

SAFETY INFORMATION



- Towel Warmers are designed to warm towels and bathrobes only and should not be used for any other purpose.
- Never stand, sit on or hang on the Towel Warmer unit.
- Never allow children to play on or with the Towel Warmer.
- Make sure that the electrical circuit breaker is shut off at the main panel before wiring or servicing your Towel Warmer.
- The Towel Warmer must be properly grounded.
- All wiring must be in accordance with the National Electrical Code and should be performed by a licensed professional who is certified to do electrical wiring.
- Never place your Towel Warmer inside a shower, sauna or steam room.
- Never attempt to warm more than 6 towels on the Towel Warmer at a time. Overloading the Towel Warmer will cause the unit to become extremely hot and may result in a burn if touched.

CLEANING INFORMATION

- Clean the Towel Warmer with a soft, non-abrasive, damp cloth while warm. Once the Towel Warmer has cooled, lightly polish with a soft dry cloth. Do not use abrasive cleaning powders, metal polish or chlorine-based cleaners on any part of the Towel Warmer.

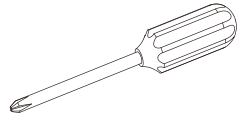
INSTALLATION

This appliance must be installed in accordance with the instructions in the manual and the NEC guidelines relating to electrical fixtures in bathrooms. The Towel Warmer must be on a GFCI protected circuit and be wired by a professional who is certified to do electrical wiring.

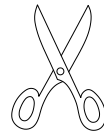
Tools required:



Pencil









Phillips screwdriver (2#)









Scissors



Drill (4.2mm)

<p>① 1PC</p>  <p>wiring</p>	<p>② 1PC</p>  <p>lower leg for plug in wire</p>	<p>③ 2PCS</p>  <p>lower legs</p>	<p>④ 2PCS</p>  <p>upper legs</p>	<p>⑤ 2PCS</p>  <p>M5x16 screw</p>	<p>⑥ 4PCS</p>  <p>screw</p>
--	--	---	---	--	--

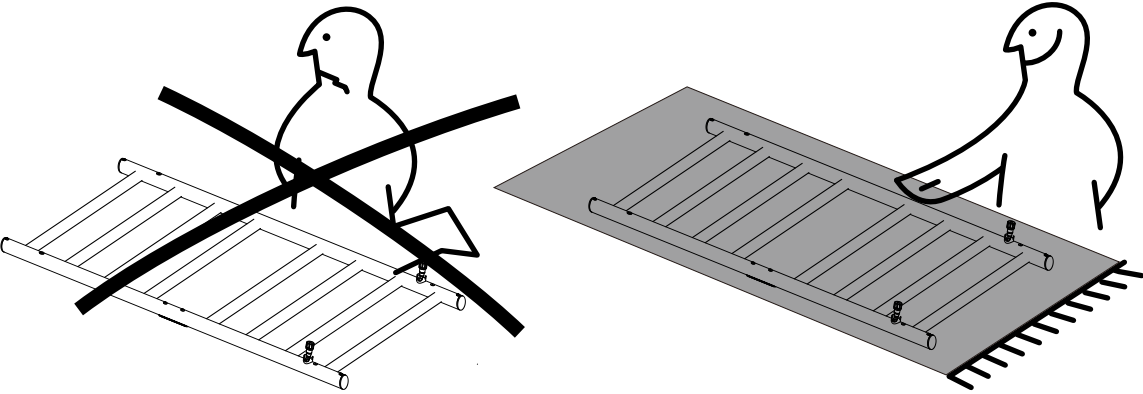
<p>⑦ 1PC</p>  <p>Allen key</p>	<p>⑧ 4PCS</p>  <p>M5x6 grub screw</p>	<p>⑨ 1PC</p>  <p>fix base for wiring</p>	<p>⑩ 3PCS</p>  <p>normal fix bases</p>	<p>⑪ 4PCS</p>  <p>ST5x45</p>	<p>⑫ 4PCS</p>  <p>D8 plastic expanders</p>
---	--	---	---	---	---

<p>⑬ 1PC</p>  <p>Wall Plate</p>	<p>⑭ 2PCS</p>  <p>screw</p>	<p>⑮ 1PCS</p>  <p>hanger</p>
--	--	---

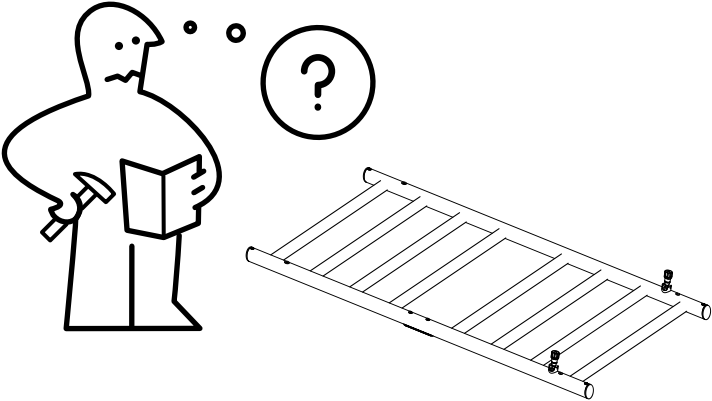
wall mounted plug-in installation:Page1~11

wall mounted hardwired installation:Page12~24

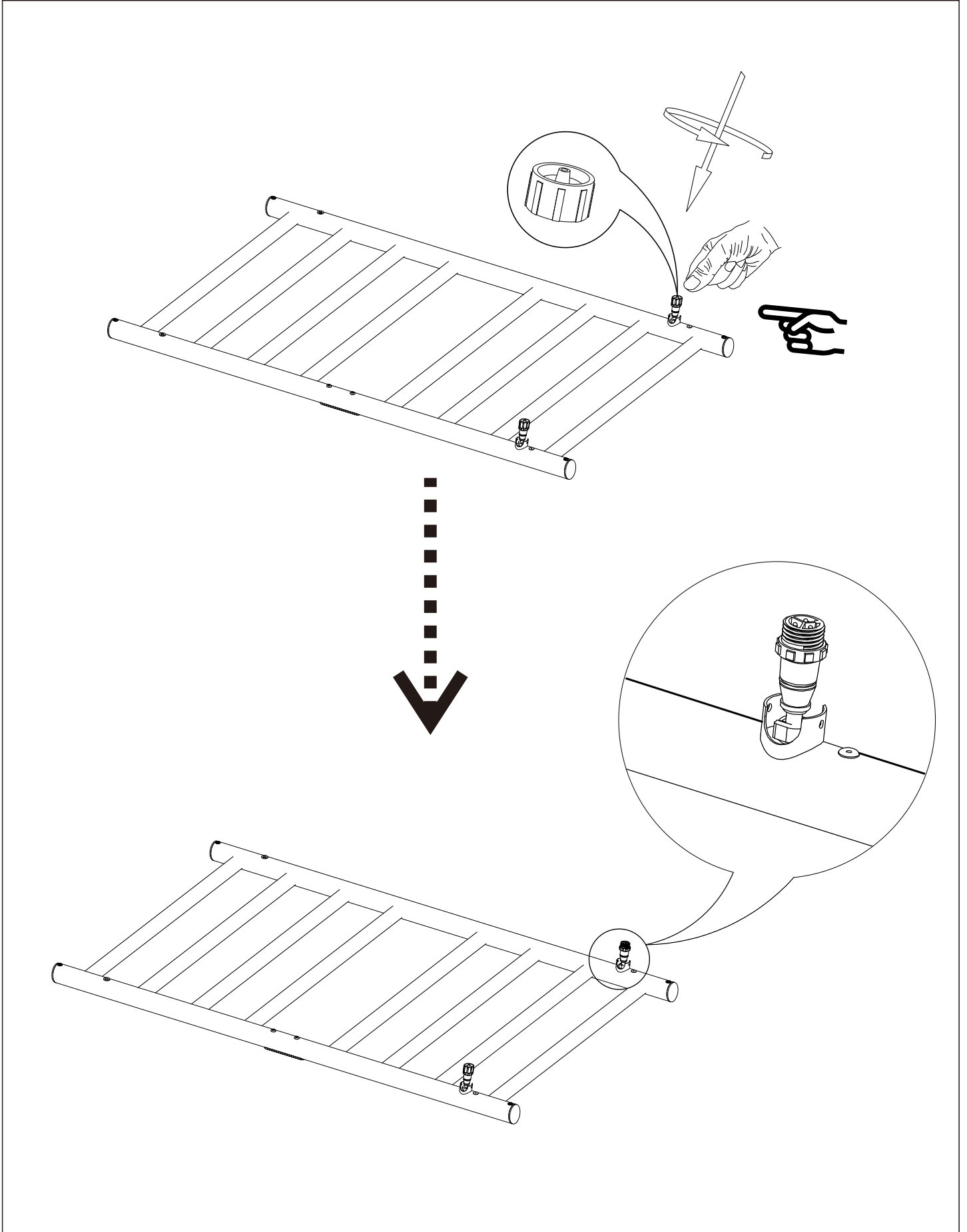
Caution:



Email: support@wohoda.com



1 wall mounted plug-in installation

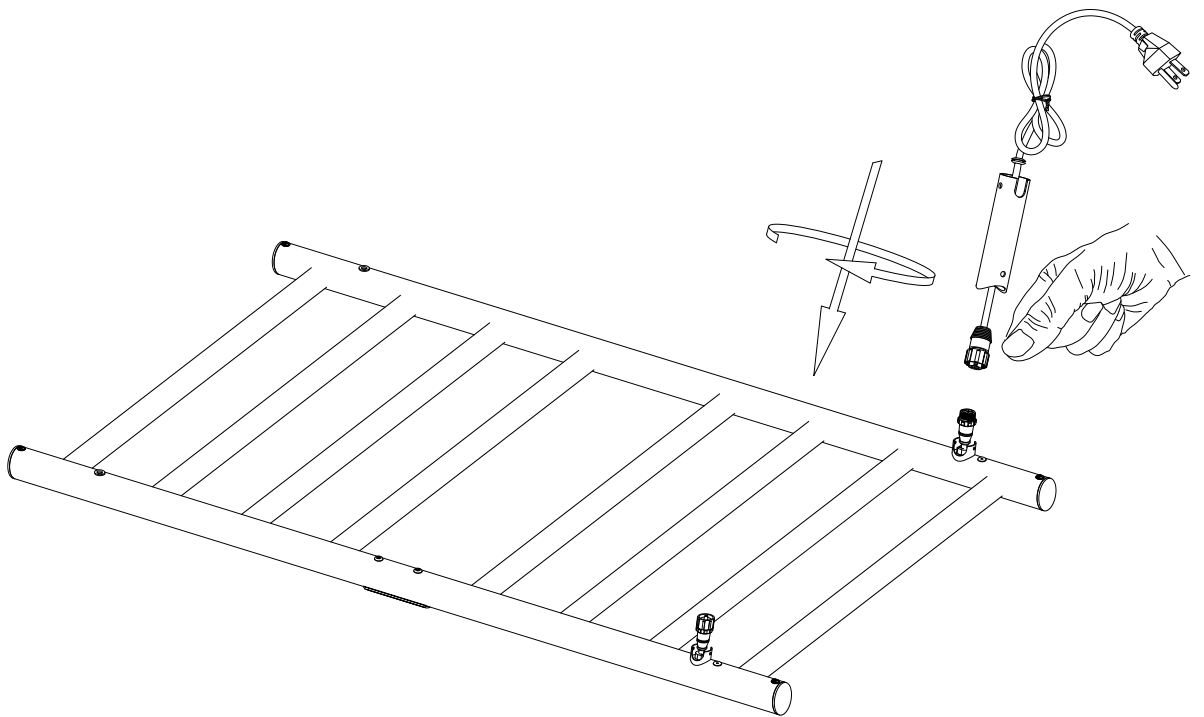
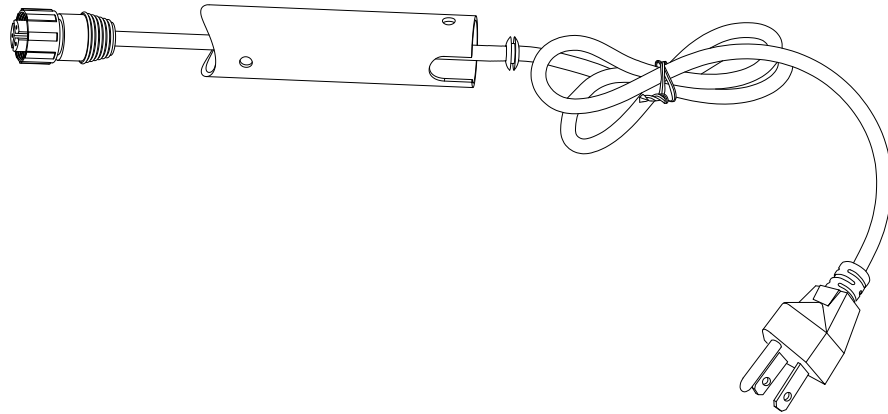


2 wall mounted plug-in installation




① 1PC

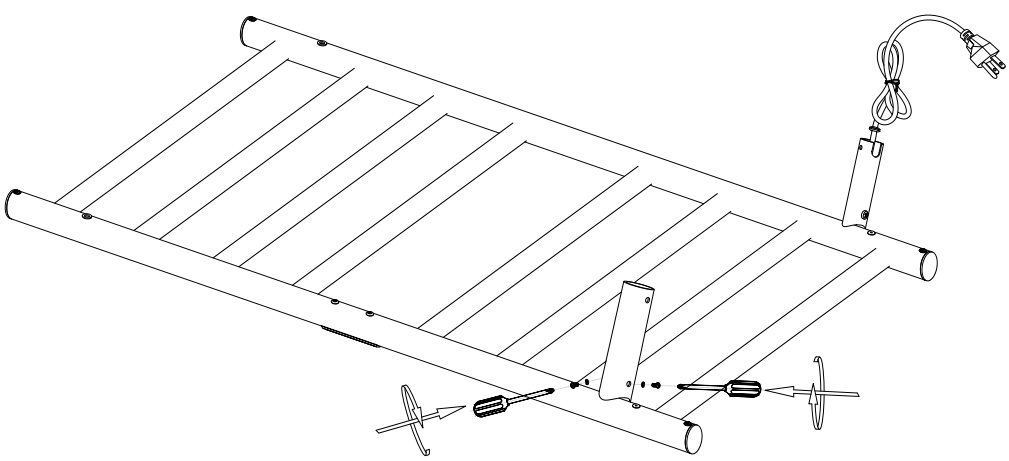
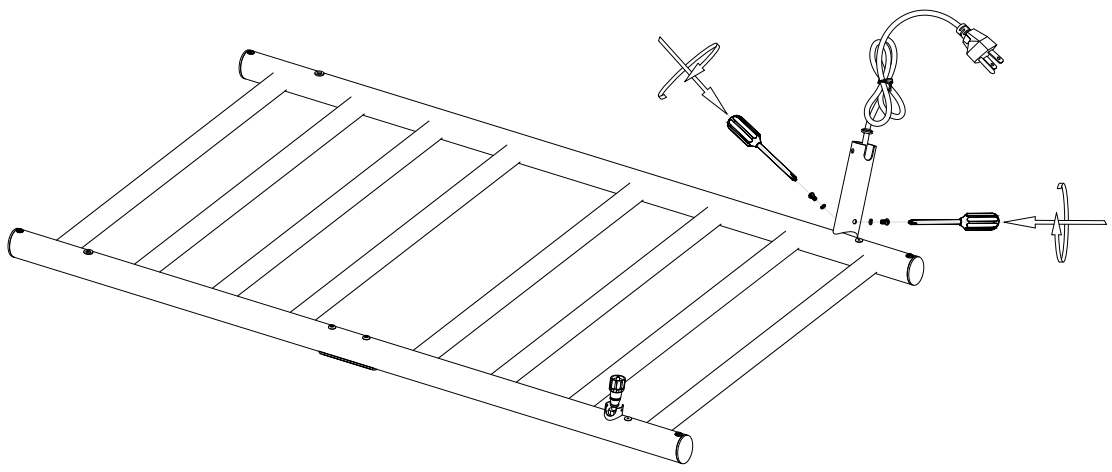


wiring





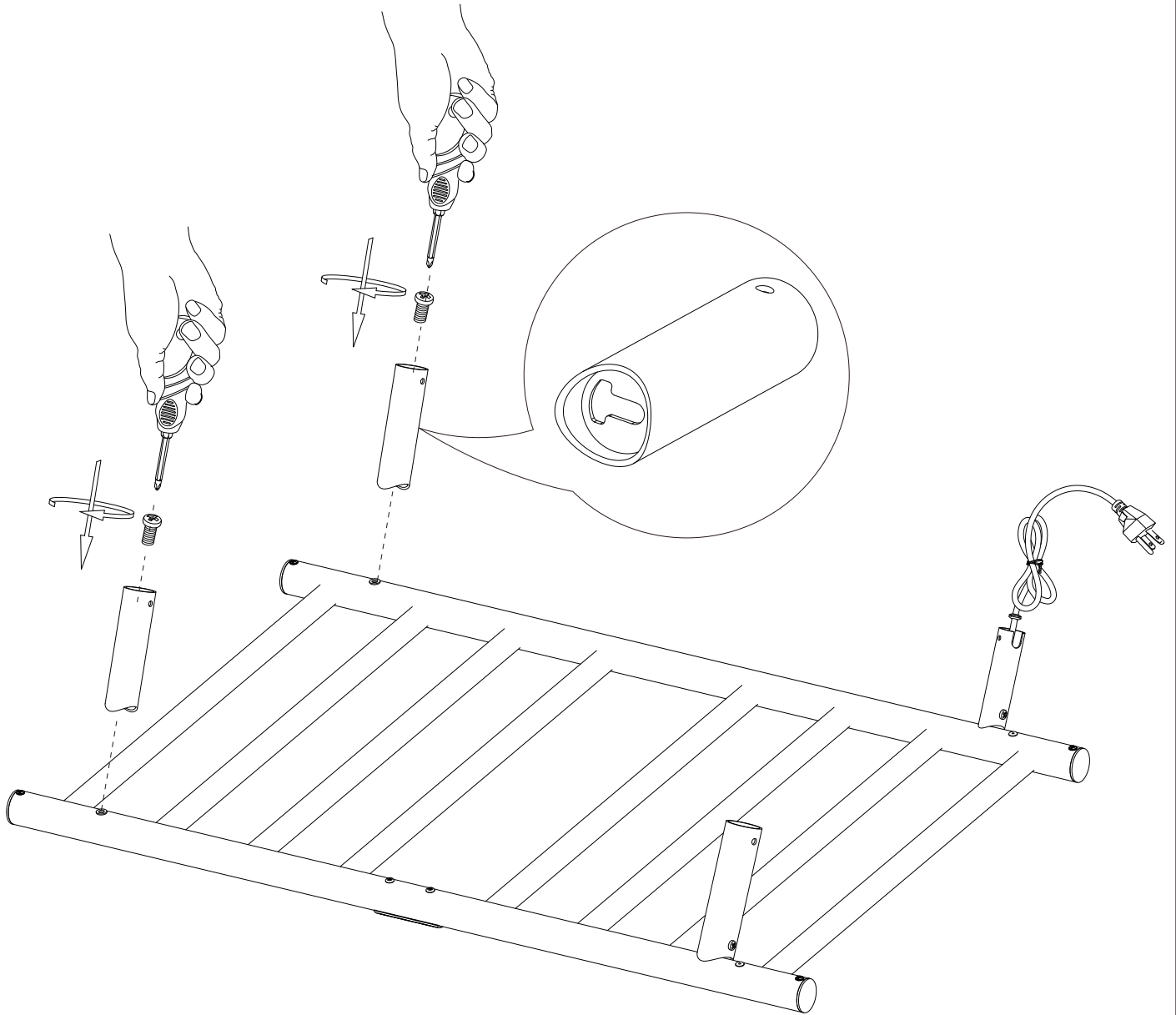
3 wall mounted plug-in installation

<p>② 1PC</p>  <p>lower leg for plug in wire</p>	<p>③ 1PC</p>  <p>lower legs</p>	<p>⑥ 4PCS</p>  <p>screw</p>
--	--	--

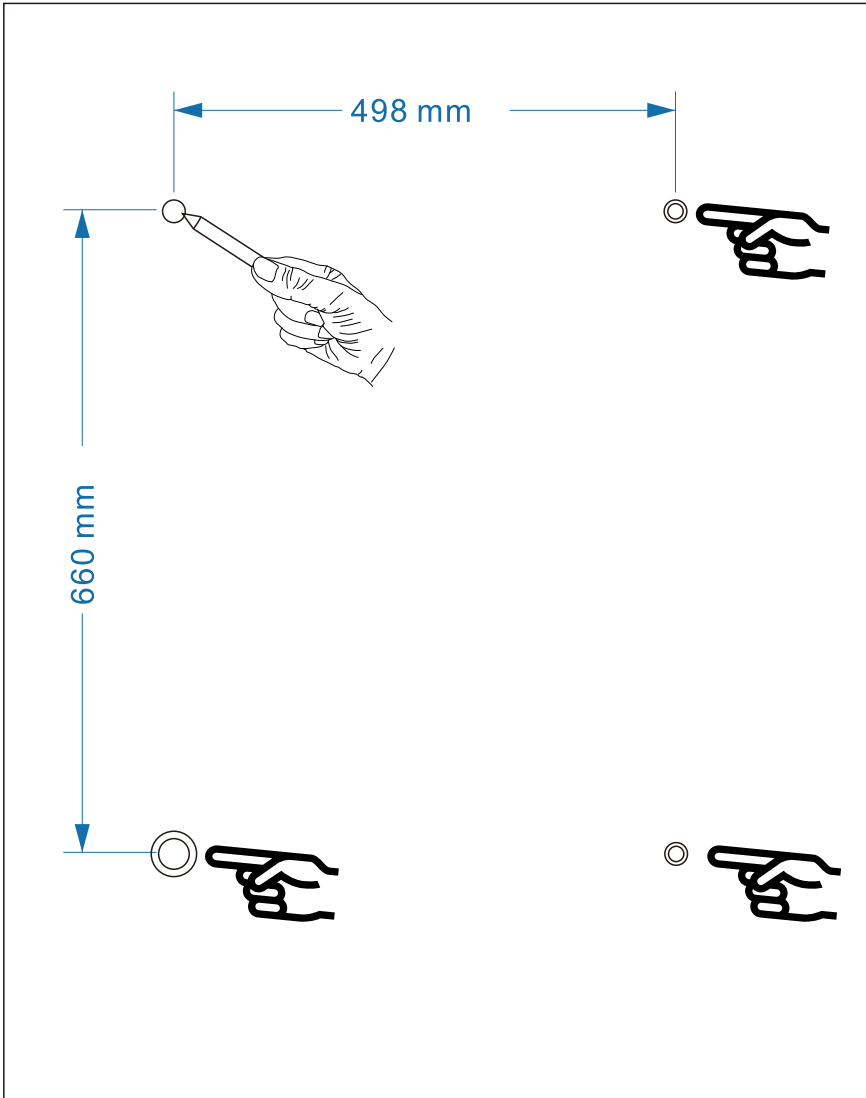


4 wall mounted plug-in installation

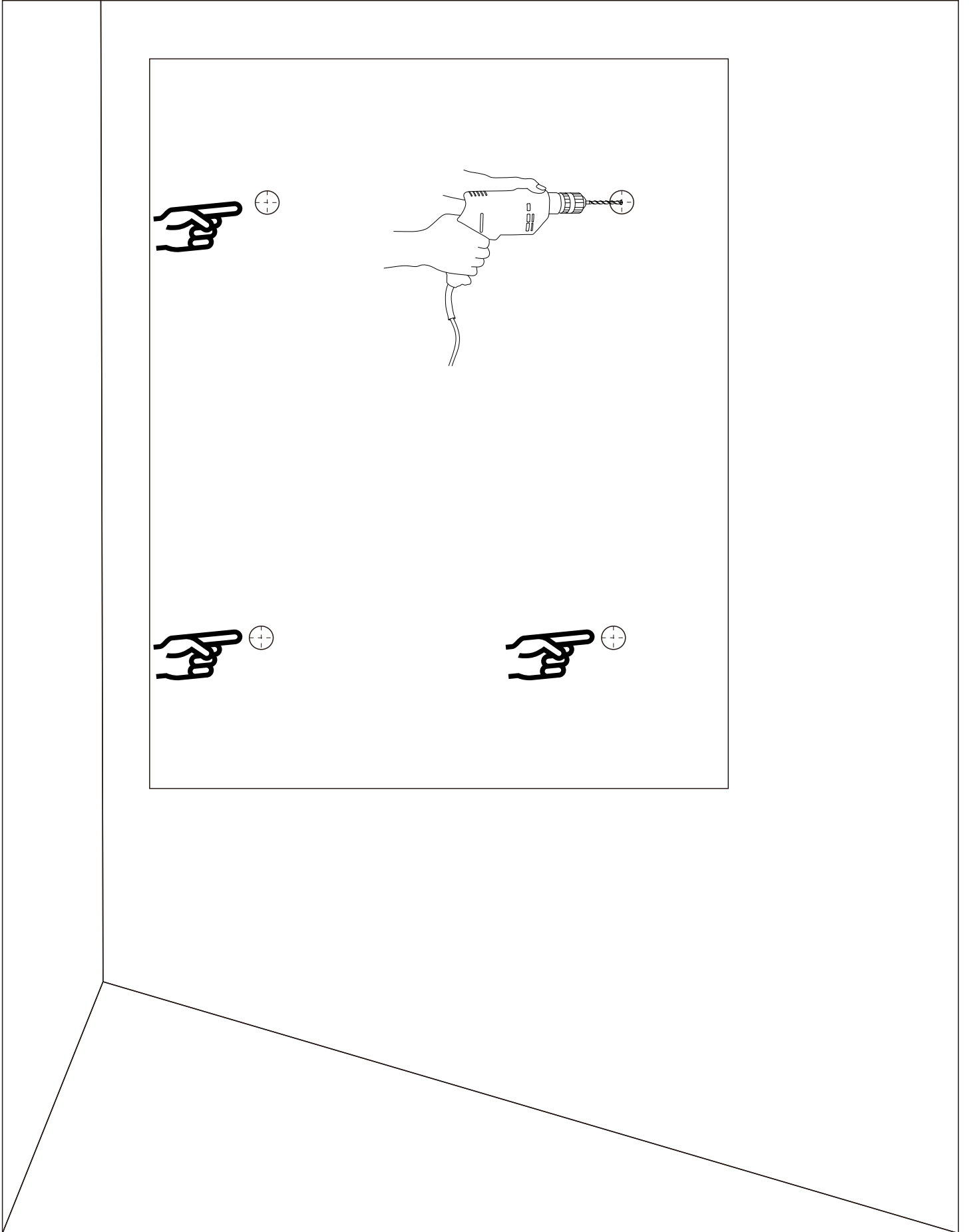
<p>④ 2PCS</p>  <p>upper legs</p>	<p>⑤ 2PCS</p>  <p>M5x16 screw</p>
---	--



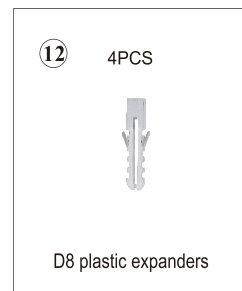
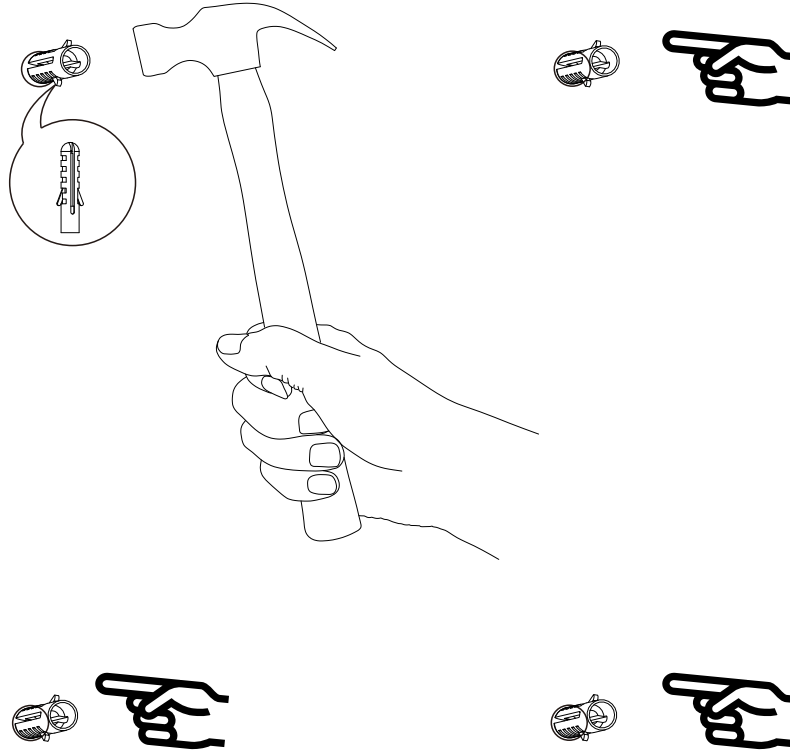
5 wall mounted plug-in installation






6 wall mounted plug-in installation

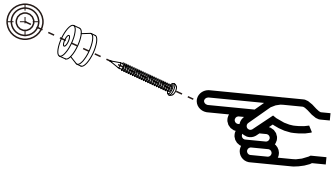
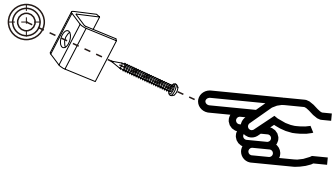
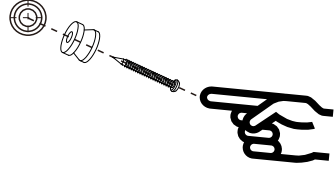
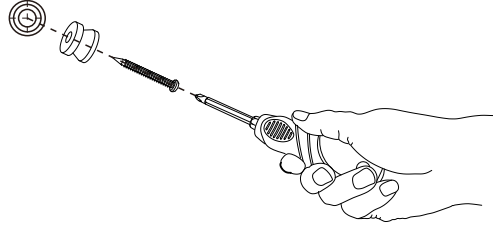


7 wall mounted plug-in installation

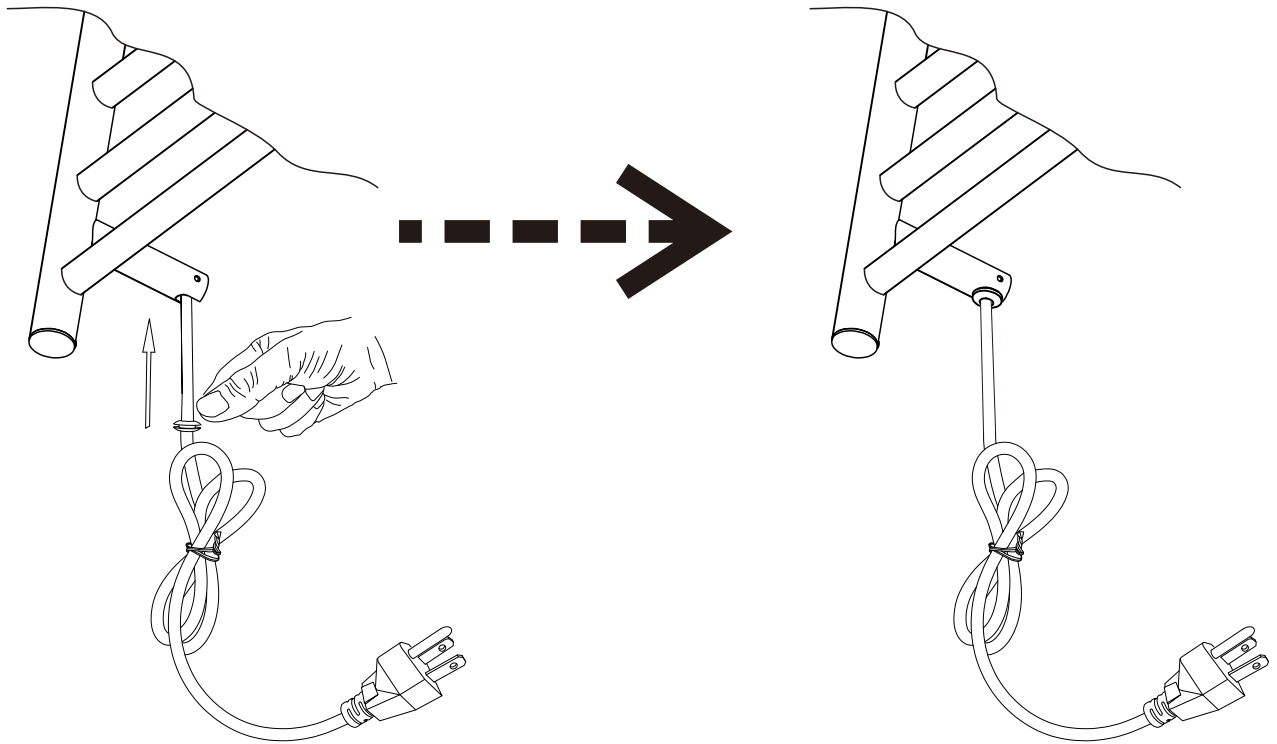


8 wall mounted plug-in installation

<p>⑨ 1PC</p>  <p>fix base for wiring</p>	<p>⑩ 3PCS</p>  <p>normal fix bases</p>	<p>⑪ 4PCS</p>  <p>ST5x45</p>
---	---	---



9 wall mounted plug-in installation



10 wall mounted plug-in installation

7 1PC

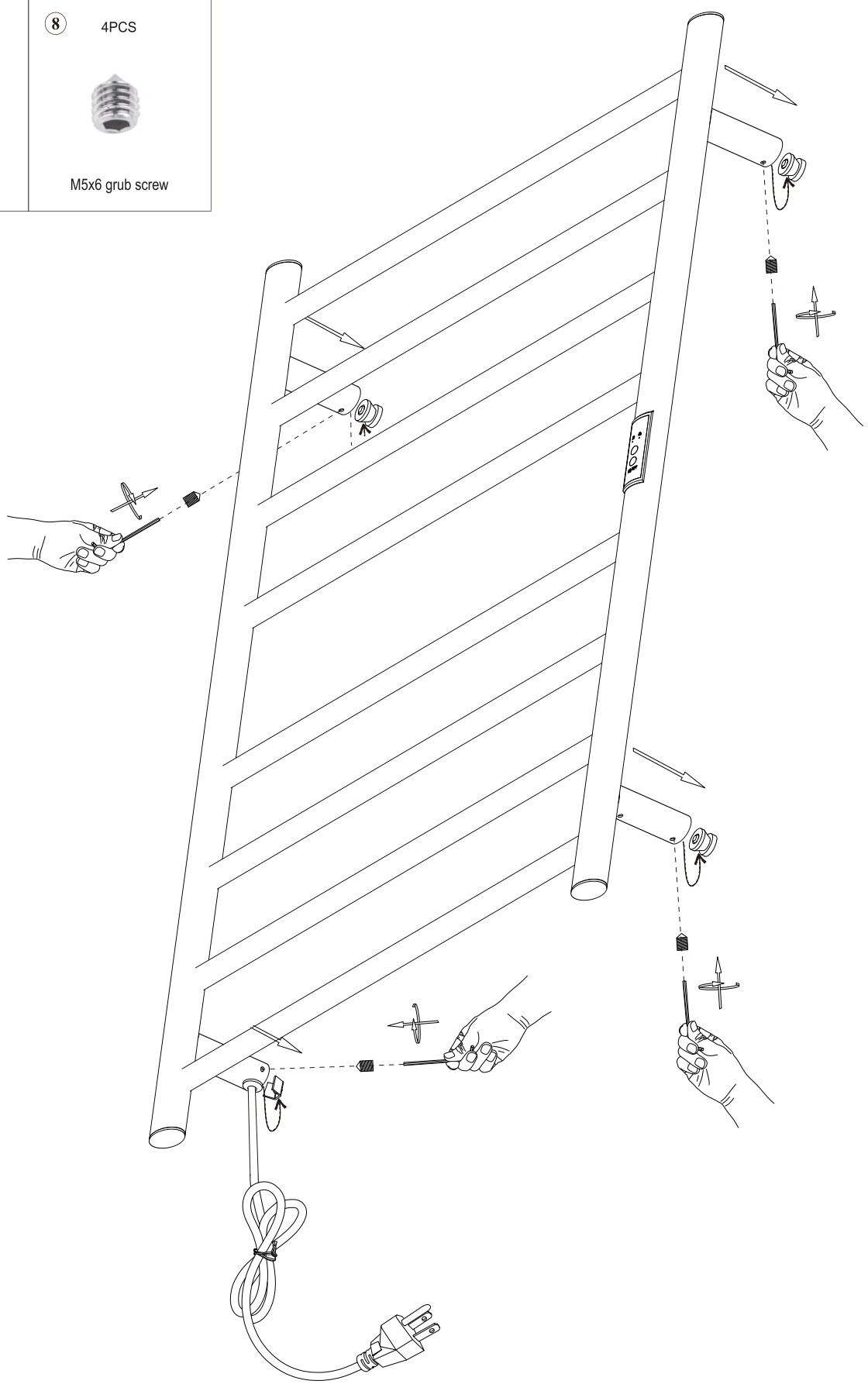


Allen key

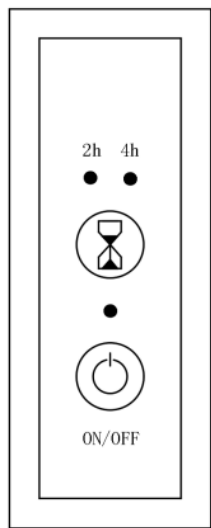
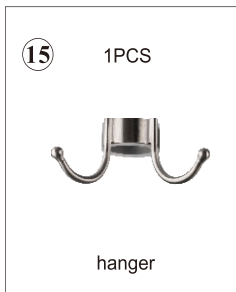
8 4PCS



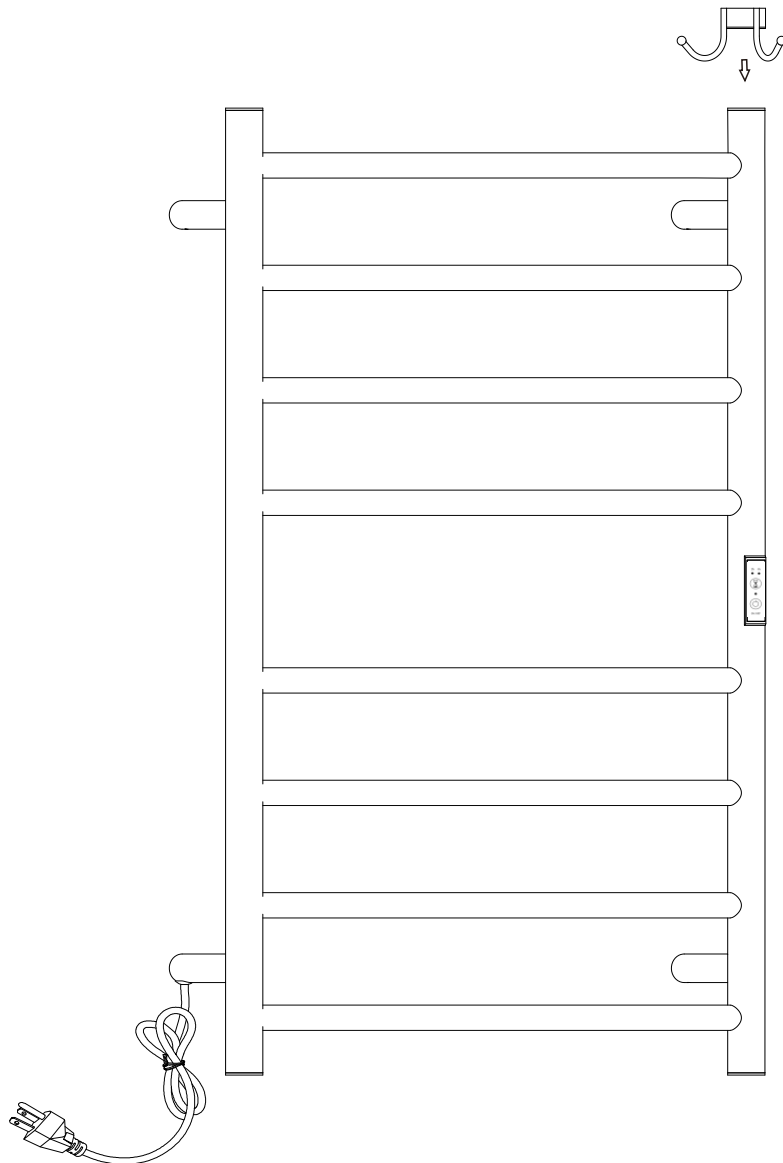
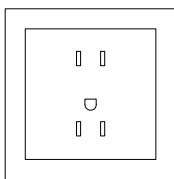
M5x6 grub screw



11 wall mounted plug-in installation



120V 60Hz



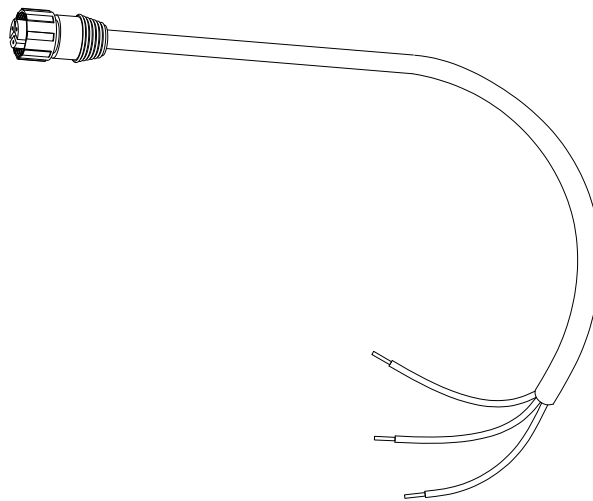
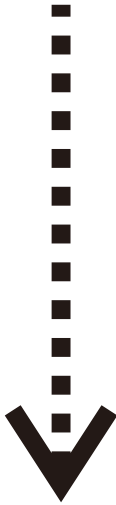
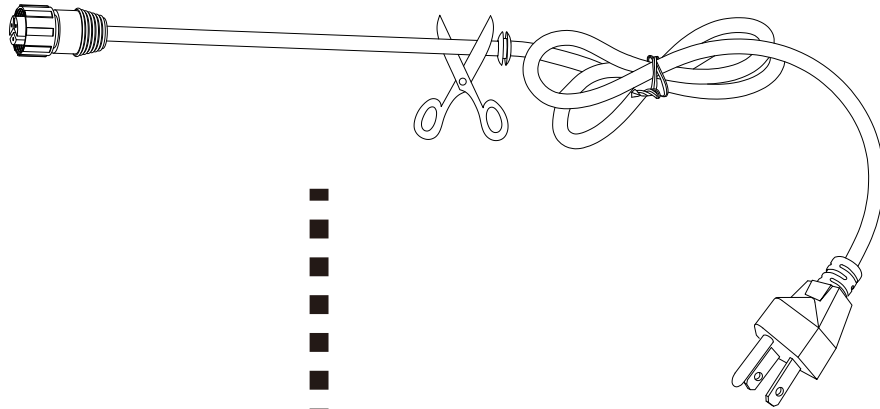
- 1, Press ON/OFF button to turn on or turn off the towel warmer.
- 2, Press timer button, the towel warmer will turn off after 2 hours when the 2h button is on, after 4 hours when the 4h button is on.

12 wall mounted hardwired installation

① 1PC

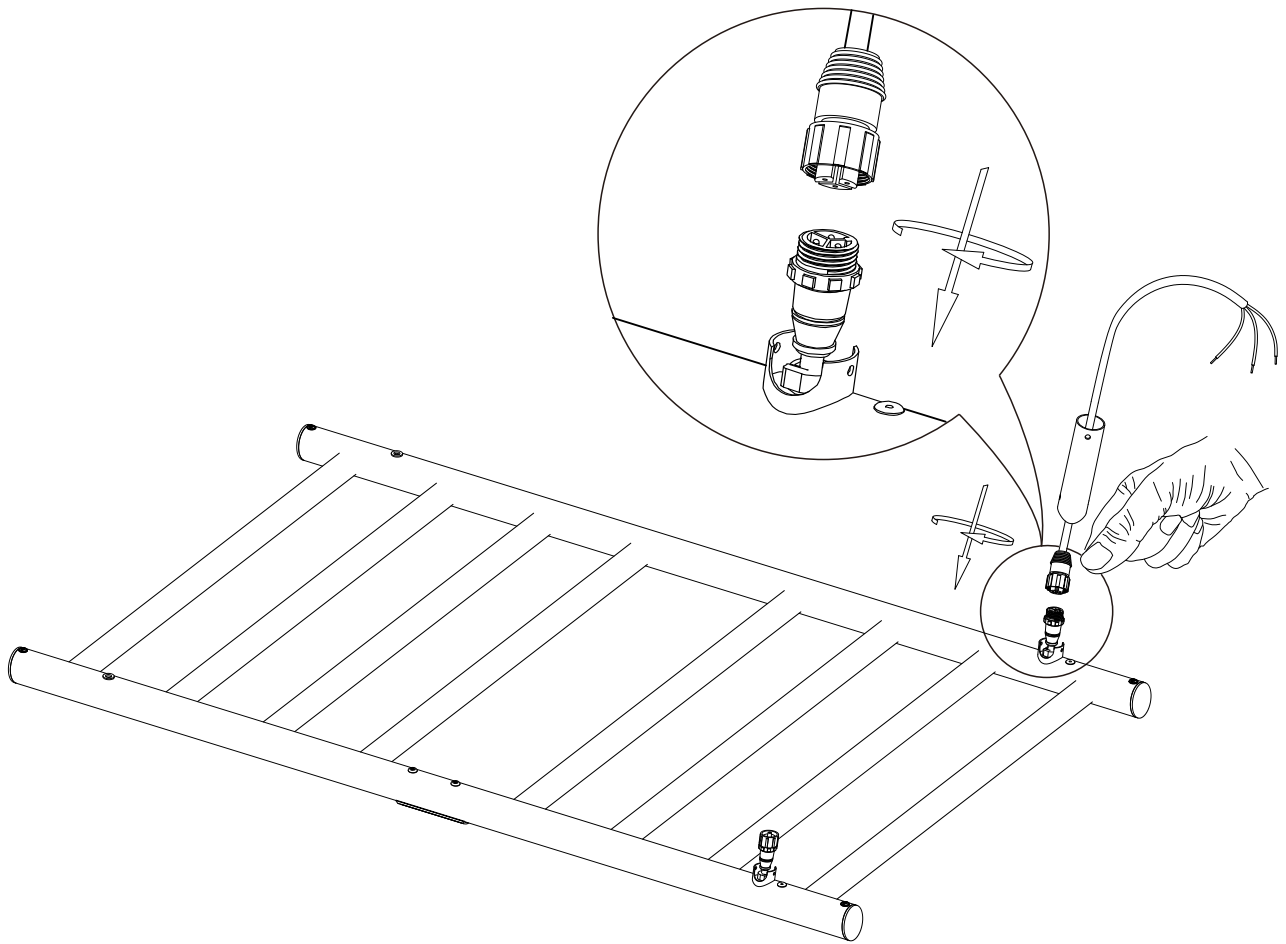


wiring



13

wall mounted hardwired installation



14

wall mounted hardwired installation

3

2PCS



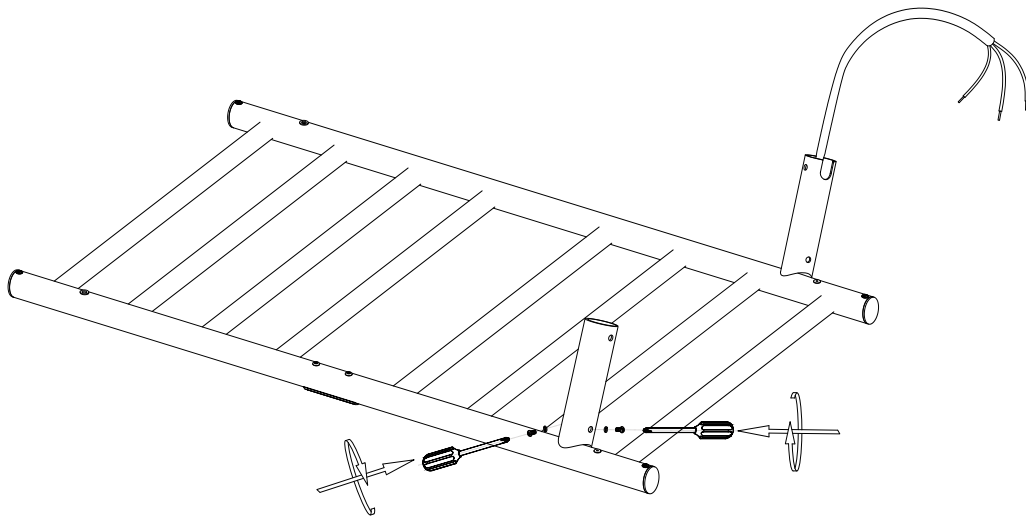
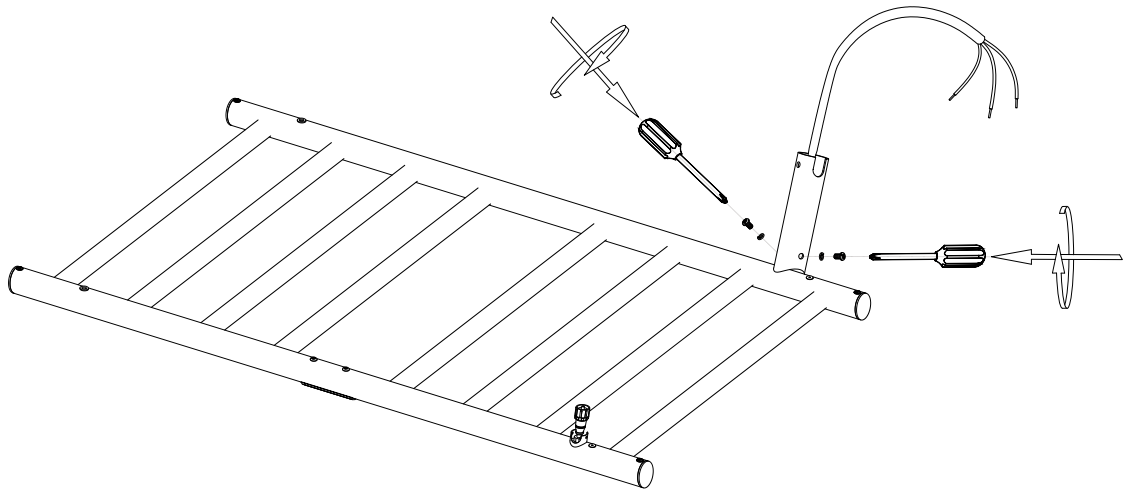
lower legs

6

4PCS





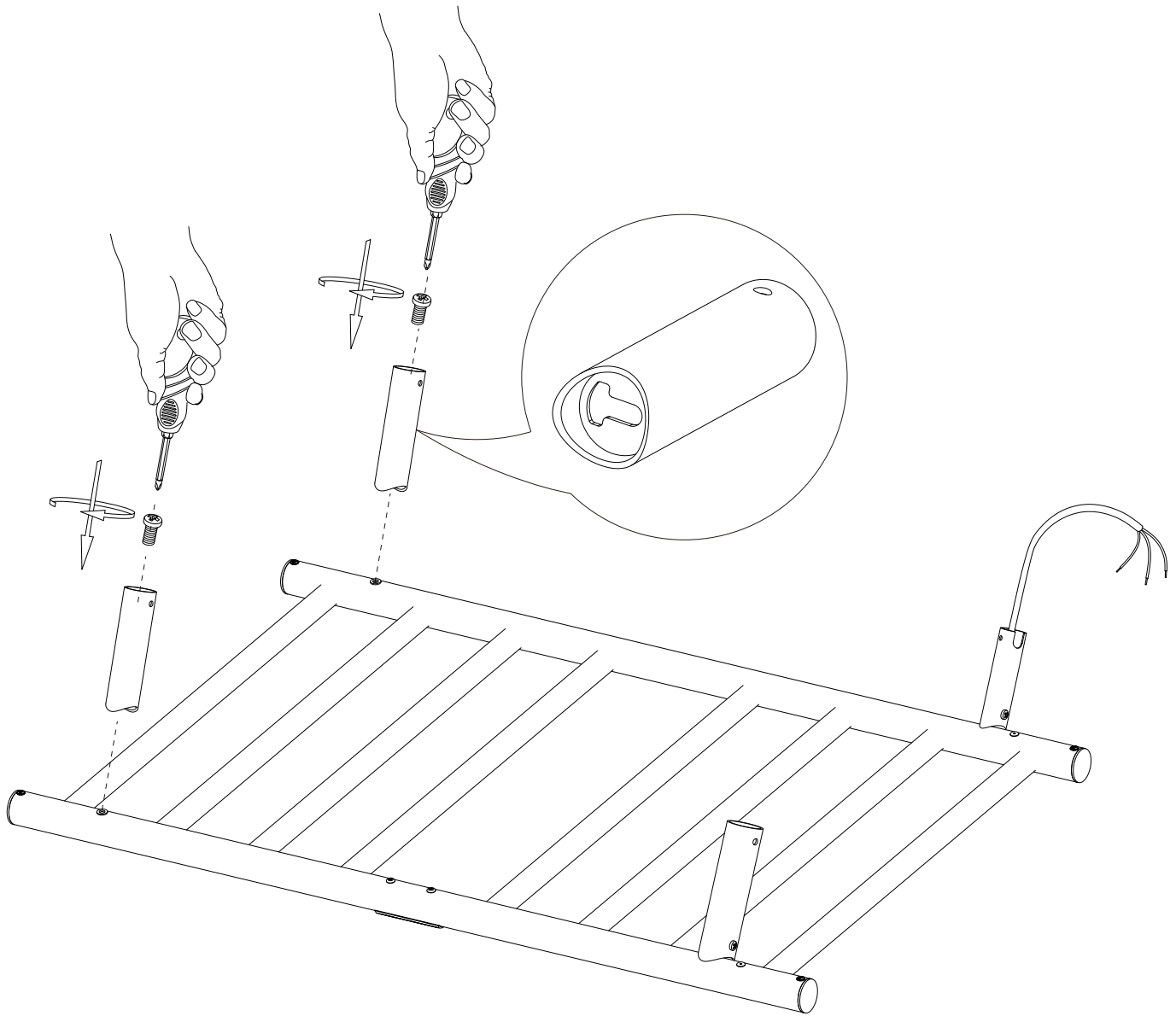
screw



15

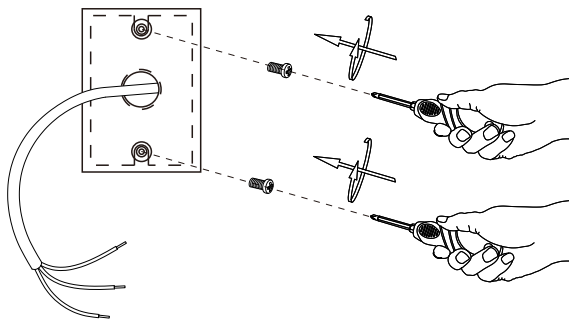
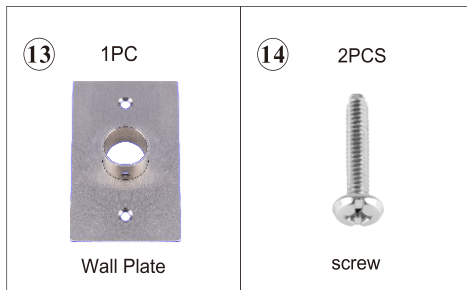
wall mounted hardwired installation

<p>④ 2PCS</p>  <p>upper legs</p>	<p>⑤ 2PCS</p>  <p>M5x16 screw</p>
---	--



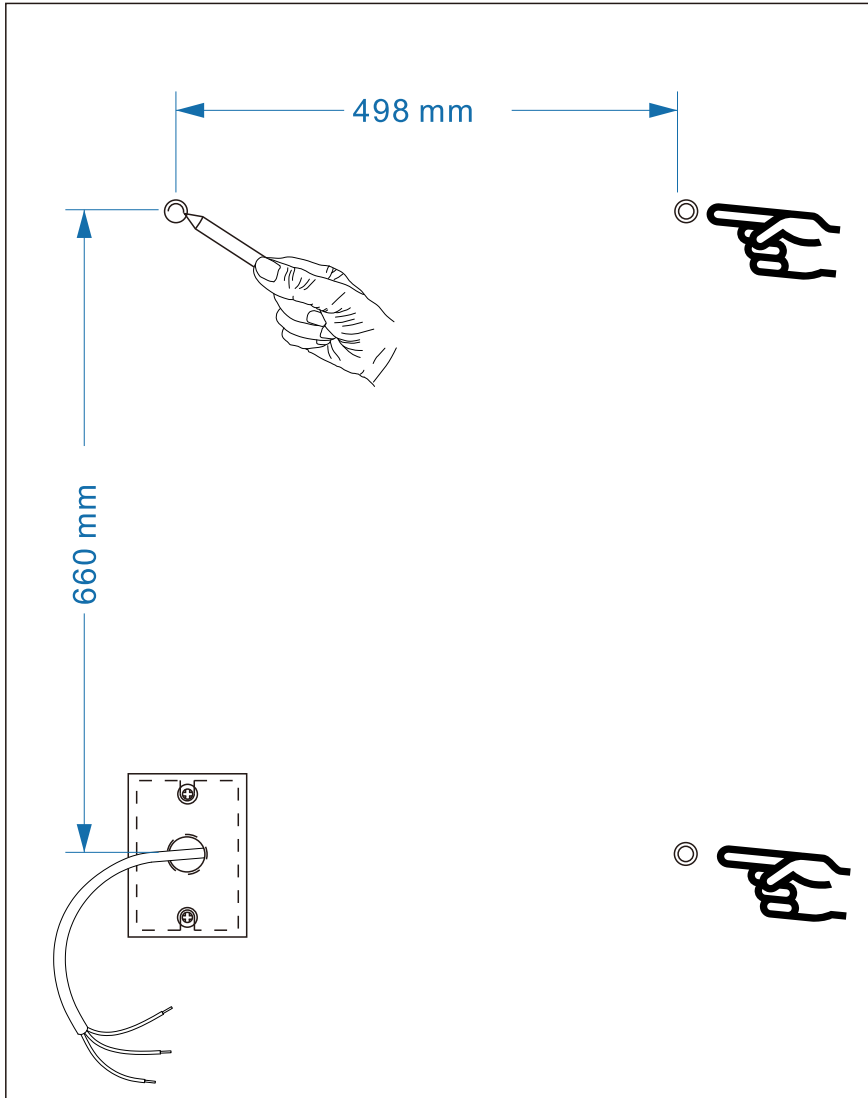
16

wall mounted hardwired installation



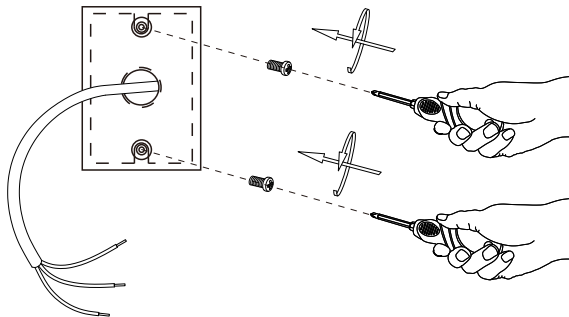
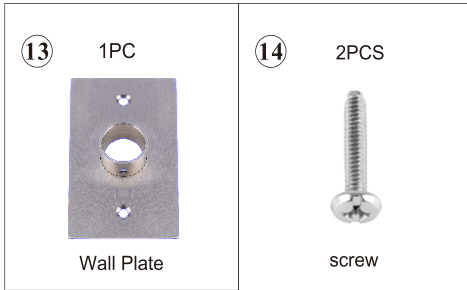
17

wall mounted hardwired installation



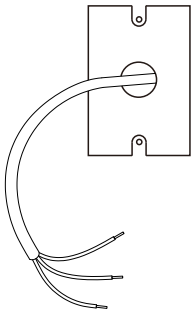
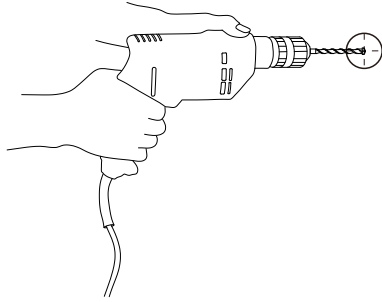
18

wall mounted hardwired installation



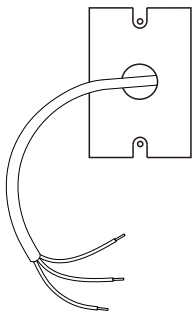
19

wall mounted hardwired installation




20

wall mounted hardwired installation





⑫ 3PCS

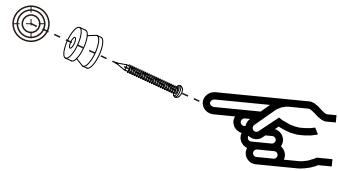
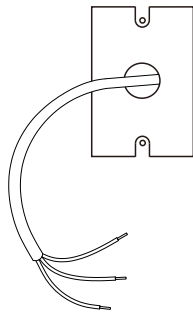
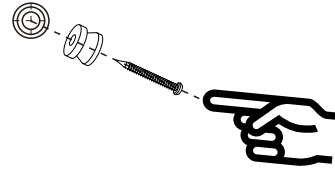
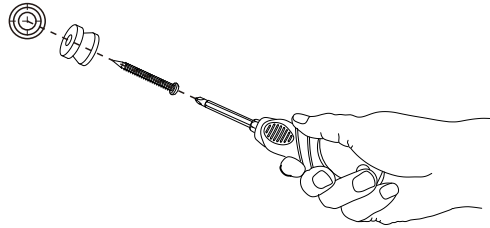


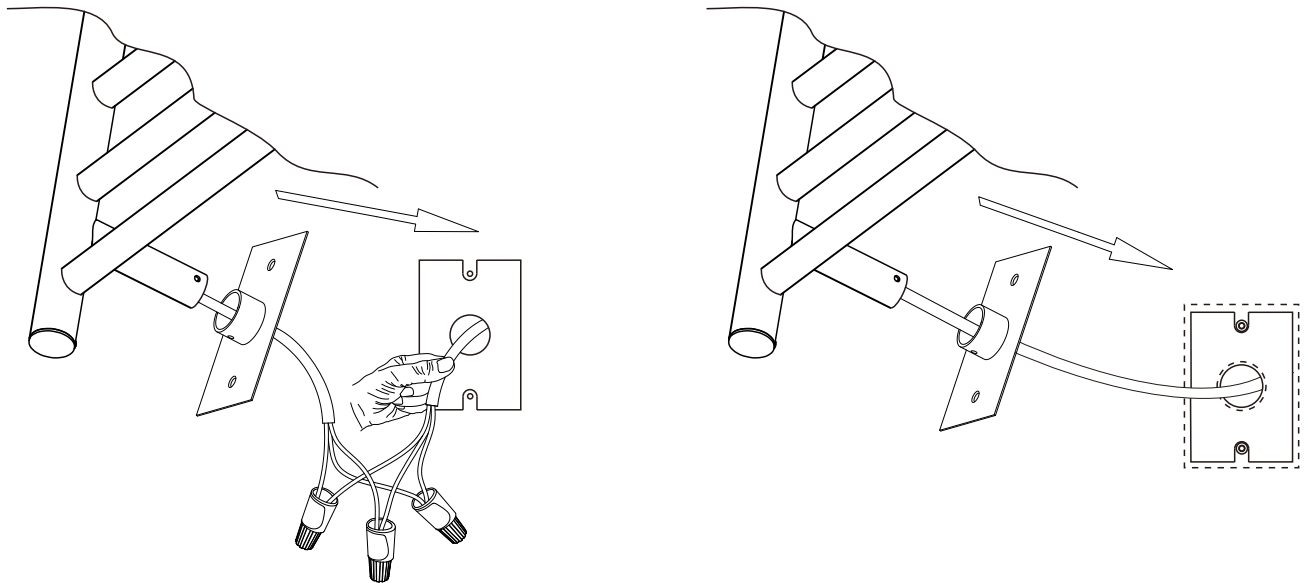
D8 plastic expanders

21




wall mounted hardwired installation

<p>⑩ 3PCS</p>  <p>normal fix bases</p>	<p>⑪ 3PCS</p>  <p>ST5x45</p>
---	---









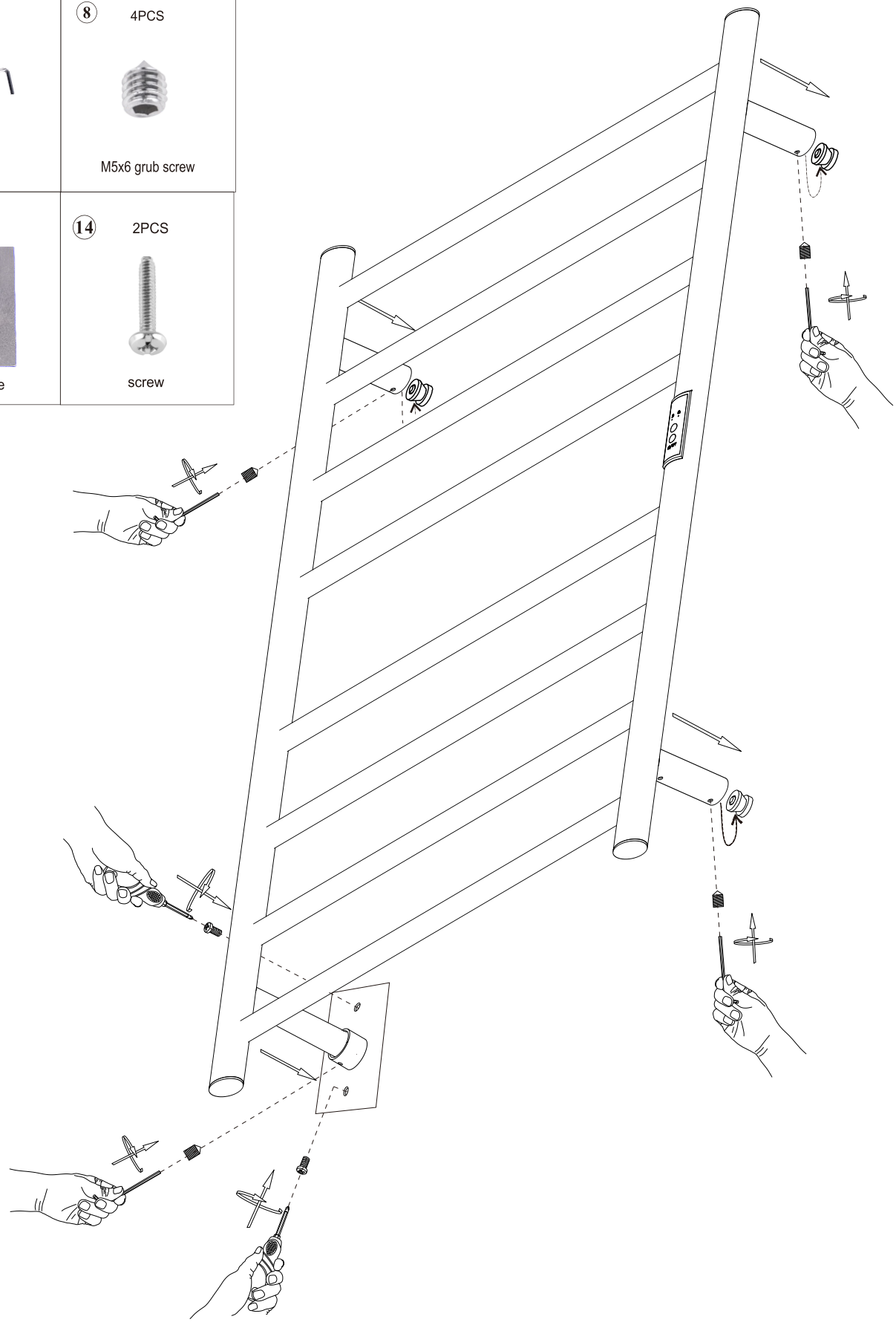
CAUTION

WHITE (OR RIBBED) WIRE		WHITE (OR RIBBED) WIRE
FROM HOUSE		FROM FIXTURE
BLACK (OR RED) WIRE		BLACK (OR SMOOTH) WIRE
FROM HOUSE		FROM FIXTURE
COPPER (GREEN) GROUND WIRE		COPPER (GREEN) GROUND WIRE
FROM HOUSE		FROM FIXTURE

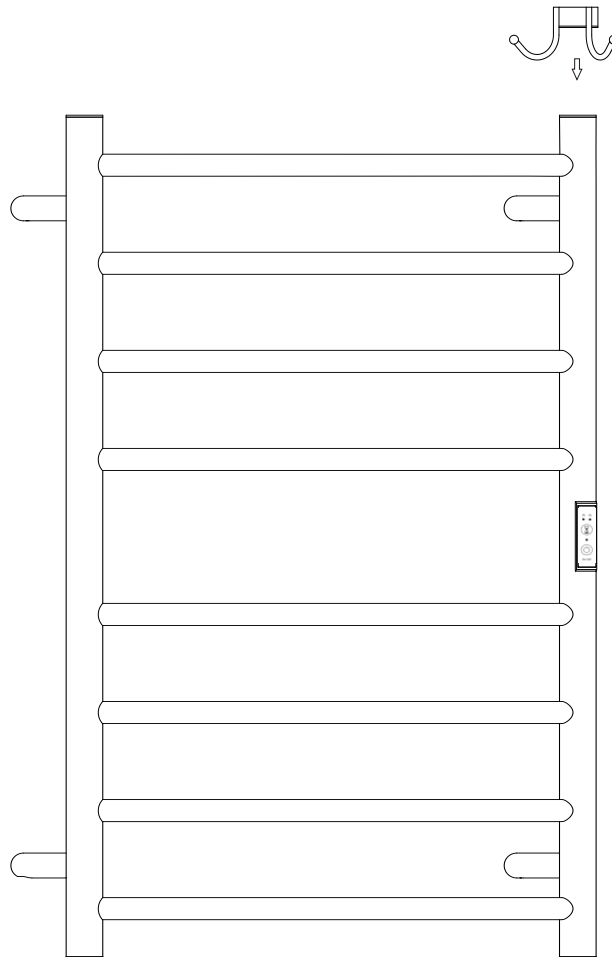
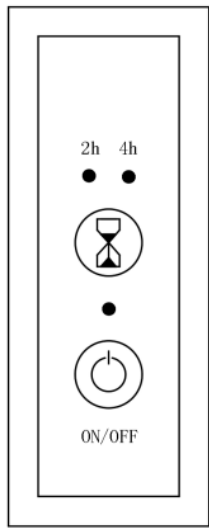
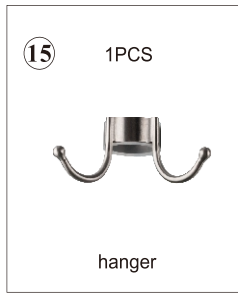
23

wall mounted hardwired installation

<p>⑦ 1PC</p>  <p>Allen key</p>	<p>⑧ 4PCS</p>  <p>M5x6 grub screw</p>
<p>⑬ 1PC</p>  <p>Wall Plate</p>	<p>⑭ 2PCS</p>  <p>screw</p>



24 wall mounted hardwired installation



- 1, Press ON/OFF button to turn on or turn off the towel warmer.
- 2, Press timer button, the towel warmer will turn off after 2 hours when the 2h button is on, after 4 hours when the 4h button is on.

PRODUCT WARRANTY

Nortta Bath Decor warrants the Nortta Towel Warmers (“the Product”) to be free from defects in materials and workmanship for two years from the date of sale, provided that the Product is installed by following the accompanying Installation and Operation Manual, and any special written design or installation guidelines provided by Nortta Bath Decor for this product, the National Electric Code (NEC), and all applicable local building and electrical codes. This warranty is null and void if the Product is improperly installed, improperly operated, or abused.

Nortta Bath Decor assumes no responsibility under this warranty for any damage to the product caused by any trades person, or visitor on the job site, or damage caused as a result of post installation work.

Under this Limited Warranty, Nortta Bath Decor will provide the following remedy: If the Product is determined to be defective in materials and workmanship, and has not been damaged as a result of misuse or misapplication, Nortta Bath Decor will refund the original purchase price or replace the Product, at Nortta Bath Decor expense. Nortta Bath Decor will not be liable for the labor required to replace the Product.

The Limited Warranty is null and void if the project owner or his representative attempts to repair the Product without receiving authorization. Upon notification of a real or possible problem, Nortta Bath Decor will issue an Authorization to Proceed under the terms of the Limited Warranty.

NORTTA BATH DECOR DISCLAIMS ANY WARRANTY NOT PROVIDED HEREIN, INCLUDING ANY IMPLIED WARRANTY OF MERCHANTABILITY OR IMPLIED WARRANTY OF FITNESS FOR A PARTICULAR PURPOSE. NORTTA BATH DECOR FURTHER DISCLAIMS ANY RESPONSIBILITY FOR SPECIAL, INDIRECT, SECONDARY, INCIDENTAL, OR CONSEQUENTIAL DAMAGES ARISING FROM OWNERSHIP OR USE OF THIS PRODUCT, INCLUDING INCONVENIENCE OR LOSS OF USE. THERE ARE NO WARRANTIES WHICH EXTEND BEYOND THE FACE OF THIS DOCUMENT. NO AGENT OR REPRESENTATIVE OF NORTTA BATH DECOR HAS ANY AUTHORITY TO EXTEND OR MODIFY THIS WARRANTY UNLESS SUCH EXTENSION OR MODIFICATION IS MADE IN WRITING BY A CORPORATE OFFICER.