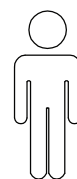
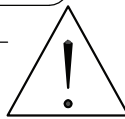
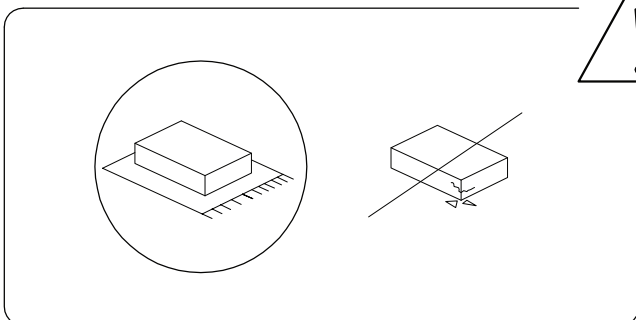
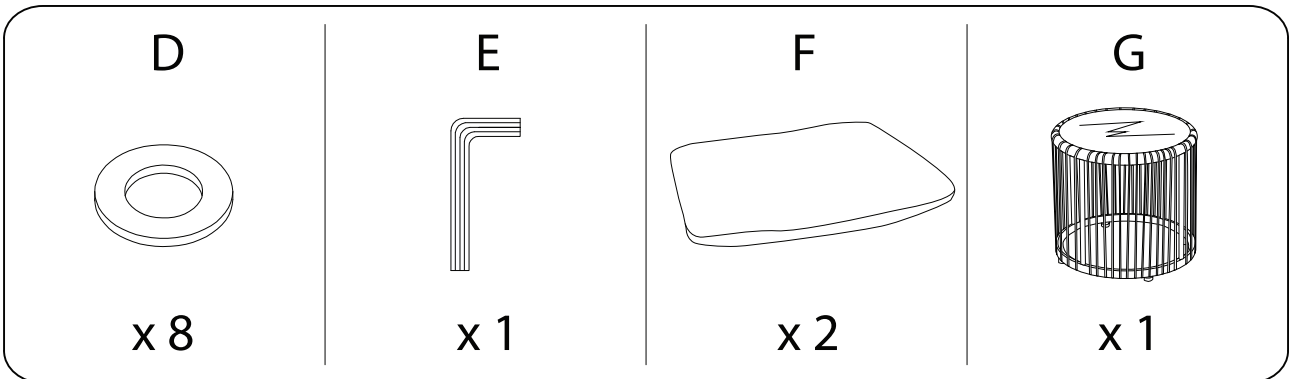
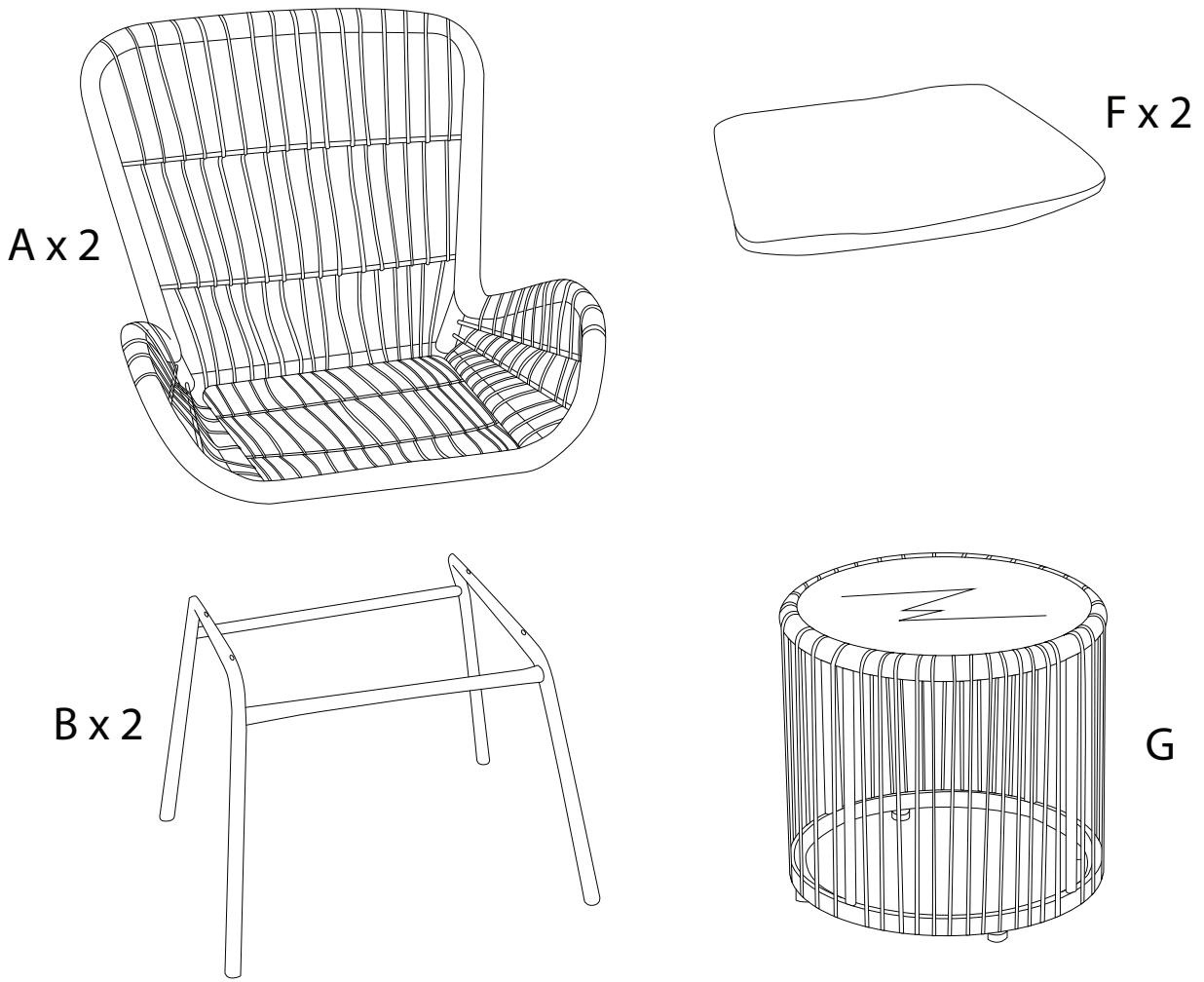
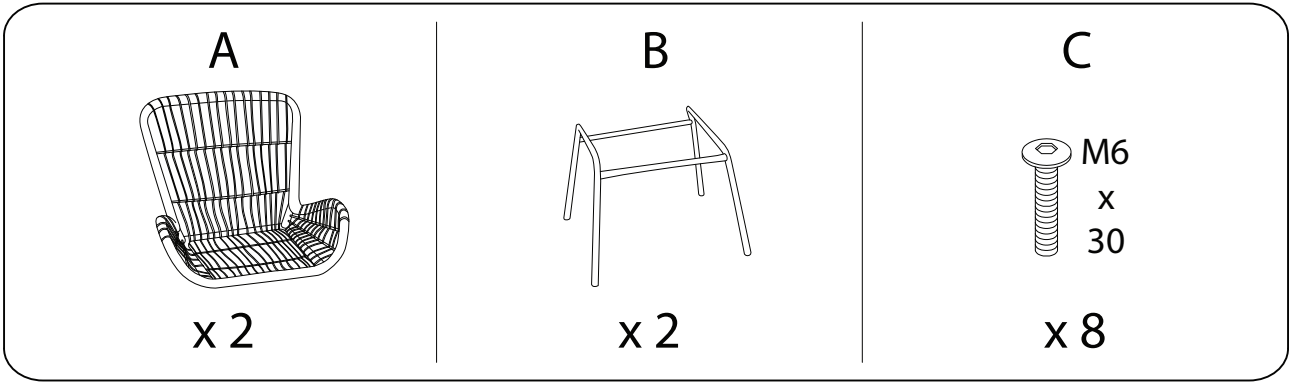





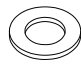
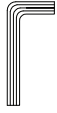
30'

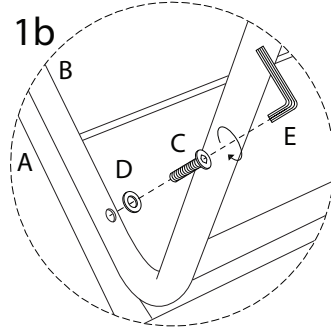
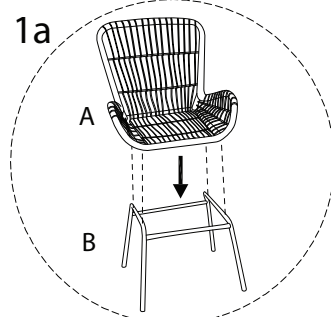
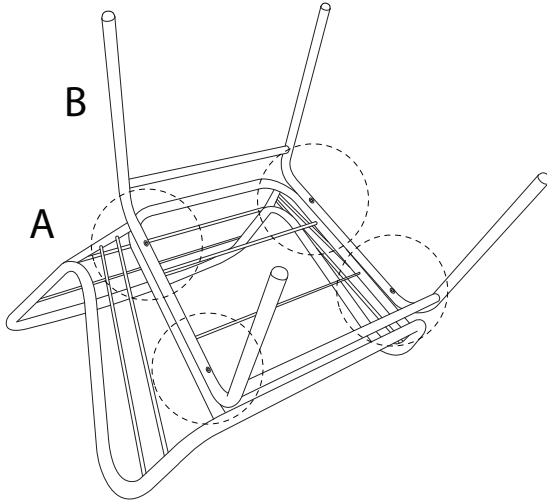


1




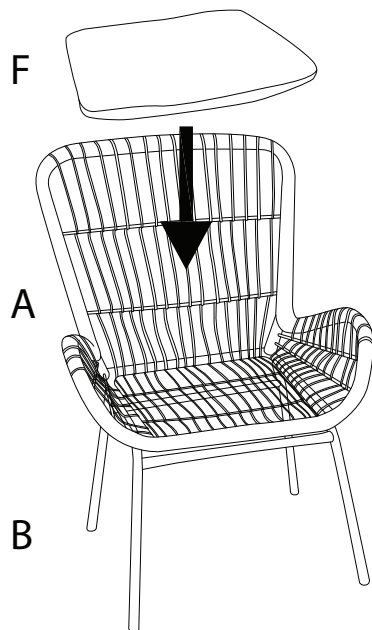
1 x 2

 A x 1	 B x 1	 C M6 x 30 x 4	 D x 4	 E x 1
---	---	--	---	---



2 x 2

 F x 1
--



3

G



x 1

