

STORAGE CABINET

User Manual

INTRODUCTION

Thank you for choosing the Storage Cabinet. Please read this user manual carefully and keep it for future reference. If you need any assistance, please contact us by email with your order number and details.


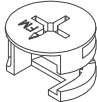


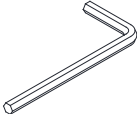
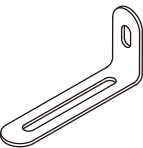

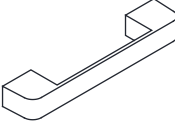

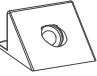
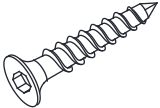

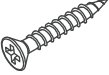


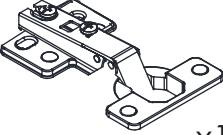

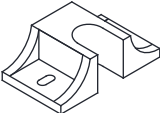
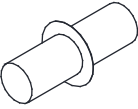
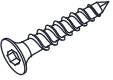
PACKAGE CONTENTS

- Storage Cabinet
- Pack of Accessories
- User Manual

PRODUCT CARE

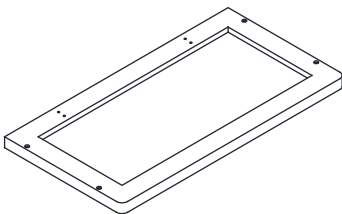
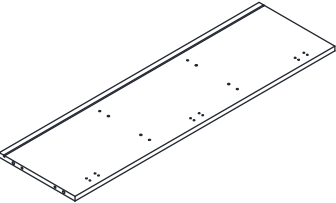
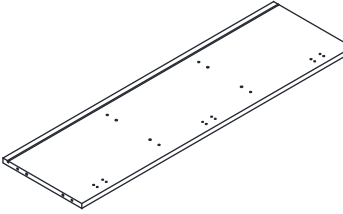
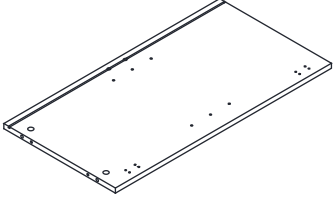
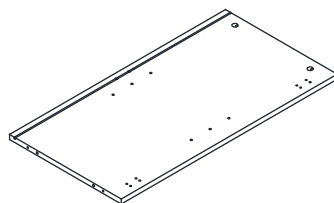
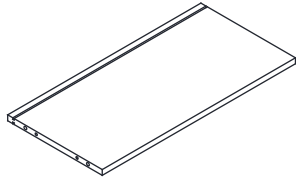
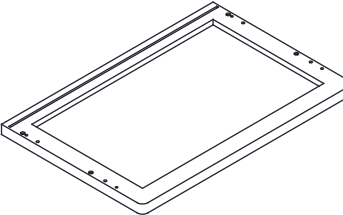
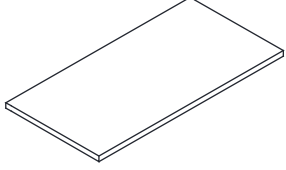
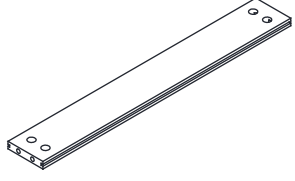
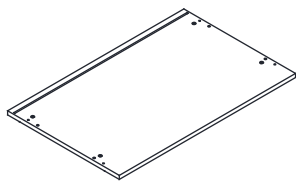
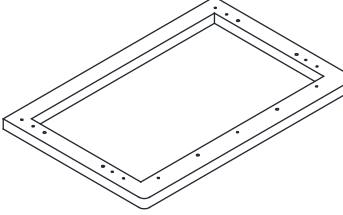
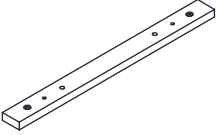
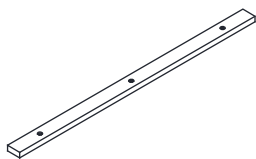
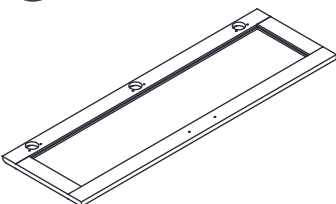
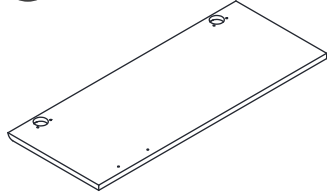
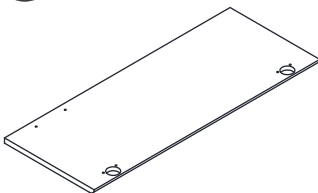
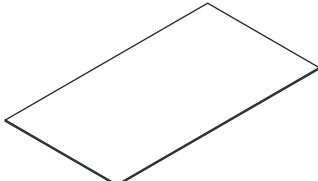
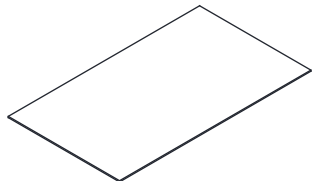
- Please follow the instruction to assemble this item correctly.
- Don't make the screws be too loose or too tight.
- Please put the screws into the holes' position just as shown in the arrows of the image, and then clockwise rotate 90° or 180°
- The fittings pack contains small accessories that should be kept away from small children.

HARDWARE SUPPLIED

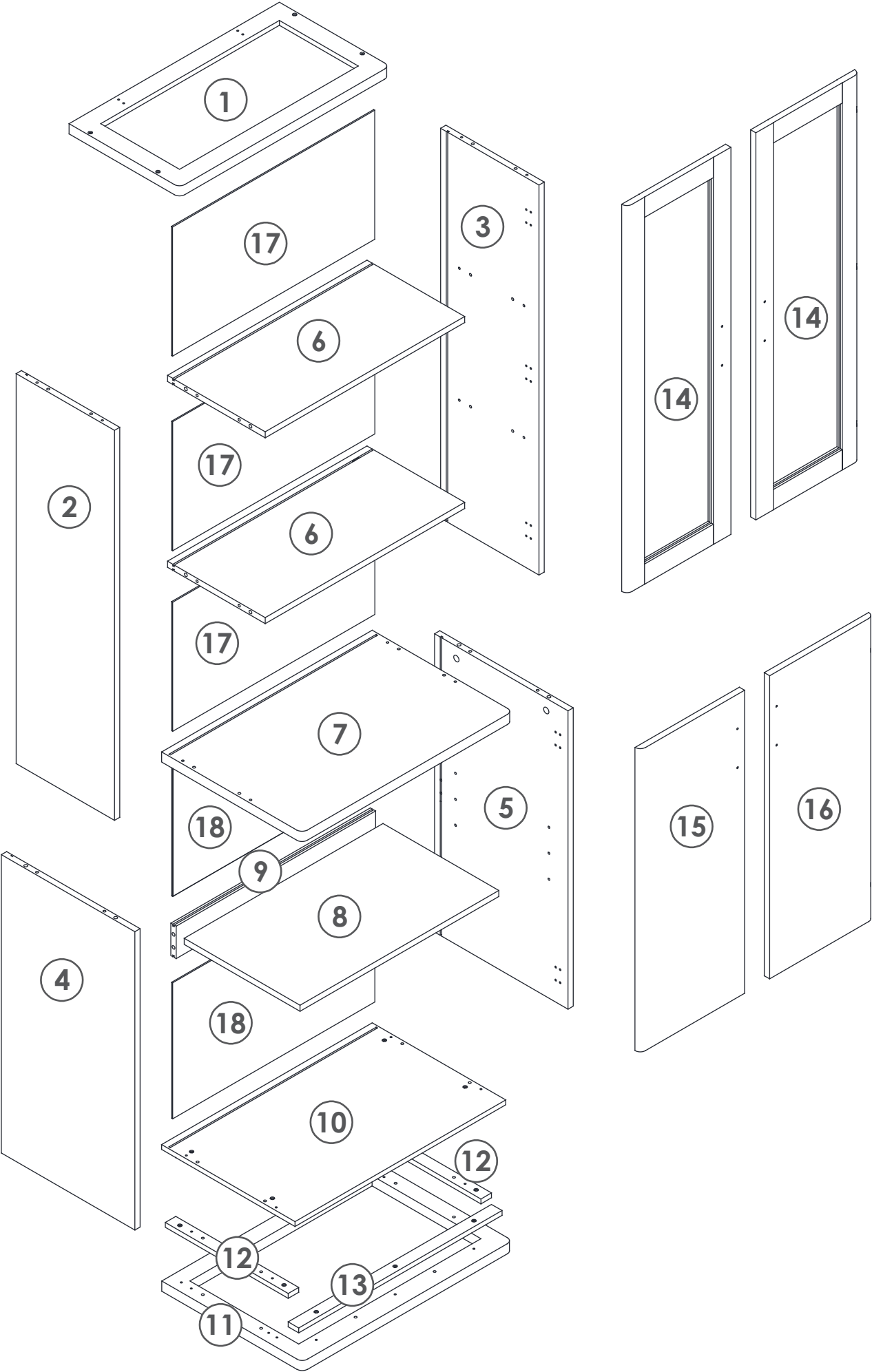
A  x16	B  x16	C M6*30mm  x30	D M3*14mm  x22	E M4  x1
F F1  x2	F2 M4*12mm  x4	G  x4	H φ20mm  x12	I  x20
J M5*50mm  x12	K K1  x2	K2 M4*35mm  x2	L M4*25mm  x7	M M3.5*14mm  x60
N  x10	O M4*20mm  x8	P  x1	Q  x4	R M5*35mm  x4

PARTS LIST

Unit: (mm)

<p>① 600*315</p>  <p>x1</p>	<p>② 960*280</p>  <p>x1</p>	<p>③ 960*280</p>  <p>x1</p>	<p>④ 735*380</p>  <p>x1</p>
<p>⑤ 735*380</p>  <p>x1</p>	<p>⑥ 568*278</p>  <p>x2</p>	<p>⑦ 600*400</p>  <p>x1</p>	<p>⑧ 568*350</p>  <p>x1</p>
<p>⑨ 568*80</p>  <p>x1</p>	<p>⑩ 600*380</p>  <p>x1</p>	<p>⑪ 600*400</p>  <p>x1</p>	<p>⑫ 340*40</p>  <p>x2</p>
<p>⑬ 580*40</p>  <p>x1</p>	<p>⑭ 954*298</p>  <p>x2</p>	<p>⑮ 747*298</p>  <p>x1</p>	<p>⑯ 747*298</p>  <p>x1</p>
<p>⑰ 576*318</p>  <p>x3</p>	<p>⑱ 576*337</p>  <p>x2</p>		

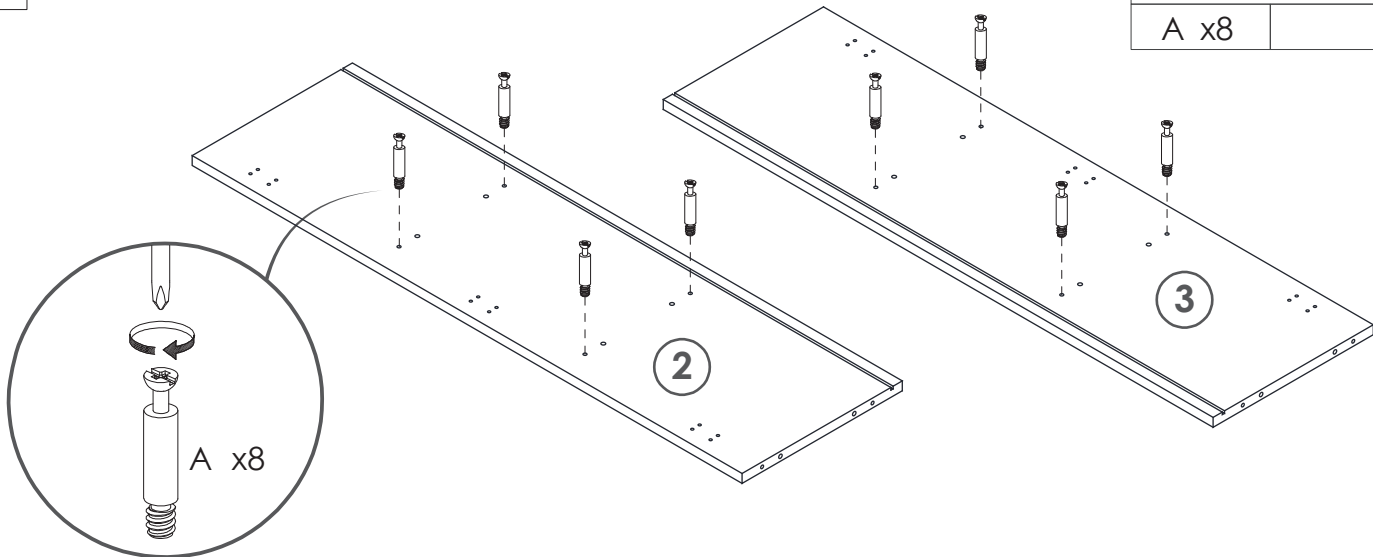
PANEL LAYOUT



1

YOU WILL NEED

A x8

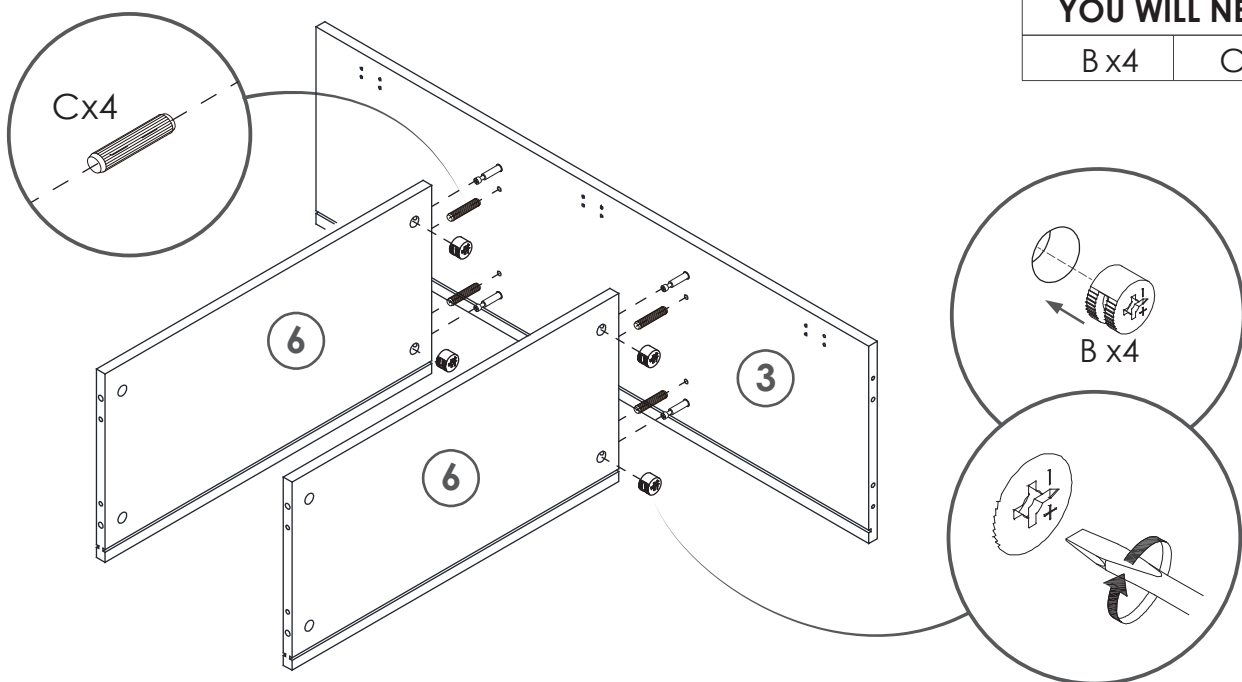


2

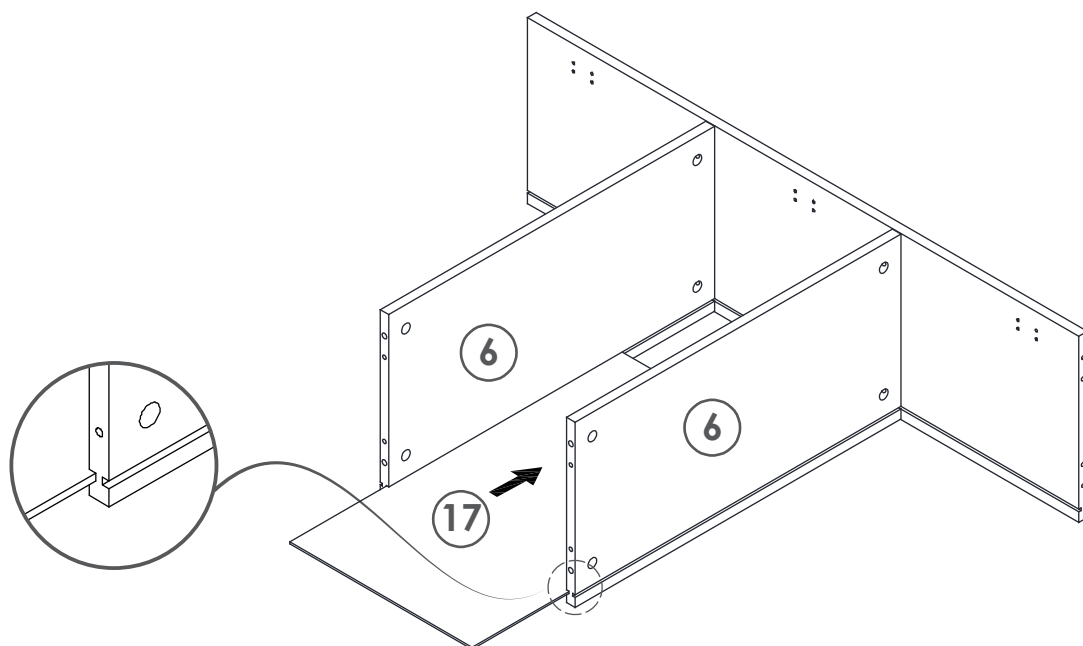
YOU WILL NEED

B x4

C x4



3

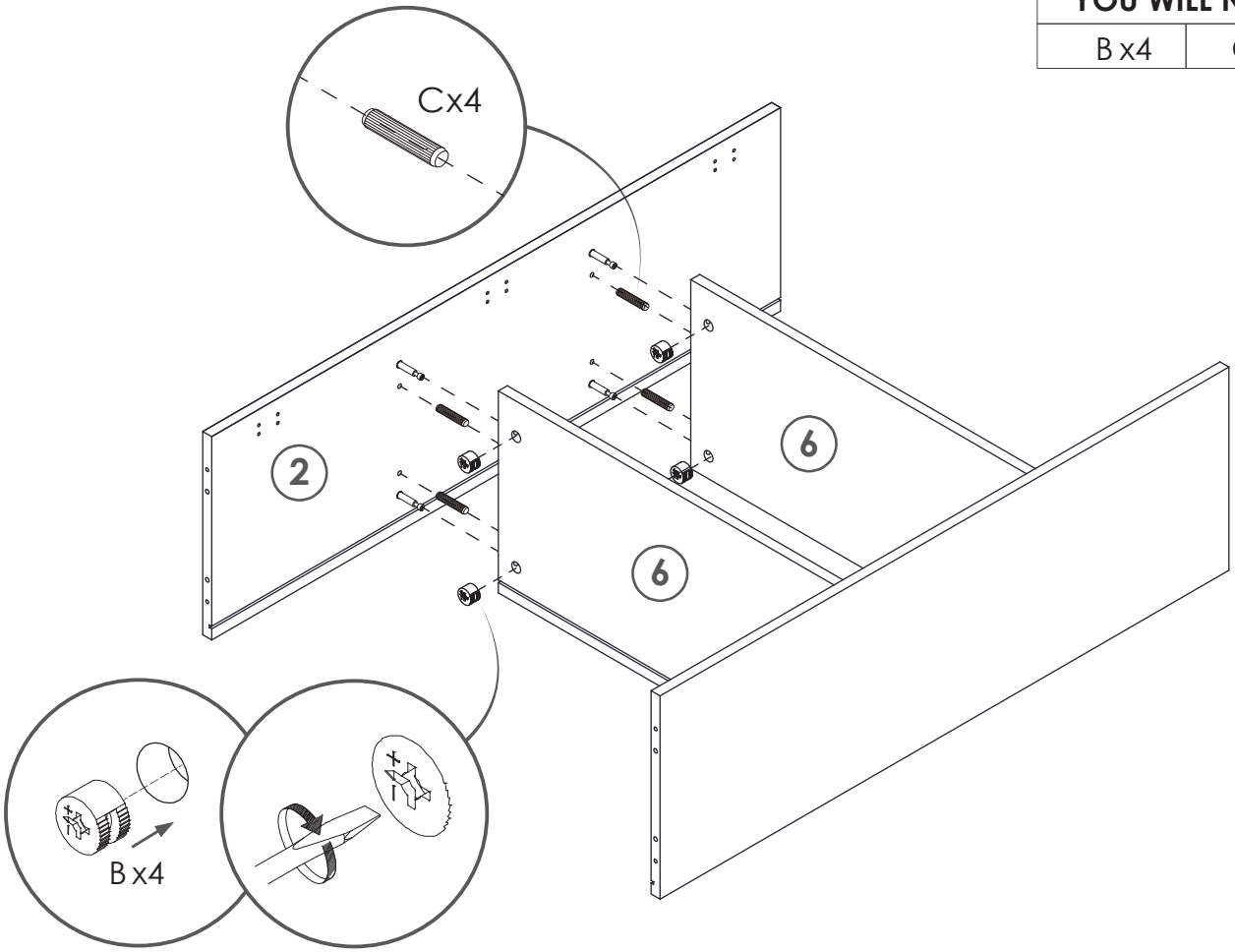


4

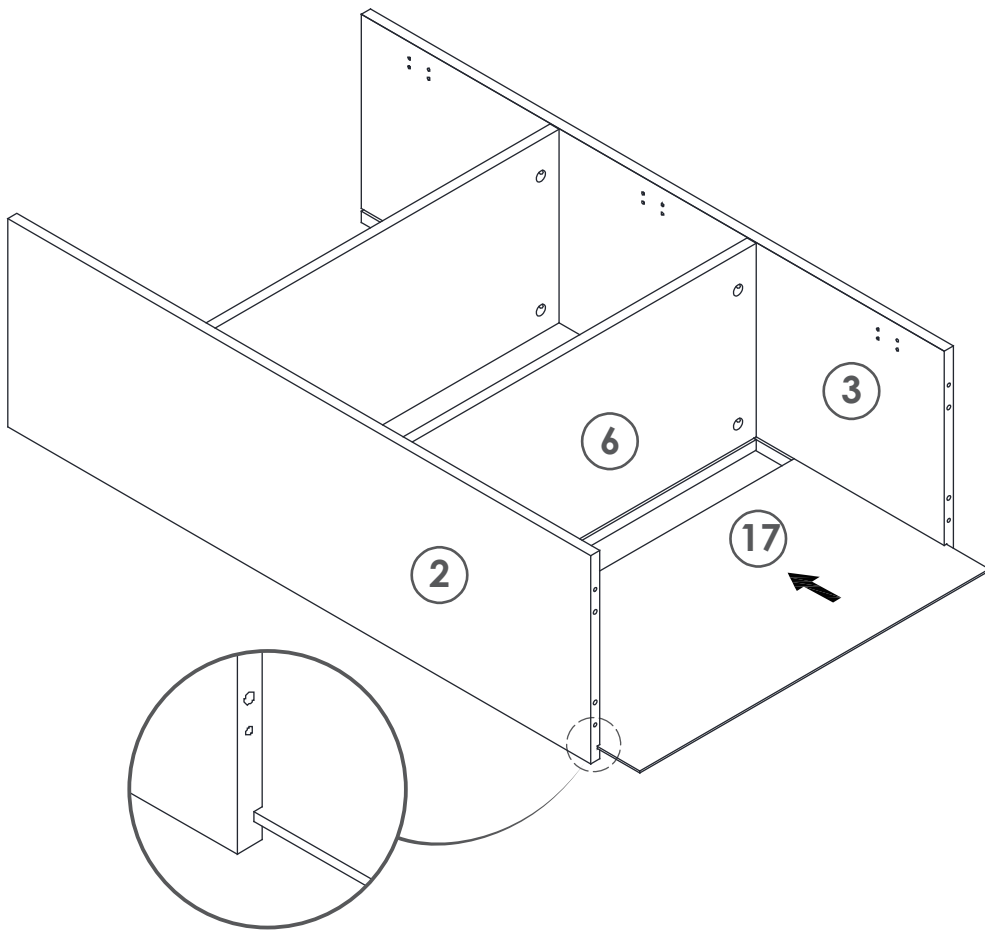
YOU WILL NEED

B x4

C x4



5



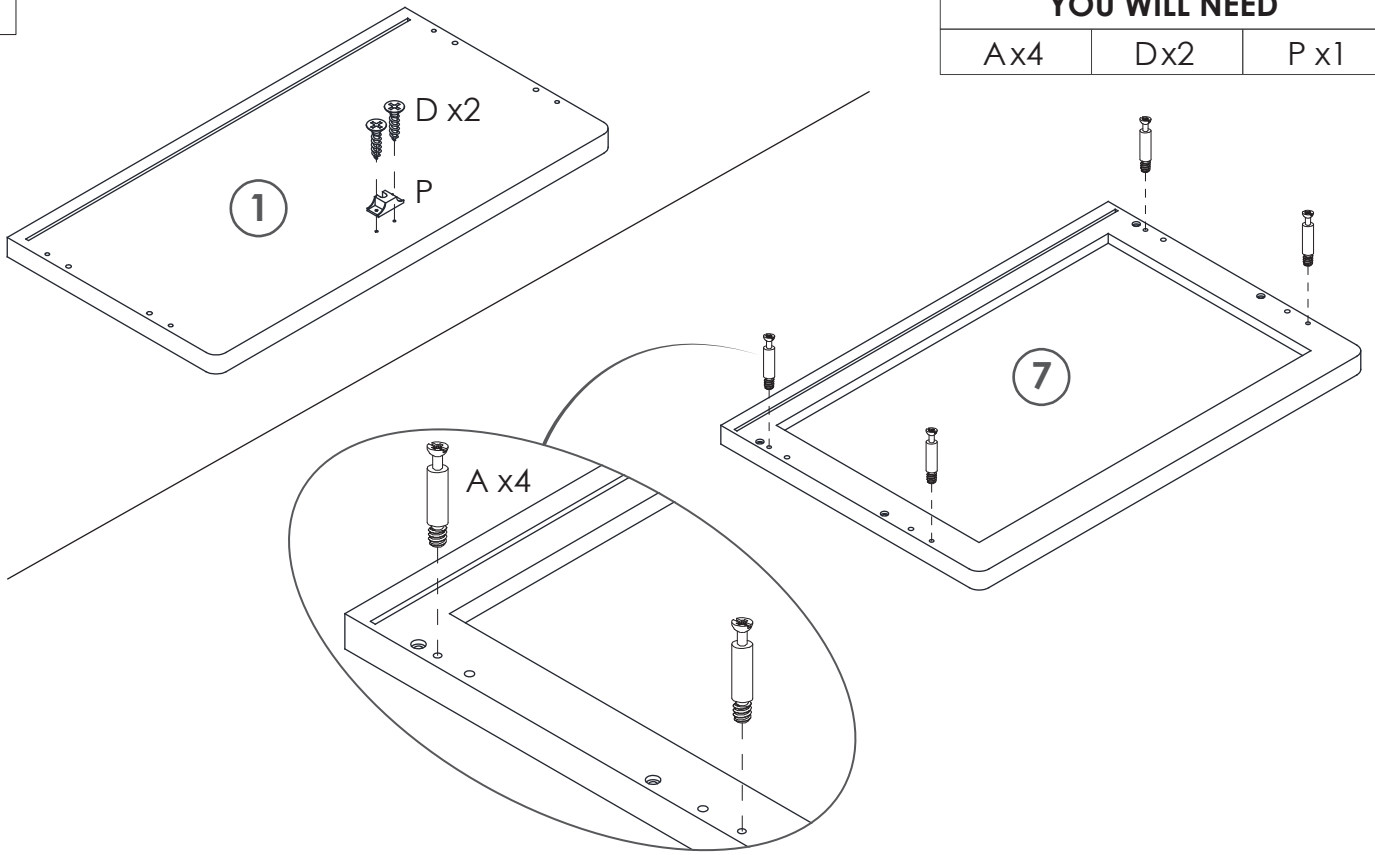
6

YOU WILL NEED

A x4

D x2

P x1



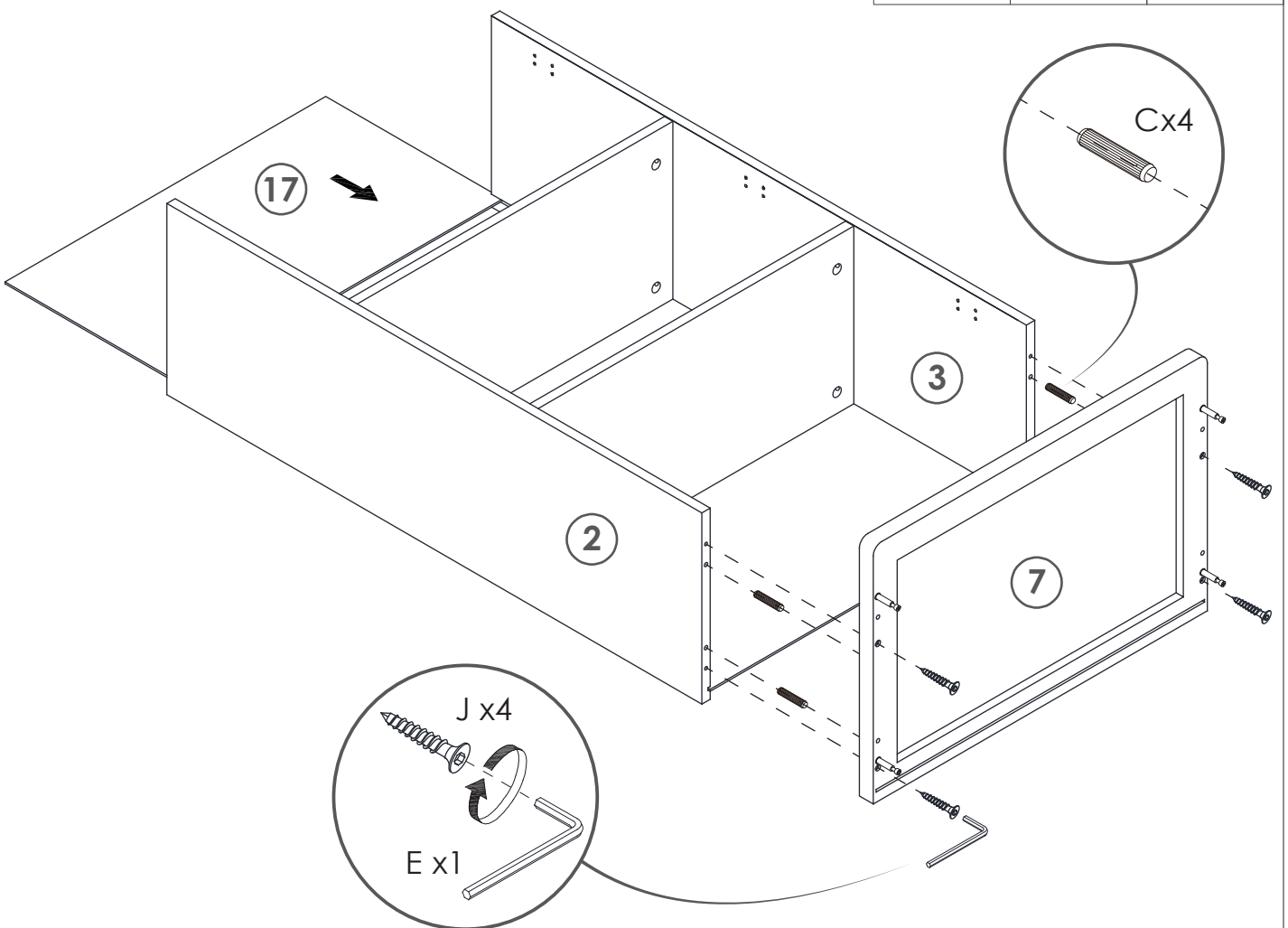
7

YOU WILL NEED

C x4

J x4

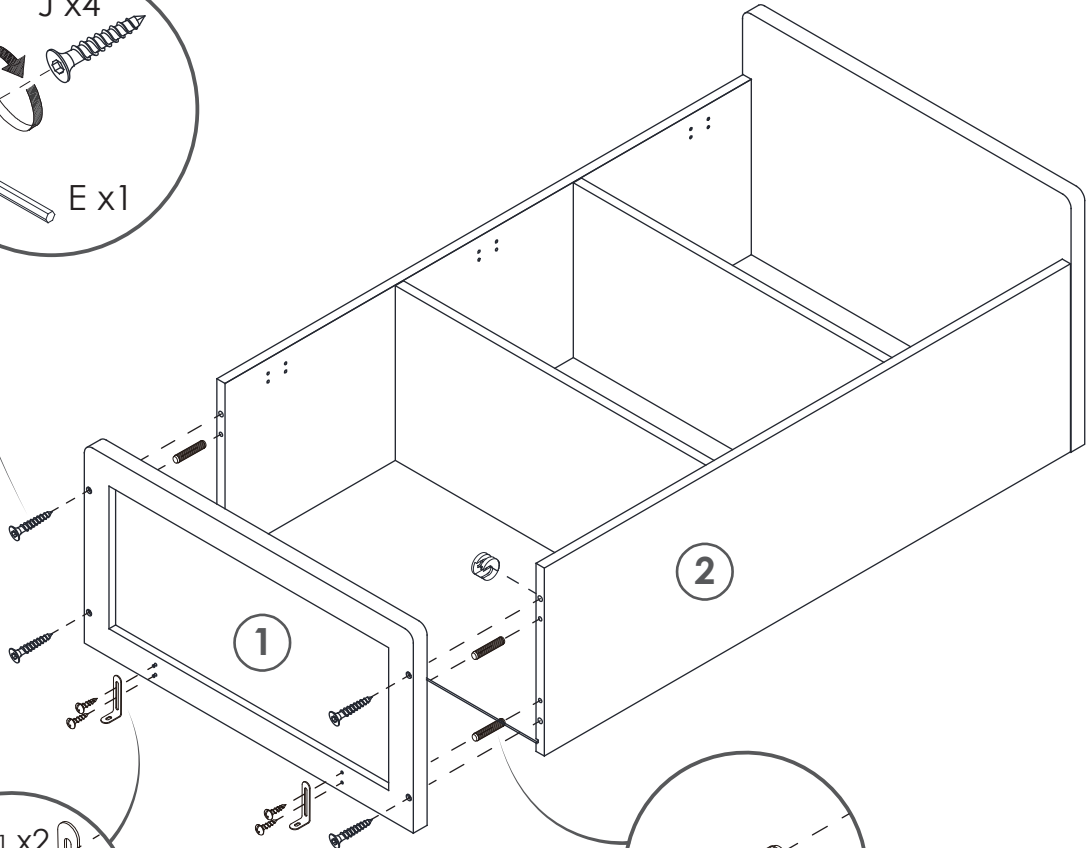
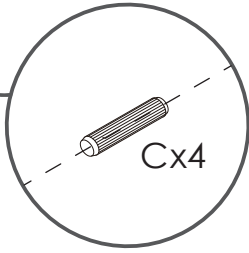
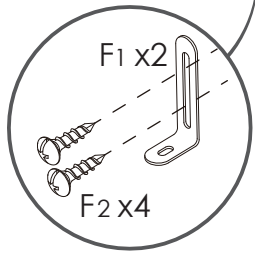
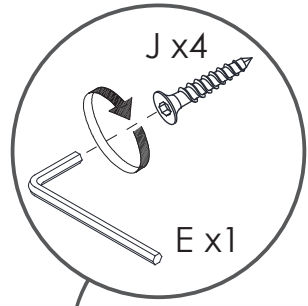
E x1



8

YOU WILL NEED

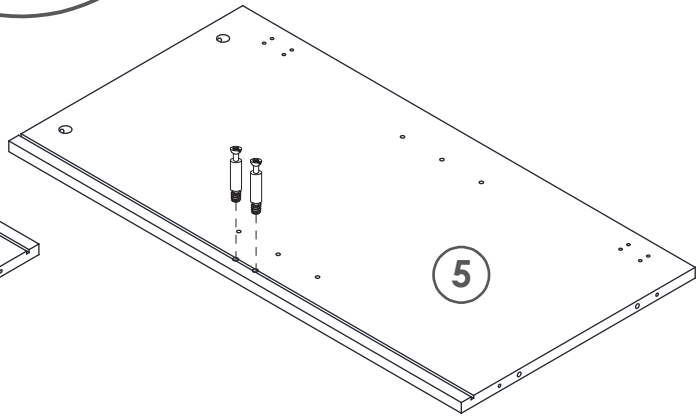
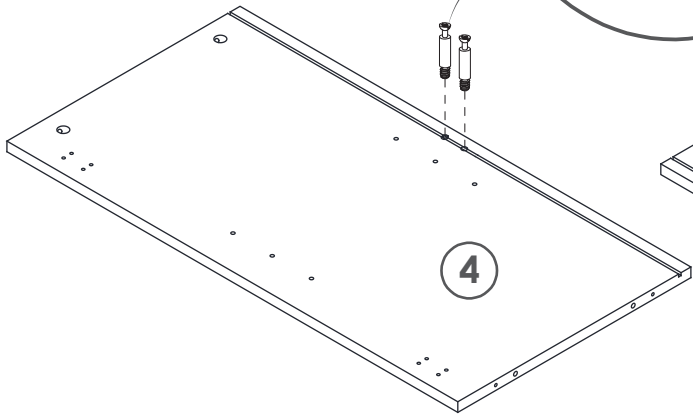
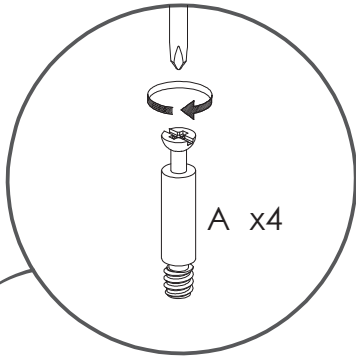
C x4	E x1	J x4	F ₁ x2	F ₂ x4
------	------	------	-------------------	-------------------



9

YOU WILL NEED

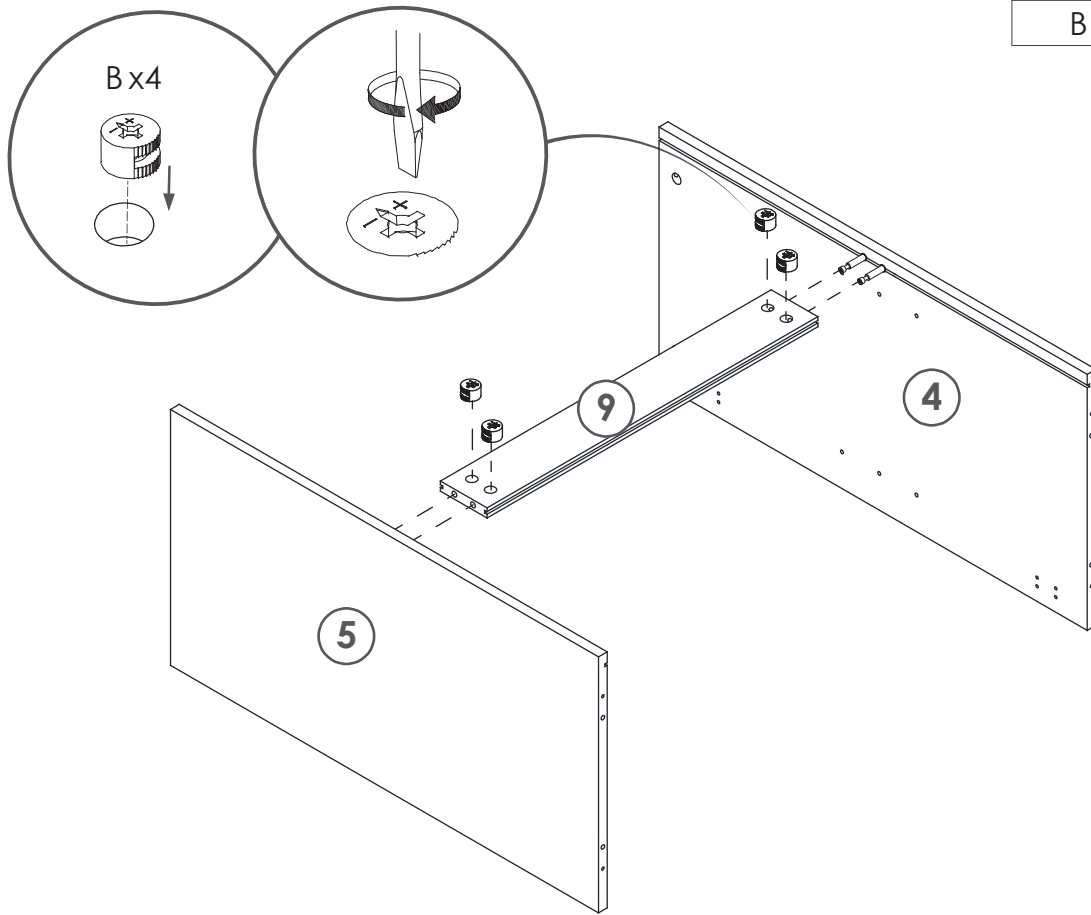
A x4	
------	--



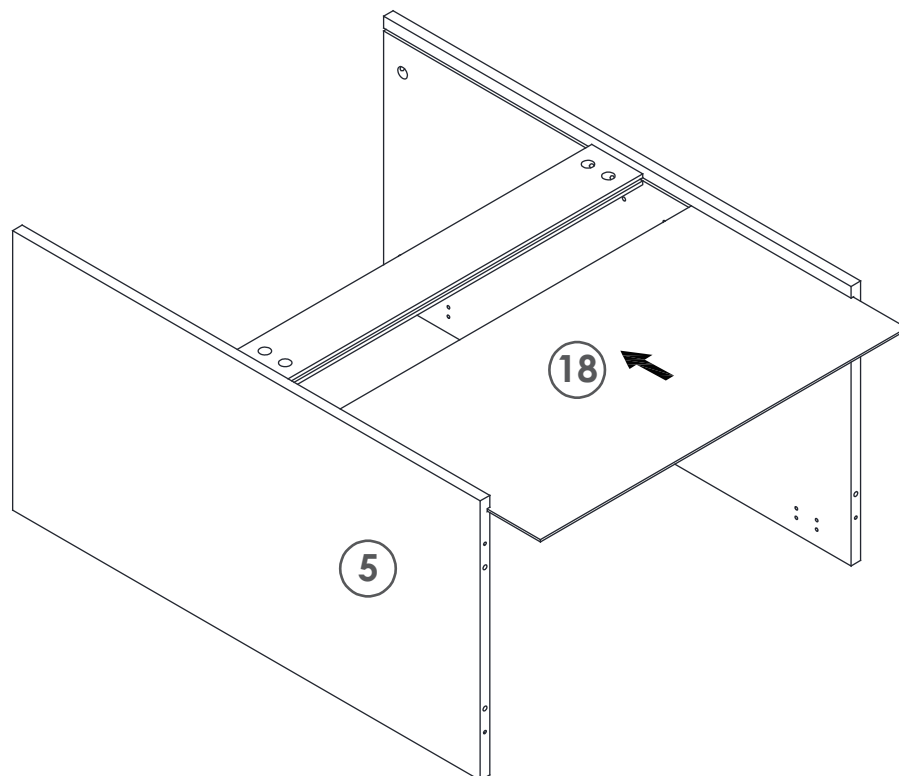
10

YOU WILL NEED

B x4



11

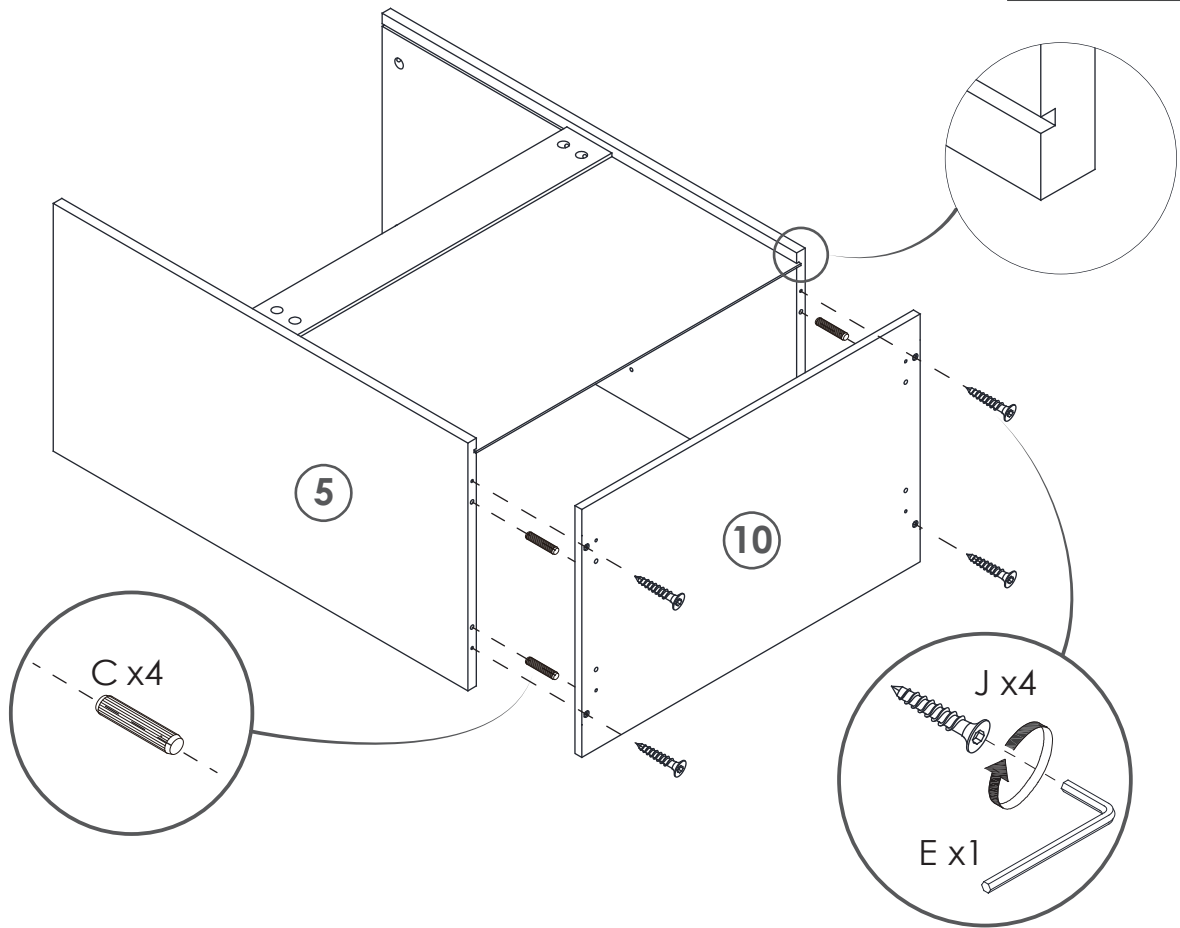


12

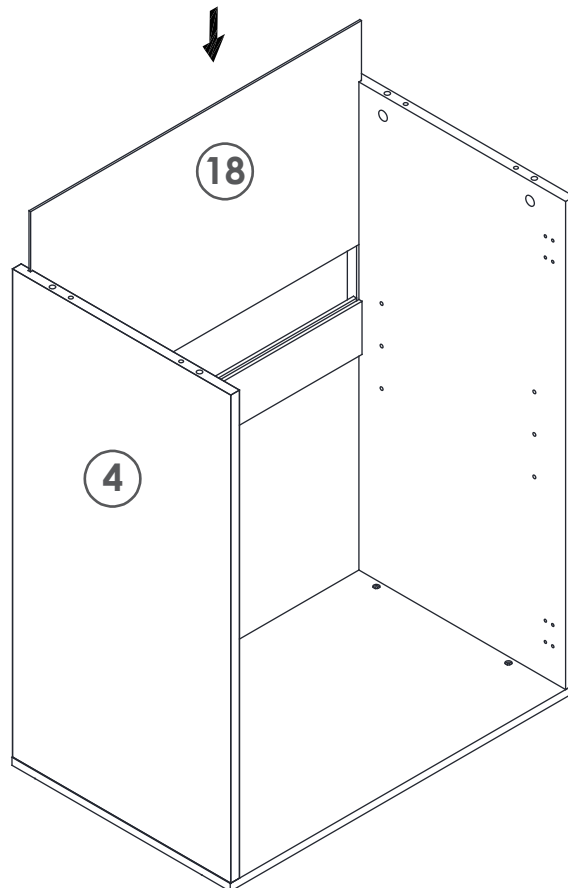
YOU WILL NEED

C x4

J x4



13

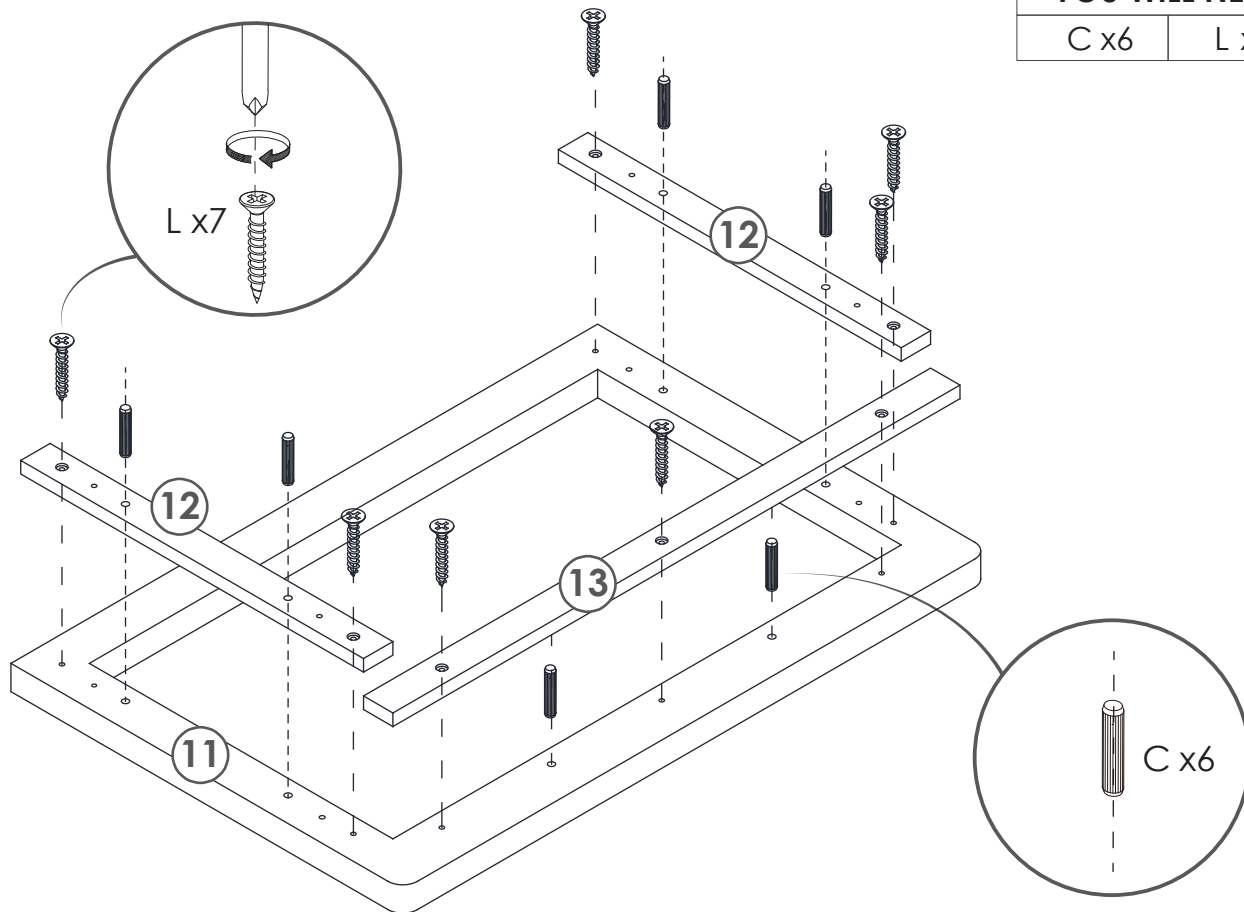


14

YOU WILL NEED

C x6

L x7

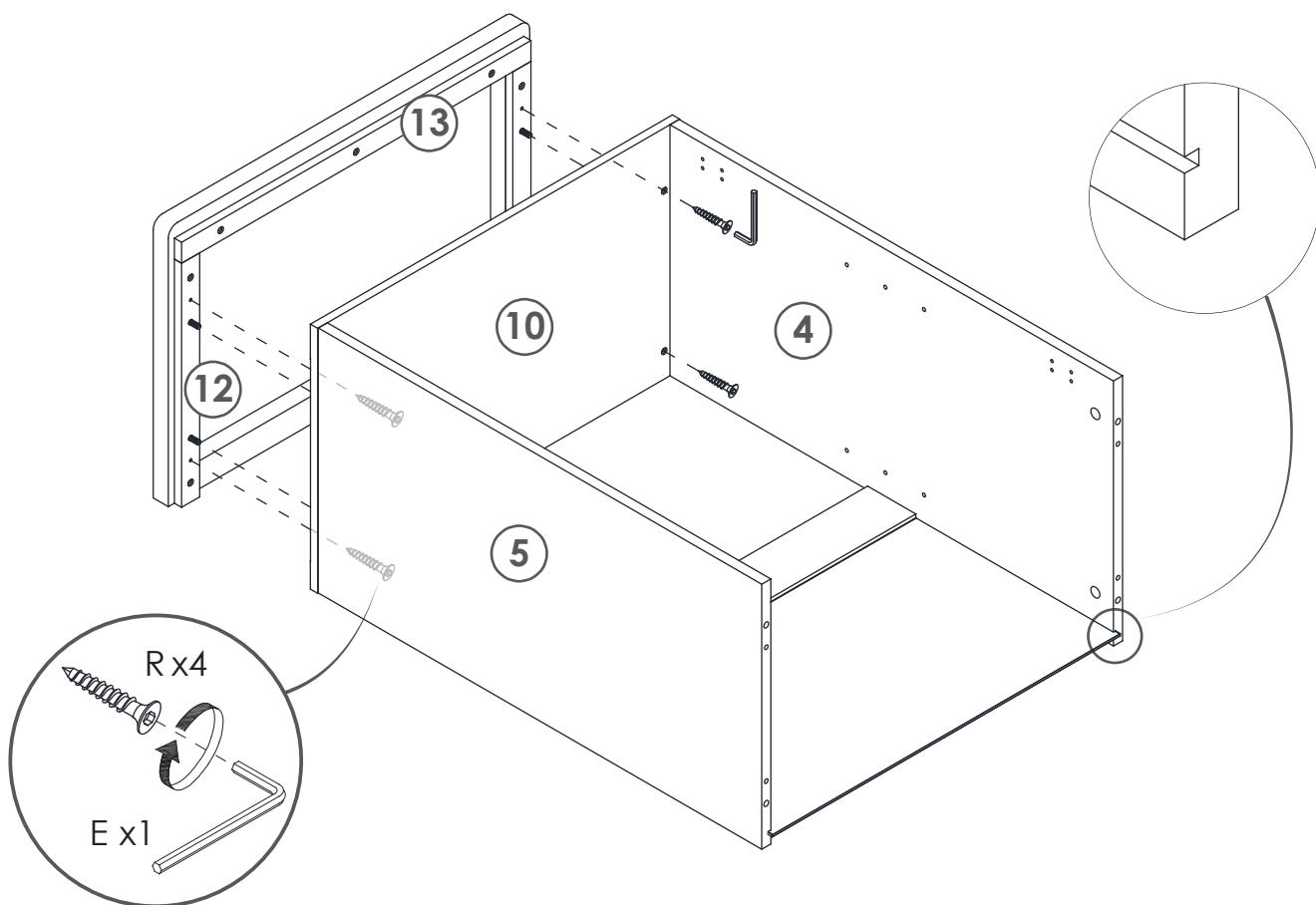


15

YOU WILL NEED

E x1

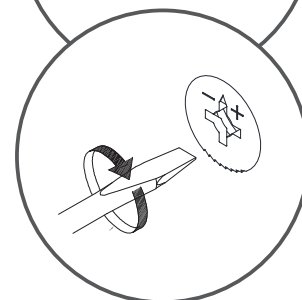
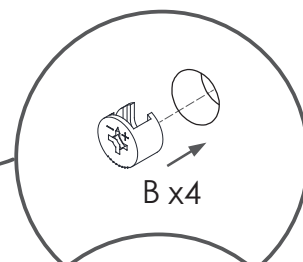
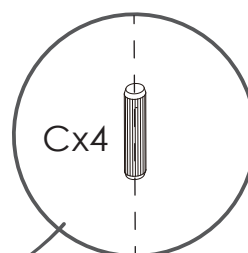
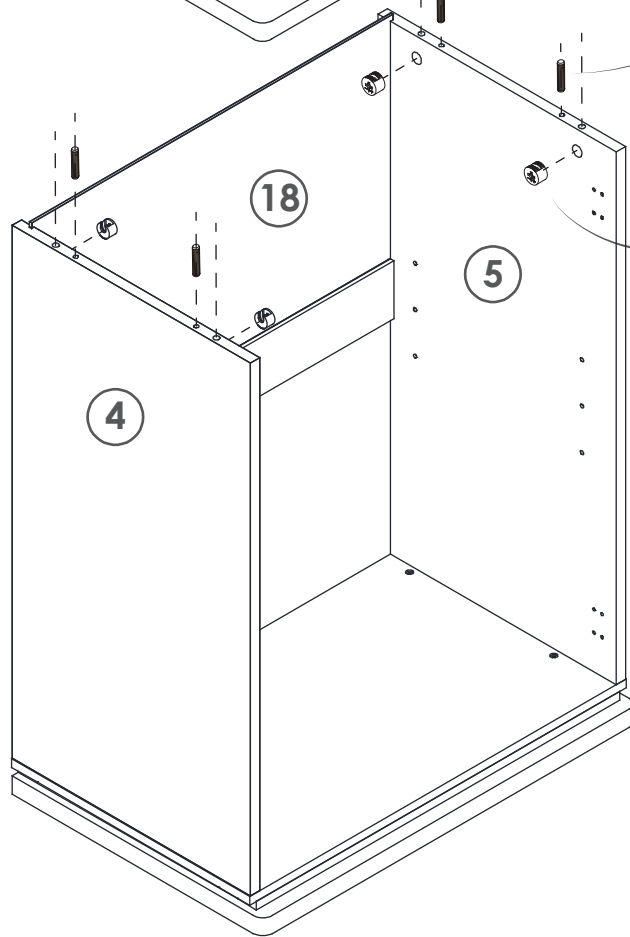
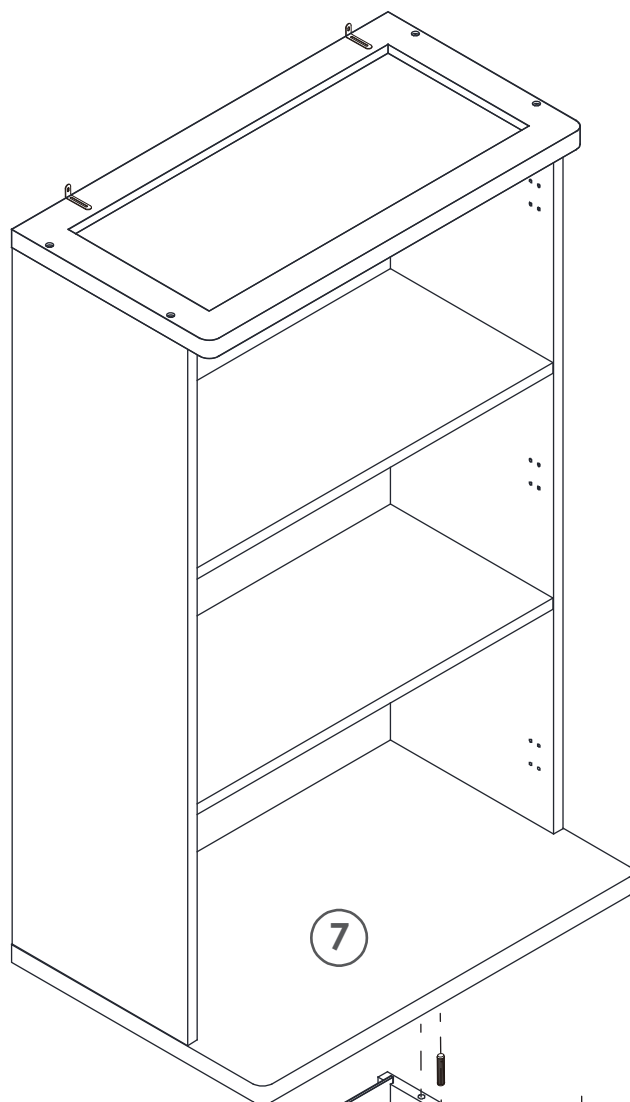
R x4



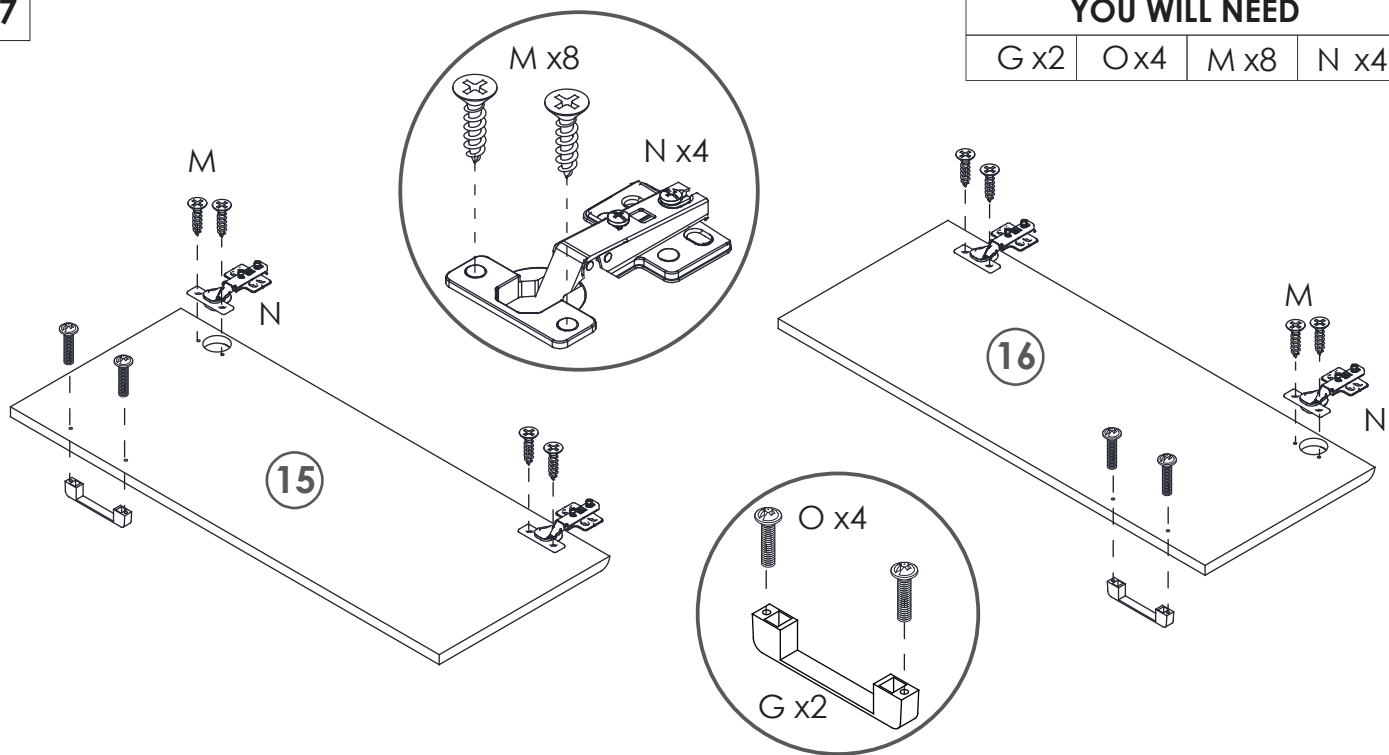
YOU WILL NEED

B x4

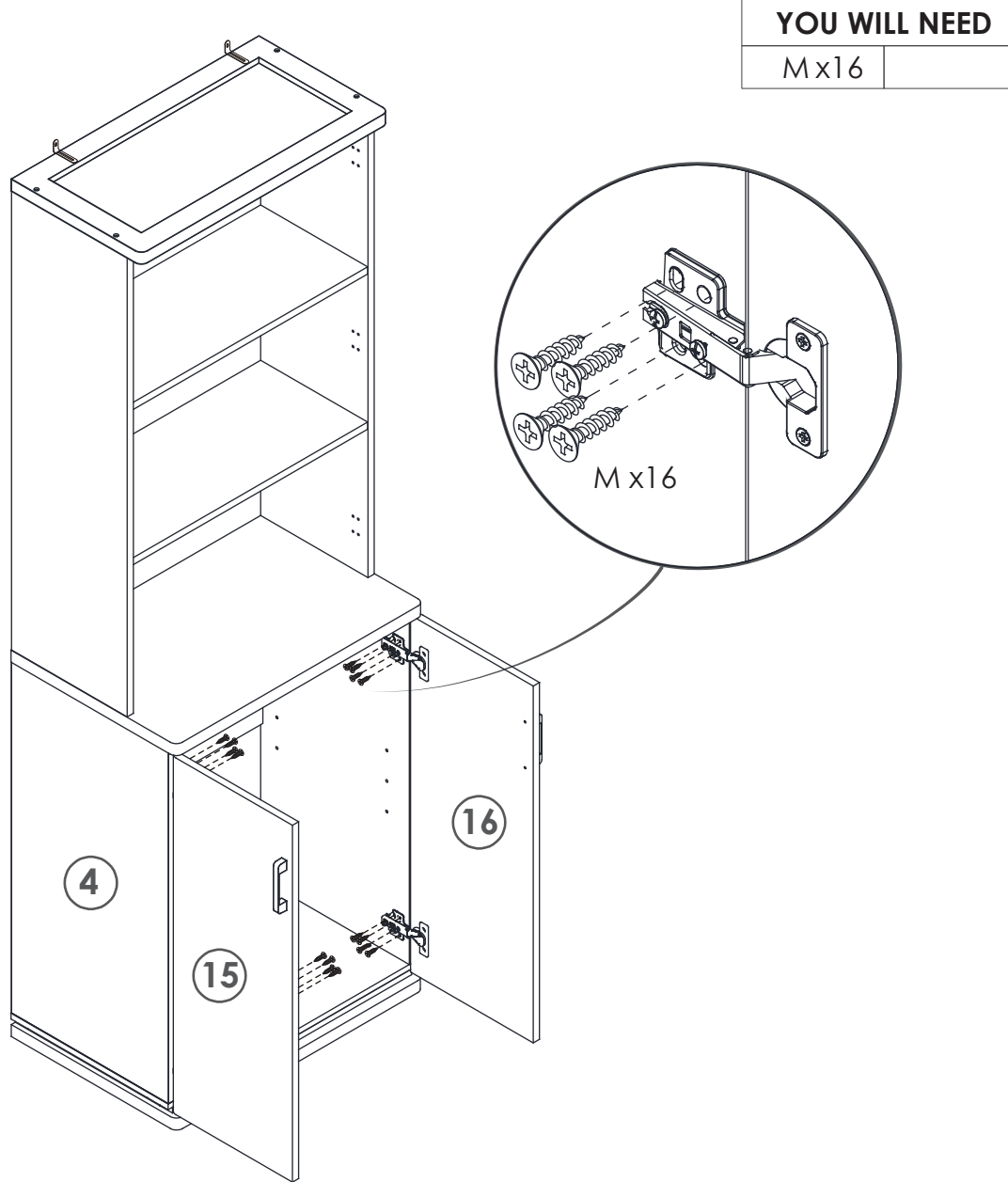
C x4



17



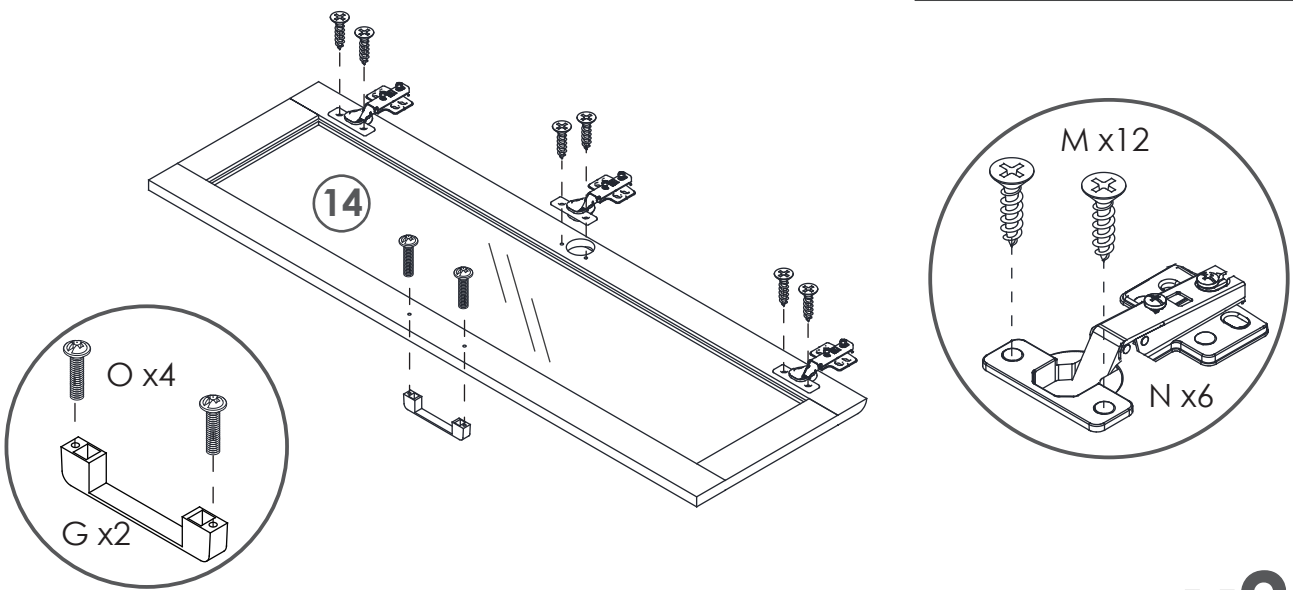
18



19

YOU WILL NEED

G x2	O x4	M x12	N x6
------	------	-------	------

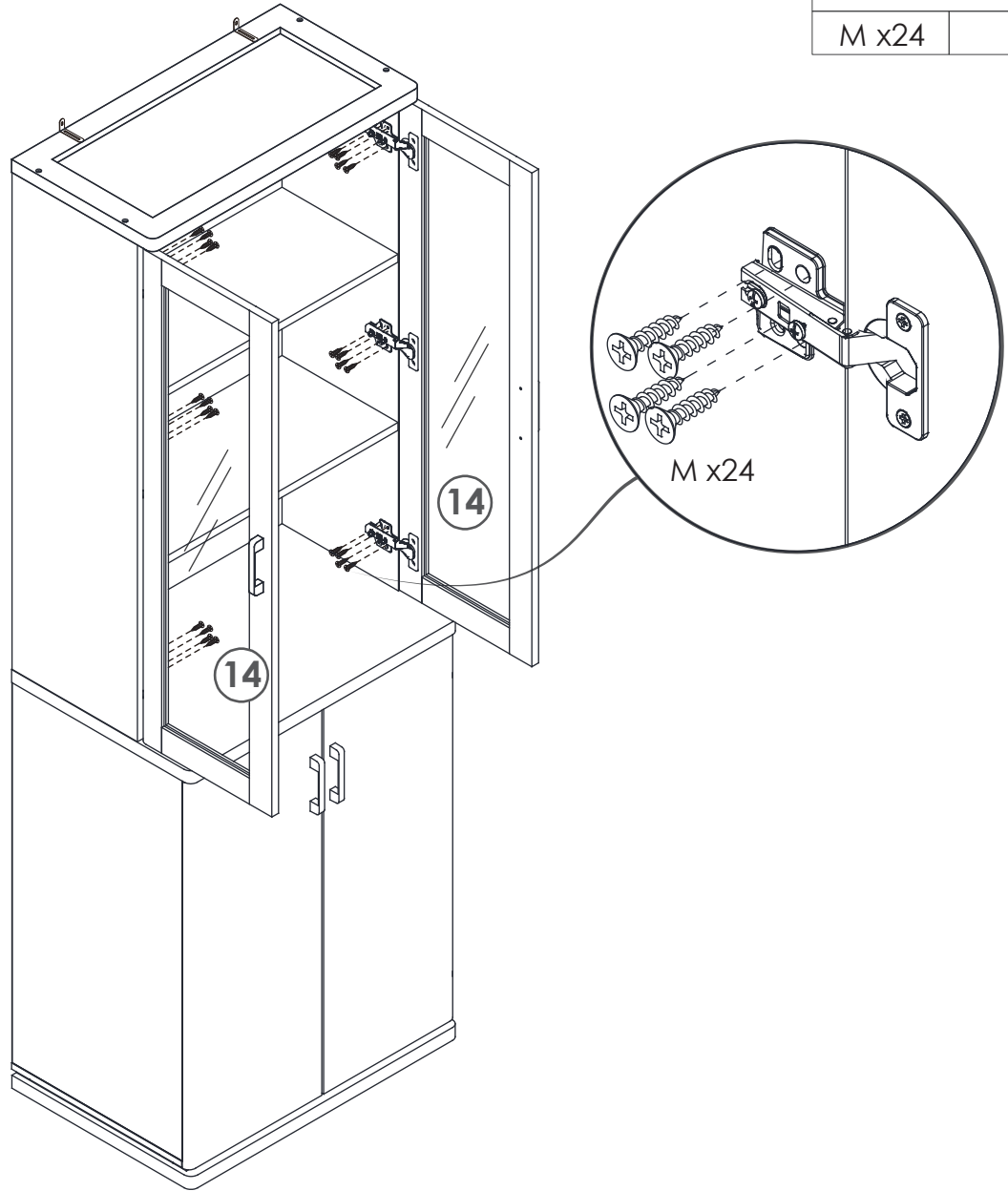


x2

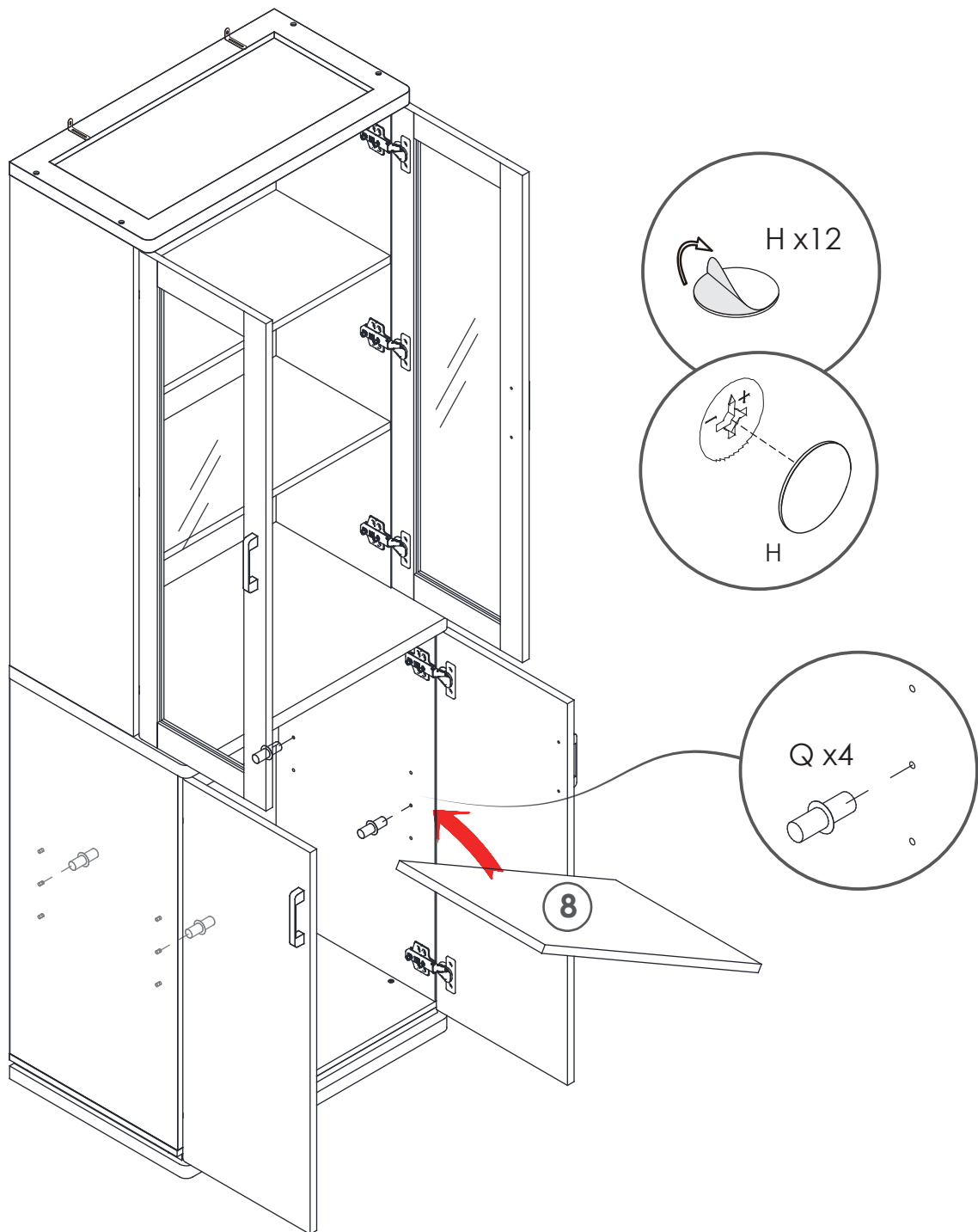
20

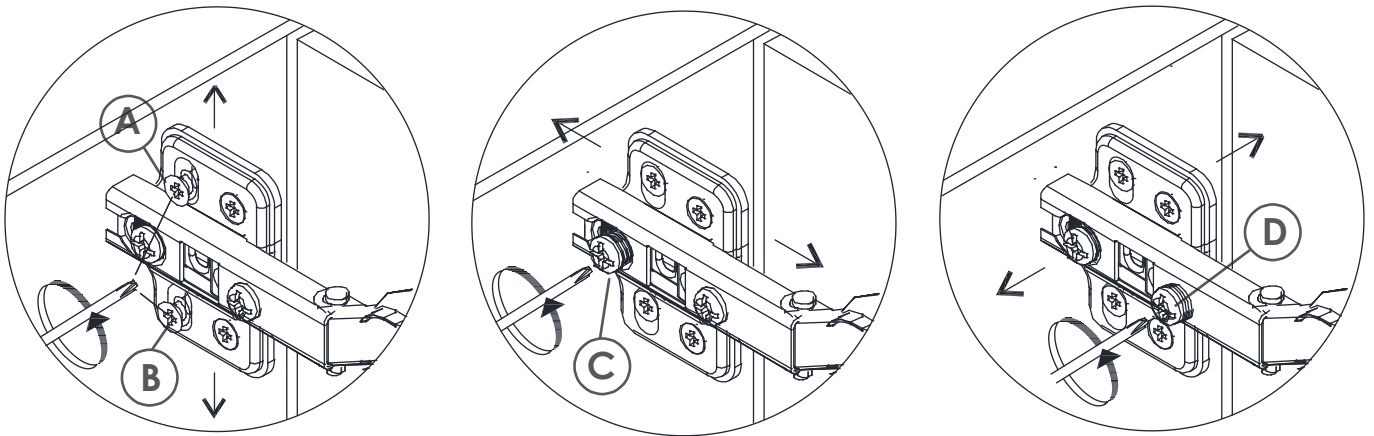
YOU WILL NEED

M x24	
-------	--



YOU WILL NEED	
H x12	Q x4





First Diagram

Adjusting Vertical Door Gaps

Scenario 1: Large top gap. Loosen screw A or B , pull door up, then tighten clockwise.

Scenario 2: Large bottom gap. Loosen screw A or B ,counter clockwise, pull door down to fit, then tighten.

Second Diagram:

Aligning Door with Edge

Scenario 1: Door edge inside cabinet. Loosen screw C counterclockwise, move door out to fit, then tighten.

Scenario 2: Door edge beyond cabinet. Loosen screw C, move door in to align, then tighten clockwise.

Third Diagram:

Adjusting Gap Between Two Doors

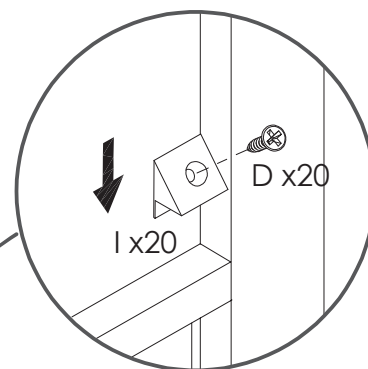
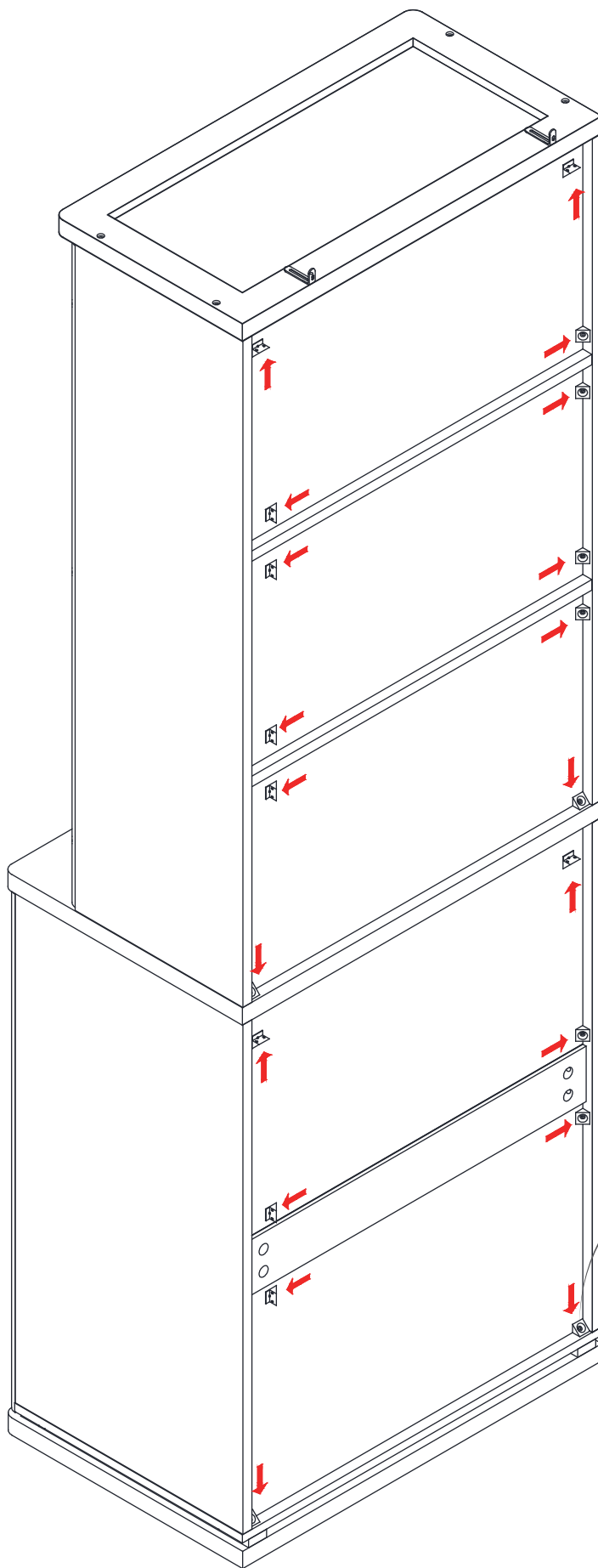
Case 1: Gap too wide. Tighten screw D clockwise to narrow gap.

Case 2: Gap too narrow. Loosen screw D counterclockwise to widen gap.

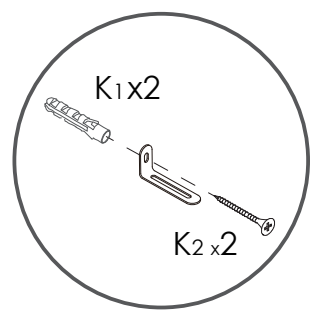
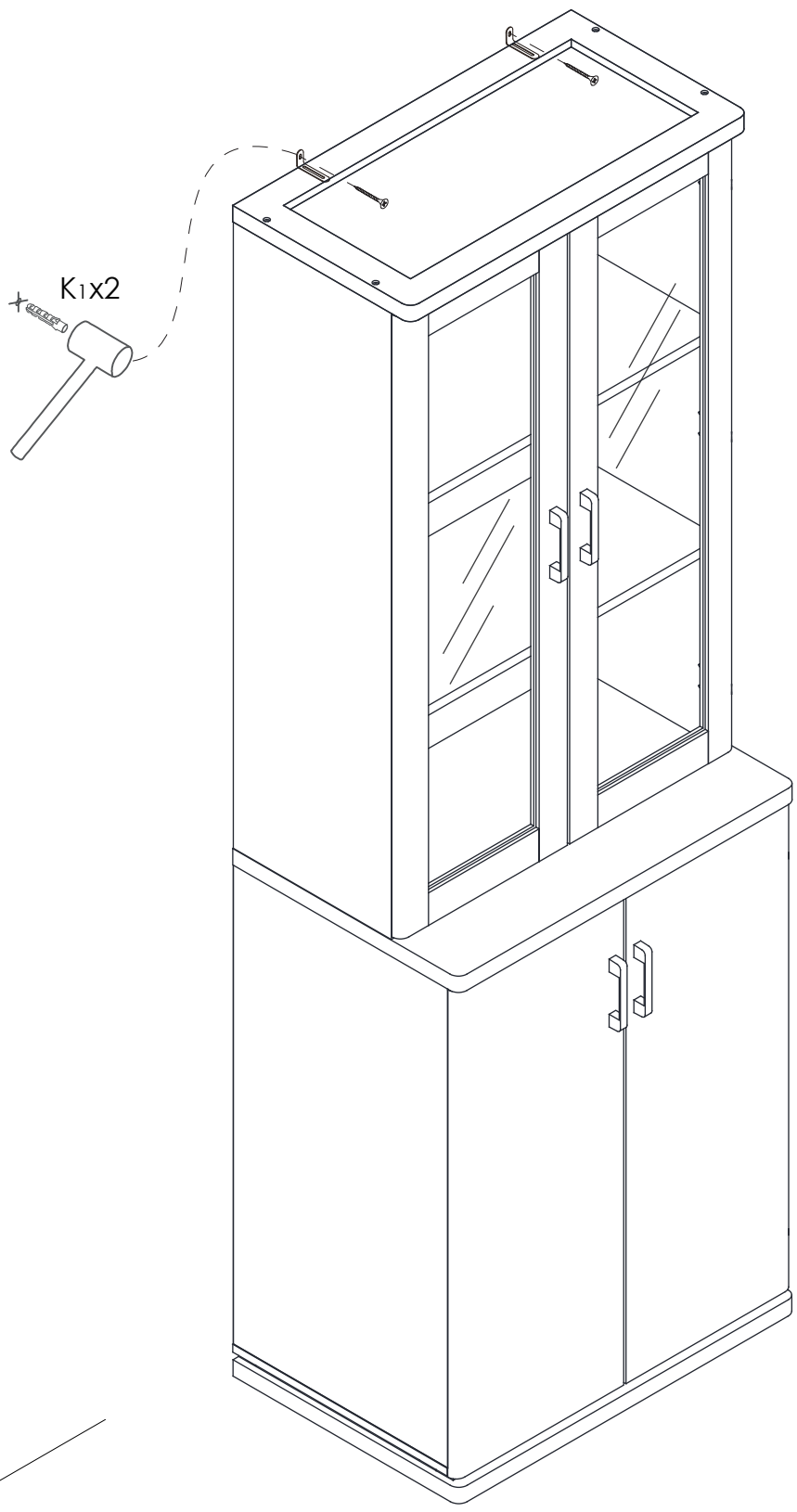
YOU WILL NEED

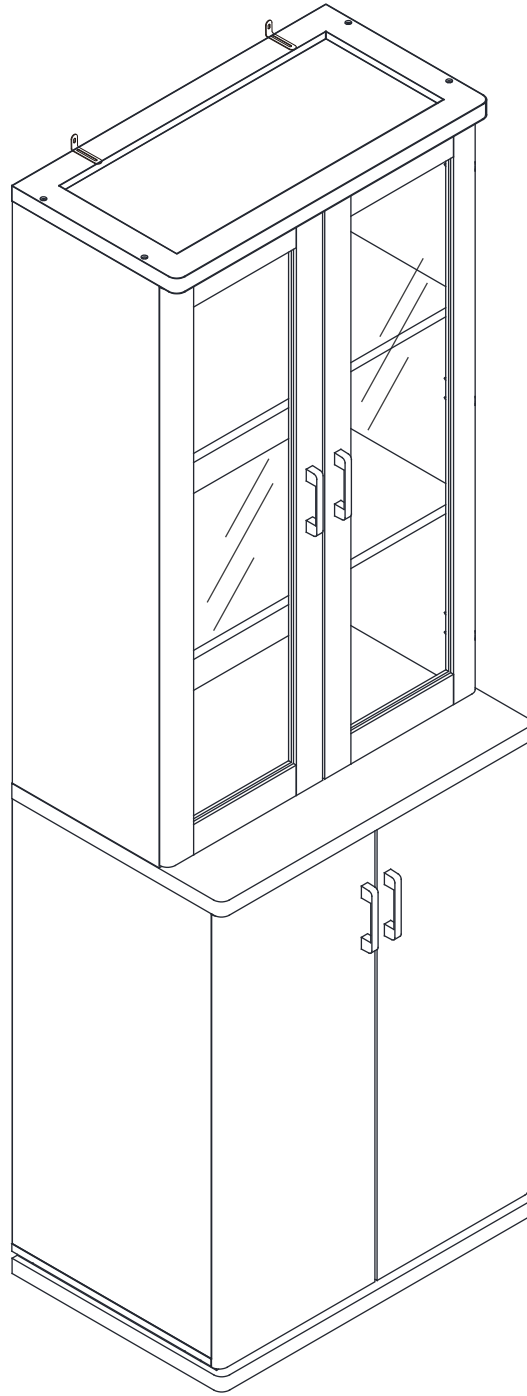
D x20

I x20



YOU WILL NEED	
K1 x2	K2 x2





GUARANTEE

Guarantee offers a **90-days** warranty that begins on the date of the original purchase and applies to problems caused by the manufacturer. For questions, assistance, or support, please contact the Customer Service by e-mail with your order number and details. We will send you further information about the solution.

Model: SH-13

Made in China

