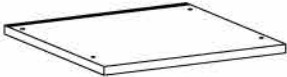


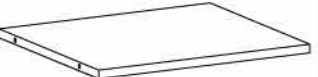
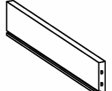

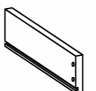
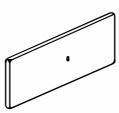
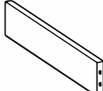

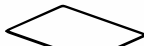









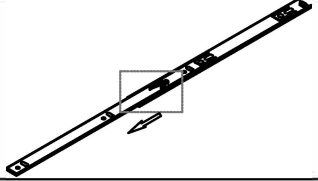
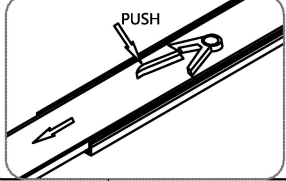
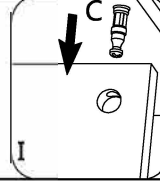
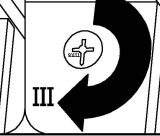
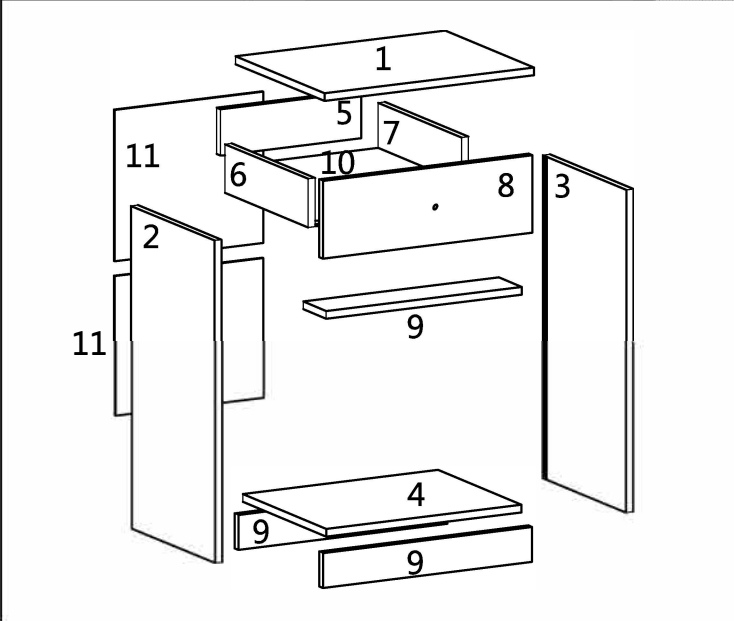
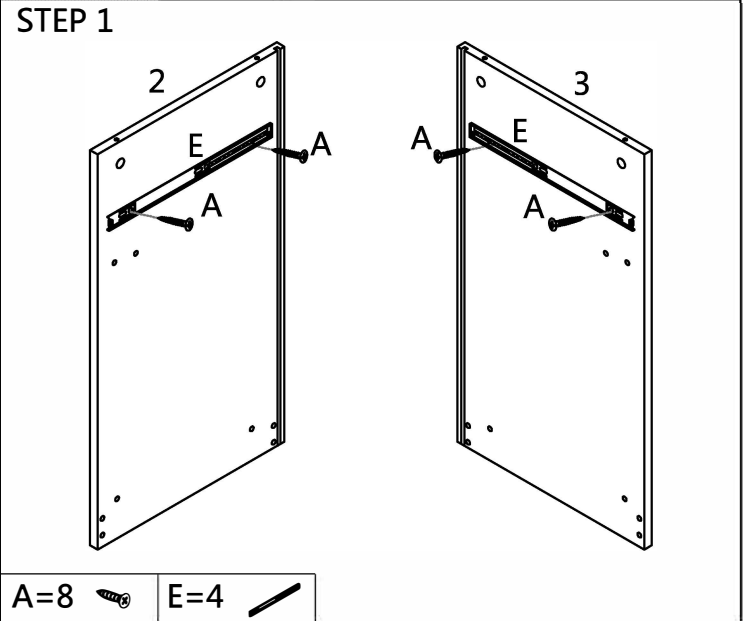




ASSEMBLY INSTRUCTION

1  400*320 1 Pc	2  585*298 1 Pc	3  585*298 1 Pc	4  360*298 1 Pc				
5  317*90 1 Pc	6  238*90 1 Pc	7  238*90 1 Pc	8  356*115 1 Pc	9  360*77 3 Pcs	10  327*233 1 Pc	11  371*252 2 Pcs	
A  M4*12 8 Pcs	B  M5*40 4 Pcs	C  24 Pcs	D  24 Pcs	E  2 Pcs	F  +  M4*18 1 Pc	G  4 Pcs	
H  1 Pc							

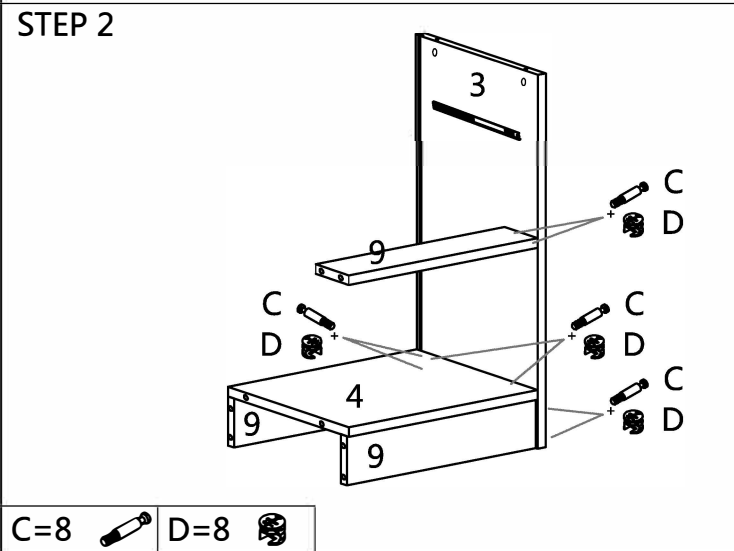




STEP 1



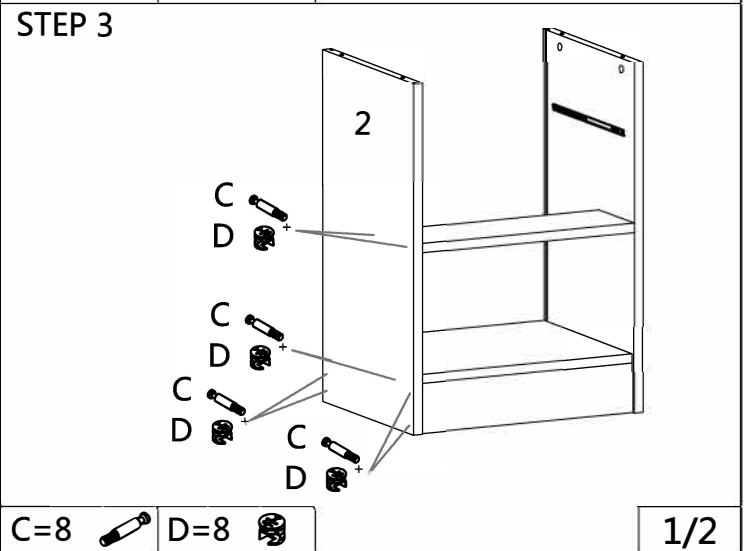
A=8  E=4 



STEP 2



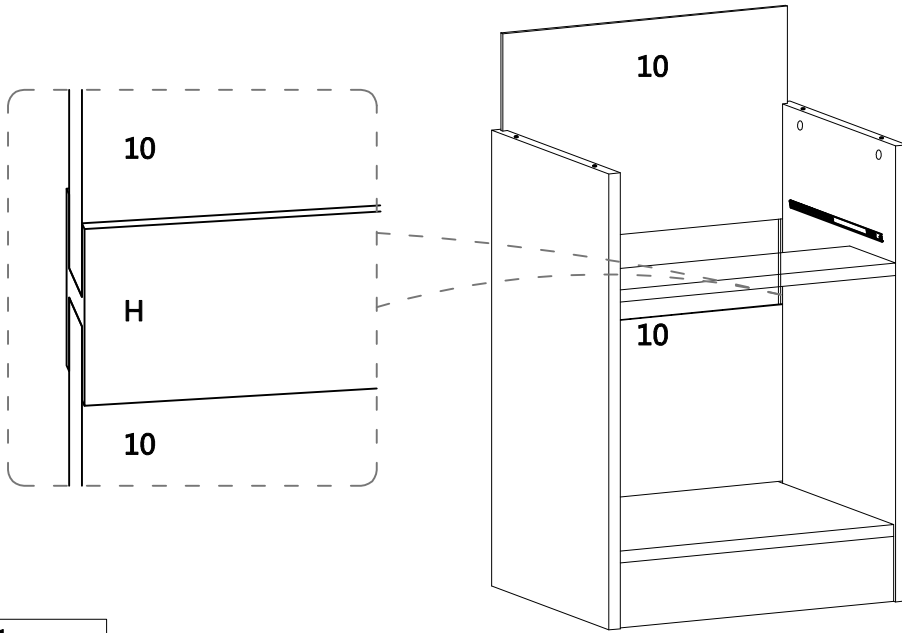
C=8  D=8 


STEP 3



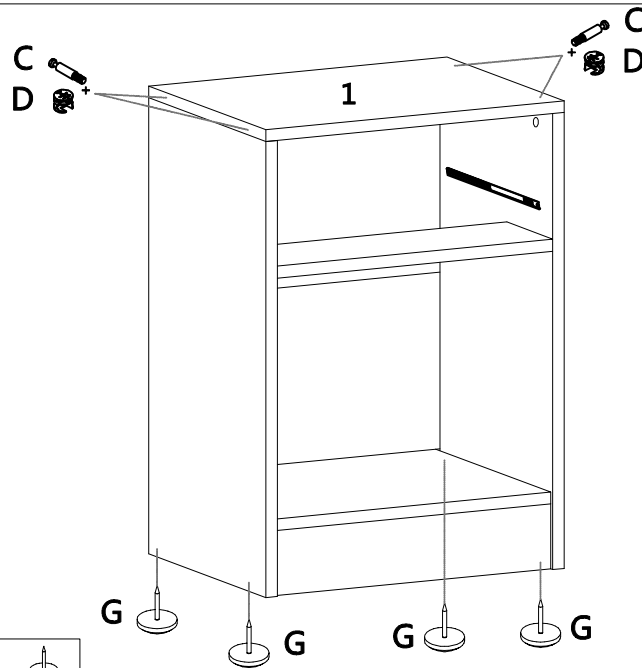
C=8  D=8 




STEP 4



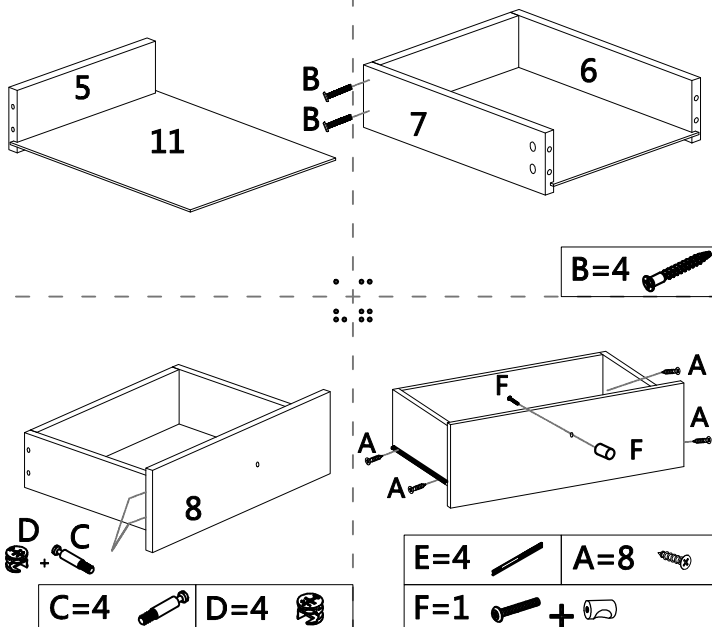
I=1 

STEP 5

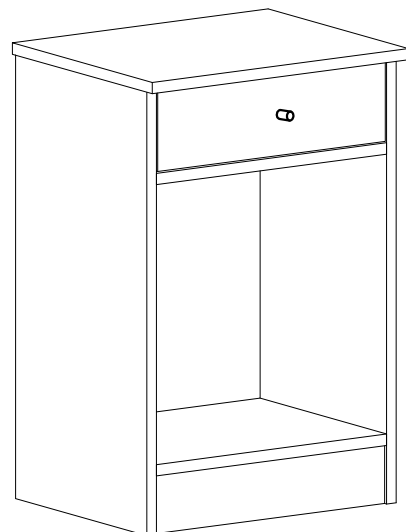






C=4  D=4  G=4 

STEP 6



STEP 7



E=4  A=8 
F=1  + 

C=4  D=4 