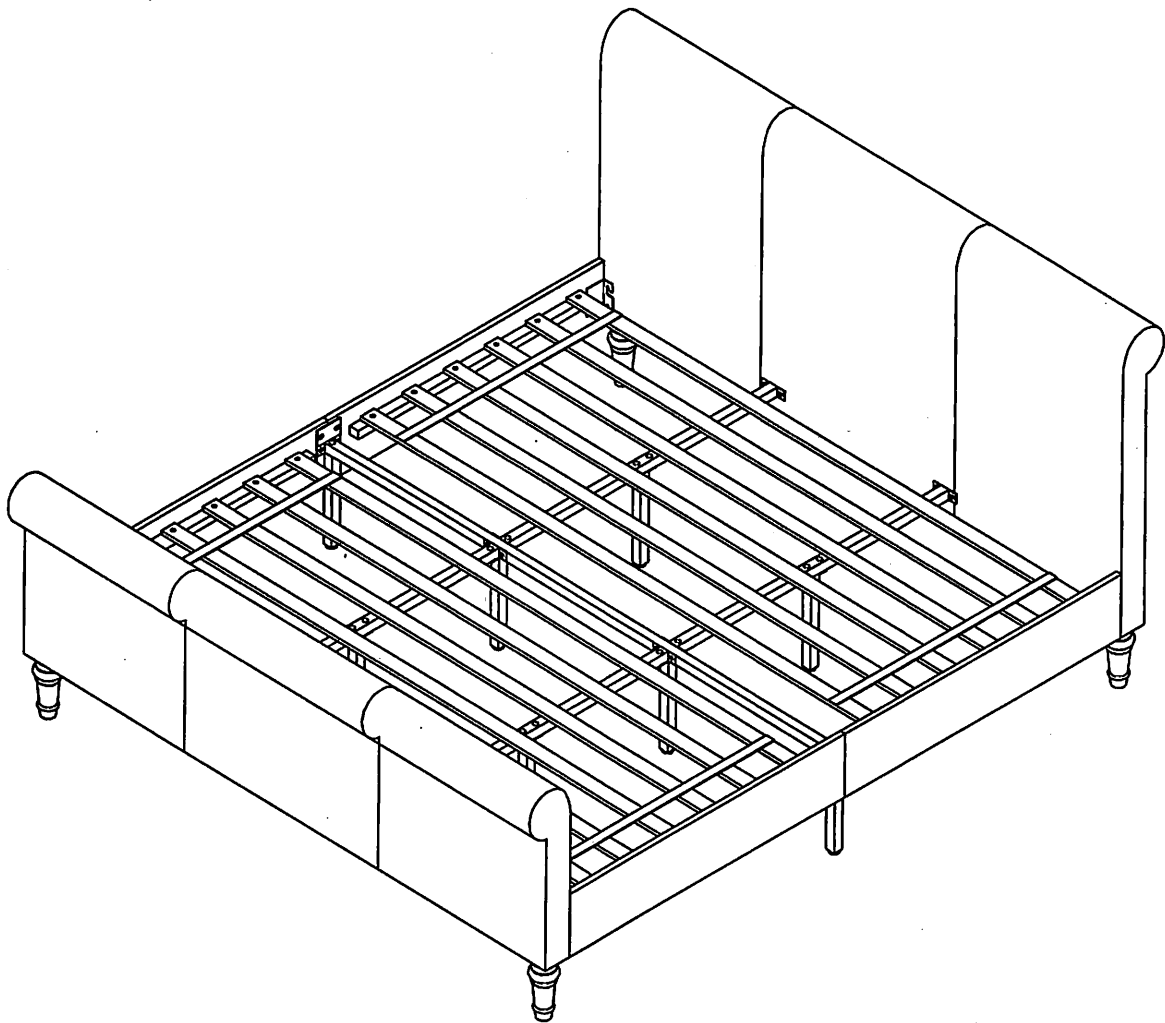


Assembly Instruction

ITEM NO.: BED-000017-KING

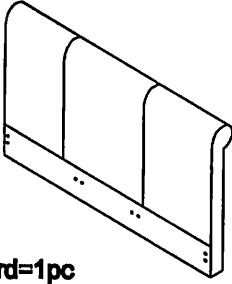
IMPORTANT: PLACE ALL PARTS ON A CLEAN AND SMOOTH SURFACE SUCH AS A RUG OR CARPET TO AVOID THE PARTS FROM BEING SCRATCHED. KINDLY FOLLOW THE ASSEMBLY INSTRUCTIONS STEP DO NOT TIGHTEN ALL SCREWS UNTIL THE BED IS FULLY SET-UP



Find view

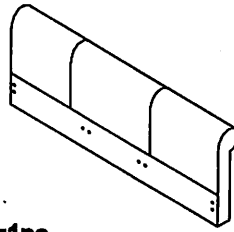
PARTS LIST:

A



Headboard=1pc

B



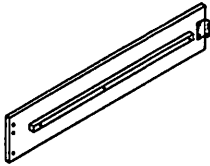
Footboard=1pc

C



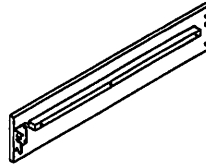
Wooden legs=4pcs

D



Siderail=2pcs

E



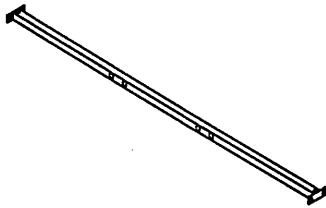
Siderail=2pcs

F



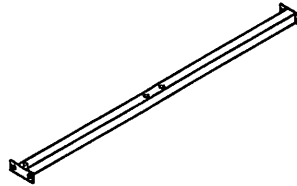
Side legs=2pcs

G



Cross bar=1pc

H



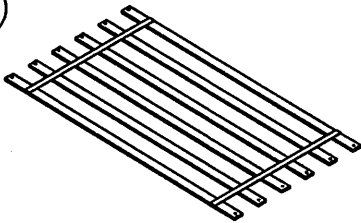
Support bar=4pcs

I



Support leg=6pcs

J



Slats=2units

HARDWARE LIST:

1

Allen Key $\varnothing 5/16"$ = 1pc



2

Bolt $\varnothing 5/16" \times 2"$ L=18pcs



3

Bolt $\varnothing 5/16" \times 1-1/2"$ L=16pcs



4

Bolt $\varnothing 5/16" \times 3/4"$ L=12pcs



5

Spring Washer=50pcs



6

Flat Washer $\varnothing 5/16" \times \varnothing 19mm$ = 62pcs



7

Screw 10mm $\times 1-1/4"$ L=24pcs



8

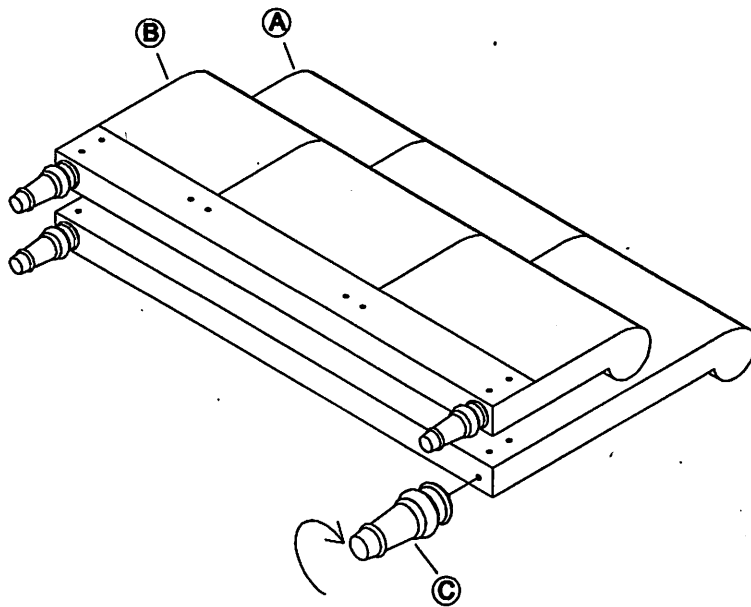
Nut=16pcs



9

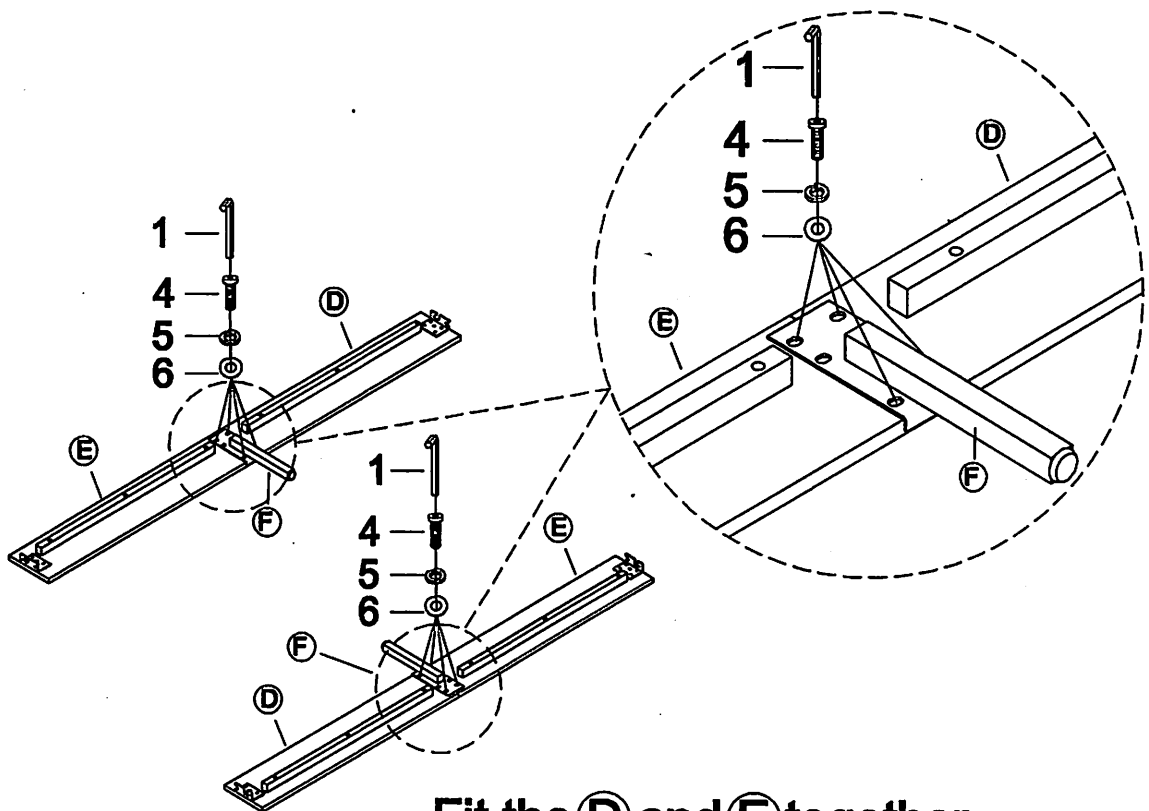
Wrench=1pc





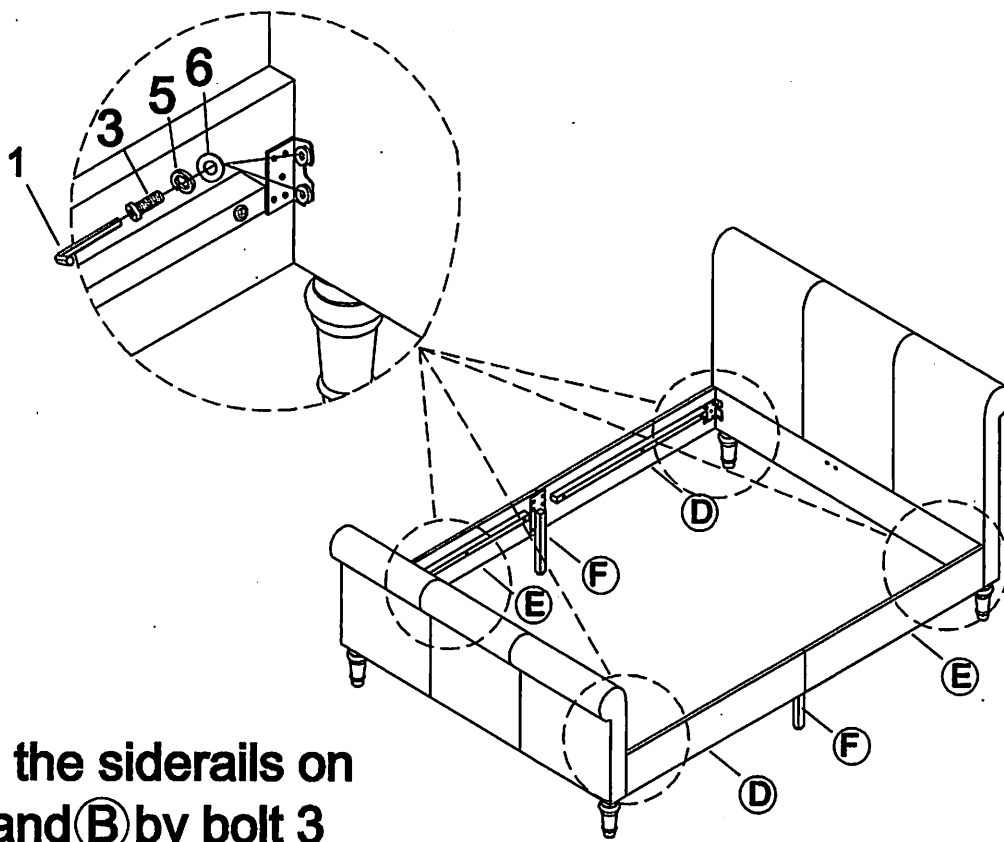
Install **C** on **A** and **B**

step 1



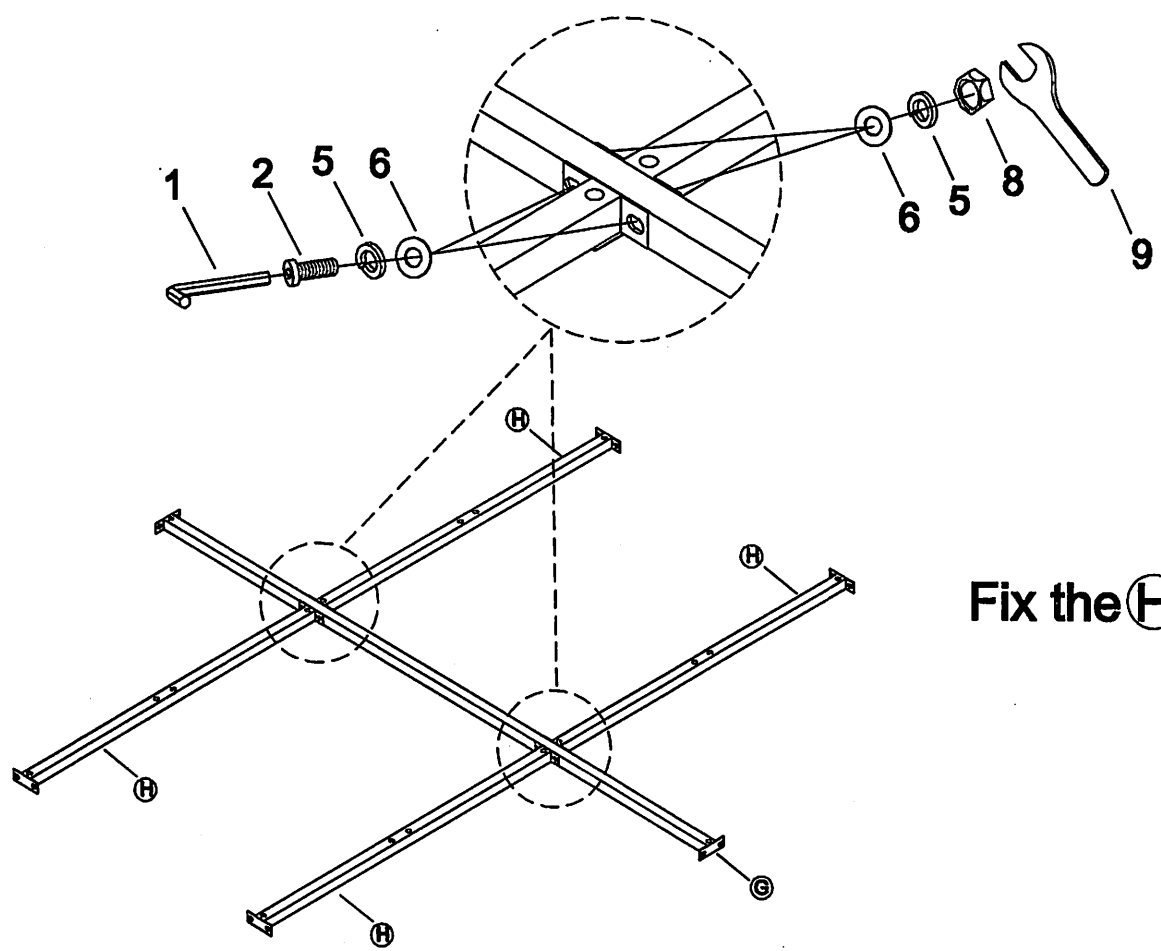
Fit the **D** and **E** together
by **F**

step 2



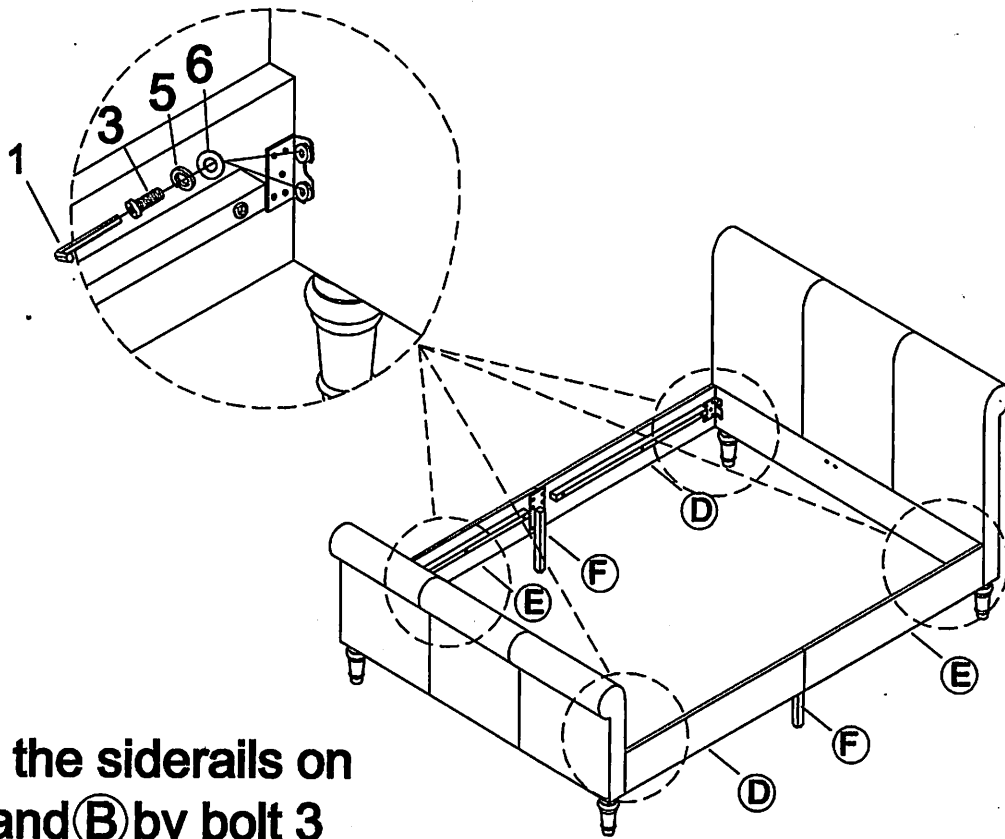
Attach the siderails on the **(A)** and **(B)** by bolt 3

step 3



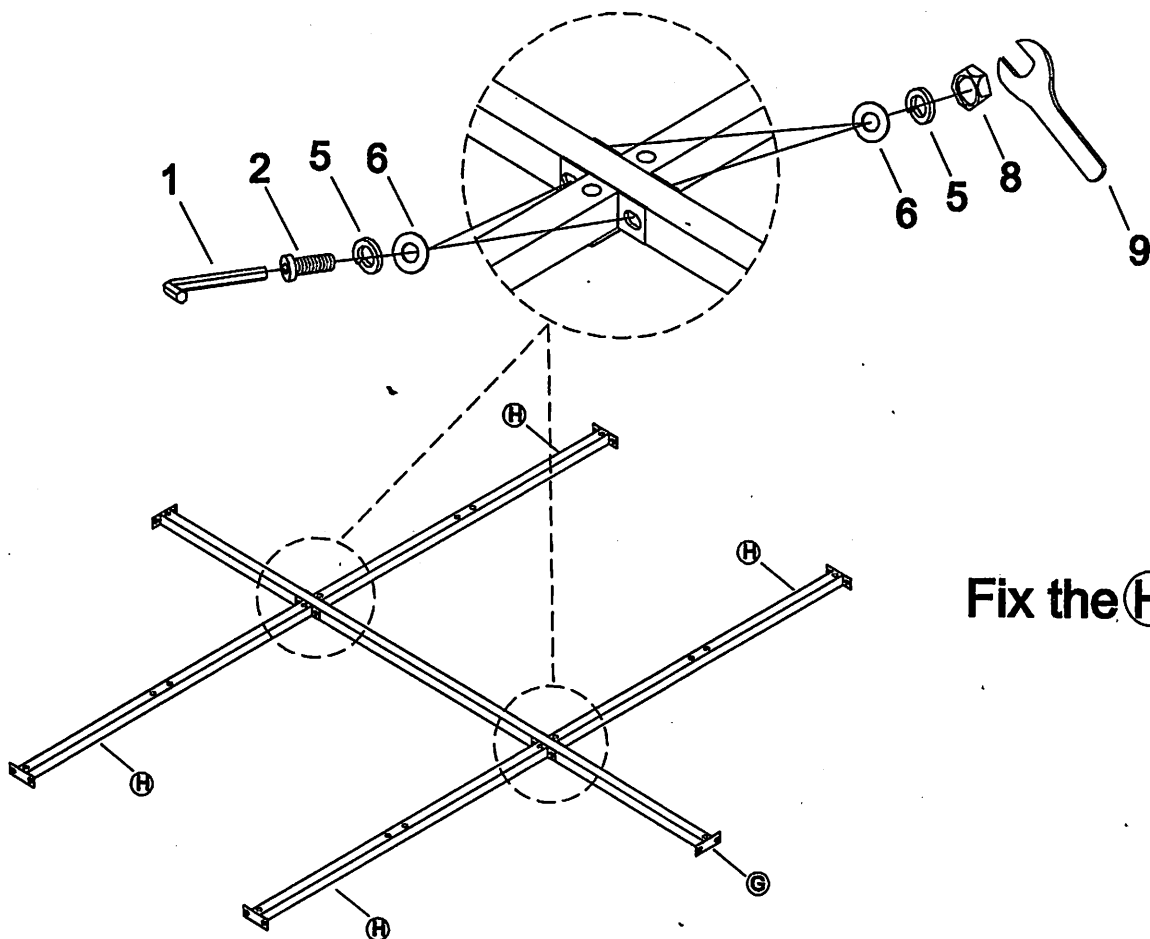
Fix the **(H)** to **(G)**

step 4



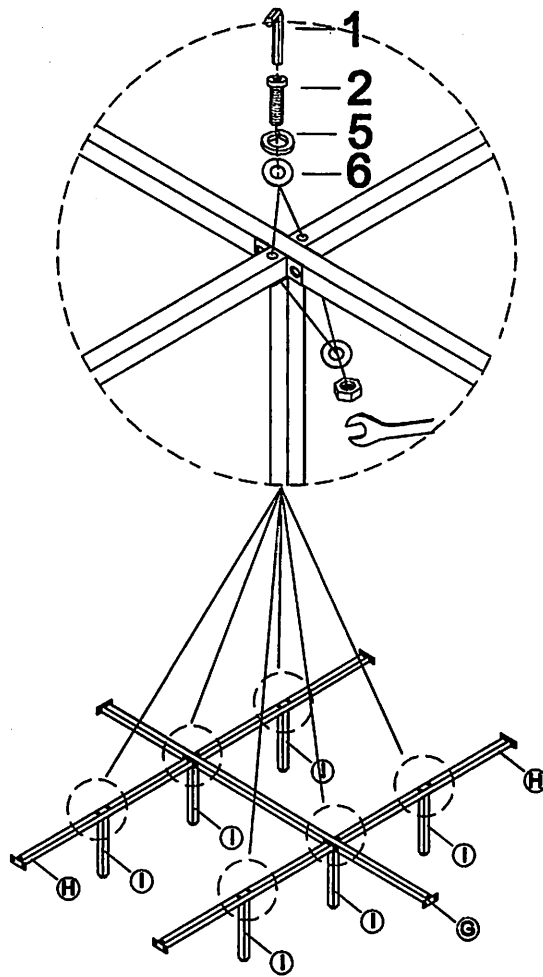
Attach the siderails on the (A) and (B) by bolt 3

step 3



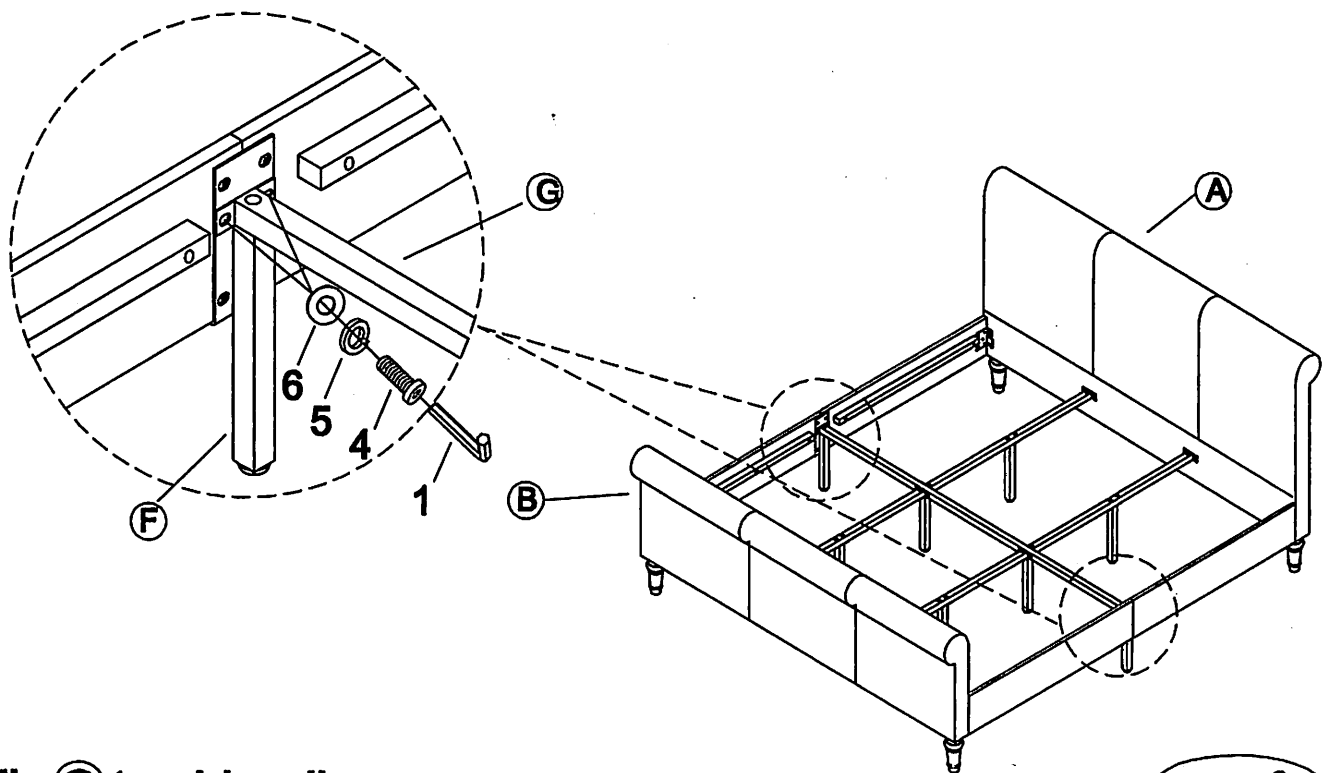
Fix the (H) to (G)

step 4



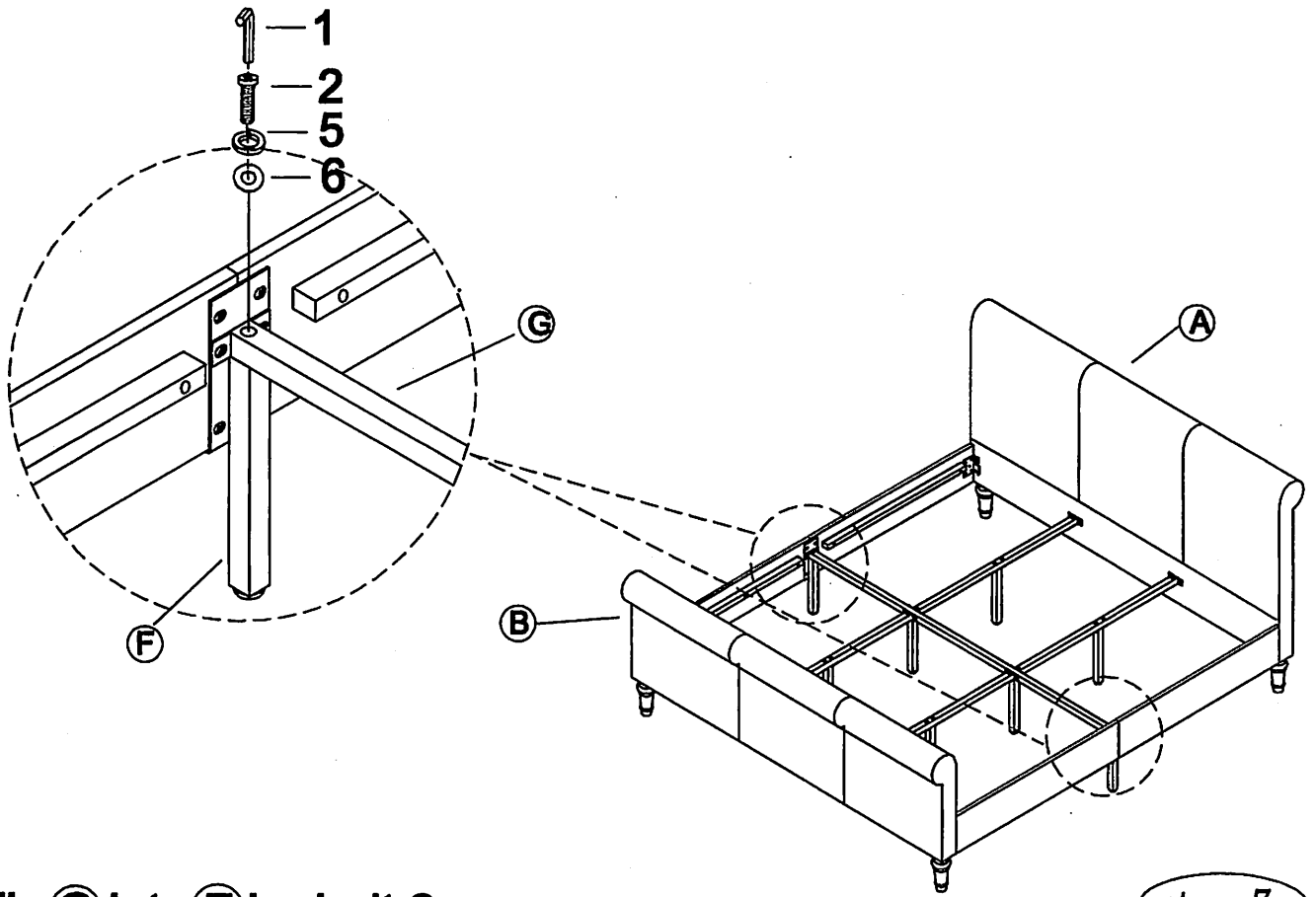
Fix **I** by 2

step 5



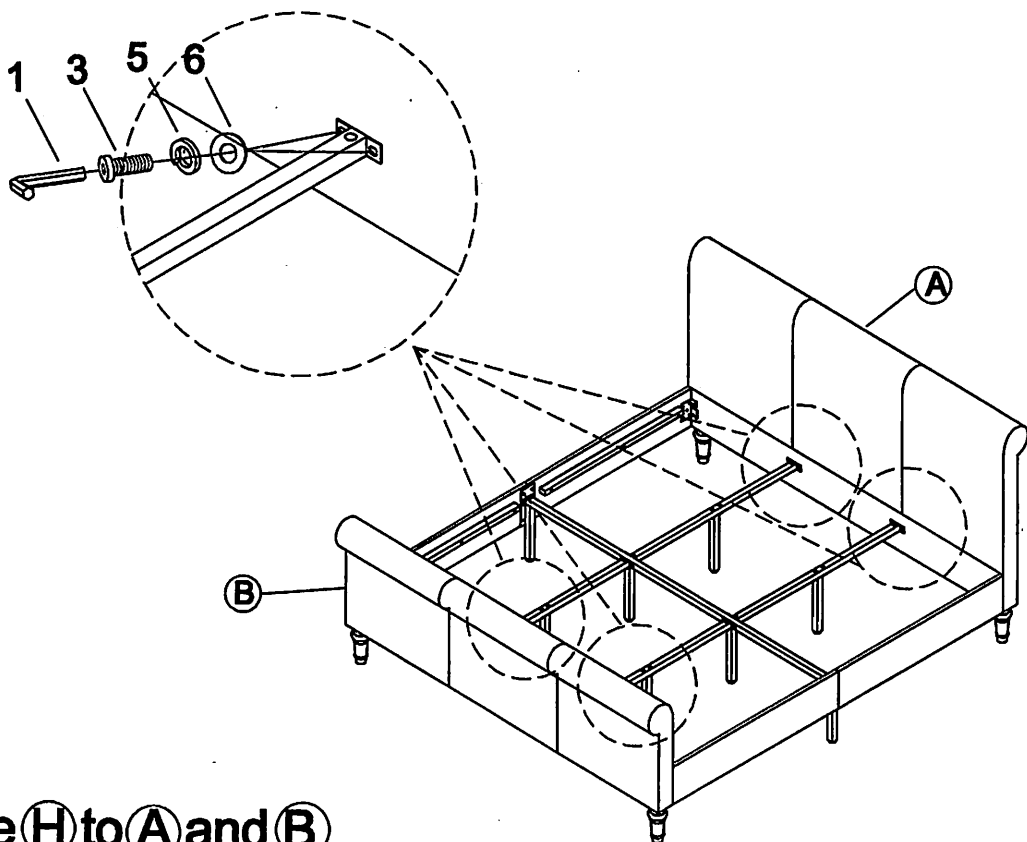
Fix **G** to siderails

step 6



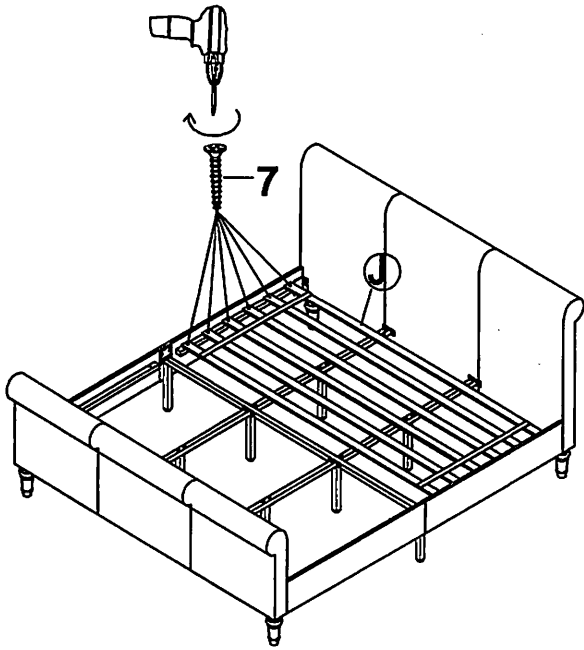
Fix **G** into **F** by bolt 2

step 7



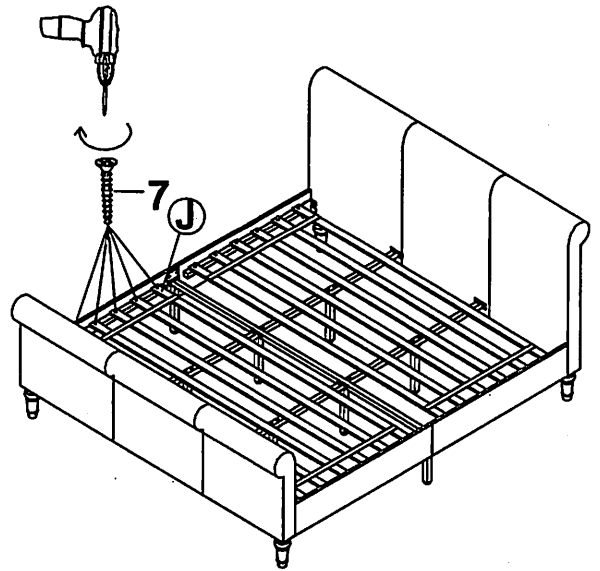
Fix the **H** to **A** and **B**

step 8



step 9

Fix the both end of **J** by 7



step 10

Fix the both end of **J** by 7

