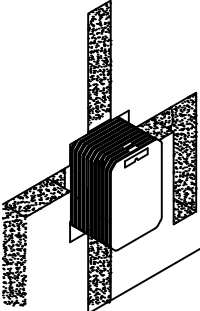
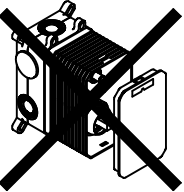


Installation instructions

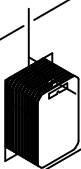
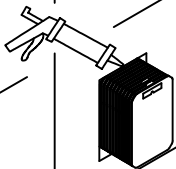
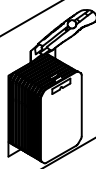
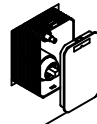
—A solid wall installation

	<p>11. Once again confirm the pipe connection is correct, try no leakage, water shower other embedded component installation, the embedded with the packing box and pipe joint is fixed;</p> <p>12. Solid wall embedded box installed, laid out behind the wall can be follow-up control valve installation.</p> <p>⚠ Note: no leakage after sealing wall for pipe connection correct.</p>
	<p>⚠ Note:</p> <p>1, the laying of the wall not to embed box is open, lest the box into the packing after solidification effect of control valve installation;</p> <p>2, control valve set surface for plating and smooth surface, should be kept inside the original packaging before installation to prevent scratches, corrosion, and lost.</p>

4

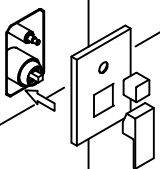
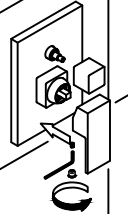
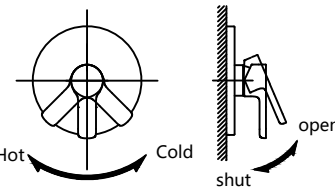
Installation instructions

二. The hollow wall installation

	
<p>1. Laid metope ceramic tile or other adornment metope, keep the metope smooth, with embedded box into 90° vertically;</p>	<p>2. Along the embedded highlights the glass on the edge glue, embed box to improve waterproof performance, prolong service life.</p>
	
<p>3. Cut off using a cutting tool embedded box of highlights, keep away from the wall 2-4 mm highly advisable;</p>	<p>4. Try to remove embedded lifted the lid plate and water components (pictured);</p>

5

Installation instructions

	
<p>5. Installed, control panel, check on panel hole protecting glue before set out, such as unprotected glue set directly into the panel is easy to scratch panel;</p>	<p>6. Install the switch handle, with packing with small hexagonal wrench clockwise to switch handle is fixed on a main valve spool control valve in, install decorative rubber plug;</p>
	<p>1. Handle up open as the main switch, opening Angle that the flow;</p> <p>2. handle swinging to adjust water temperature of mixing, swing to the left, hot water flow rate increases, the cold water inlet flow rate is reduced, the water temperature increases; On the other hand, to the right place, hot water reduce water flow and cold water inlet flow rate increases, the water temperature decrease;</p> <p>3 switch control, water mixed water direction, switch indication up showed that the mixed water when the water pipe out from the above that when water switch 90 degrees counterclockwise refers to the left, show that the mixed water out of the pipe below (single function control valve without this feature).</p>

6

Maintenance instructions

To keep leading the surface bright and lively and good use performance, please click the following method nursing leader:

- 1, rinse it with a soft cotton cloth to wipe dry only;
- 2, can use mild liquid and colorless glass cleaner to remove surface dirt and scale membrane, not gear grinding effect of polishing agent;
- 3, do not use abrasive cleansers, polish, emery cloth, paper towels or scraper, etc.;
- 4, do not use acidic detergents, insoluble granular detergent, soap, etc.;
- 5, in use process, bubbler may accumulate dirt, make water decreases slowly, can open my bubble, rinse after bubbler, install back in place again can.

