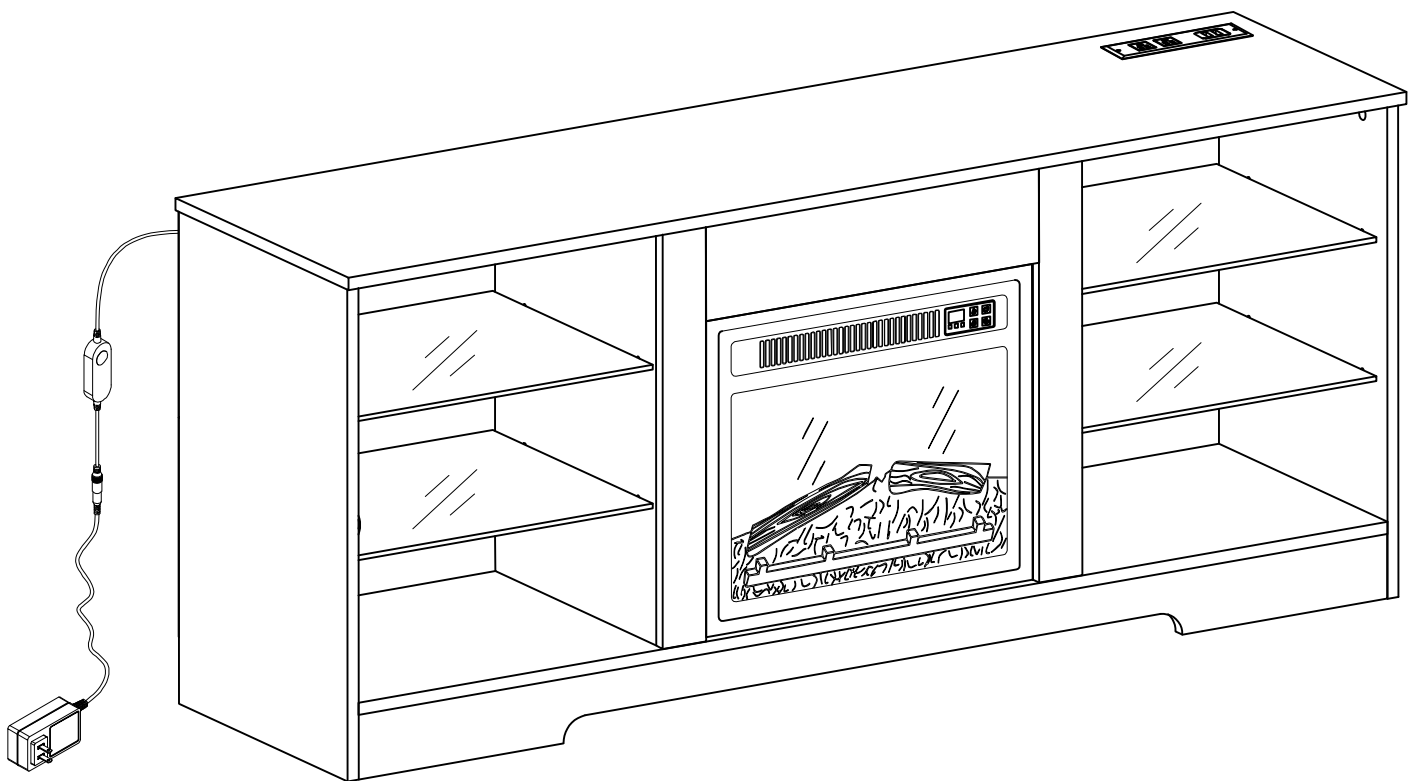
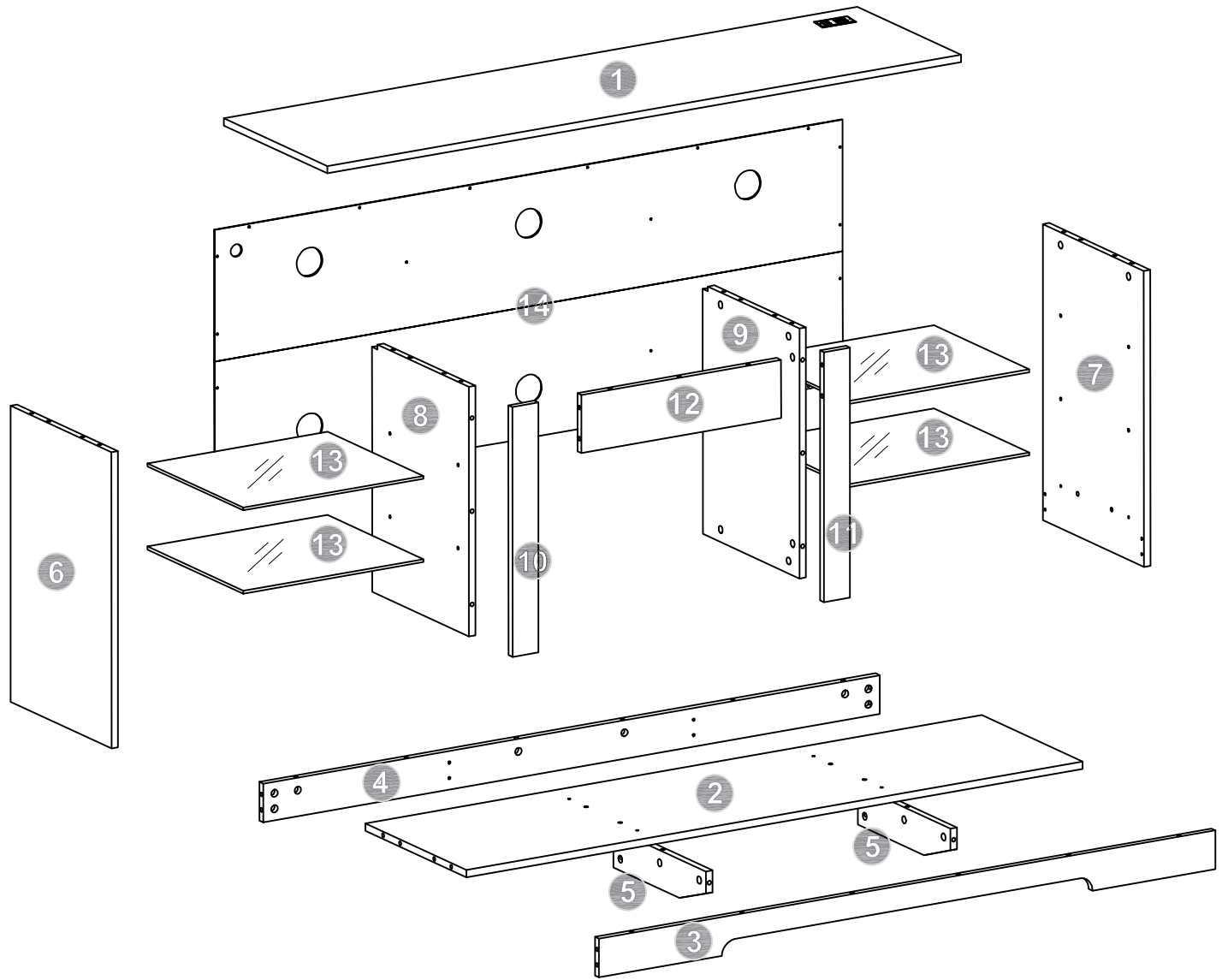


# Lighted TV Stand w/Fi replace


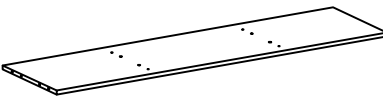
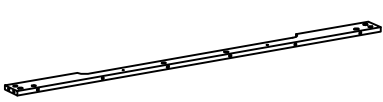
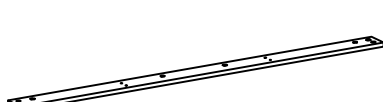
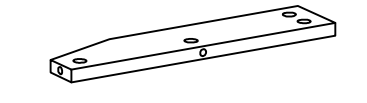
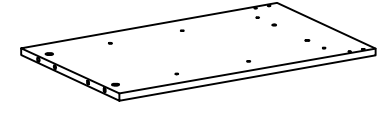
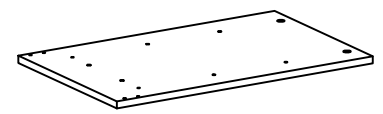
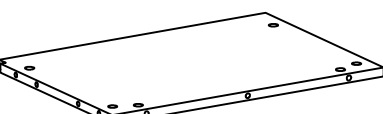
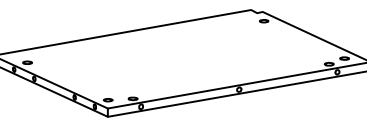
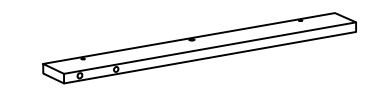
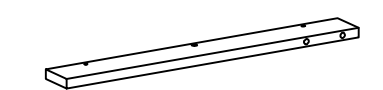
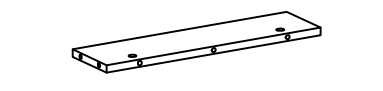
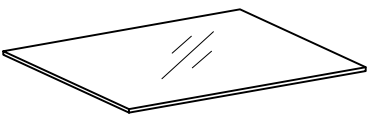
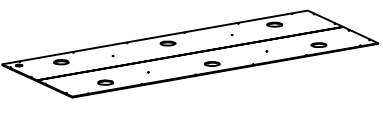
## Assembly Instructions




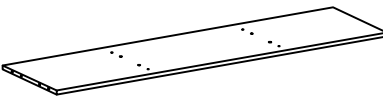
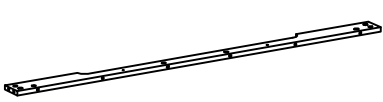
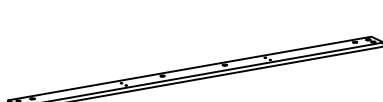
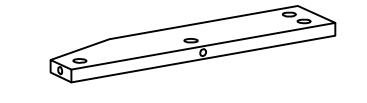
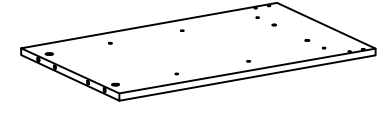
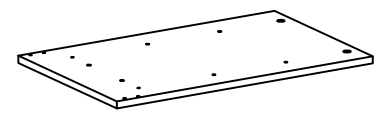
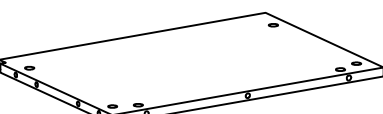
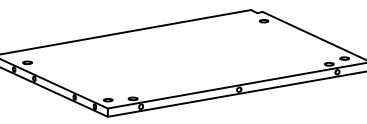
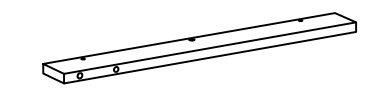
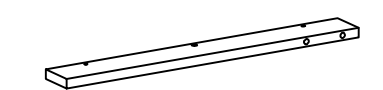
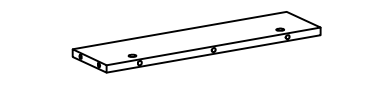
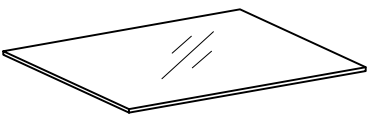
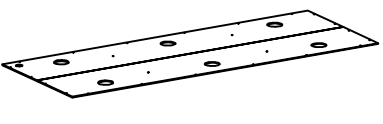
# PACKAGE INCLUDE



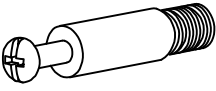
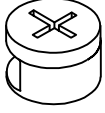
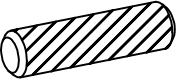
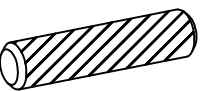
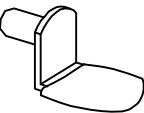
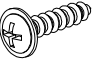
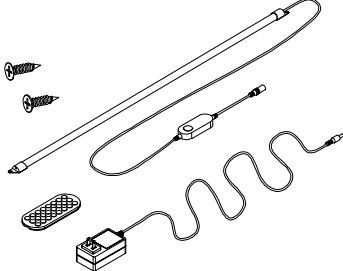
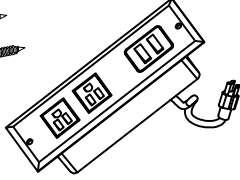
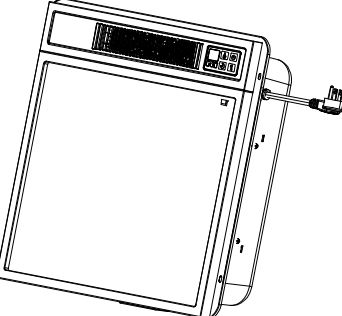
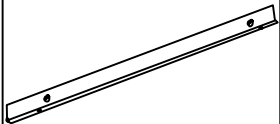


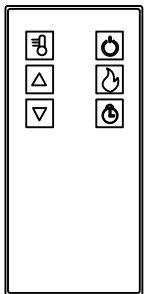
# PART IDENTIFICATION

 <p>1 1x</p>	 <p>2 1x</p>	 <p>3 1x</p>	 <p>4 1x</p>
 <p>5 2x</p>	 <p>6 1x</p>	 <p>7 1x</p>	 <p>8 1x</p>
 <p>9 1x</p>	 <p>10 1x</p>	 <p>11 1x</p>	 <p>12 1x</p>
 <p>13 4x</p>	 <p>14 1x</p>		

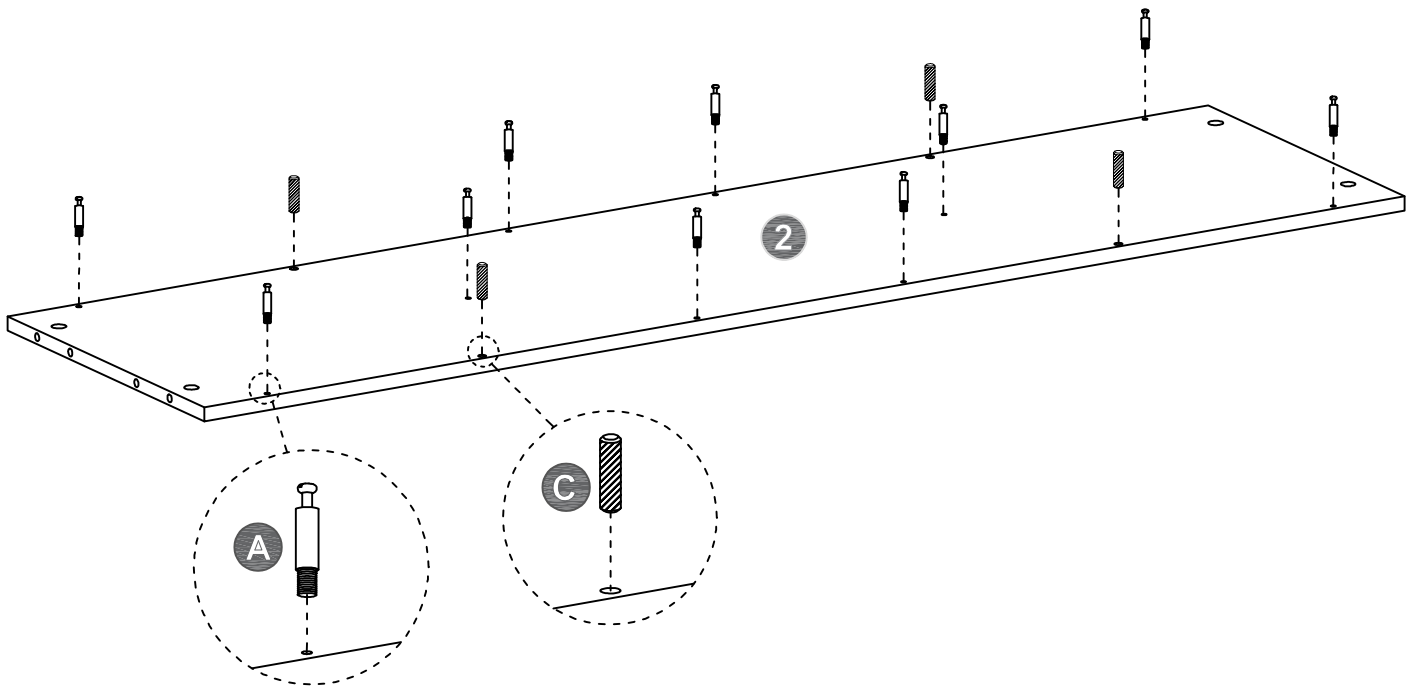
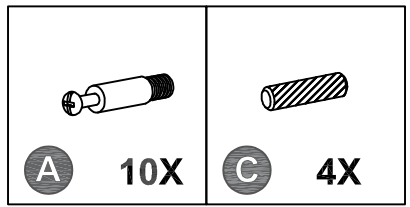
# PART IDENTIFICATION

 <p>1 1x</p>	 <p>2 1x</p>	 <p>3 1x</p>	 <p>4 1x</p>
 <p>5 2x</p>	 <p>6 1x</p>	 <p>7 1x</p>	 <p>8 1x</p>
 <p>9 1x</p>	 <p>10 1x</p>	 <p>11 1x</p>	 <p>12 1x</p>
 <p>13 4x</p>	 <p>14 1x</p>		

# PACKAGE CONTENT

 <p><b>A</b>      <b>46x+1</b></p>	<p><b>Ø15x11MM</b></p>  <p><b>B</b>      <b>46x+1</b></p>	<p><b>Ø8x30MM</b></p>  <p><b>C</b>      <b>23x+1</b></p>	<p><b>Ø8x40MM</b></p>  <p><b>D</b>      <b>4x+1</b></p>	
 <p><b>E</b>      <b>16x</b></p>	<p><b>Ø3x14MM</b></p>  <p><b>F</b>      <b>24x+1</b></p>	 <p><b>G</b>      <b>1x</b></p>	<p><b>Ø3.5X12MM</b></p>  <p><b>K</b></p>	
 <p><b>Fireplace Unit</b></p> <p><b>W</b>      <b>1x</b></p>	 <p><b>Top Trim</b></p> <p><b>X</b>      <b>1x</b></p>	 <p><b>Side Trim</b></p> <p><b>Y</b>      <b>2x</b></p>	 <p><b>Screw</b></p> <p><b>Z</b>      <b>12x</b></p>	 <p><b>Remote Control</b></p> <p><b>H</b>      <b>1x</b></p>

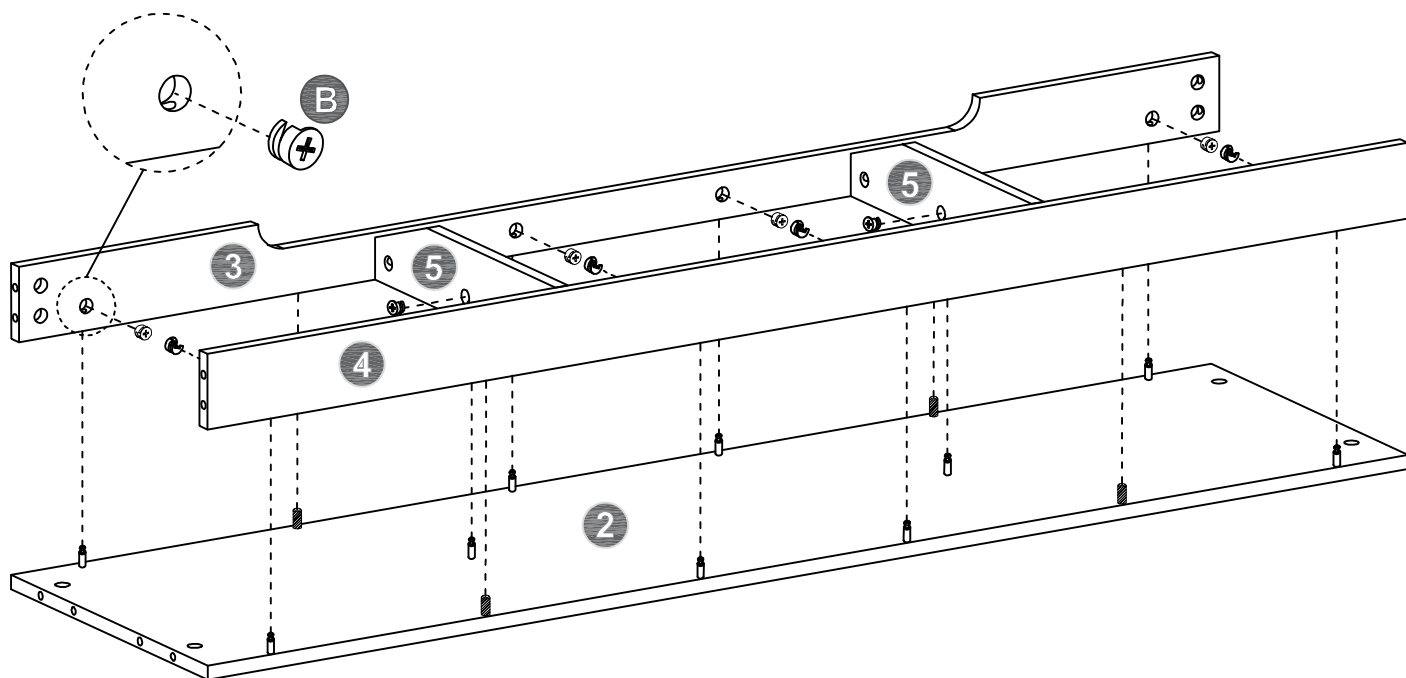
# STEP 2



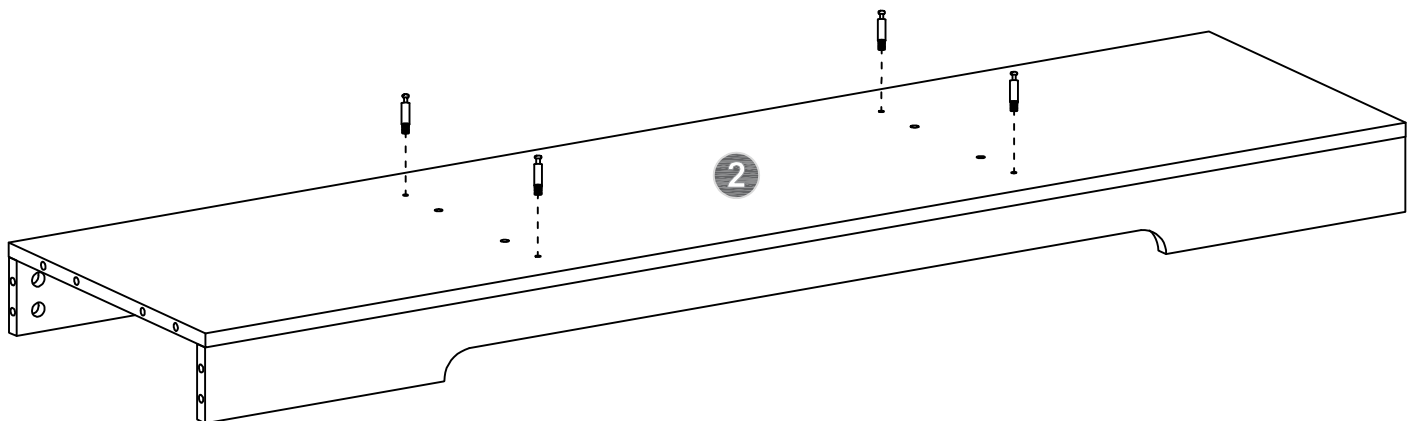
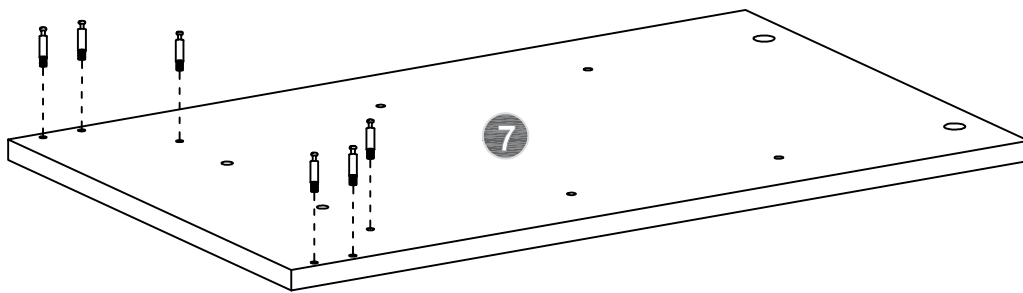
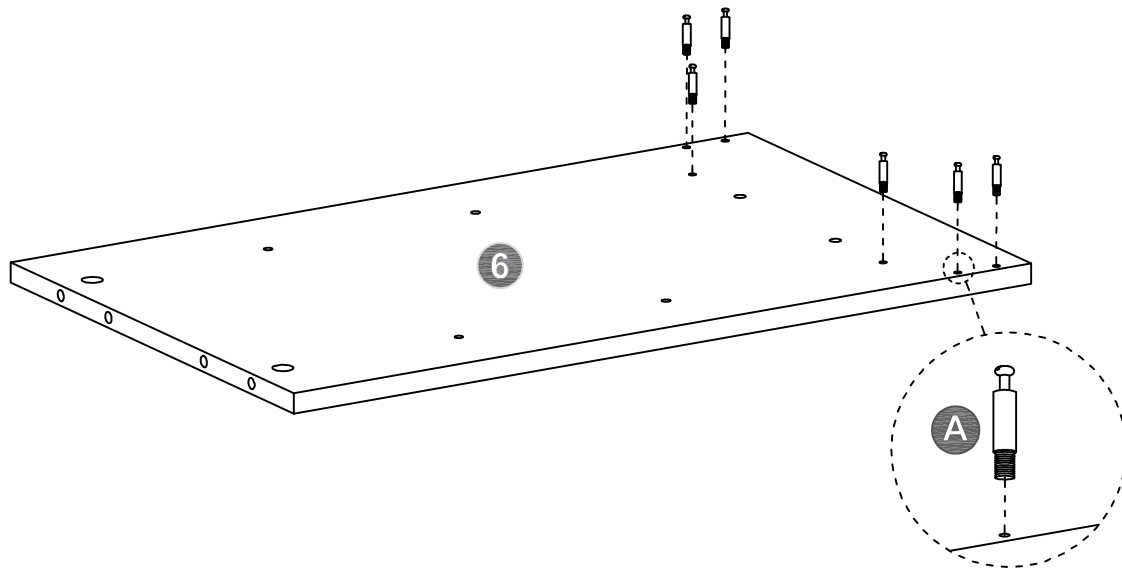
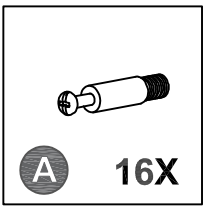
# STEP 3





**B** 10X

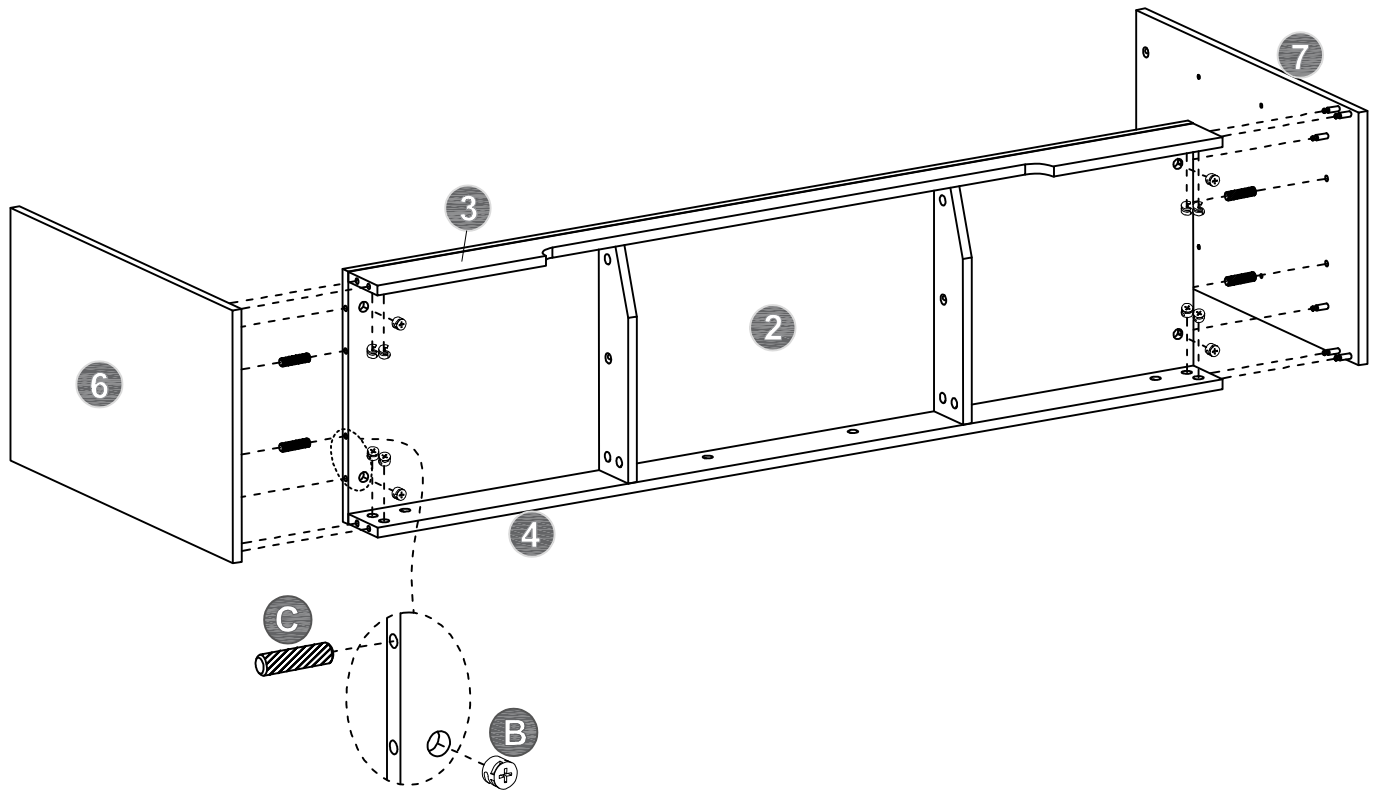


# STEP 4

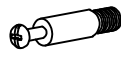




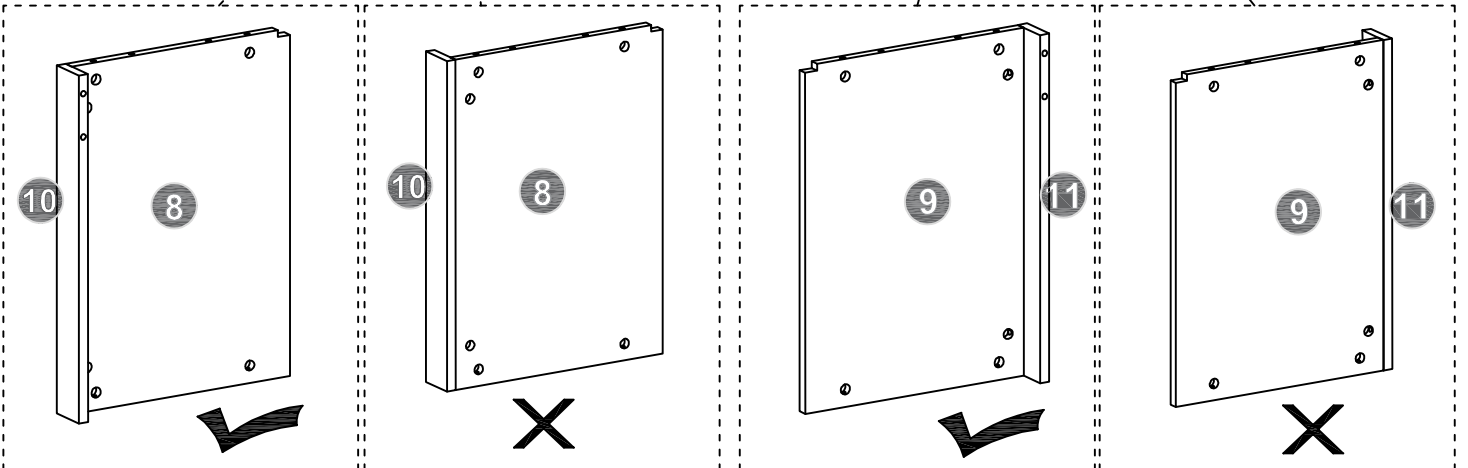
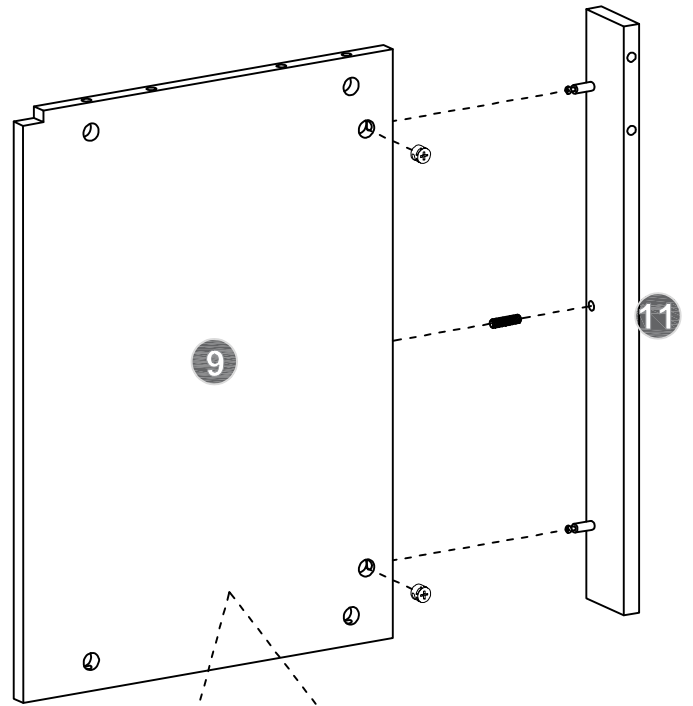
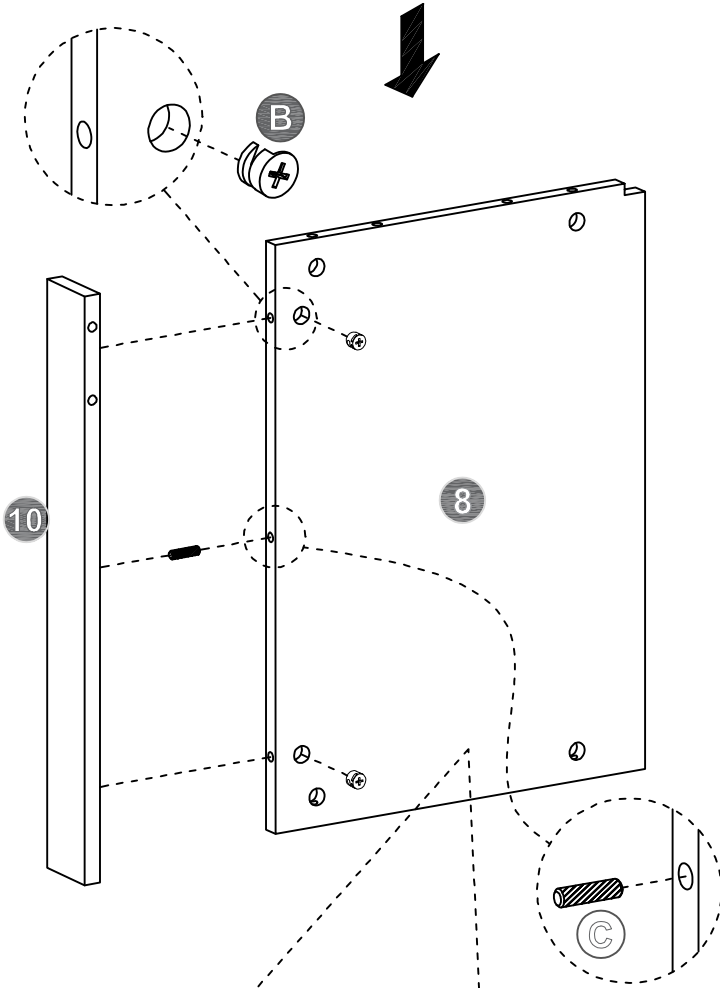
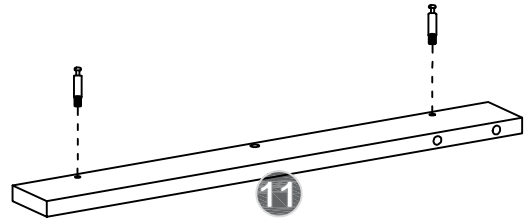
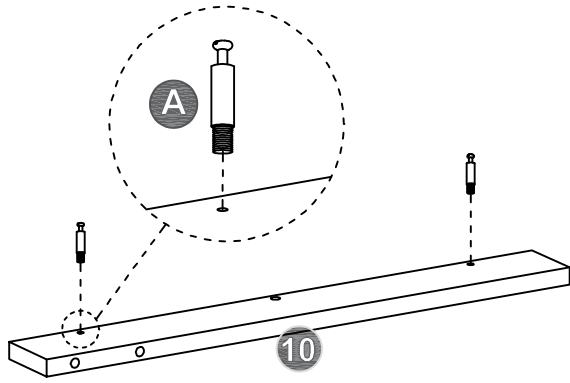
# STEP 5

	
<b>B</b> 12X	<b>C</b> 4X

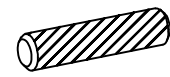


# STEP 6

 <b>A</b> 4X	 <b>B</b> 4X	 <b>C</b> 2X
---	---	---

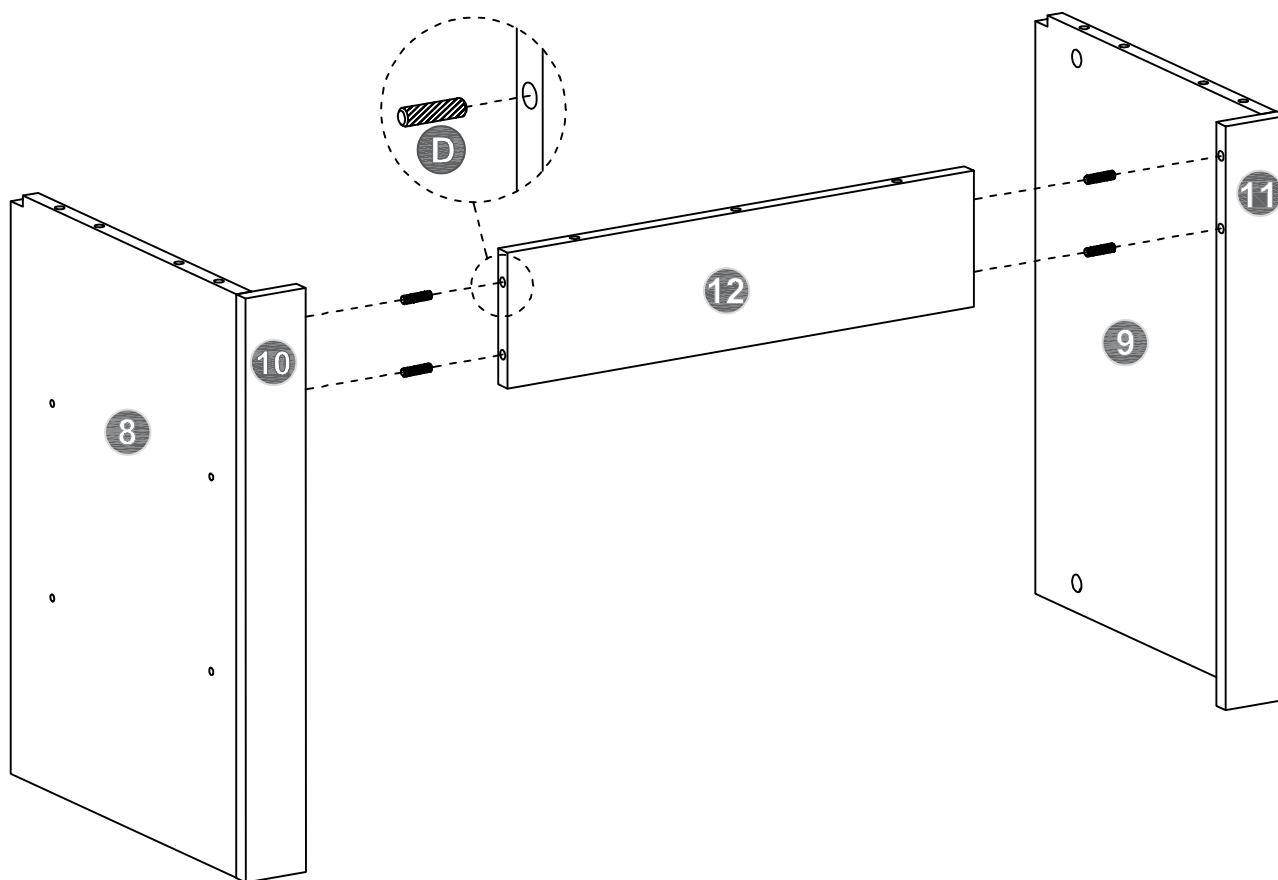


# STEP 7





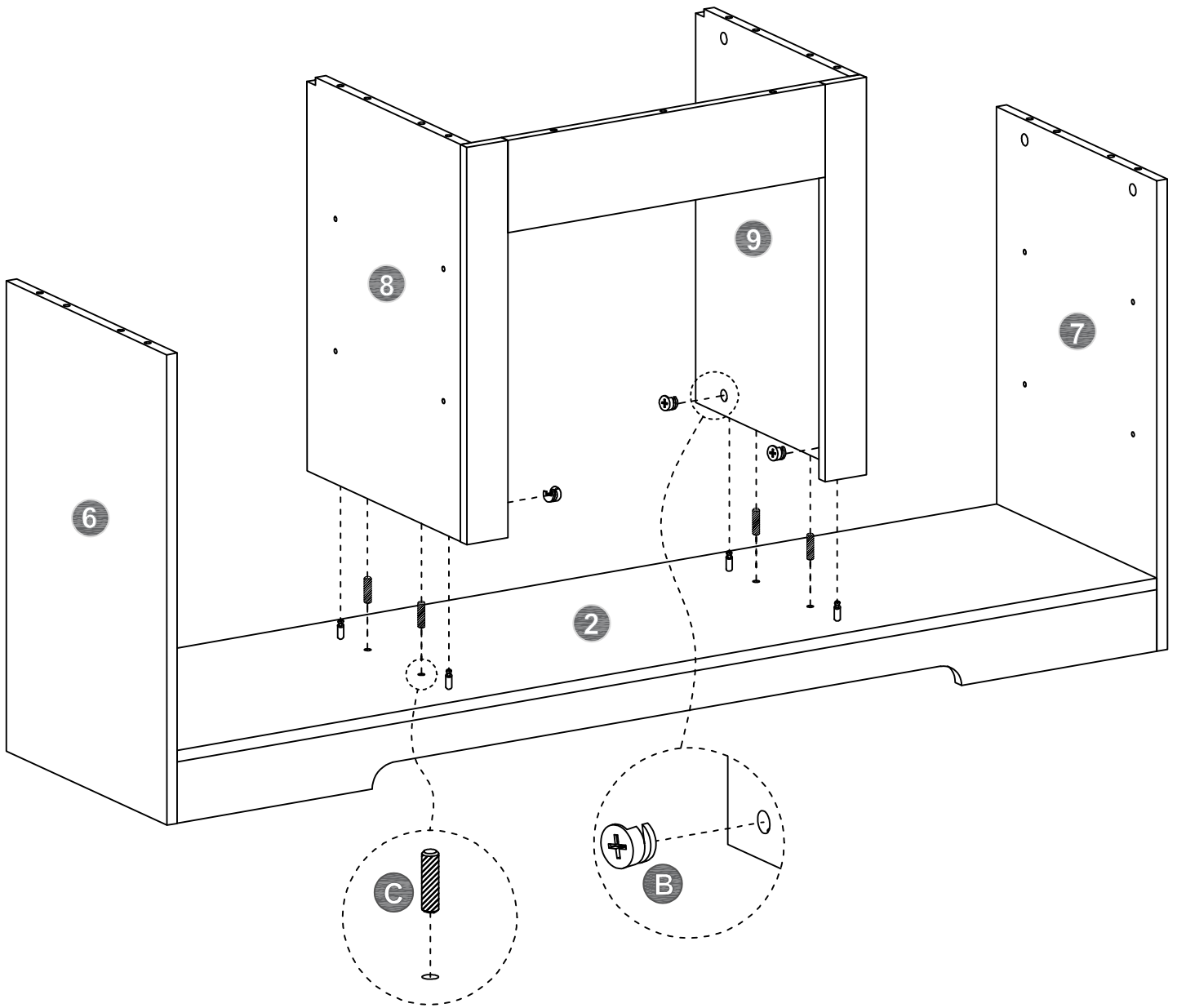
D

4X

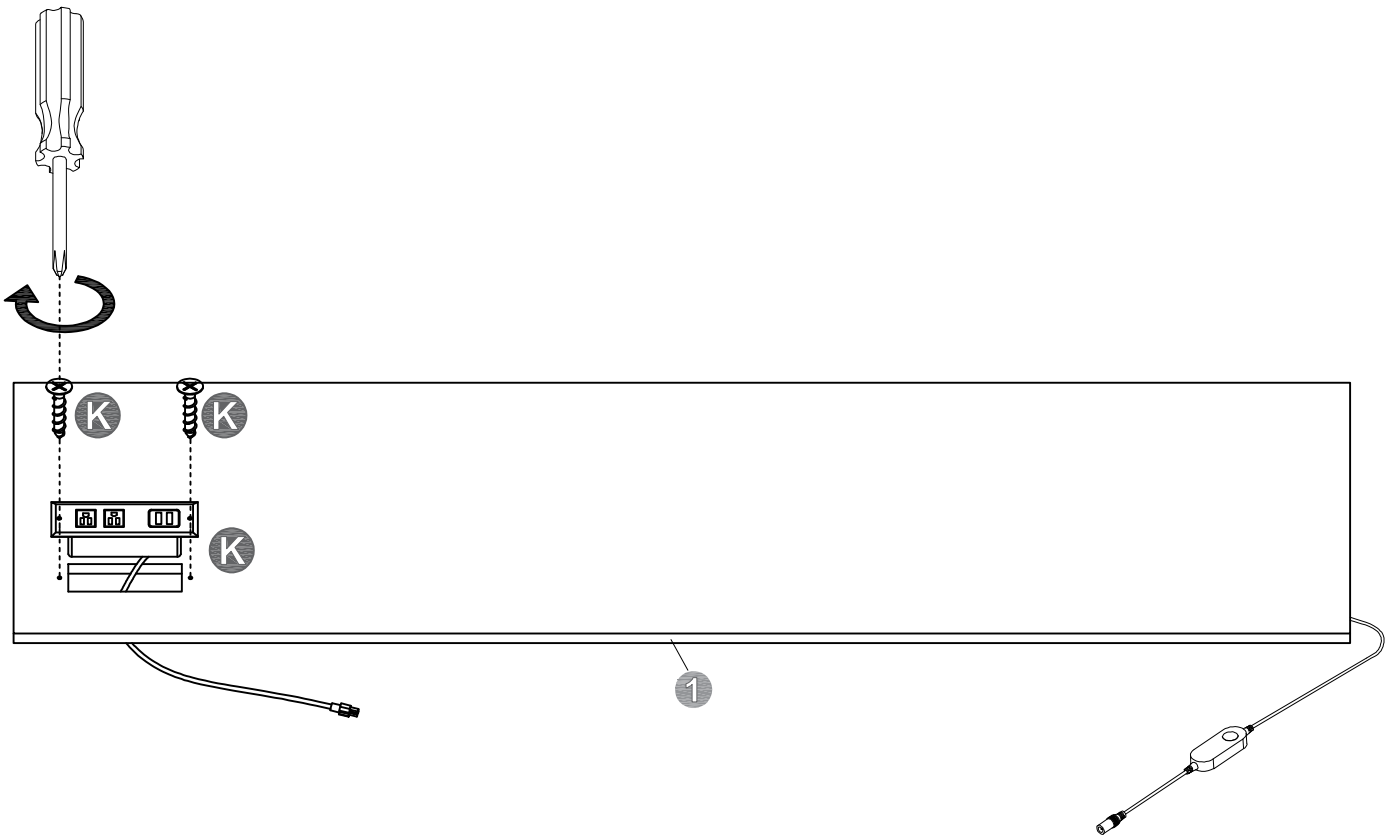
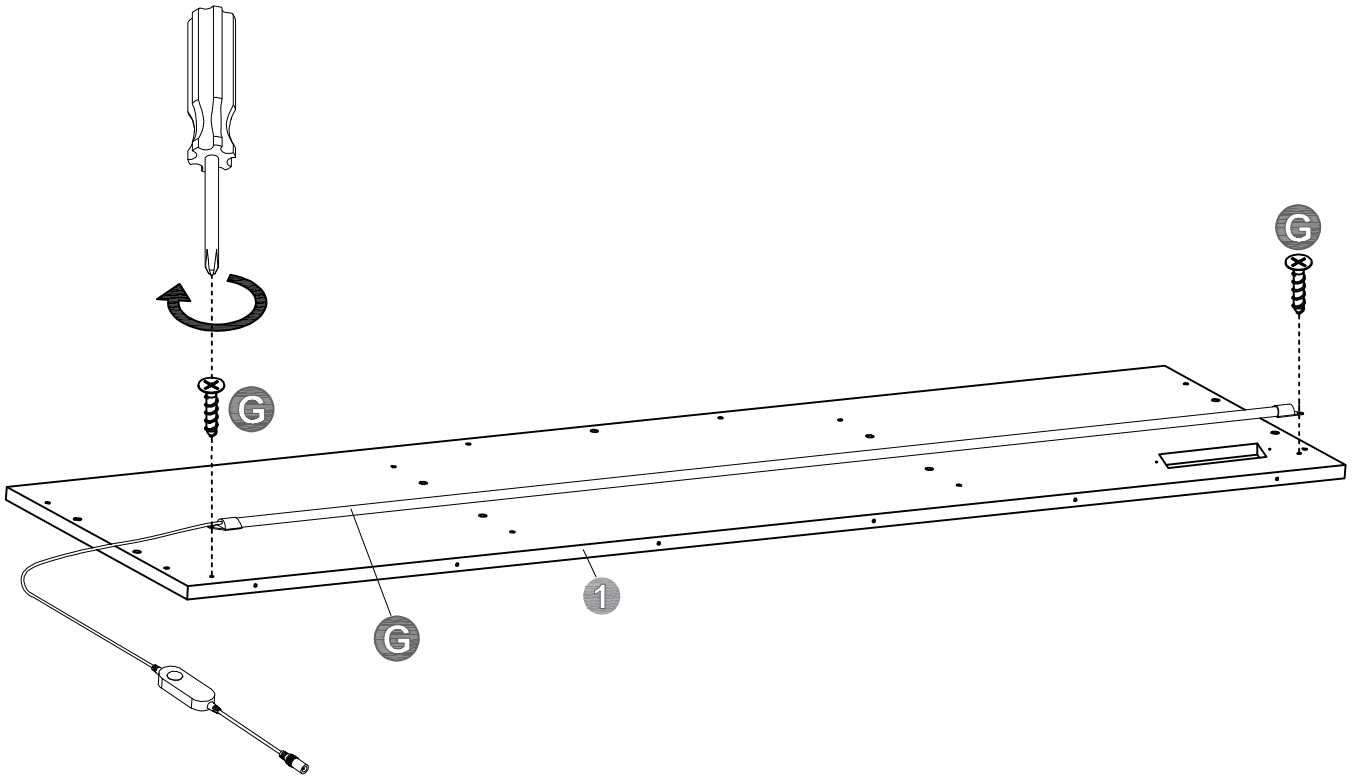
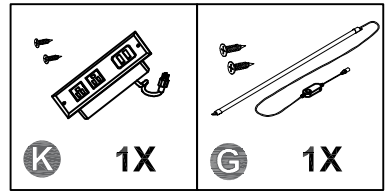


# STEP 8

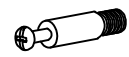


	
<b>B</b> 4X	<b>C</b> 4X

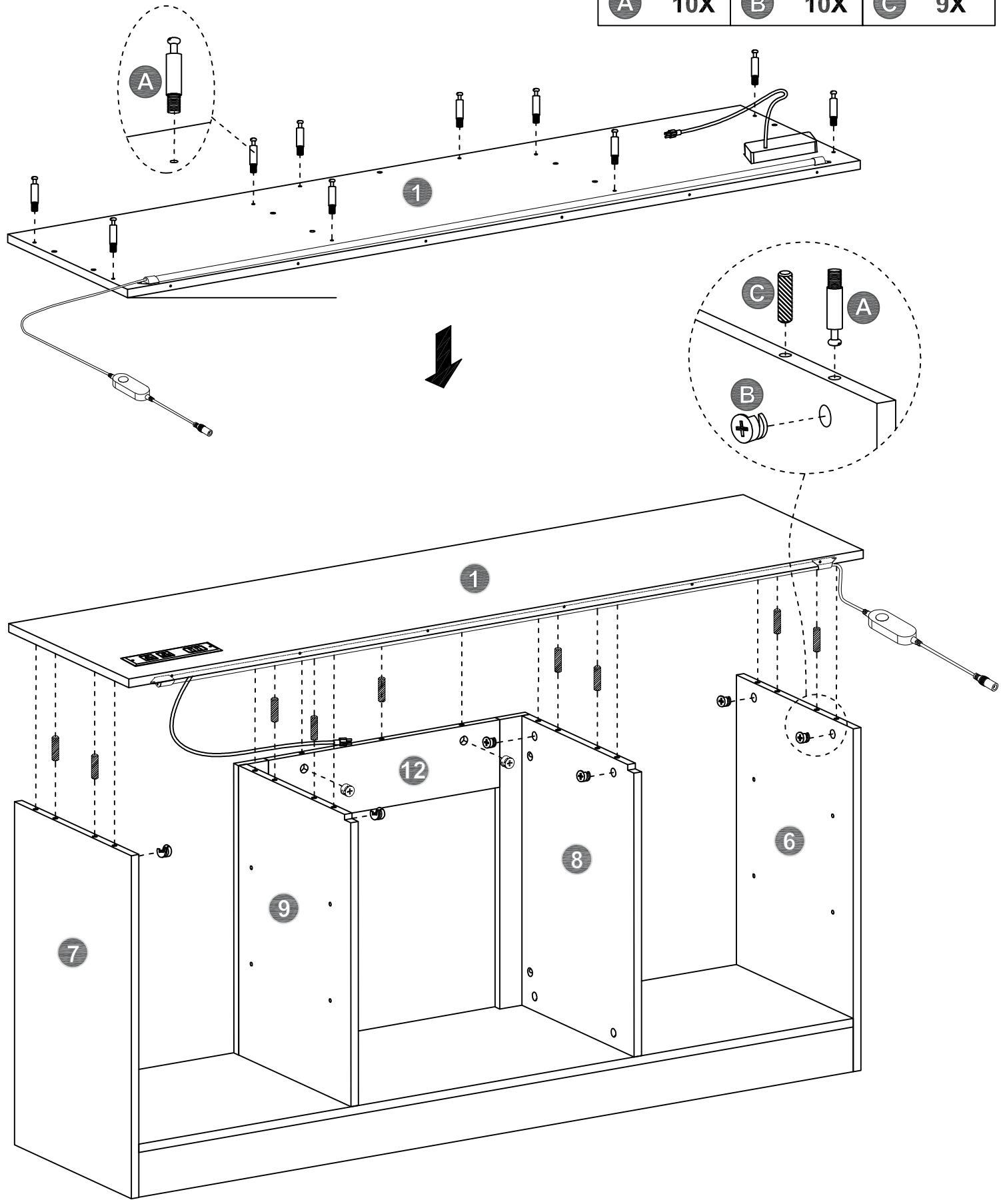


# STEP 9

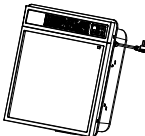



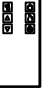


# STEP 10

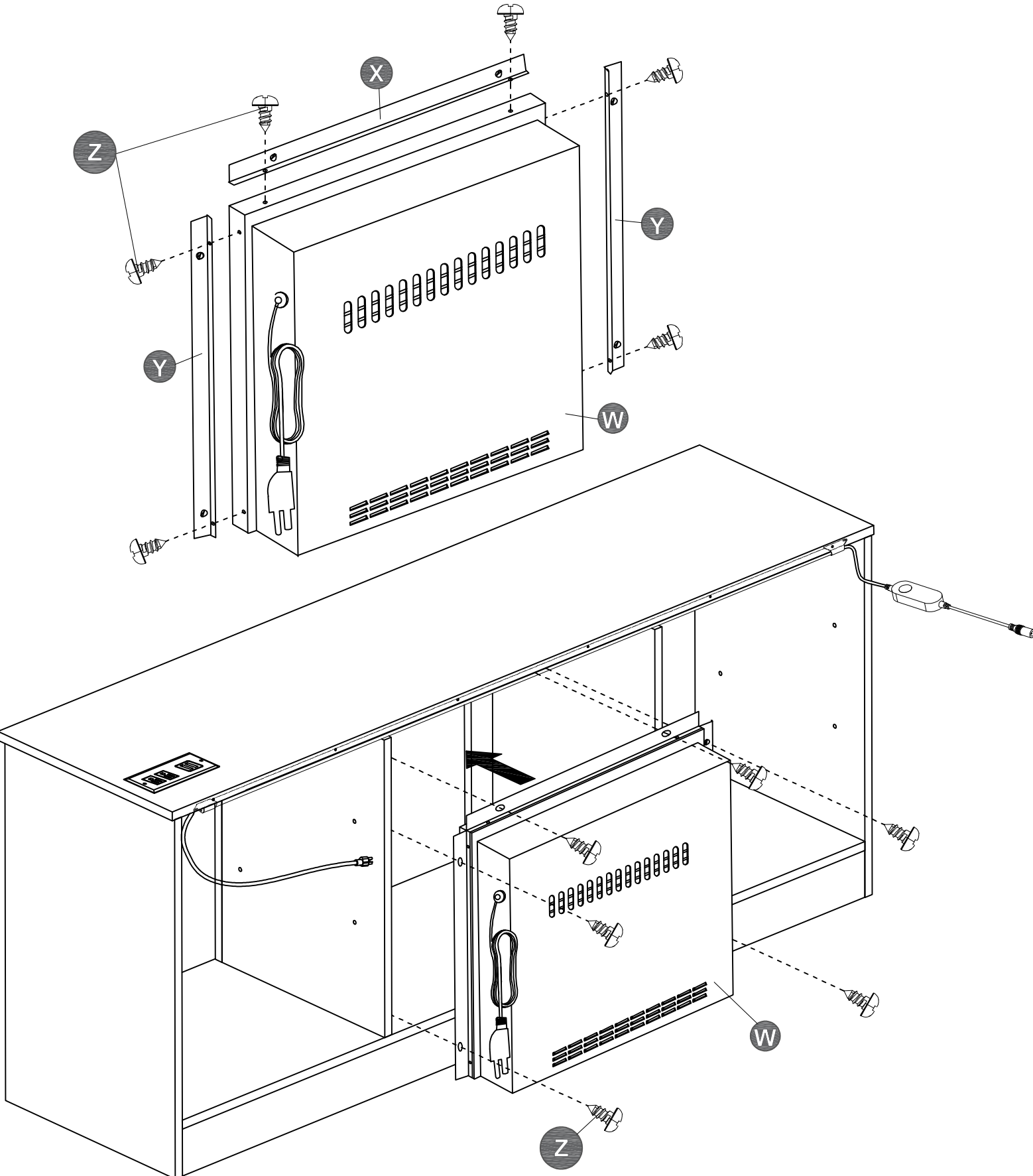
		
<b>A</b> 10X	<b>B</b> 10X	<b>C</b> 9X



# STEP 11

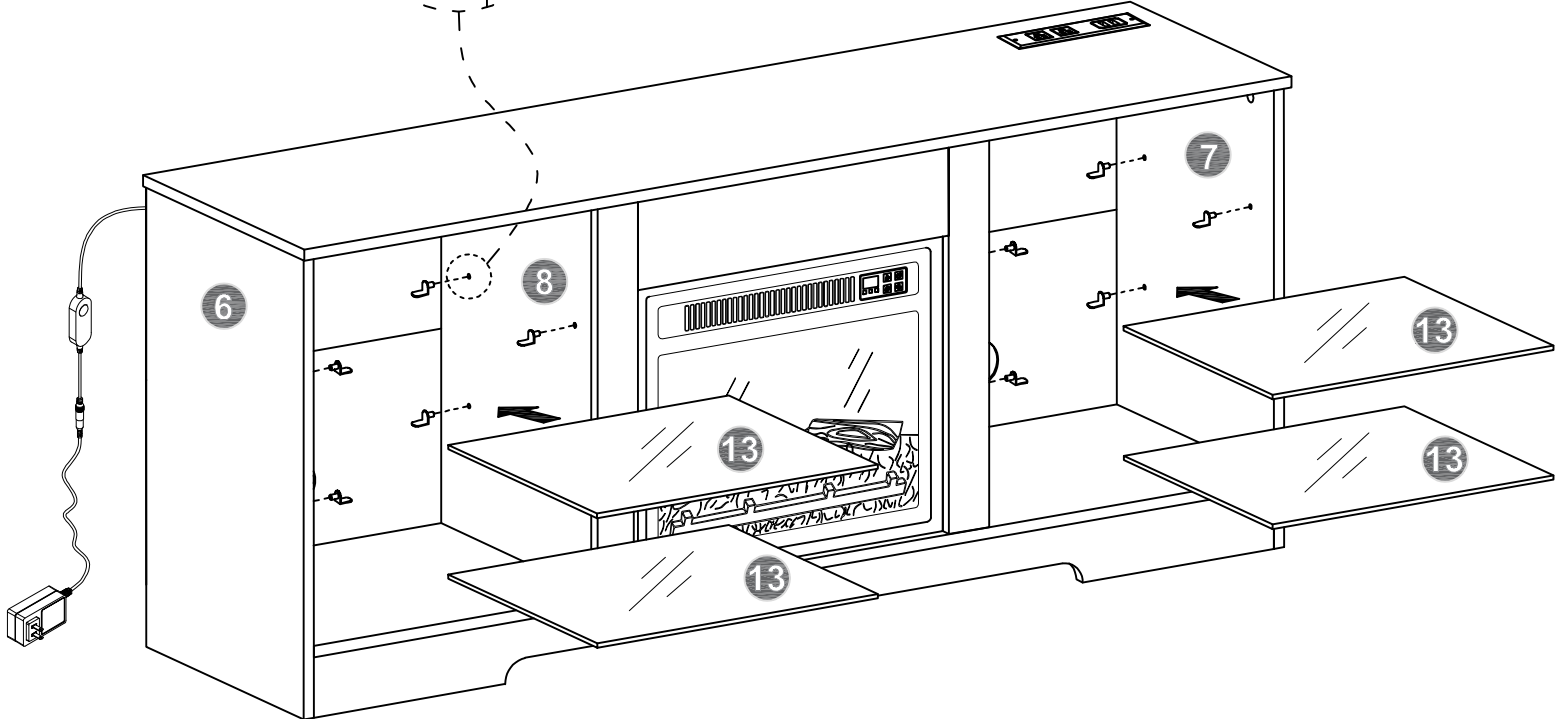
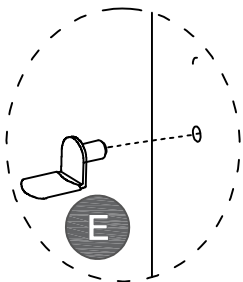
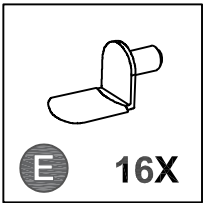
 W 1X	 X 1X	 Y 2X	 Z 12X	 H 1X
--	--	--	---	--

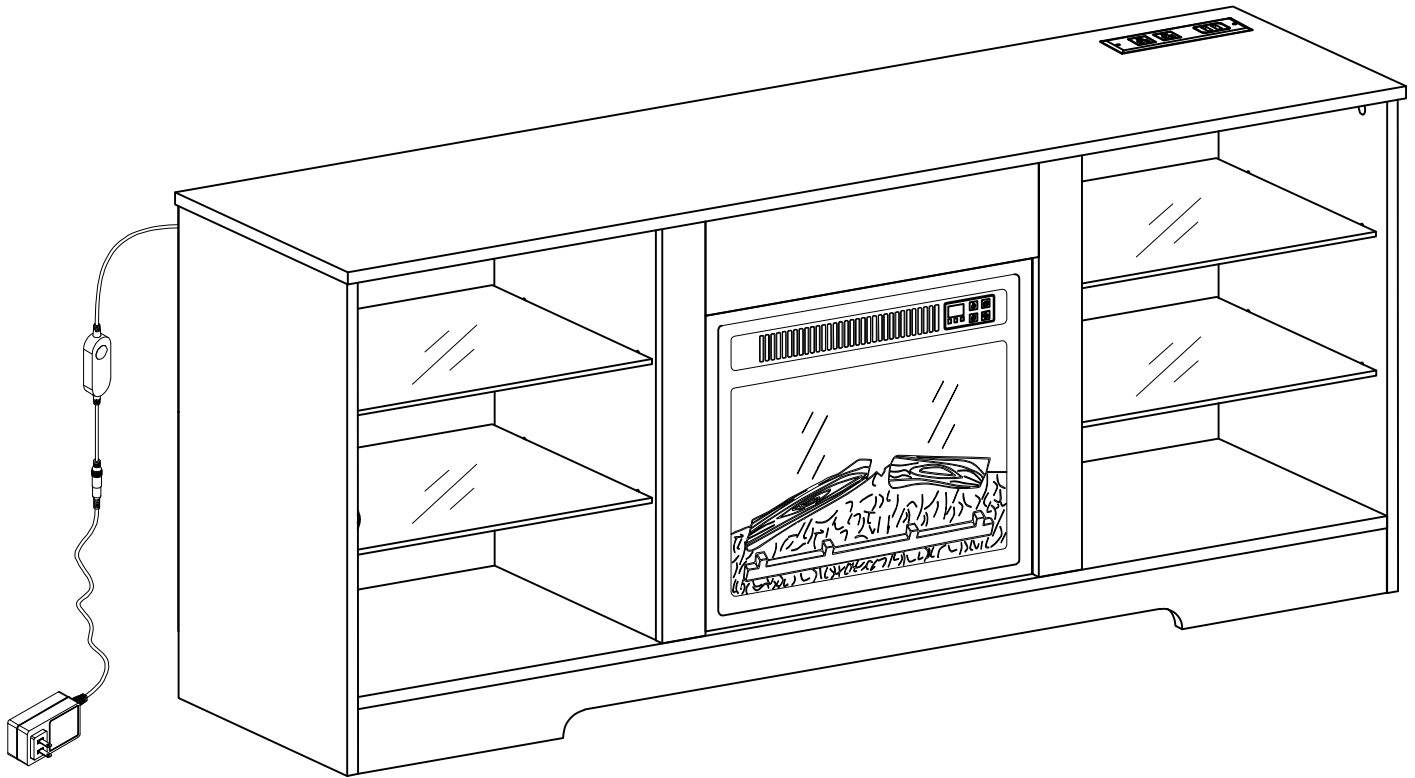
**NOTE: Make sure two side trims are installed correctly.**



**NOTE: Do not attempt to install the unit from the front of the mantel. It will not fit.**







Congratulations on doing it.