

Thank you for choosing a **Palace Imports** product.

Your complete satisfaction is our top priority.

Customer Service and Warranty Information

- **For Warranty Assistance:**

If you experience any issues or require additional information regarding your warranty, please do not contact the place of purchase. Instead, reach out directly to our Customer Service Team at info@palaceimportsinc.com or visit our website at www.palaceimportsinc.com for prompt support.

- **Warranty Coverage:**

PALACE IMPORTS warrants its products to the original purchaser against defects in materials or workmanship. A defect is defined as any flaw that impairs the normal use of the product. This warranty is limited to the replacement of defective parts or components and is valid for one (1) year from the date of purchase.

- **Warranty Limitations:**

This warranty covers products used under normal household conditions. It does not apply to furniture used outdoors or damage resulting from improper assembly or disassembly, product modification, intentional damage, accidents, misuse, exposure to elements, or any labor or assembly costs.

- **Additional Terms:**

PALACE IMPORTS reserves the right to require proof of purchase to process any warranty claim. We are not liable for any incidental or consequential damages arising from the misuse of our products.

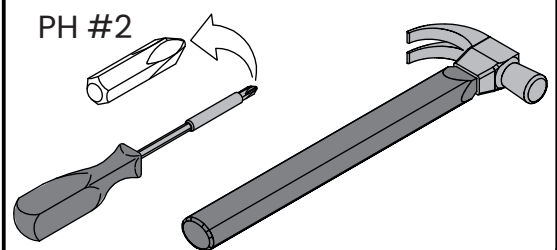
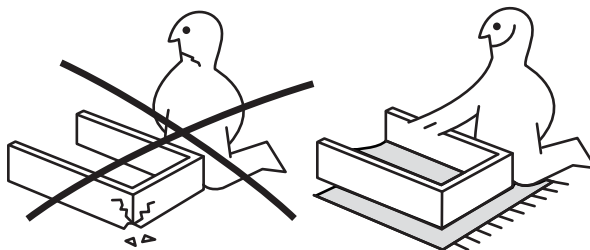
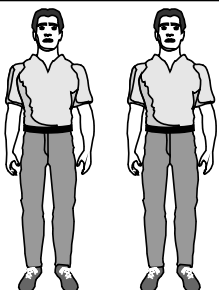
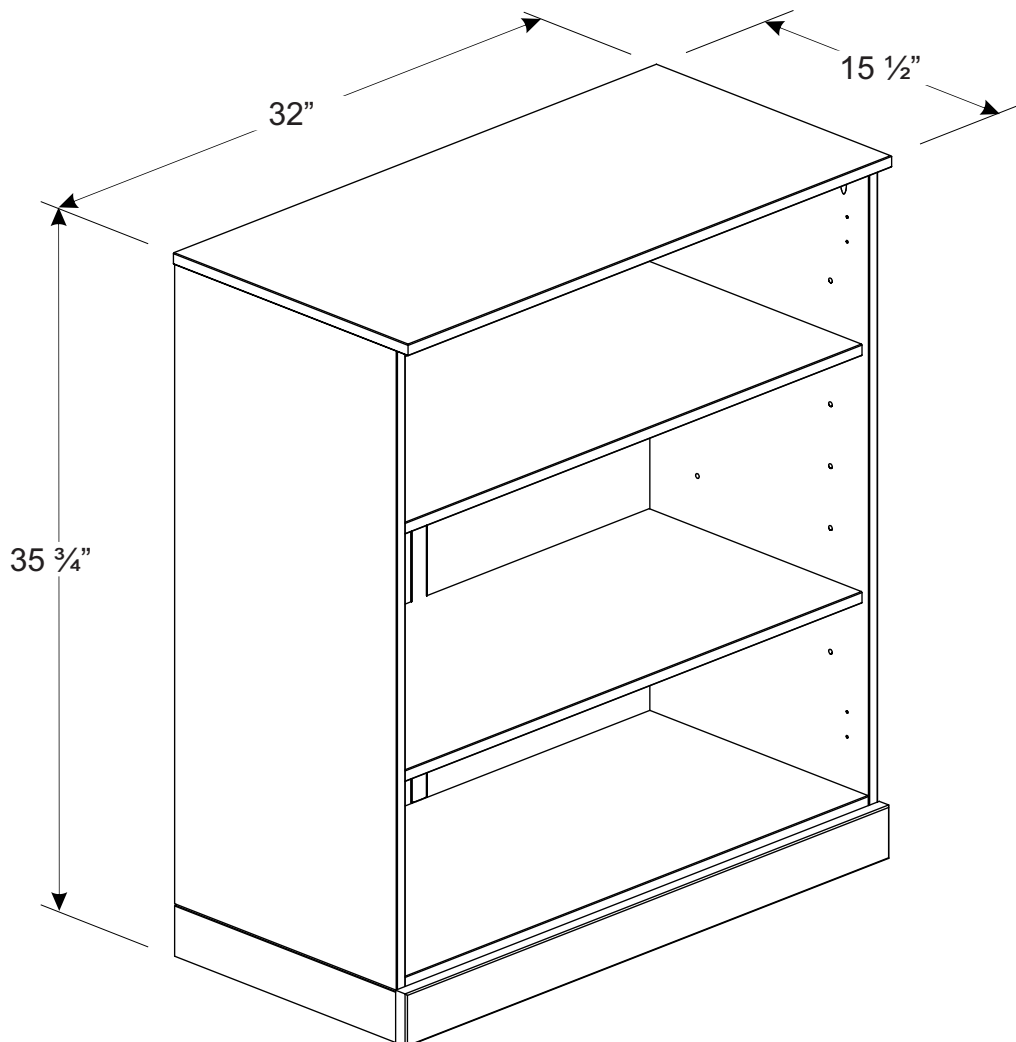


ASSEMBLY GUIDE

32" UNIT

SKU 9201 - White
SKU 9203 - Mocha
SKU 9205 - Gray
SKU 9207 - Black
SKU 9208 - Teal
SKU 920-10 - Yellow

SKU 920-11 - Aqua
SKU 920-12 - Green
SKU 920-13 - Sage
SKU 920-14 - Beige
SKU 920-15 - Navy Blue
SKU 920-16 - Antique Blue



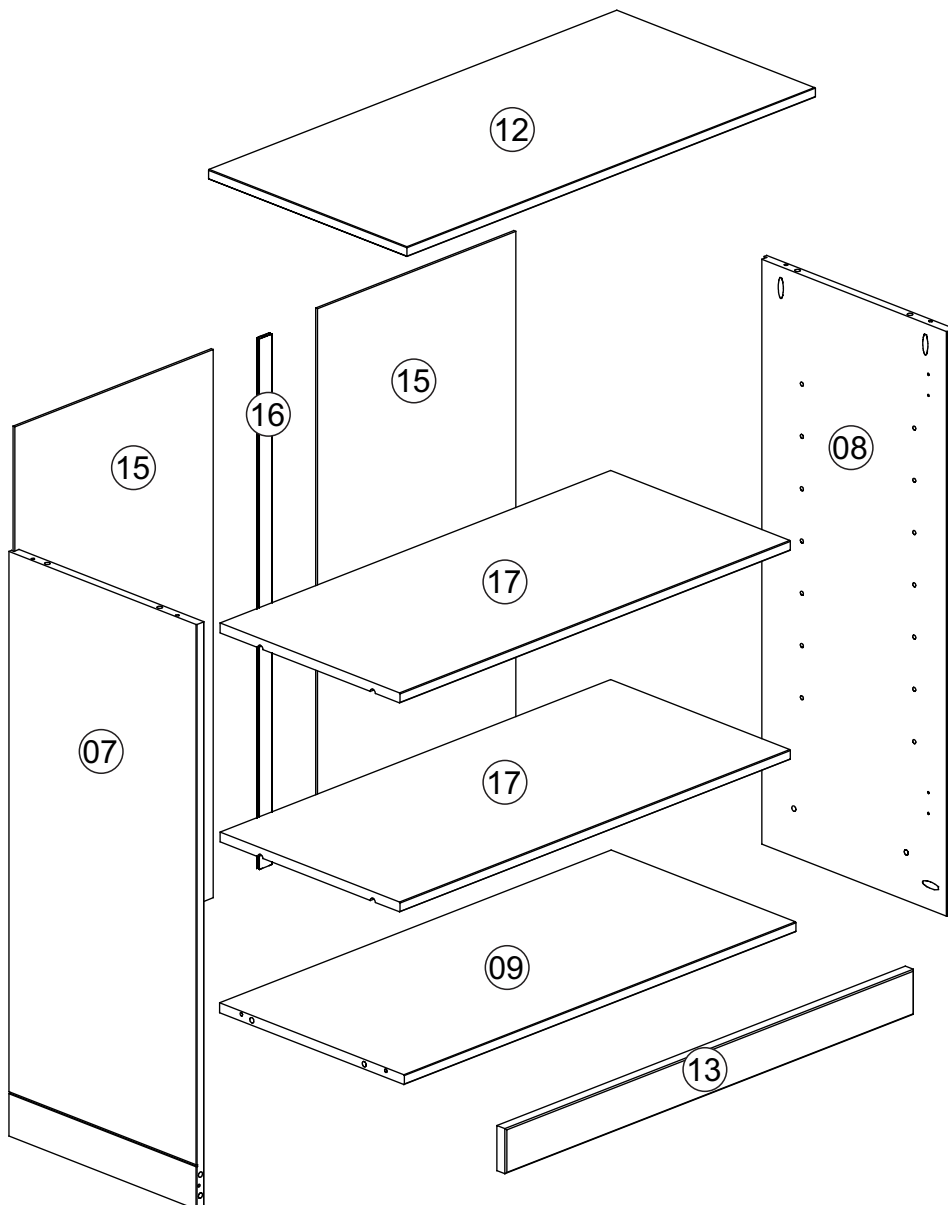
Before You Begin Assembly

- Carefully inspect the package contents. A complete parts checklist is provided below.
- If any parts are missing or damaged, please contact us at info@palaceimportsinc.com for assistance.


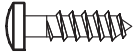
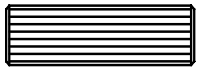
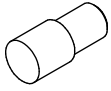

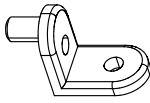
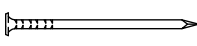
Assembly Tips

- Assemble the item on a flat, smooth surface. We recommend placing a blanket or protective covering underneath to prevent scratches.
- Use a power drill **only at a low-speed setting** to avoid damaging components.
- Assemble the product as close as possible to its final location to minimize the need for moving it later.
- Important: The hardware pack contains small parts that may pose a choking hazard.
Keep all small items out of reach of young children.

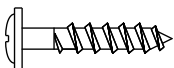
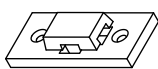

PARTS LAYOUT



Screws Are Illustrated at Actual Size for Accurate Reference

A1	 4,0x30	10+1
A44	 3,5x14	6+1
C2	 8,0x25	12+1
D4		08+1
D48	 31x13	02
D57	 18x17x2,5	01
G1	 10x10	30

TIPOVER RESTRAINT KIT

A47	 3,0x20	02+1
F8		02
F15	 300 - 11 3/4"	01



**WARNING:
CHOKING HAZARD**

Contains small parts - choking hazard.
Adult supervision is required during assembly.
Not suitable for children under 3 years of age.

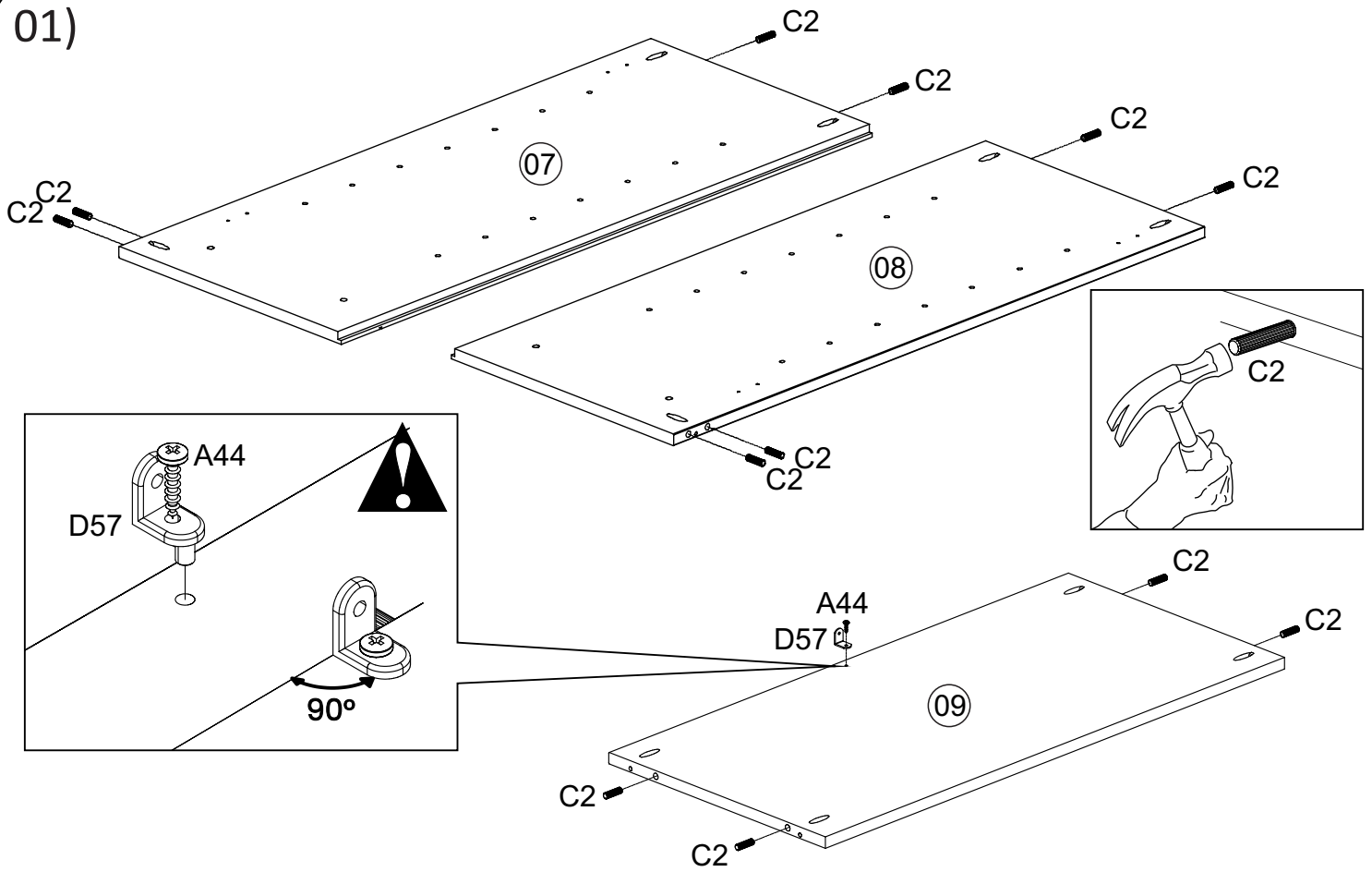


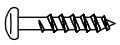
WARNING:


Important Safety Notice:

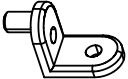
This furniture includes tip-over prevention hardware, which **MUST** be securely attached to the wall as outlined in the assembly instructions. Failure to do so may result in serious injury or death.

01)

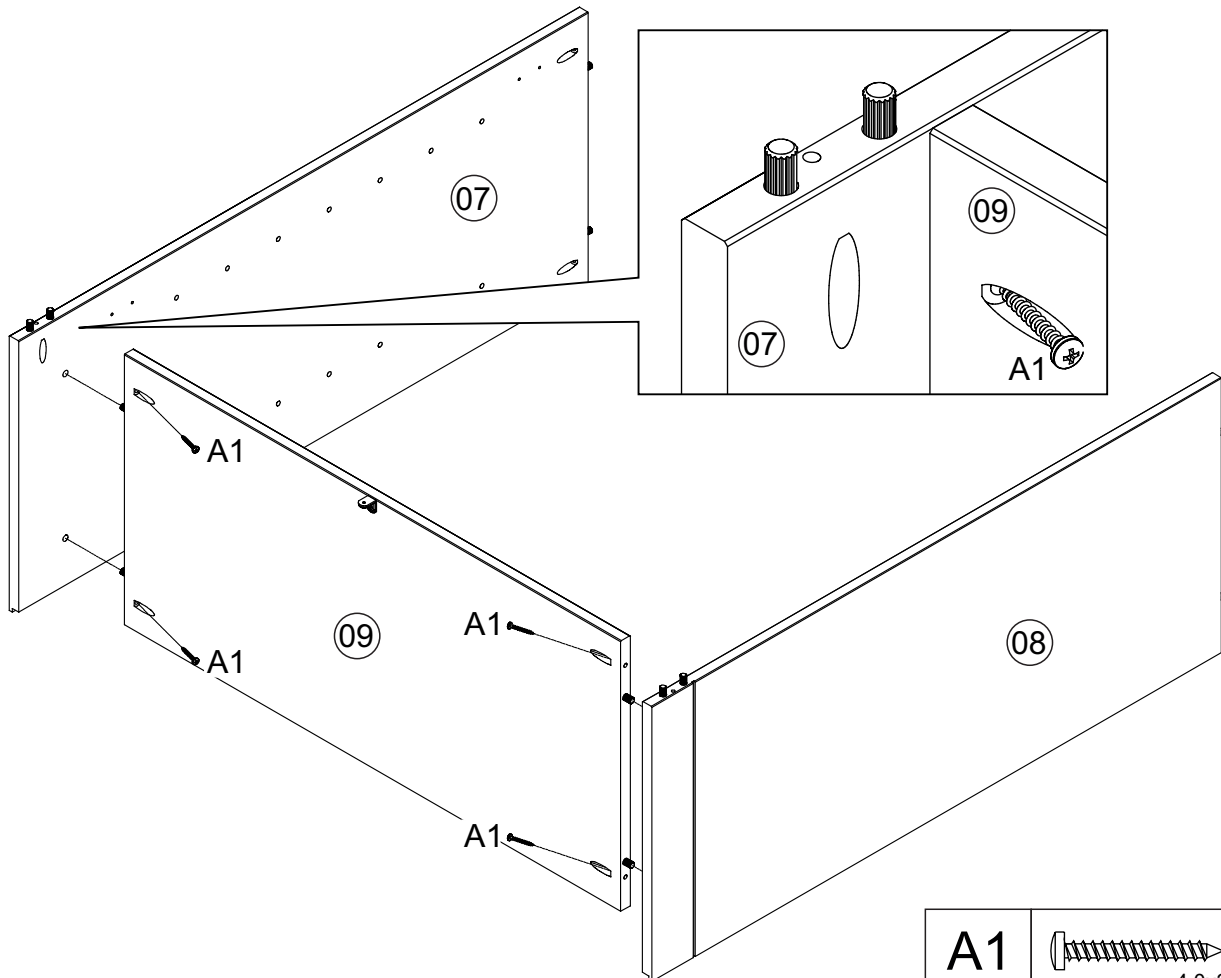


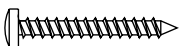
A44		01
	3,5x14	

C2		12
	8,0x25	

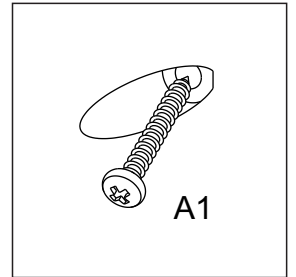
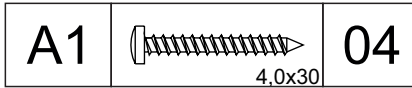
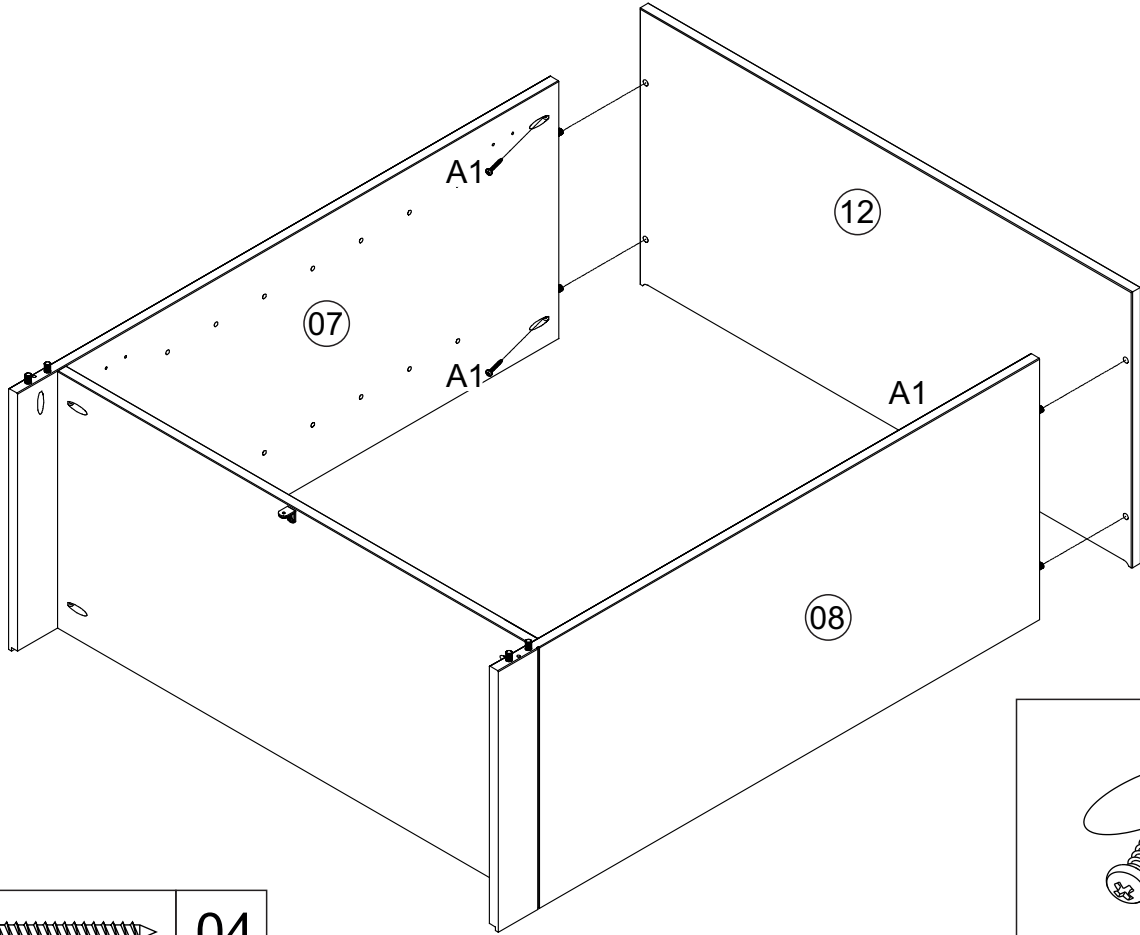
D57		01
-----	---	----

02)

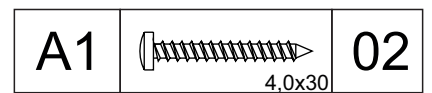
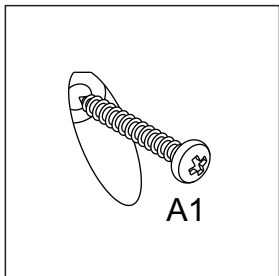
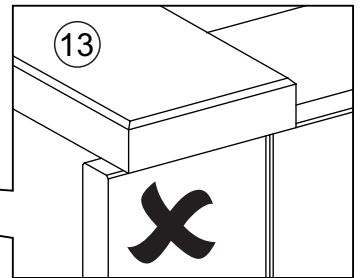
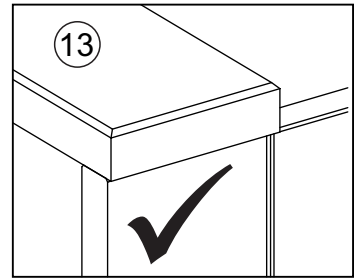
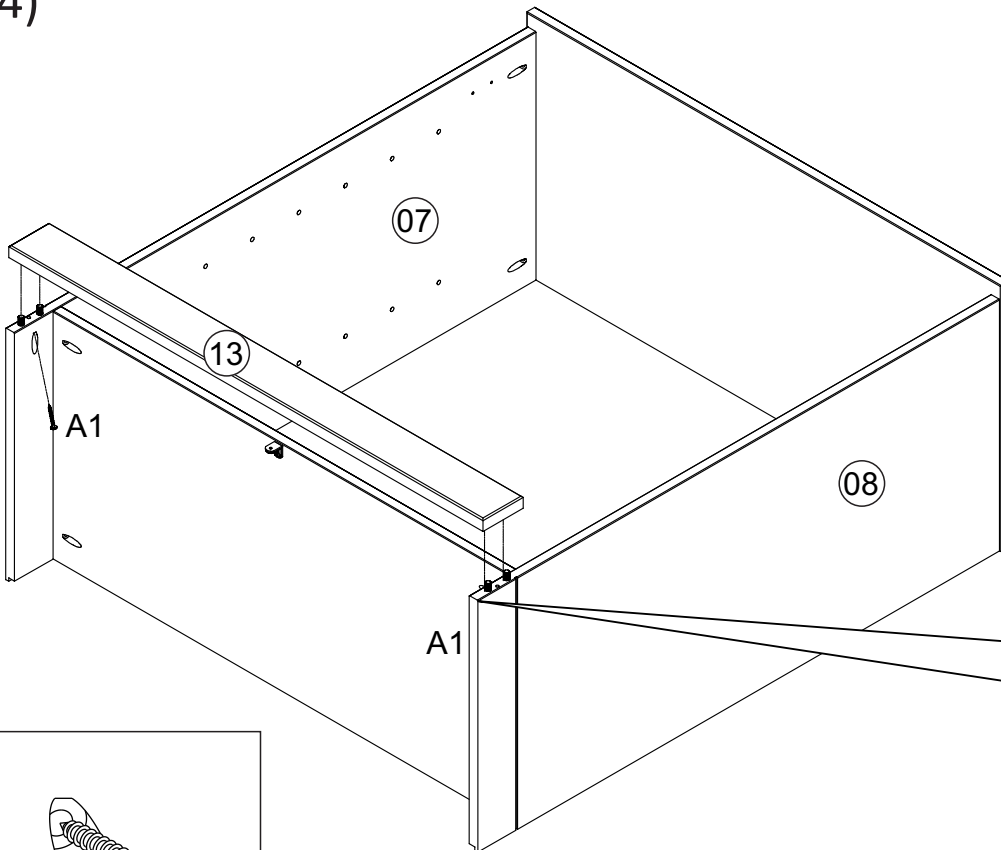


A1		04
	4,0x30	

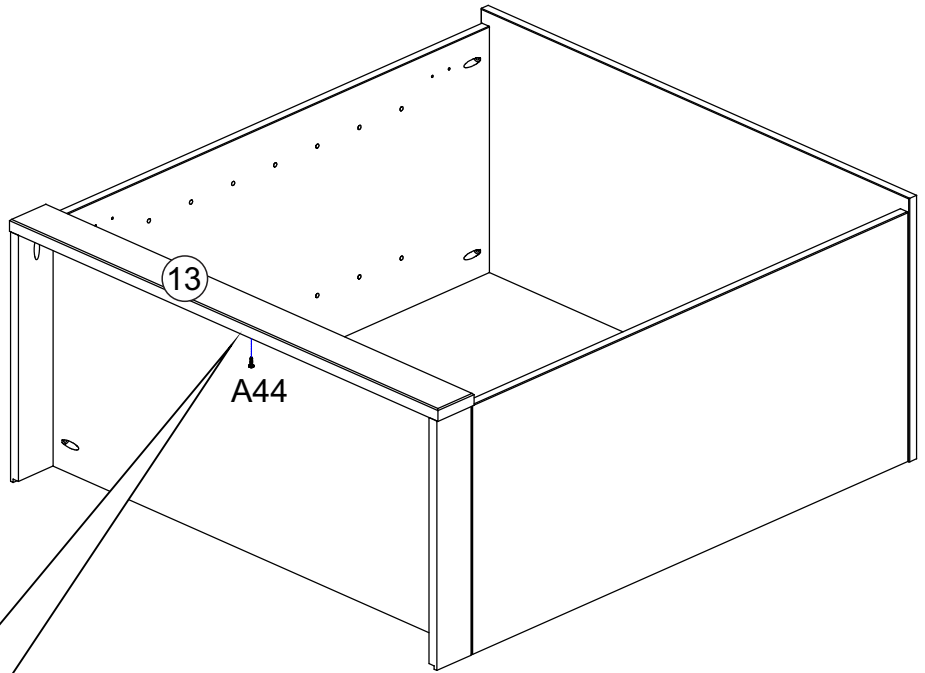
03)



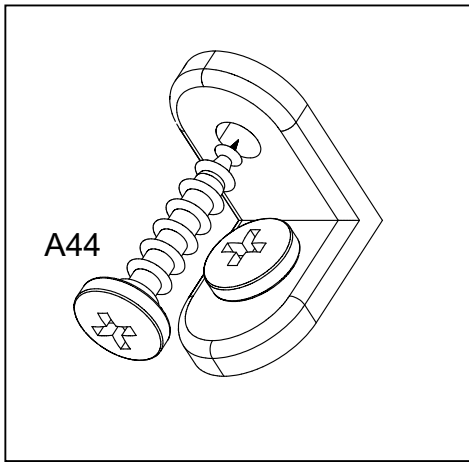
04)

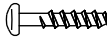


05)

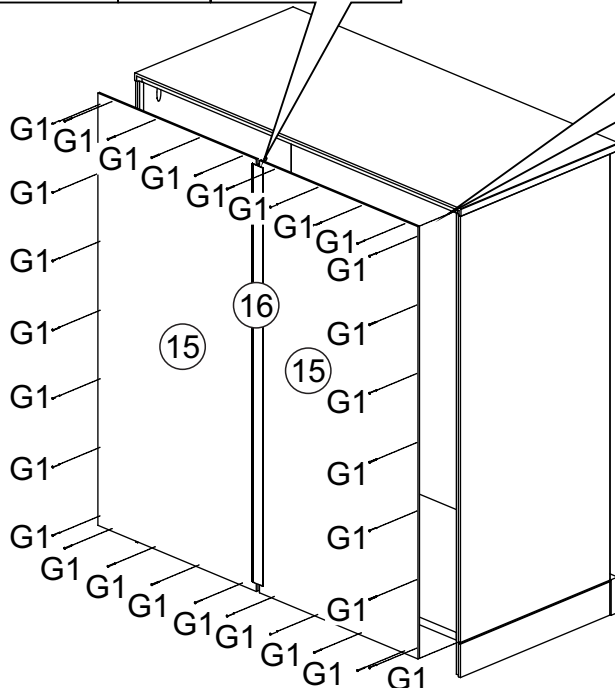
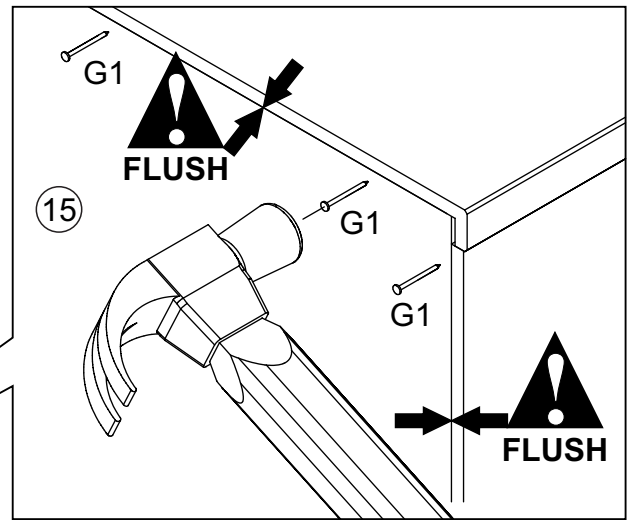
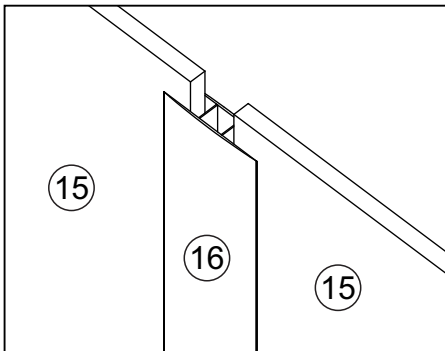


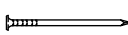
A44



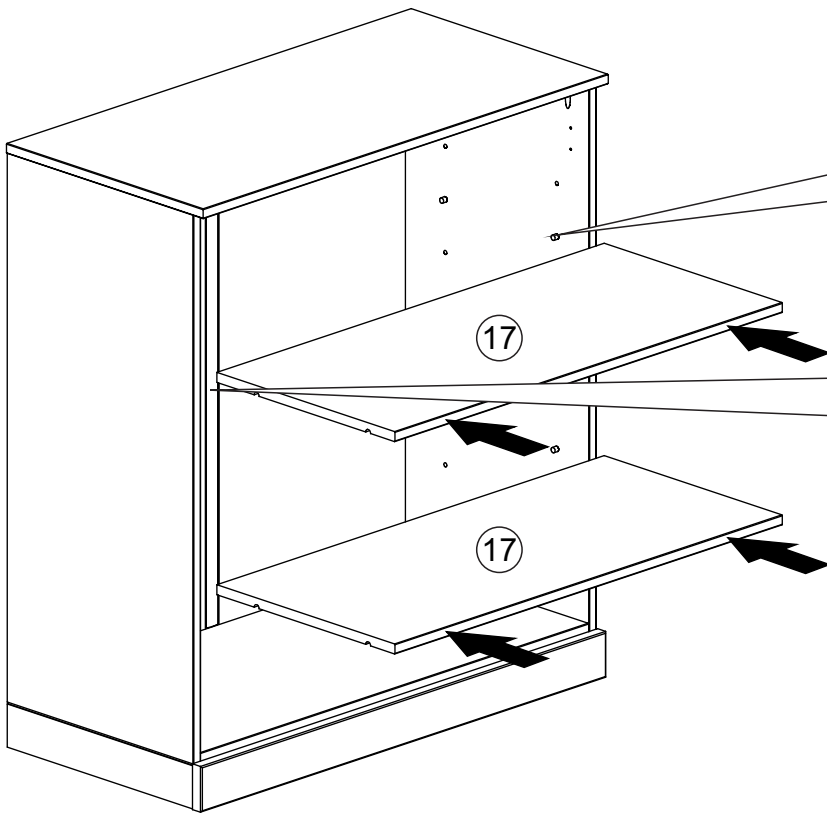
A44		01
	3,5x14	

06)

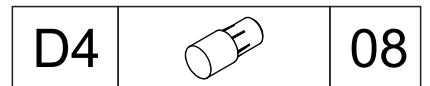
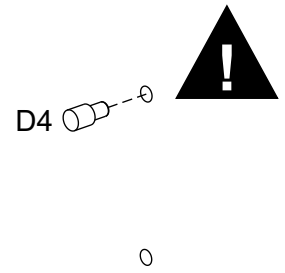


G1		30
	10x10	

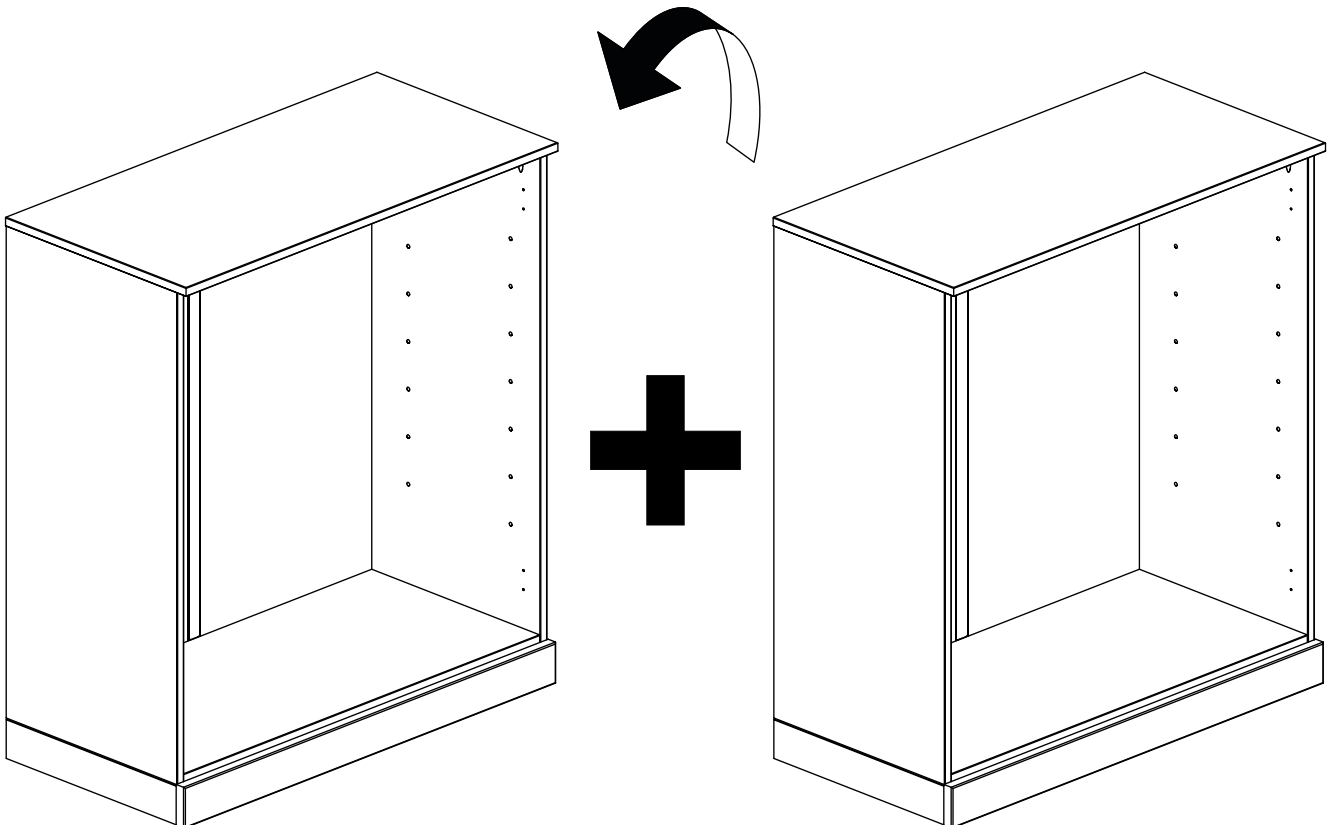
07)



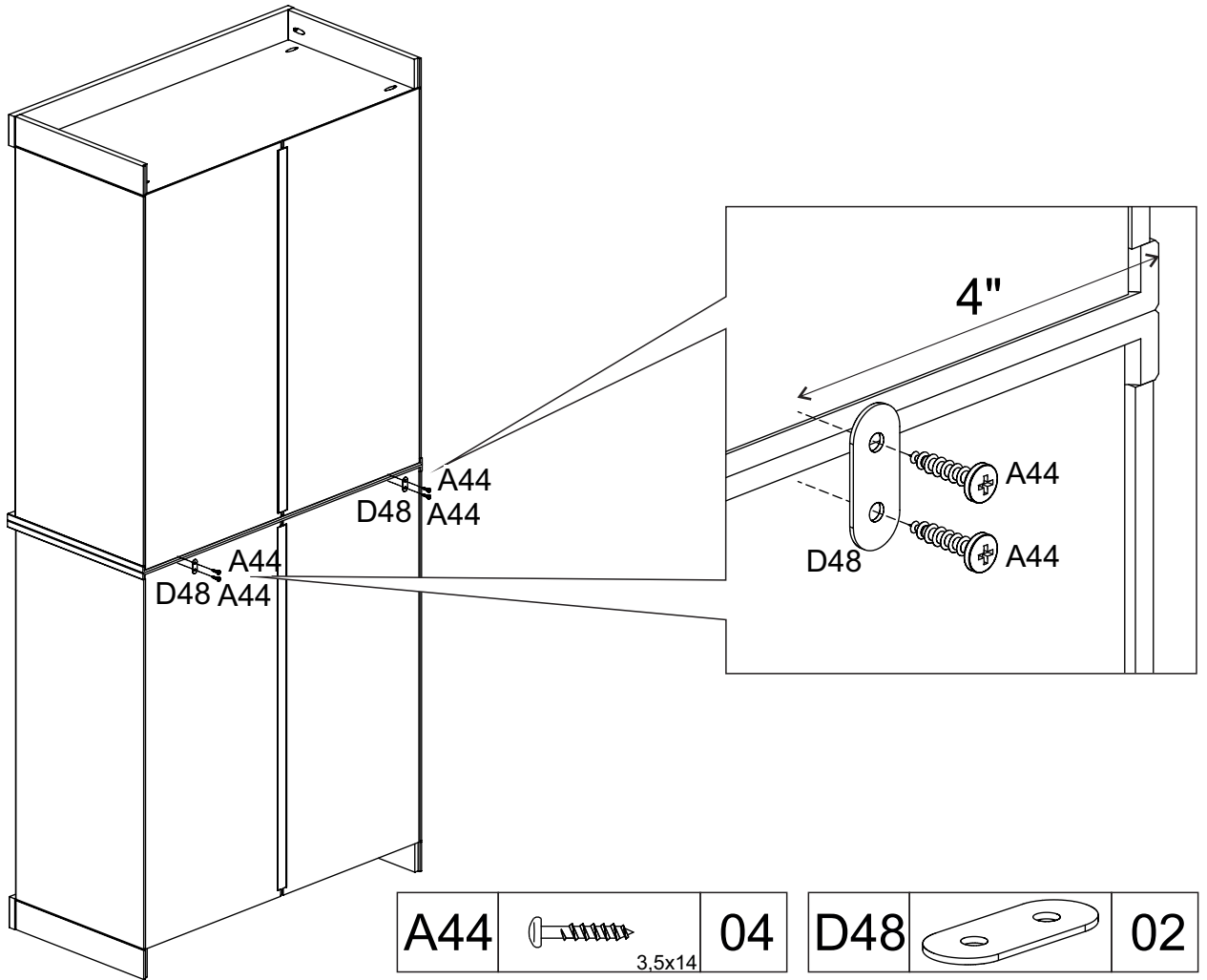
Select the desired shelf height and insert the metal pegs into the corresponding holes.



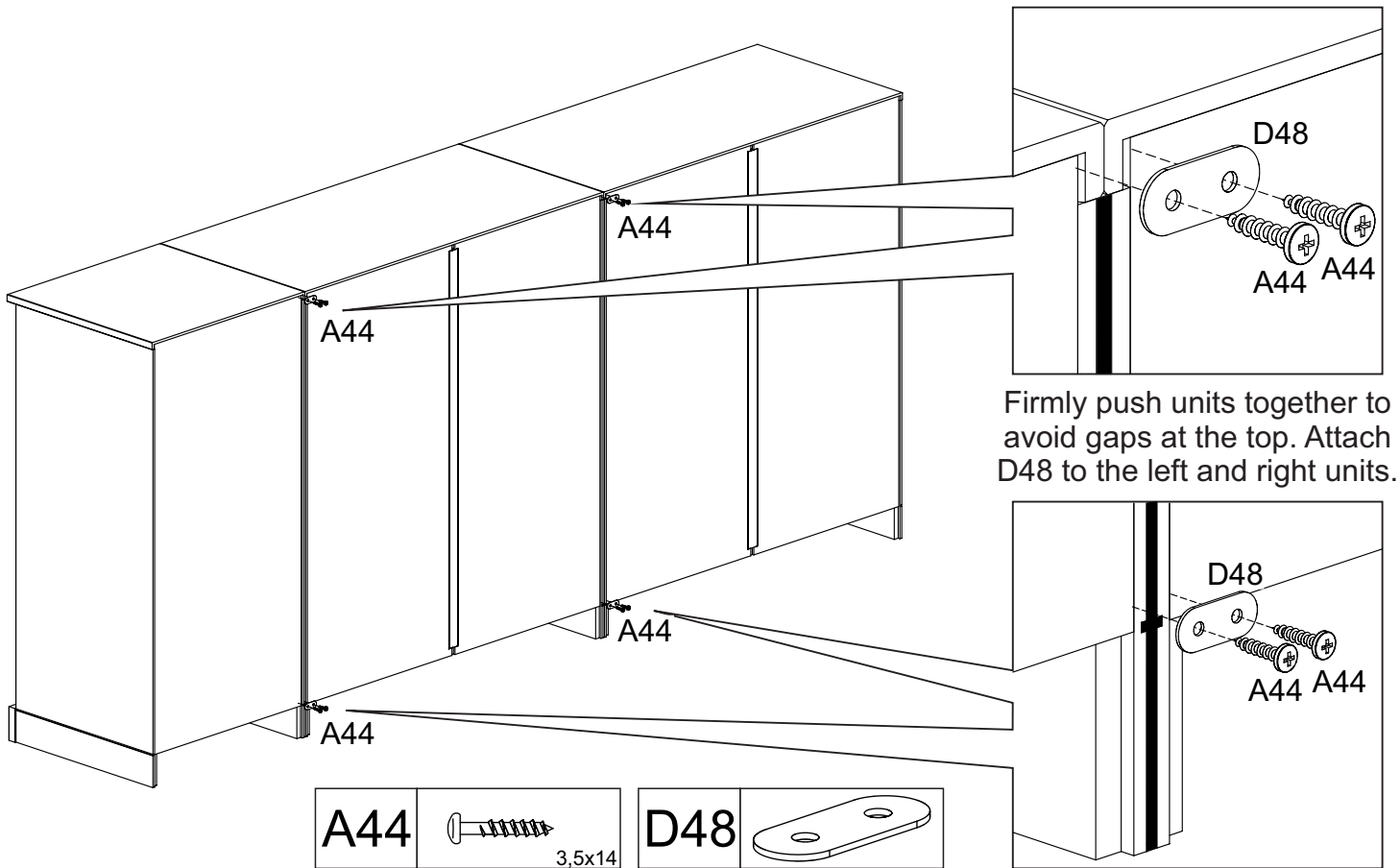
08) Stacking and Connecting Multiple Units



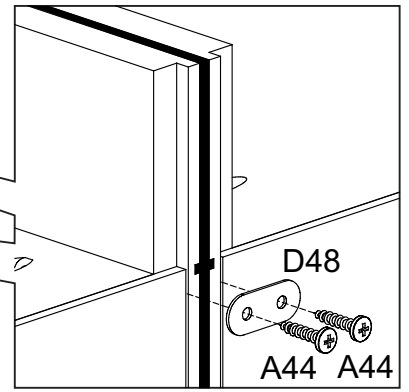
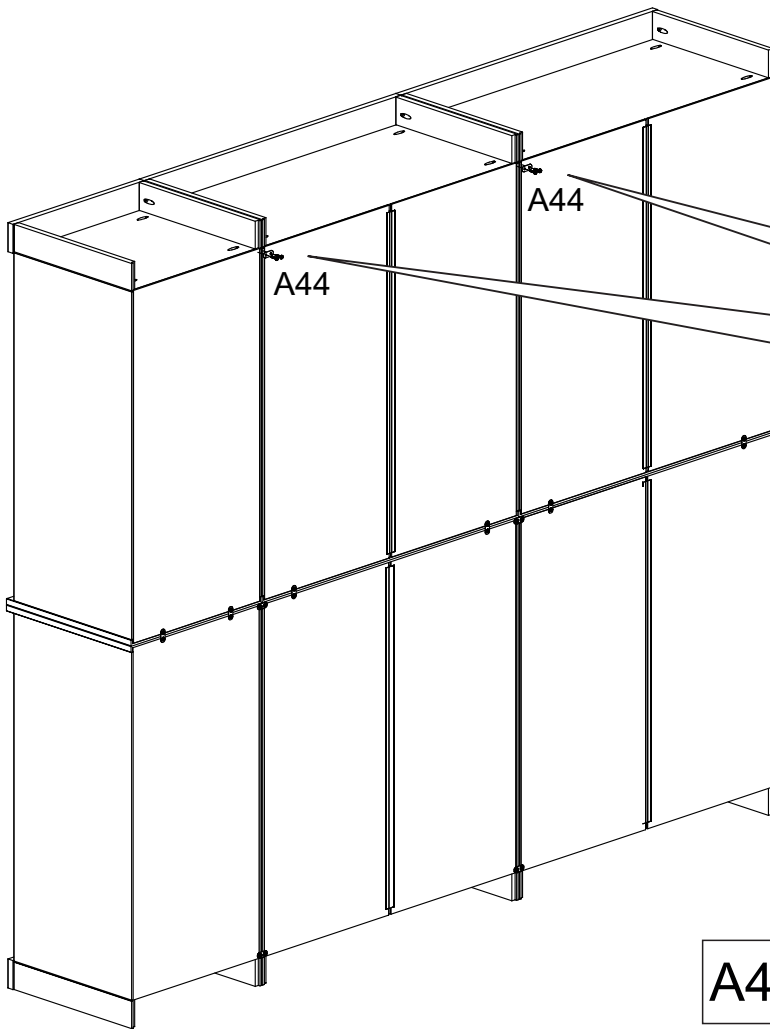
09)



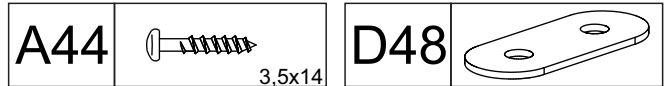
10) Connecting multiple units sideways.



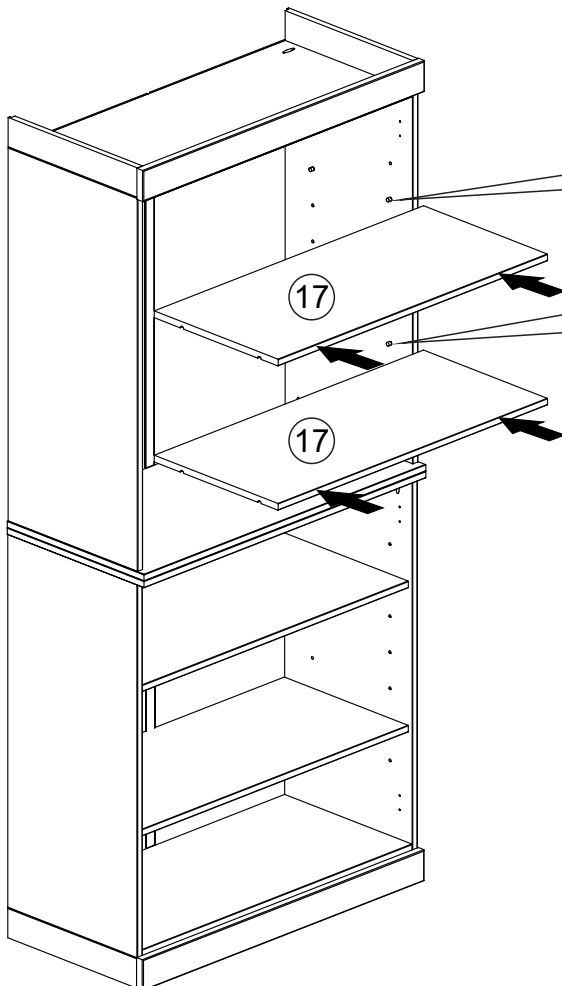
11)



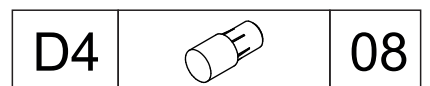
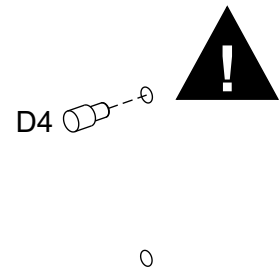
Firmly push units together to avoid gaps at the top. Attach D48 to the left and right units.



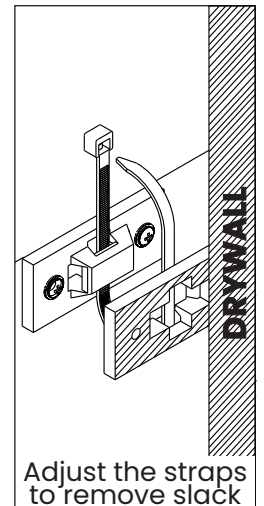
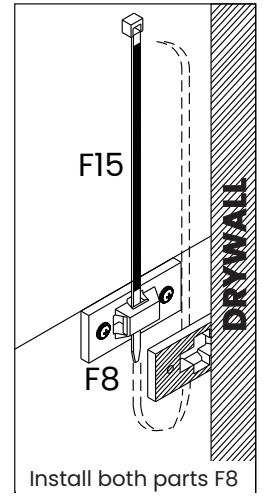
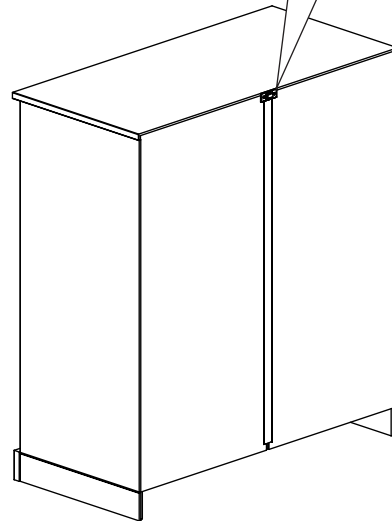
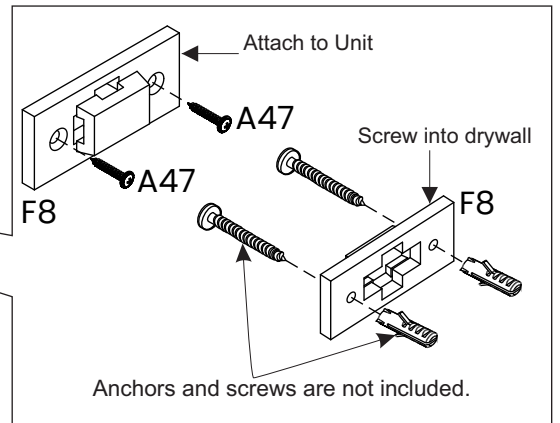
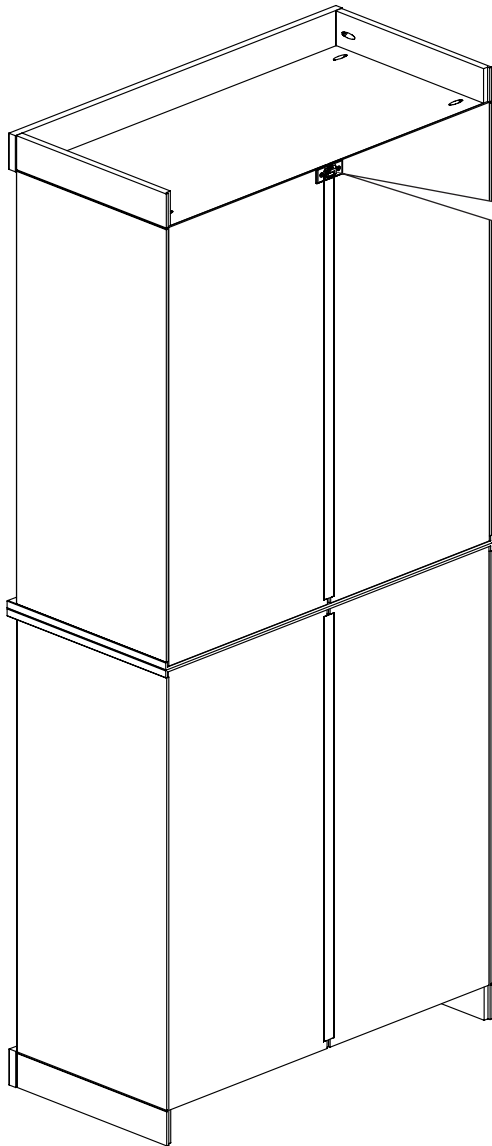
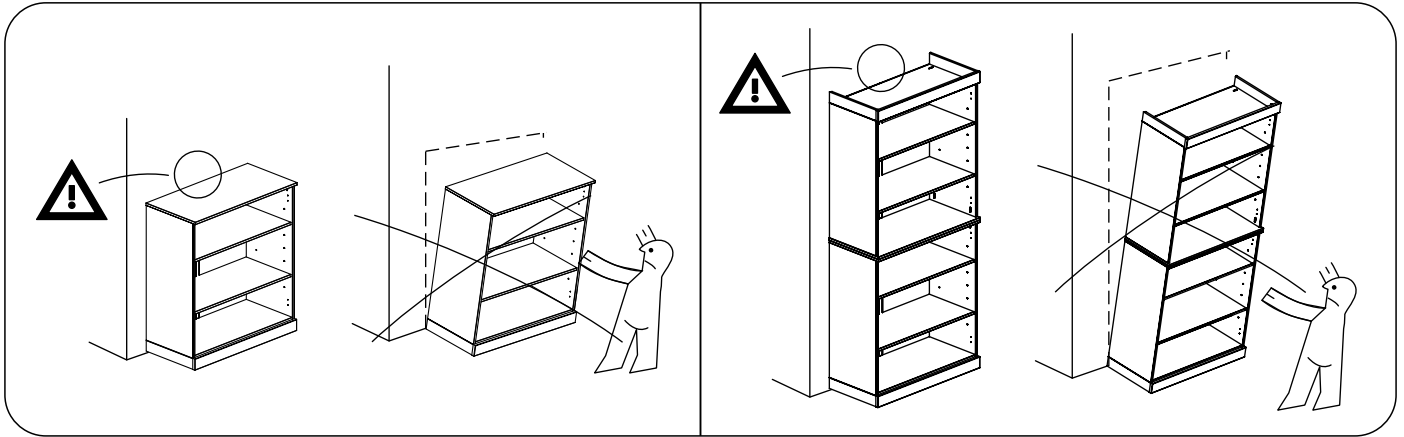
12)

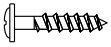
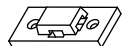



Select the desired shelf height and insert the metal pegs into the corresponding holes.



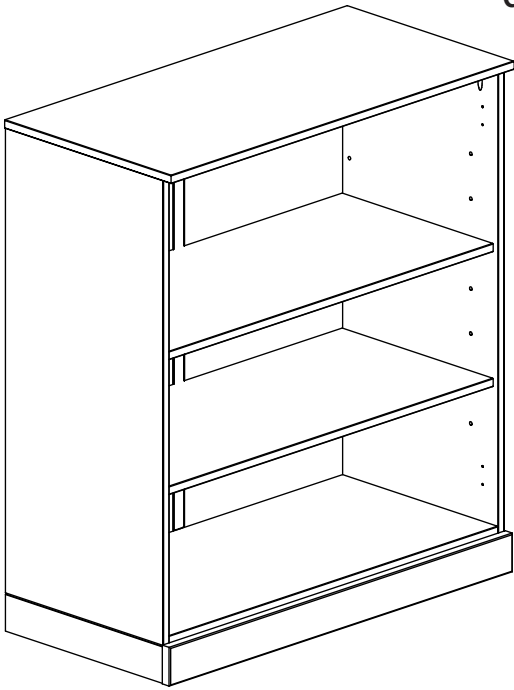
13) Tip-over Restraint Kit Installation



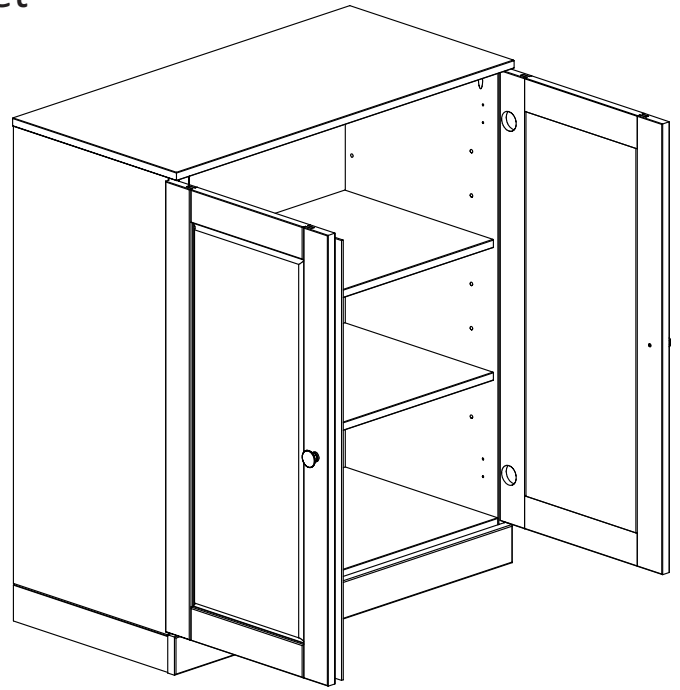
A47	 3,0x20	2
F8		2
F15		1

14) Multiple configurations are possible by purchasing additional modules

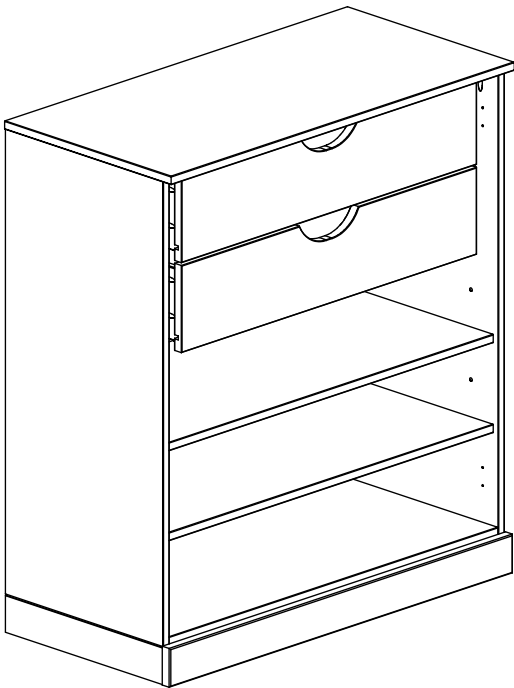
- 16.5" units
- raised panel doors
- clear glass doors
- frosted glass doors
- drawers set



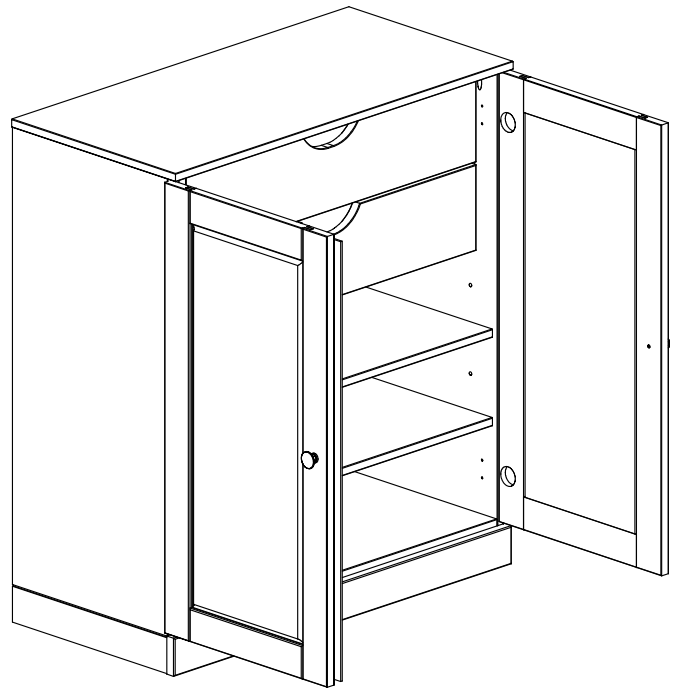
32" Unit



32" Unit + Doors



32" Unit + Drawers



32" Unit + Doors + 2-Drawers set

15) Examples of some additional possible configurations

