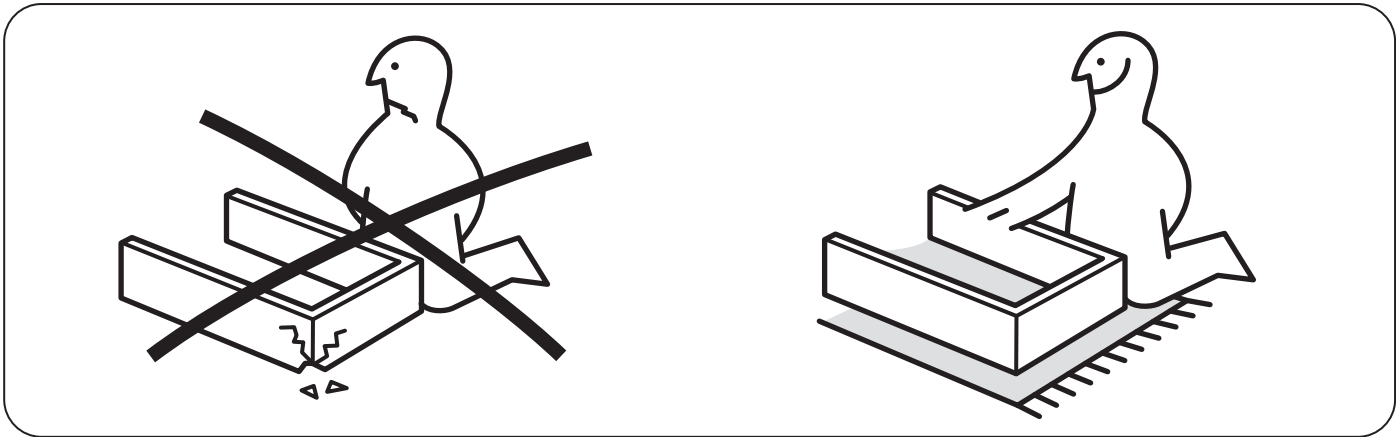
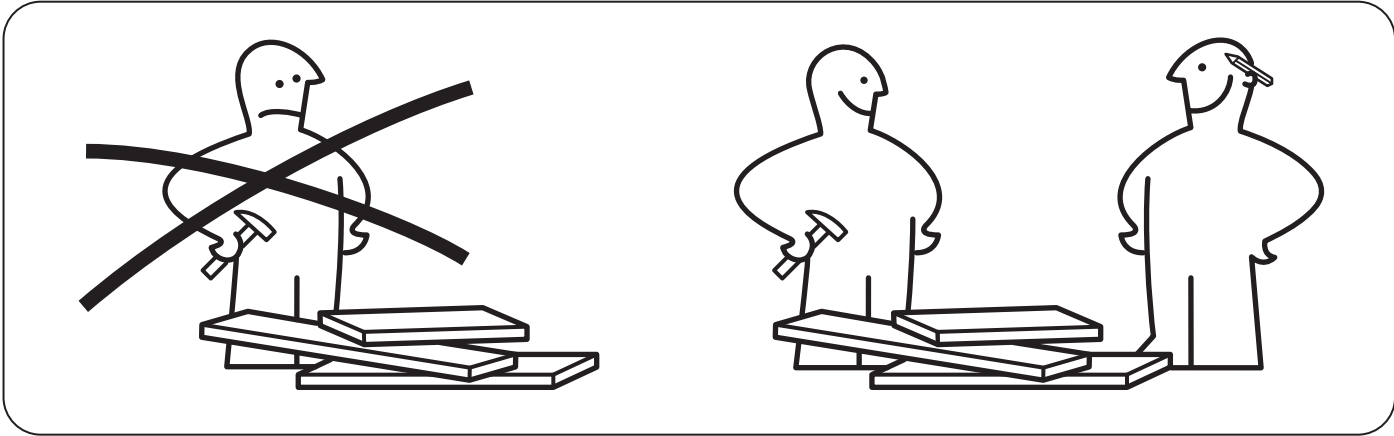
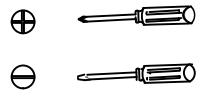


Thanks for purchasing one of our products,  
please carefully read the assembly instructions  
before installation(Attention:Do not tighten  
the screws before all screws are in place).

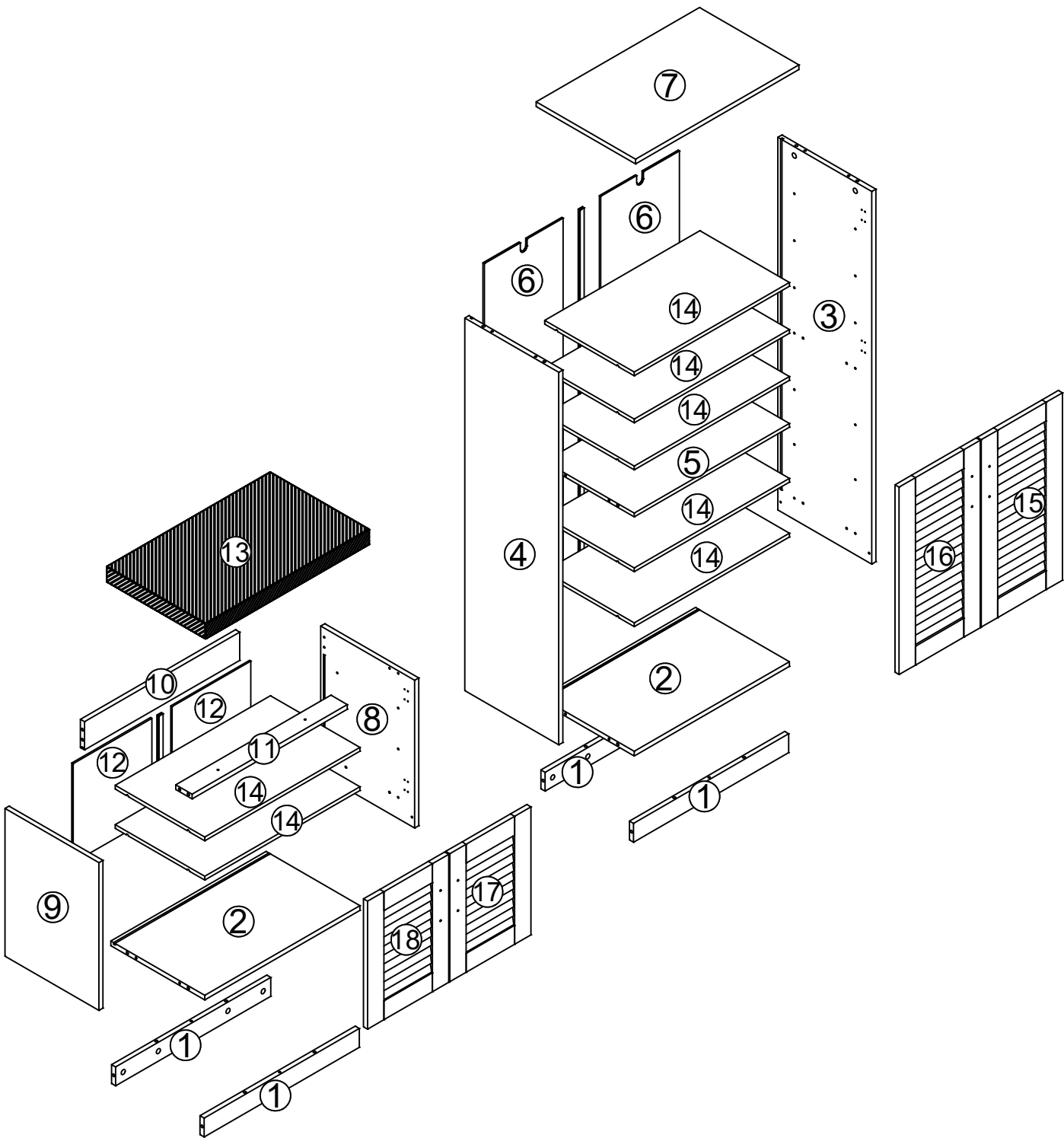


(Tools not provided)  
 Flat Blade Screwdriver  
 Phillips Head Screwdriver  
 Wooden Hammer


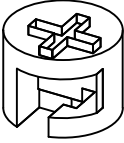




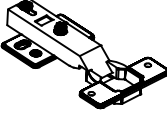


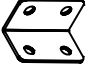









To Assemble the Unit  
 Wooden Hammer

PAGE1  
Exploded View



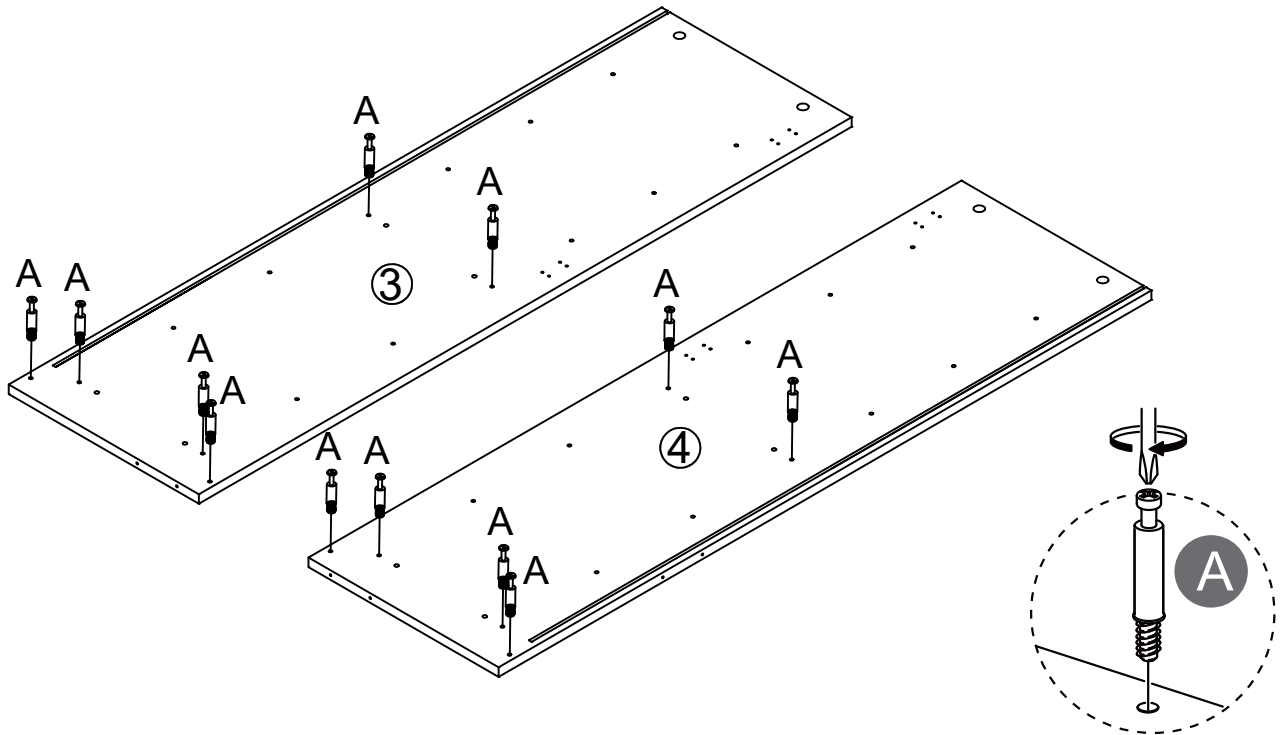
will require these parts

<p>A</p>  <p>40+2PCS</p>	<p>B</p>  <p>40+2PCS</p>	<p>C</p>  <p>M6X30MM</p> <p>12+2PCS</p>	<p>D</p>  <p>M3.5X14M</p> <p>66+2PCS</p>
<p>E</p>  <p>4PCS</p>	<p>F</p>  <p>8+1PCS</p>	<p>G</p>  <p>8PCS</p>	<p>H</p>  <p>28PCS</p>
<p>I</p>  <p>2PCS</p>	<p>J</p>  <p>2PCS</p>	<p>K</p>  <p>1PC</p>	<p>L</p>  <p>1PC</p>
<p>M</p>  <p>M3.5X30M</p> <p>2PCS</p>	<p>N</p>  <p>4+1PCS</p>	<p>O</p>  <p>2PCS</p>	<p>P</p>  <p>2PCS</p>
<p>Q</p>  <p>M3.5X25M</p> <p>2PCS</p>			

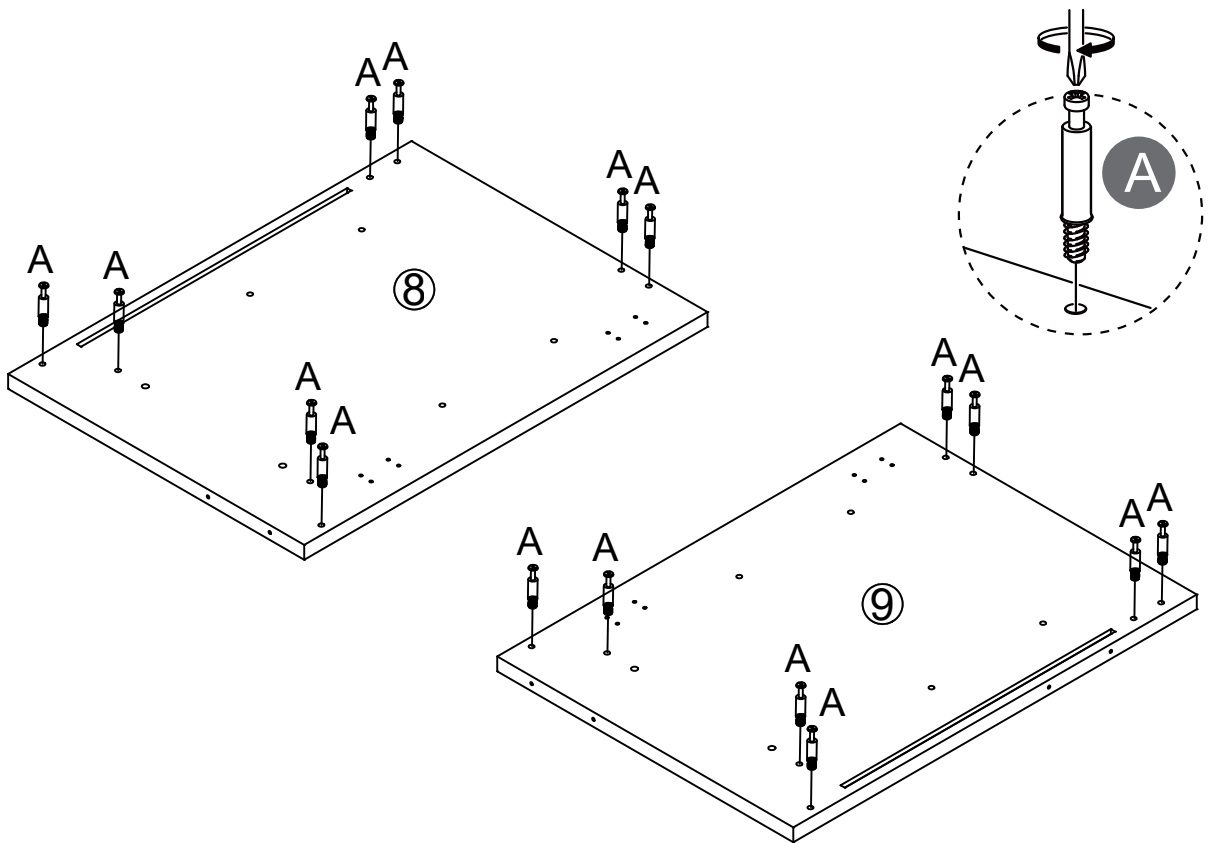
# PAEG3

will require these parts

## STEP1



AX12

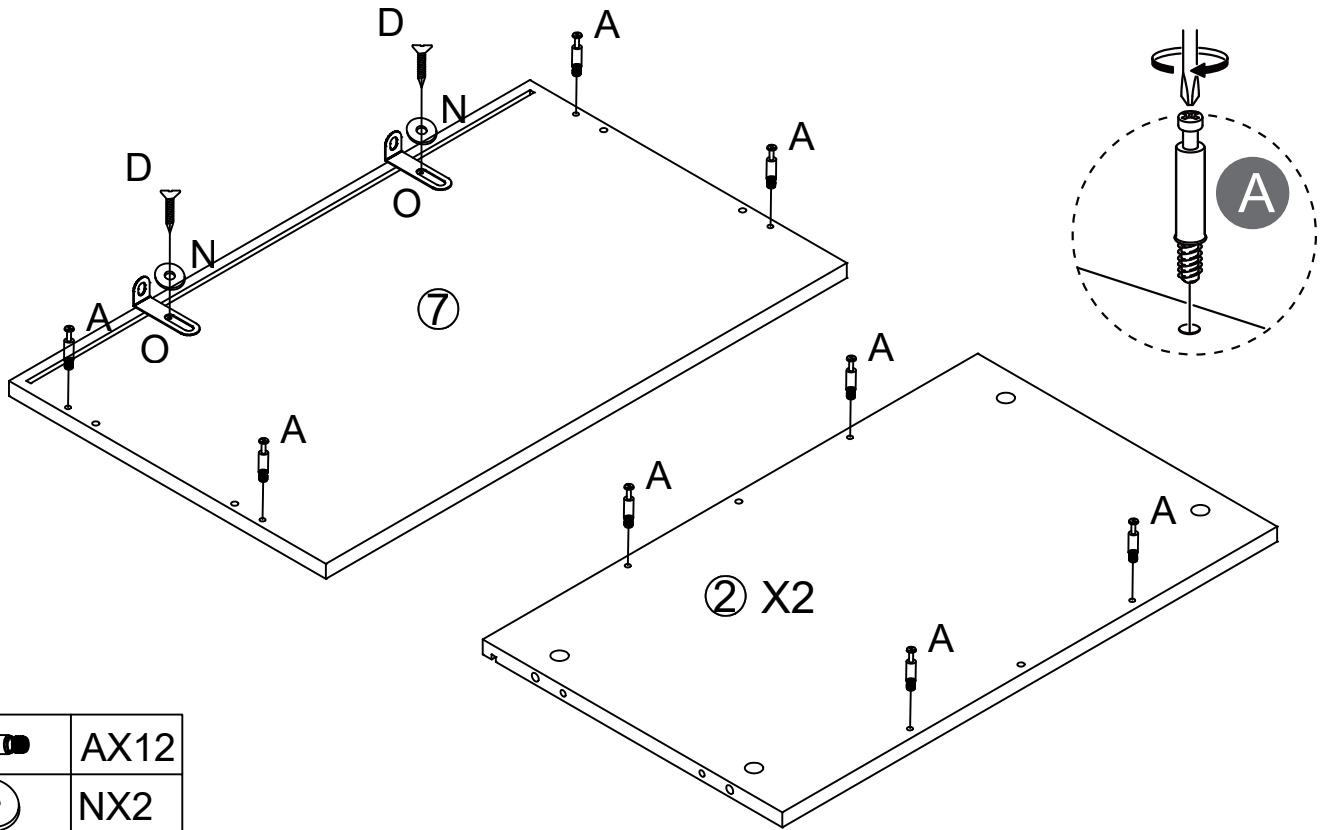


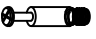



AX16

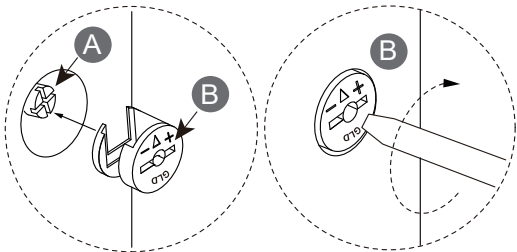
# PAEG4

will require these parts

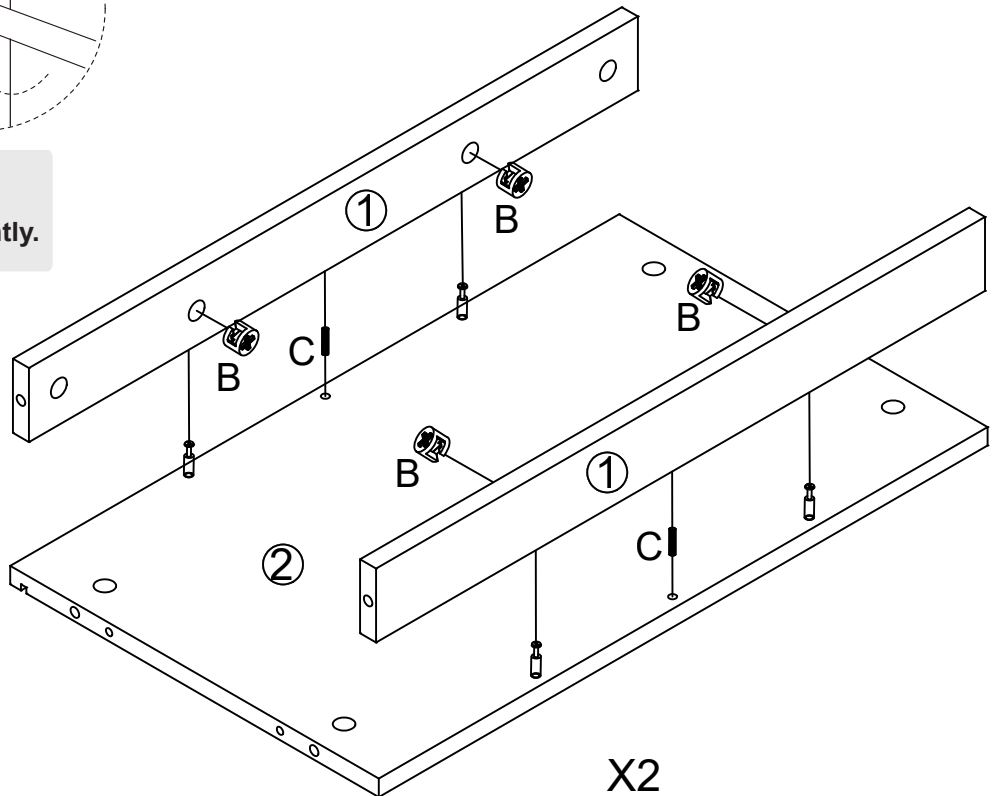
## STEP2



	AX12
	NX2
	OX2
	DX2



**Attention:**  
Put (B) into the hole and turn (C) clockwise to lock (A) tightly.

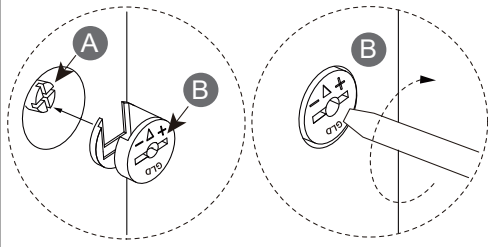


	BX8
	CX4

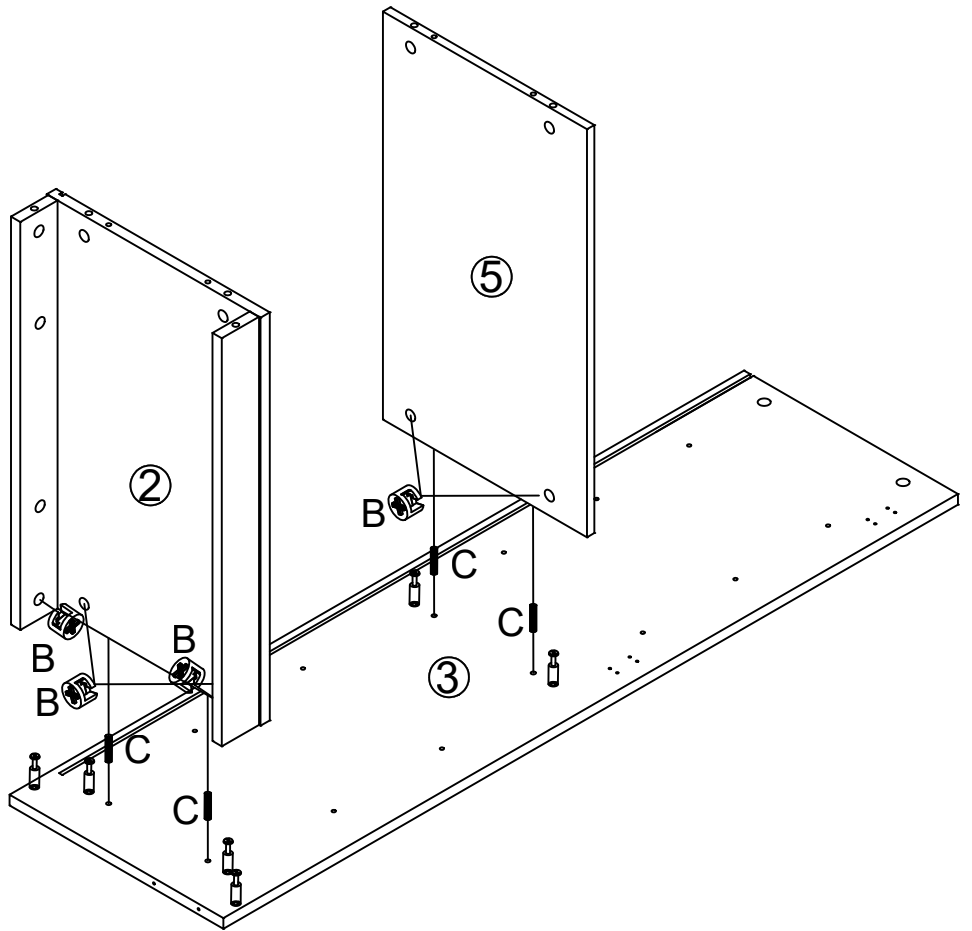
# PAEG5



will require these parts

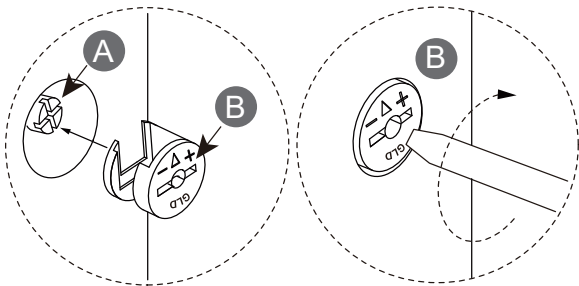
## STEP3



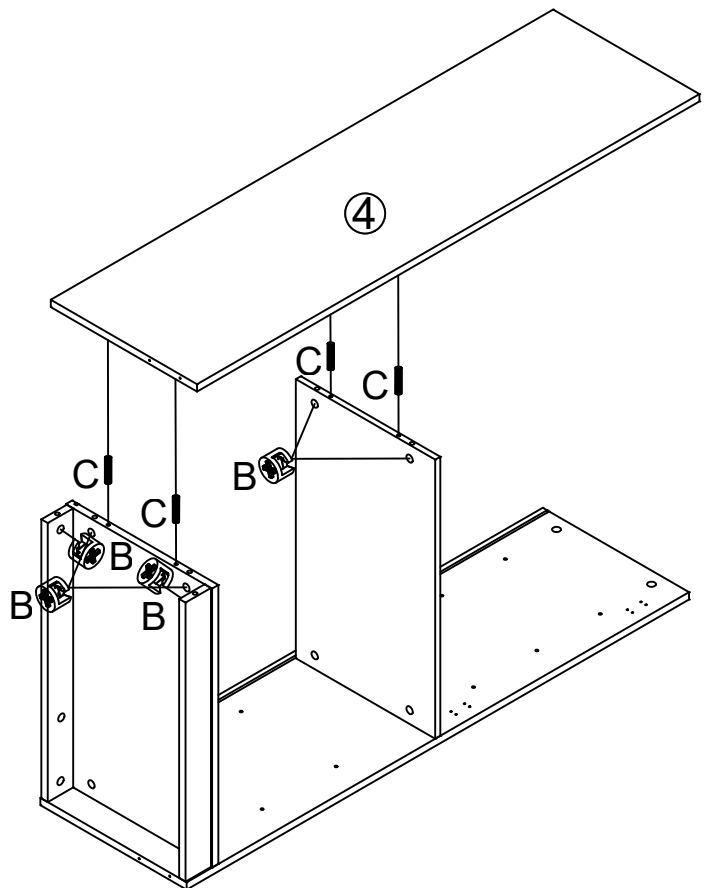
**Attention:**  
Put **(B)** into the hole and turn **(B)** clockwise to lock **(A)** tightly.



	BX6
	CX4



**Attention:**  
Put **(B)** into the hole and turn **(B)** clockwise to lock **(A)** tightly.

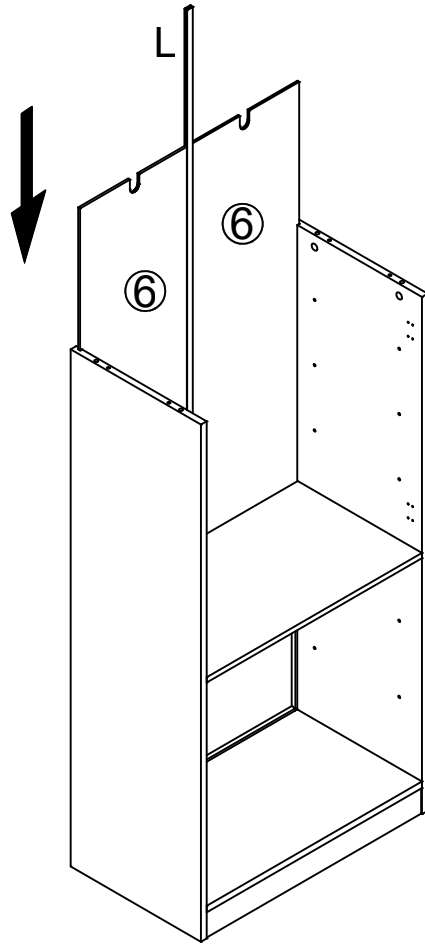



	BX6
	CX4

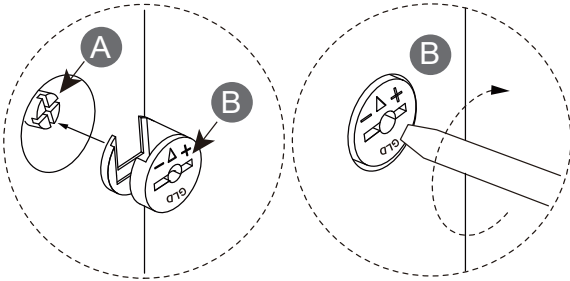
# PAEG6

will require these parts

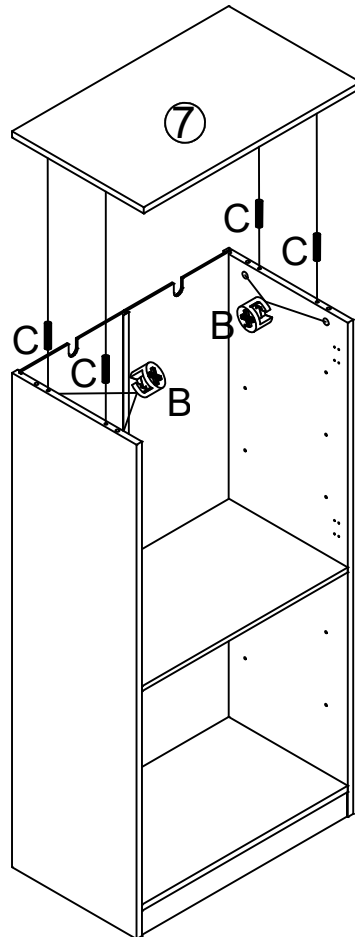
## STEP4



	LX1
--	-----



**Attention:**  
Put **(B)** into the hole and turn **(B)** clockwise to lock **(A)** tightly.

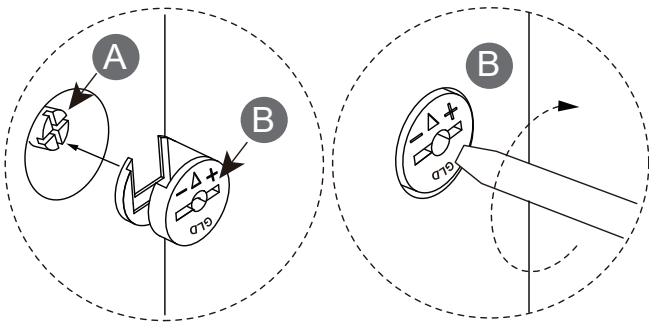


	BX6
	CX4

# PAEG7

will require these parts

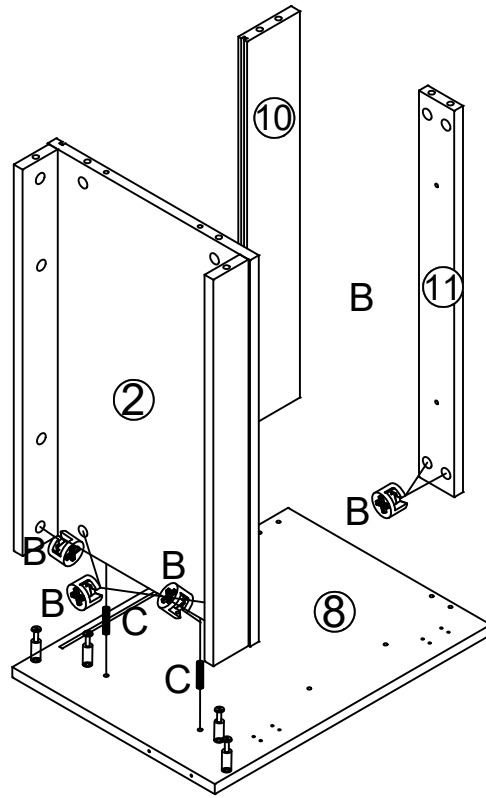
## STEP5



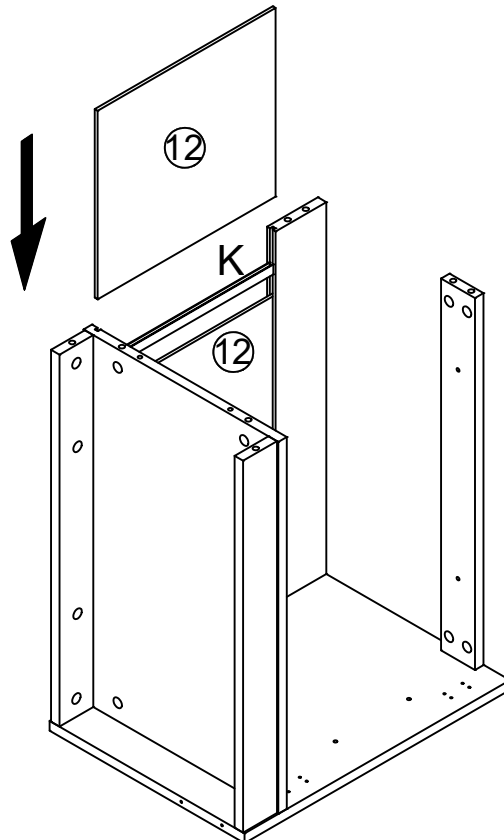
### Attention:


Put **B** into the hole and turn

**B** clockwise to lock **A** tightly.



	BX8
	CX2

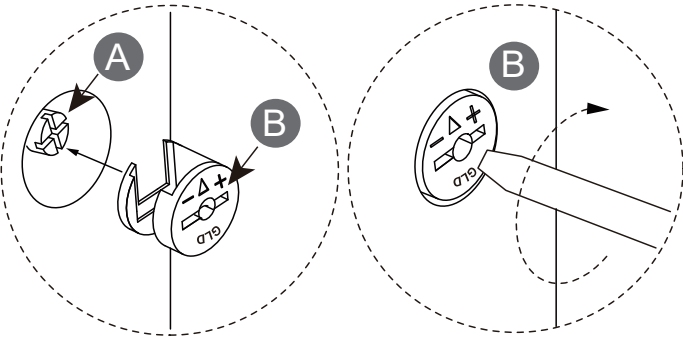


	KX1
---	-----

# PAEG8

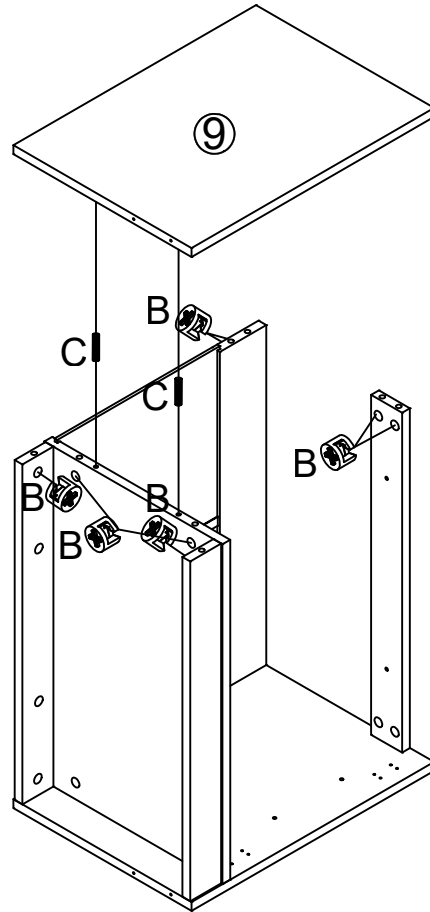
will require these parts

## STEP6

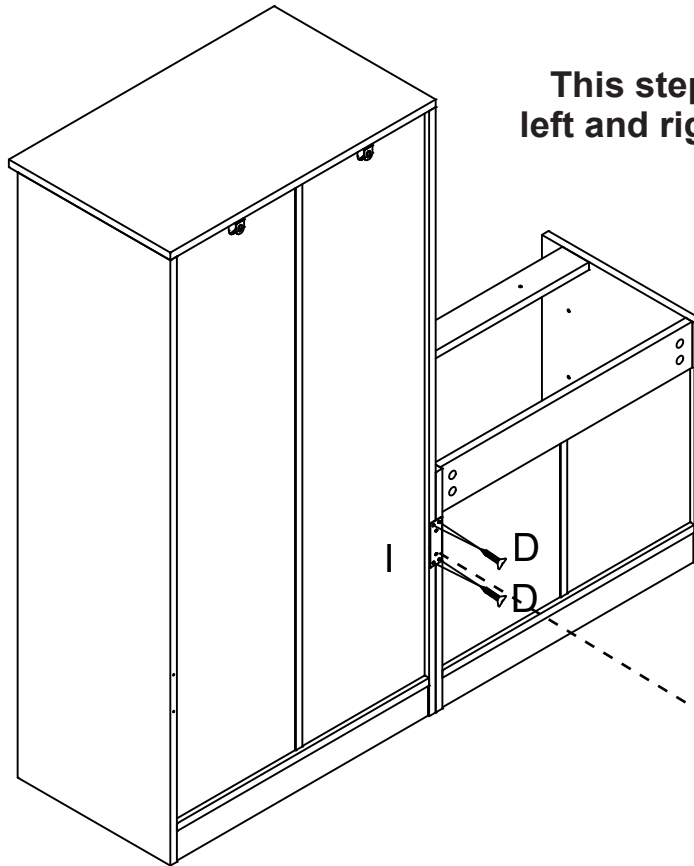


### Attention:

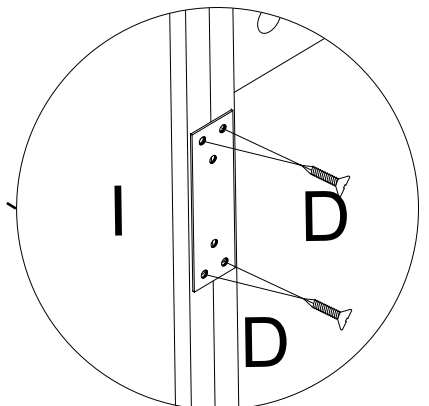
Put **(B)** into the hole and turn **(B)** clockwise to lock **(A)** tightly.


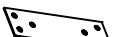


	BX8
	CX2



This step can be interchanged left and right as needed

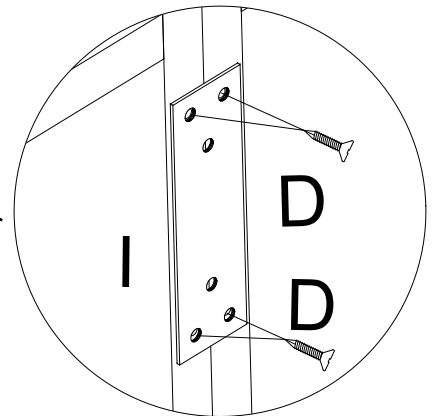
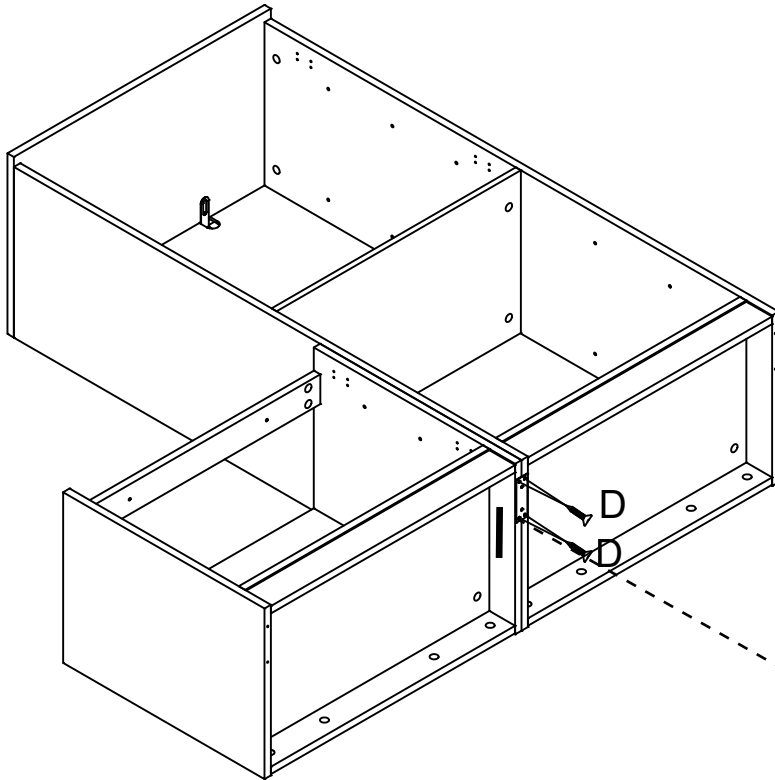




	DX4
	IX1

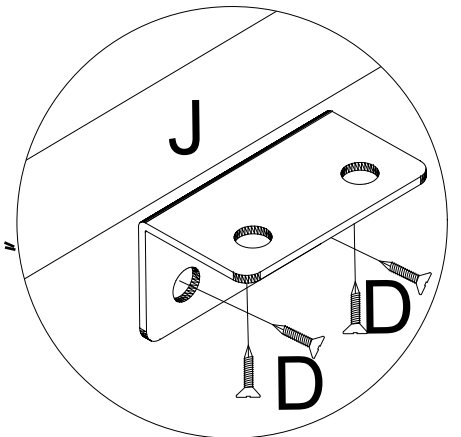
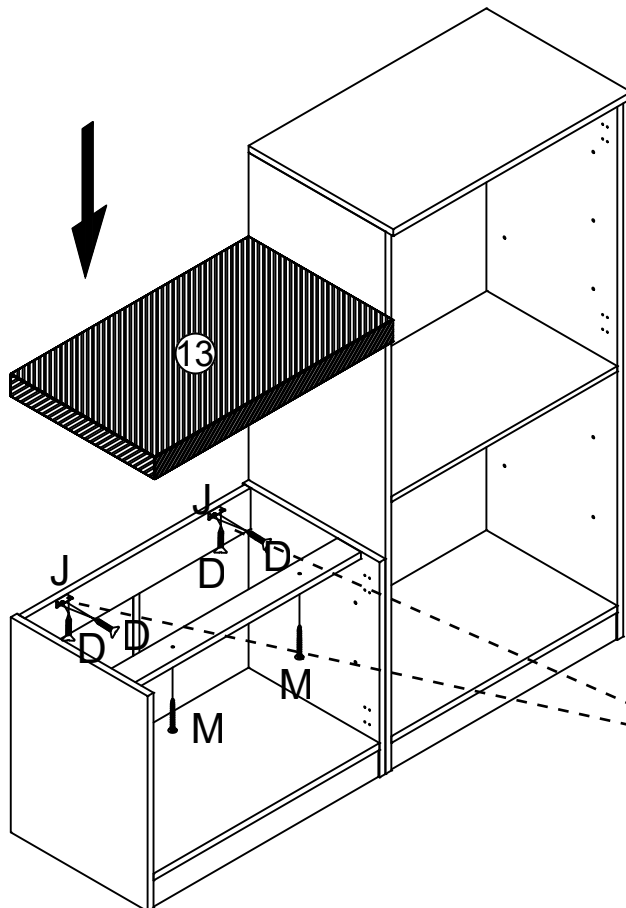
# PAEG9




will require these parts

## STEP7



	DX4
	IX1



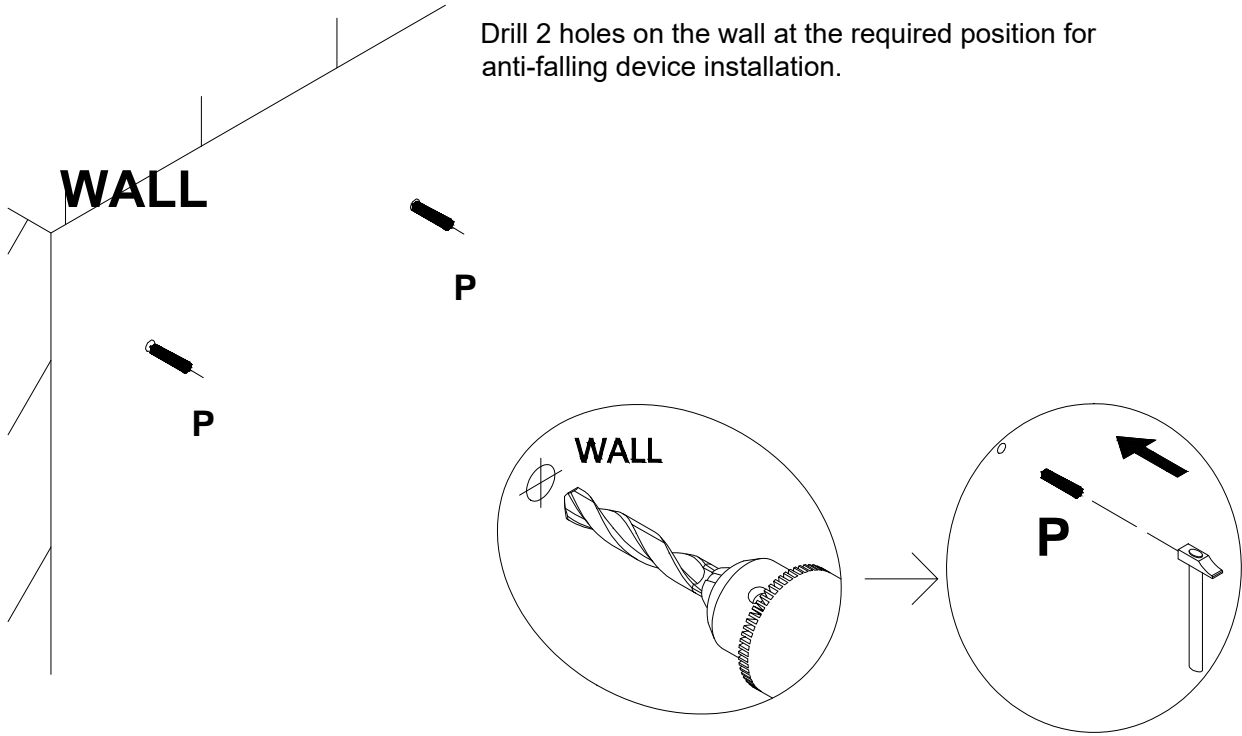
	DX4
	JX2
	MX2

# PAEG10

## STEP8

will require these parts

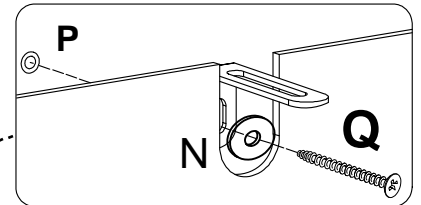
Drill 2 holes on the wall at the required position for anti-falling device installation.



Ux 2

Move the cabinet to the required position, use the "Q" long screw to fix the cabinet to the wall.

WALL



NX2

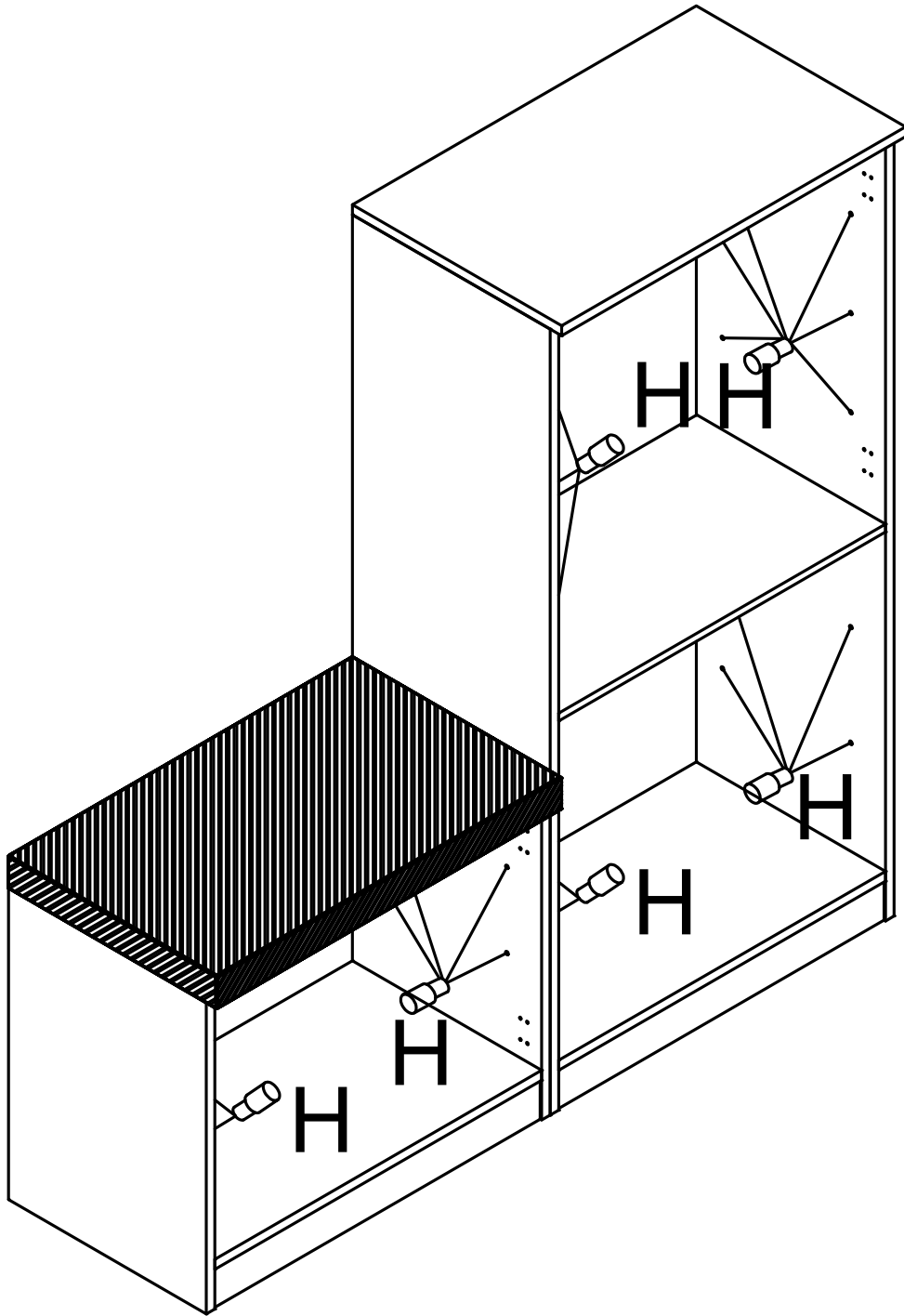


QX2

PAEG11

will require these parts

STEP9

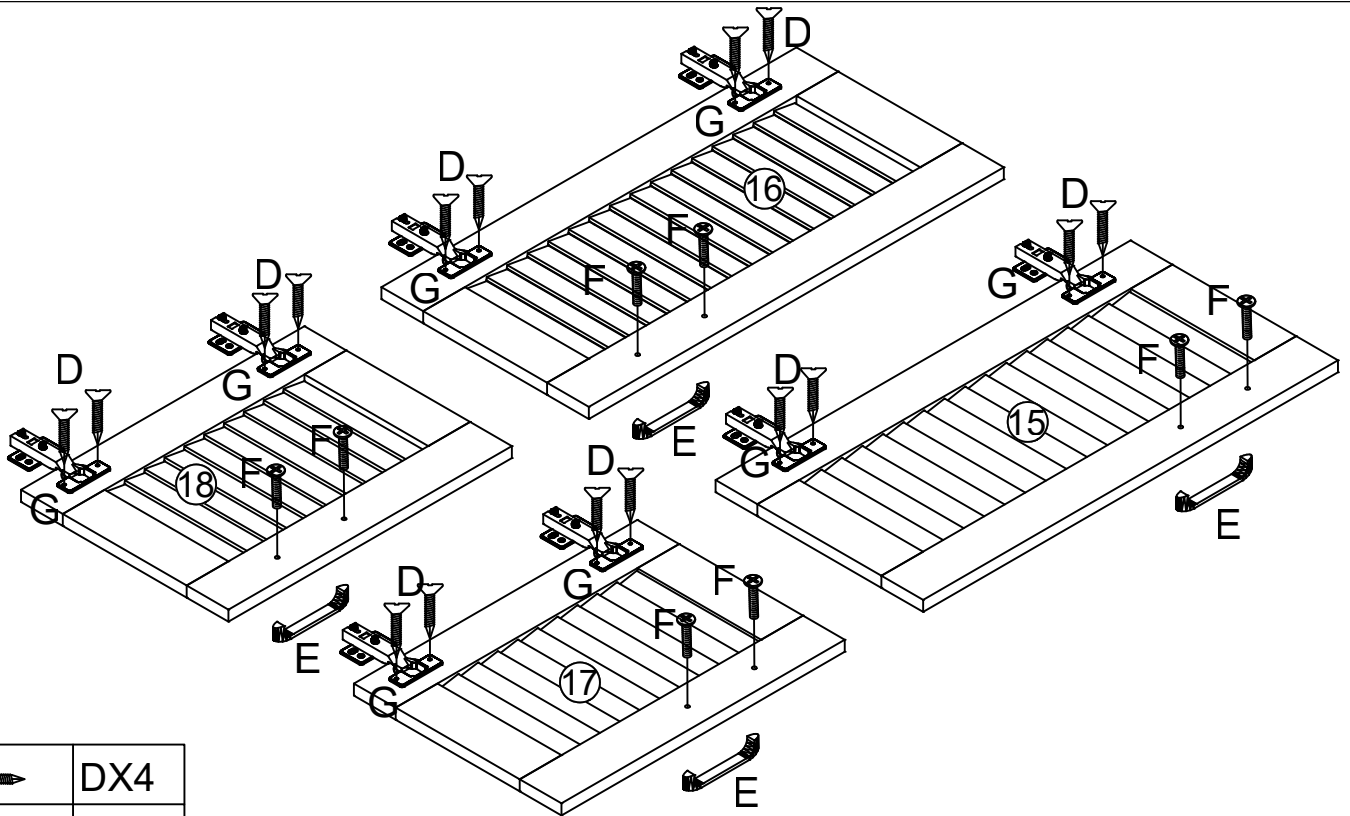
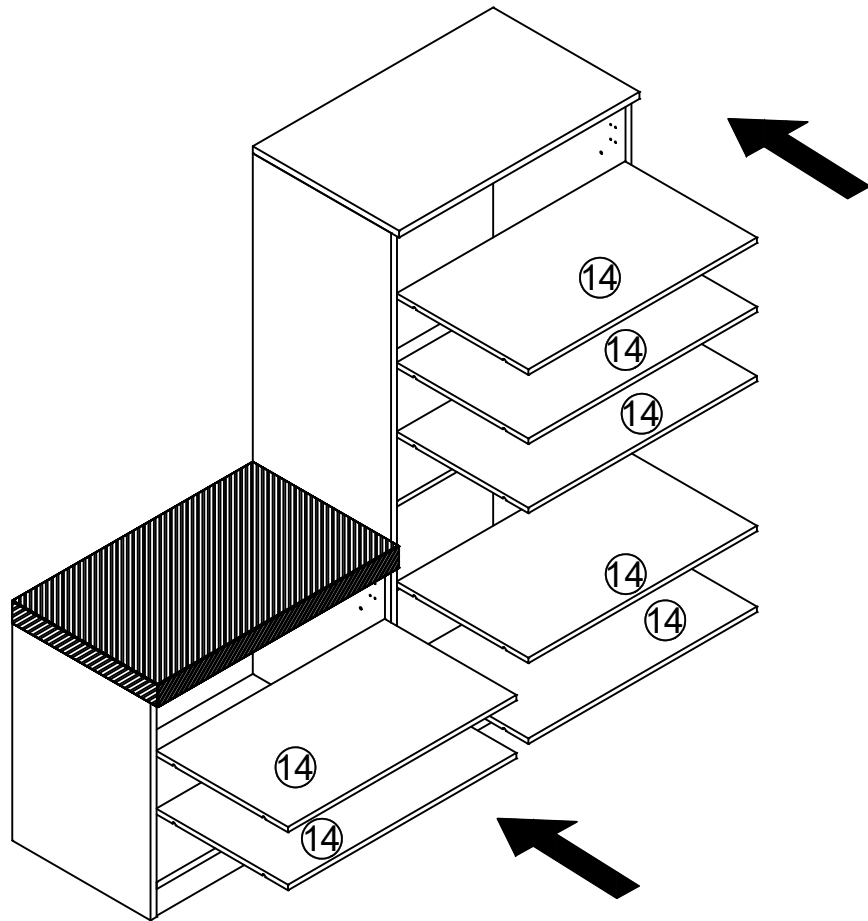






HX28

# PAEG12

will require these parts

## STEP10

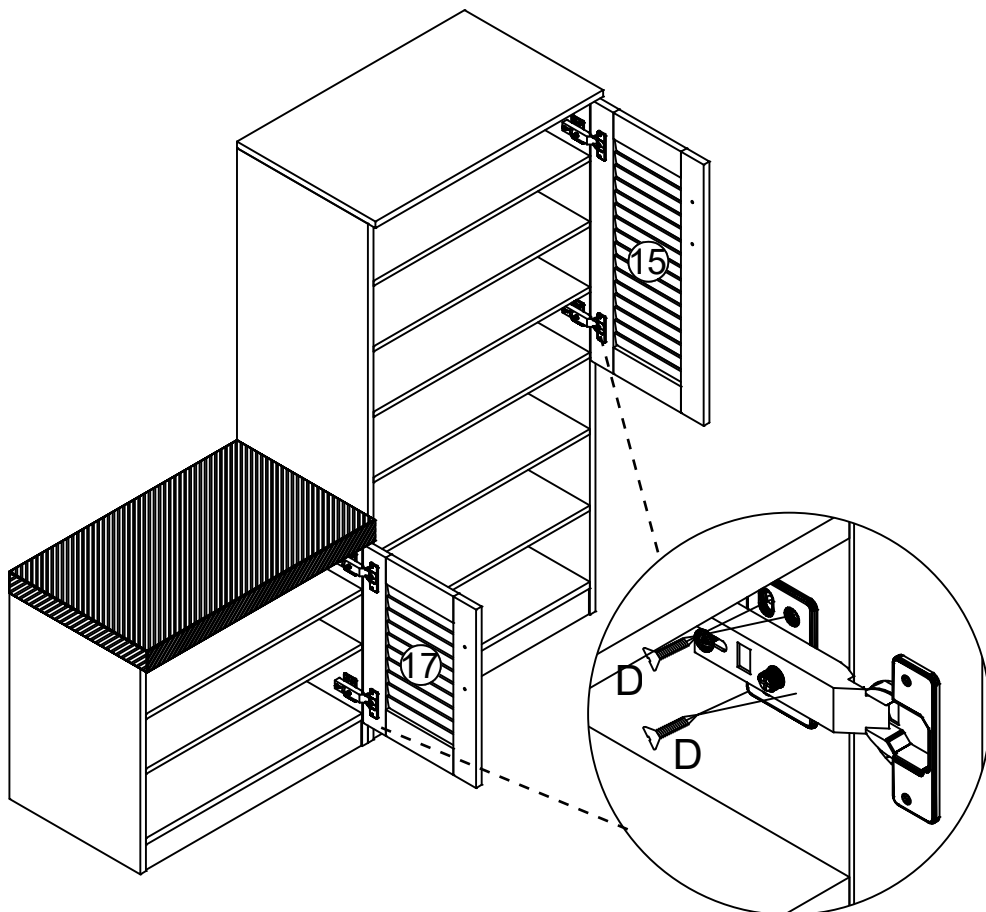


	DX4
	EX4
	FX8
	GX8

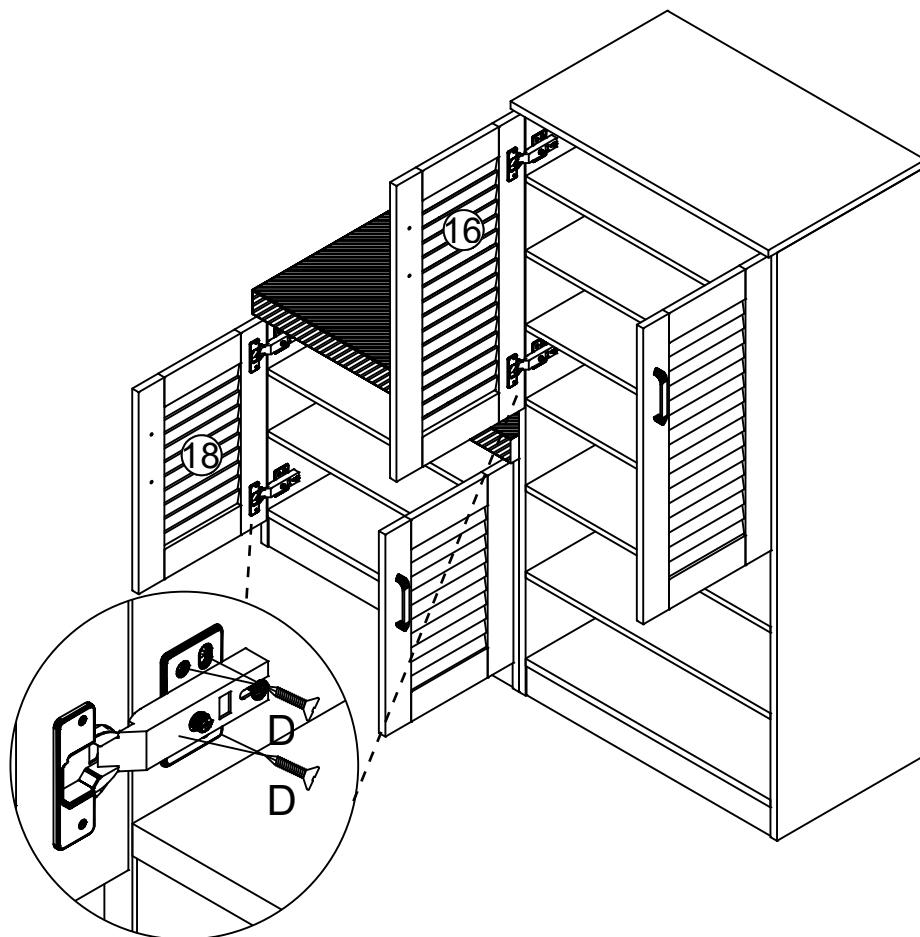
# PAEG13

will require these parts

## STEP11



DX16

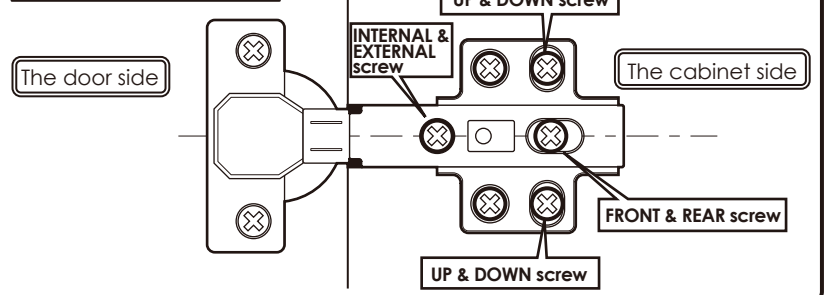


DX16

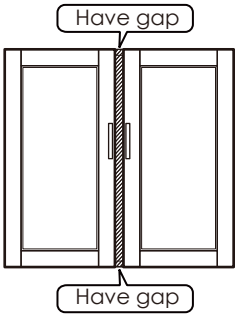
# The ways to adjust the door

- Before adjusting the hinge, please check whether the cabinet is skewed.
- If the skew can not be repaired, please remove the anti-tipping device first, then adjust the cabinet to vertical position.
- Please adjust the hinge with the door open.
- Please operate it with more than 2 people, one person holds the door and the other one adjusts the screw.

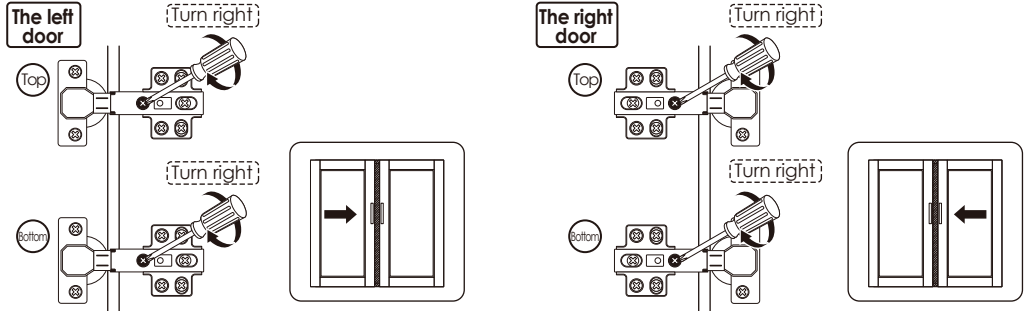
## Components Name



### Obvious gaps between doors or Doors don't look closed



- 1 Turn "internal & external screw" to the right can make the door approach inside. Please adjust the doors little by little.



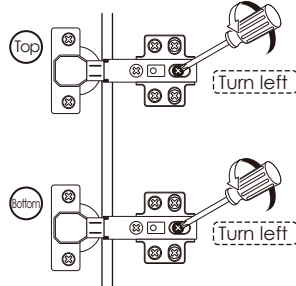
※ If the 2 doors are overlap, please turn the "internal & external screw" to the left.

### When door is crooked



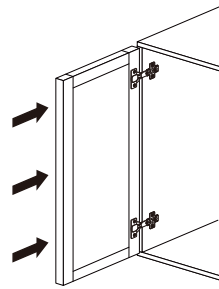
Please take the following steps to adjust first.

- 1 Rotate the "front and rear screws" to the left

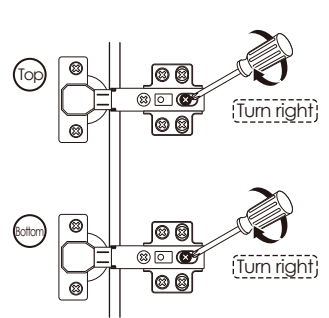


※ After adjusting the "front and rear screw", the door still does not change, please turn the "internal & external screw" to the right slightly.

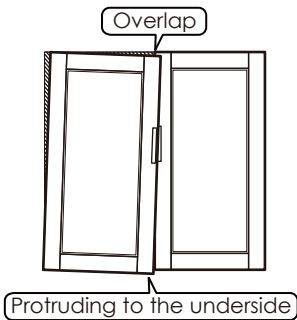
- 2 Push the door to the cabinet



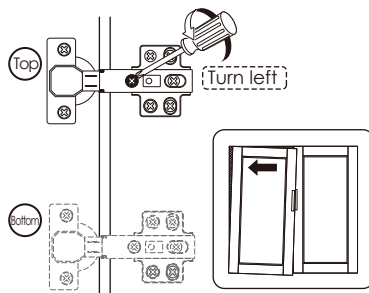
- 3 Rotate the "front and rear screws" to the right



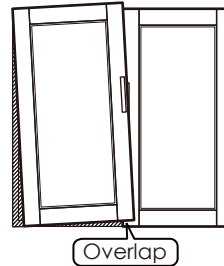
### When door is leaning



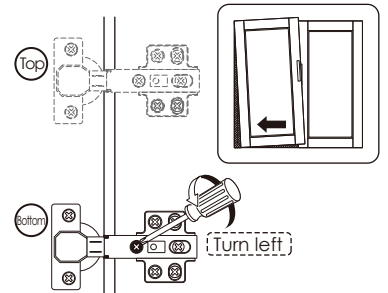
- 1 Turn "internal & external screw" to the left can make the top of the door tilted outward.



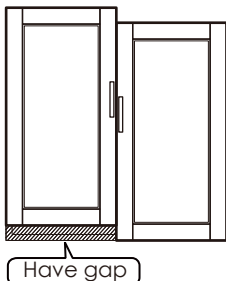
Protruding to the upside



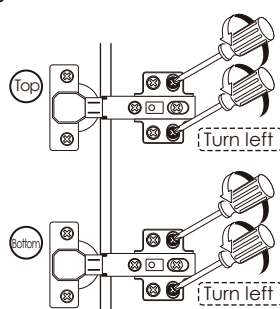
- 1 Turn "internal & external screw" to the left can make the bottom of the door tilted outward.



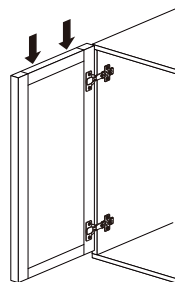
### When the door is higher on top



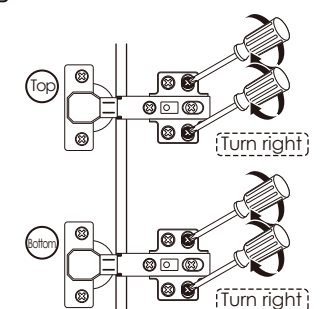
- 1 Turn "up & down screw" to the left



- 2 Lower the door's height so that 2 doors are of the same height.



- 3 Turn "up & down screw" to the right



※ If the door is lower on bottom, please lift up the left door slightly on step 2