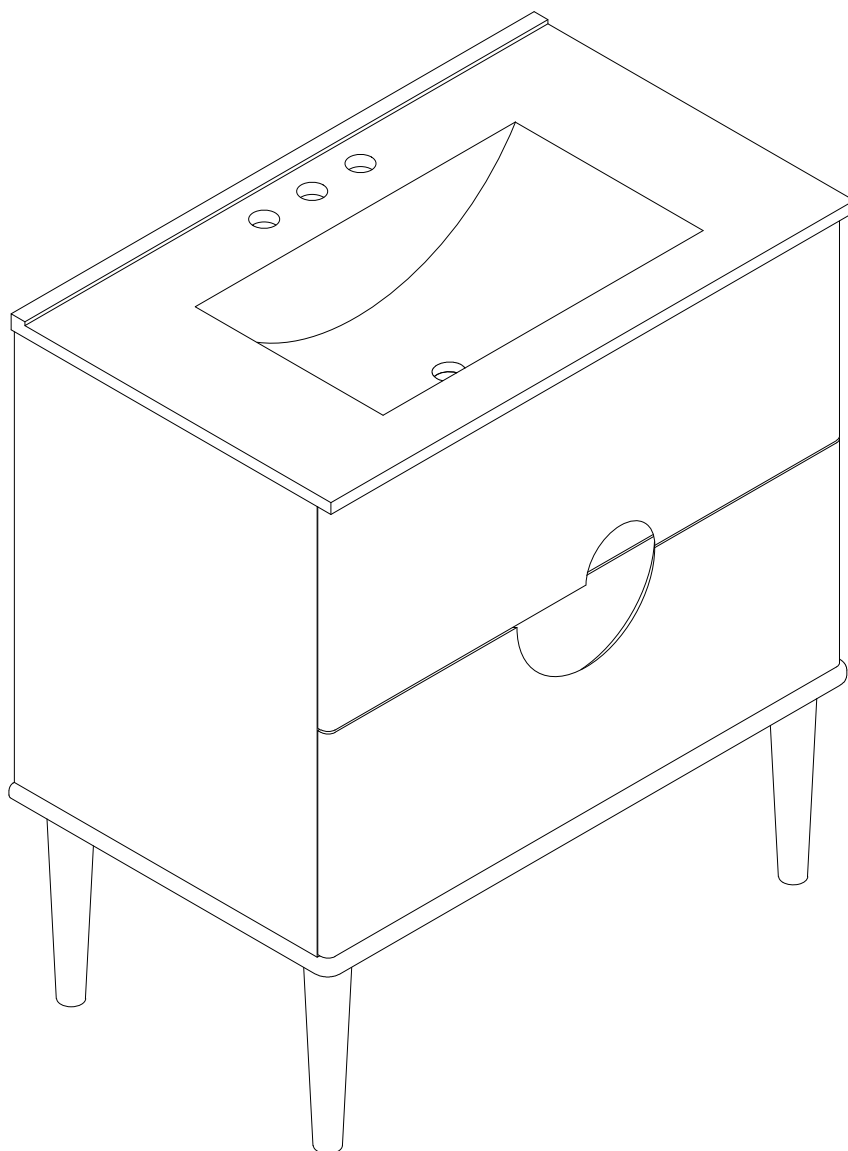


ASSEMBLY INSTRUCTIONS

30" BATHROOM VANITY

N710P194130

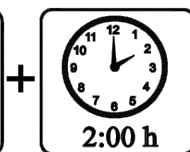
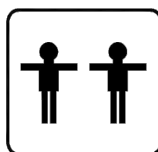


Thank you for purchasing this quality product. Be sure to check all packing material carefully for small parts which may have come loose inside the carton during shipment. Separate, identify and count all parts and hardware.

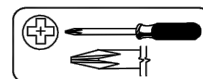
Compare with the parts list to be sure all parts are present.

"DO NOT TIGHTEN SCREWS UNTIL COMPLETELY ASSEMBLED"

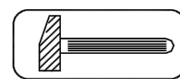
*** Use of power tool to assemble this product will invalidate any claim and damage this product making unsafe !!!**
*** Please assemble on a clean soft surface to avoid damage.**



Tools Required



(Not included)



(Not included)

IMPORTANT:

PLEASE READ INSTRUCTION BEFORE STARTING THE ASSEMBLY

PLEASE DO NOT RETURN TO STORE



**Please do not return this product to the retailer!!
We are able to assist you in ANY way**

If you find that you have any trouble with assembly or missing or damaged parts please contact the seller.

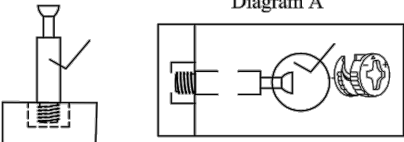
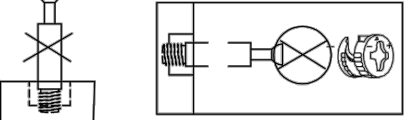
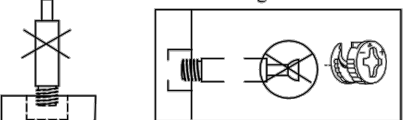
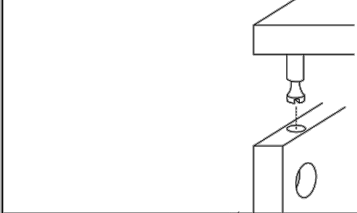
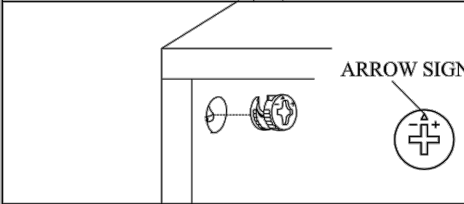
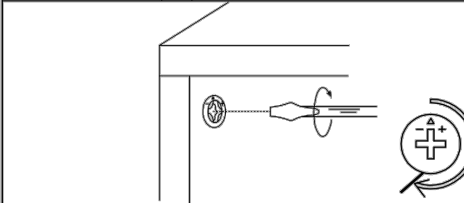
Before Installation

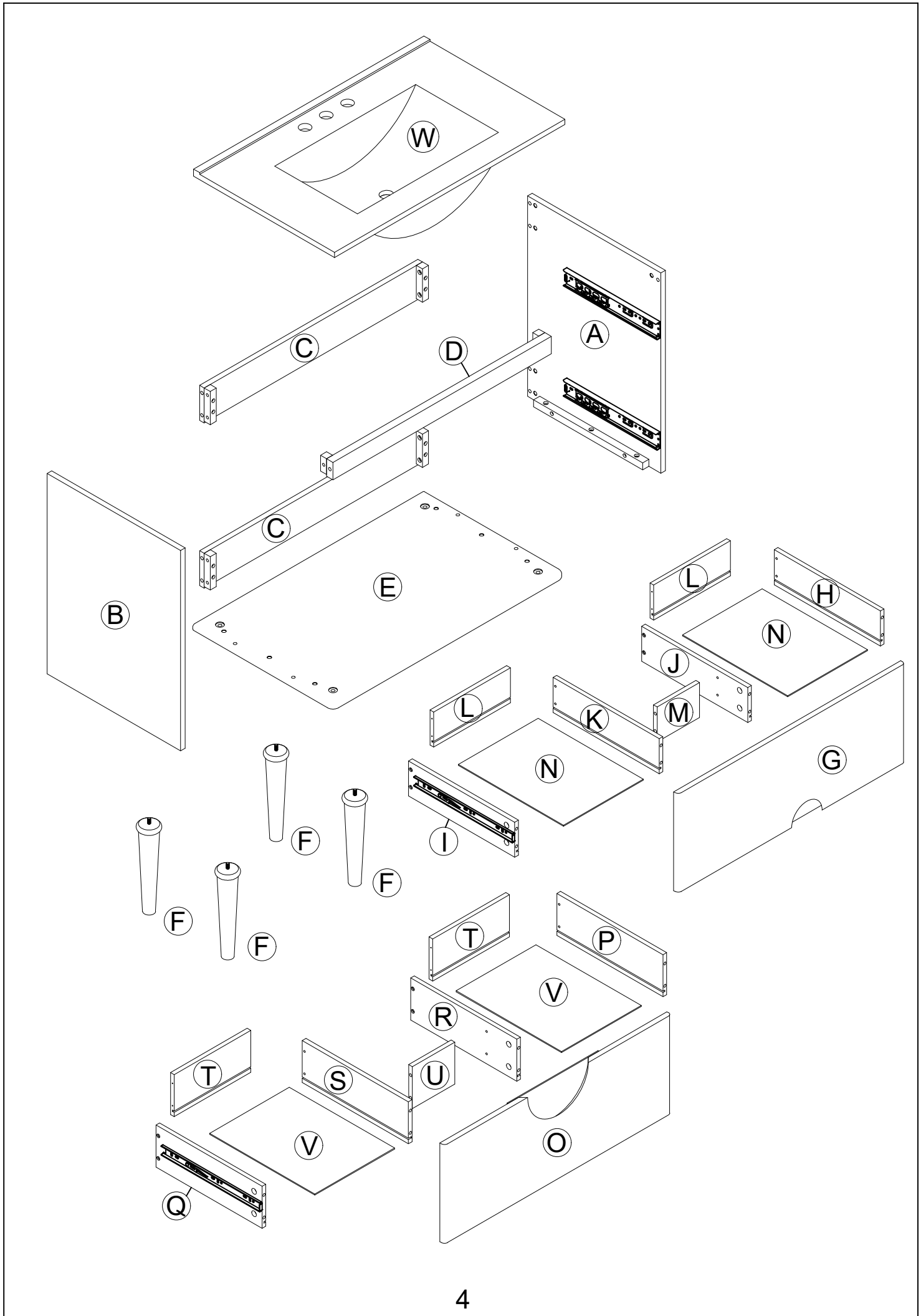
Important – Please read these instructions fully before starting assembly

Thank you for purchasing this quality product. Be sure to check all packing materials carefully for small parts, which may have come loose inside the carton during shipment. Identify and count all items according to the PARTS LIST and/or HARDWARE LIST shown below. Check you have all the components and tools listed on the following pages.

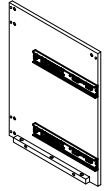
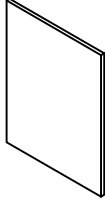
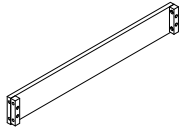
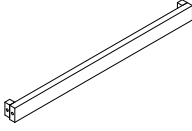
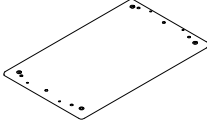

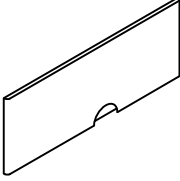
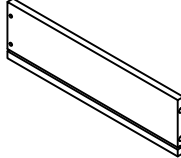
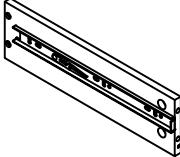
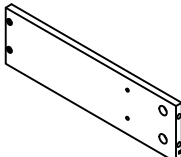
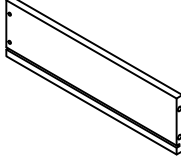
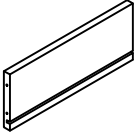
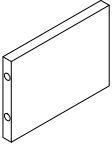
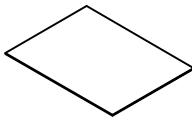
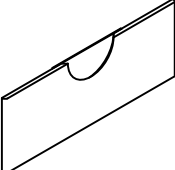
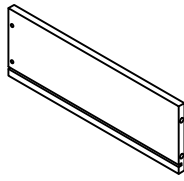
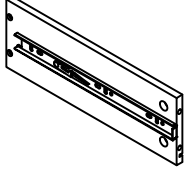
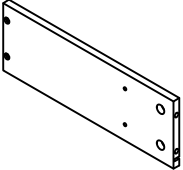
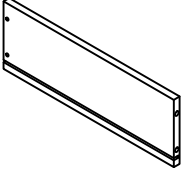
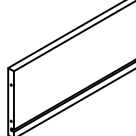
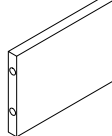
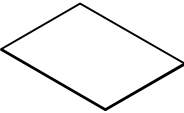

- We recommend that you assemble this product with the assistance of another person; this will make the assembly easier, and will help eliminate damage to the product or injury to persons during assembly.
- Please do not over tighten screws or bolts until the assembly is completed.
- Keep children and animal away from the work area, small parts could choke if swallowed.
- Please put all parts on a non-abrasive floor before assembly, and follow the assembly steps to assemble your newly purchased product correctly and efficiently.

Cam Lock Assembly Instructions

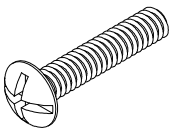
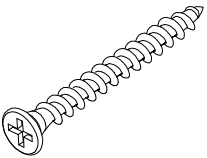
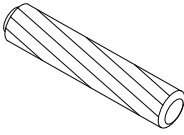
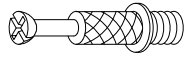
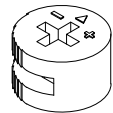
	<p>Diagram A</p> <p>Insert Cam Bolt into hole as shown in diagram A.</p>
	<p>Diagram B</p> <p>Make sure not to insert the Cam Bolt: Too deep as shown in figure B as this will cause the Cam Lock to be misaligned and unable to interlock properly.</p>
	<p>Diagram C</p> <p>Also avoid inserting the Cam Bolt too close to the surface of the hole as shown in figure C, as this will cause the Cam Lock to be too loose, and not interlock properly.</p>
	<p>Connect the panels together.</p>
	<p>ARROW SIGN</p> <p>Insert the Cam Lock so the side opening fits over the head of the Cam Bolt.</p>
	<p>To tighten the Cam Lock, turn it clockwise on half a turn with a flat screwdriver. <i>*Do not use an automatic screwdriver as it may bend or break if too much power is imposed.</i></p>



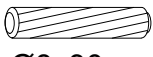
PRODUCT PARTS:

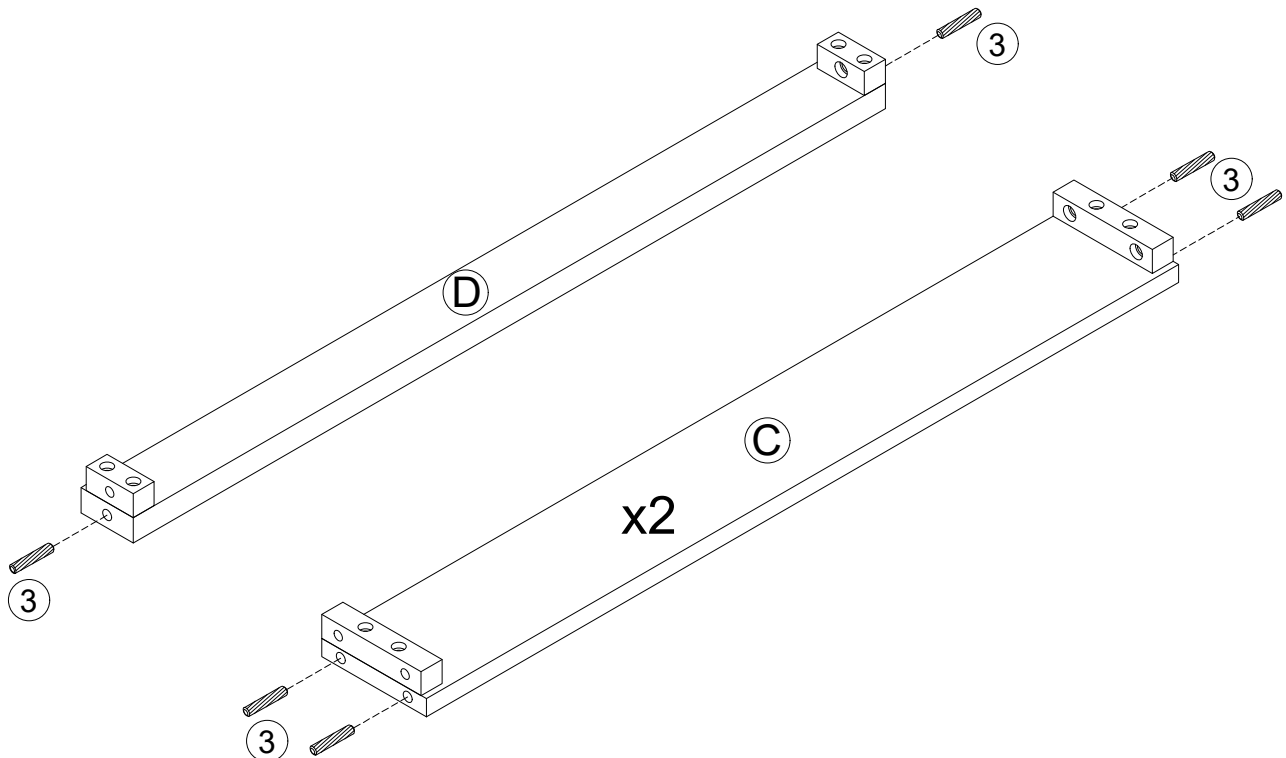
A	B	C	D	E	F
					
1PC	1PC	2PCS	1PC	1PC	4PCS
G	H	I	J	K	L
					
1PC	1PC	1PC	1PC	1PC	2PCS
M	N	O	P	Q	R
					
1PC	2PCS	1PC	1PC	1PC	1PC
S	T	U	V	W	
					
1PC	2PCS	1PC	2PCS	1PC	

HARDWARE:


①	②	③	④	⑤
				
1/4"x25mm	Ø4x25mm	Ø8x30mm	Ø6x33mm	Ø15x9mm
16+1 PCS	16+1 PCS	14+1 PCS	24+2 PCS	24+2 PCS

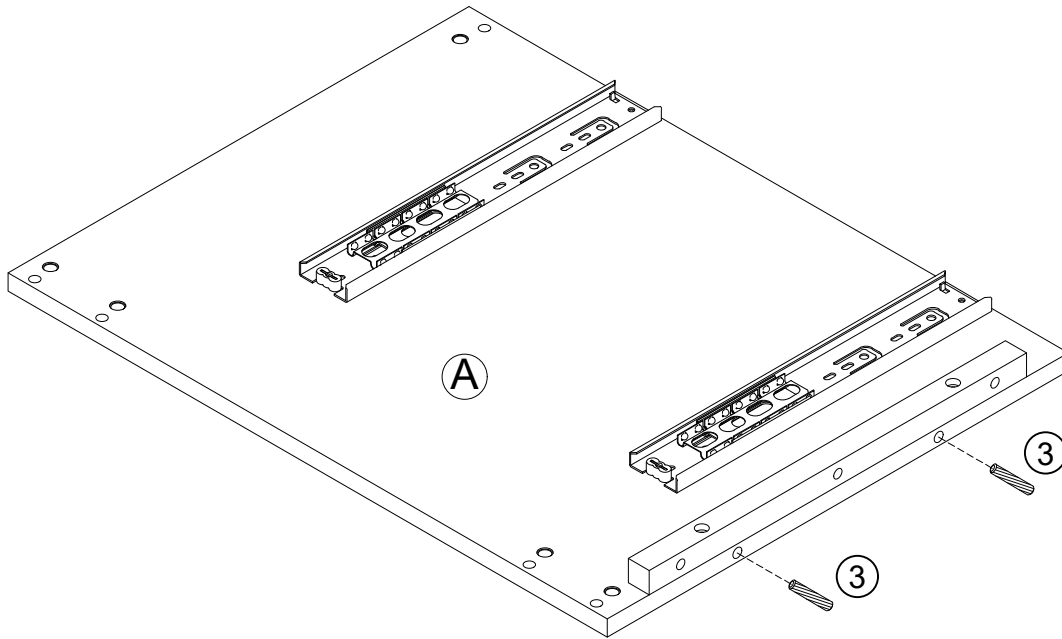
STEP 1

③  10pcs
Ø8x30mm




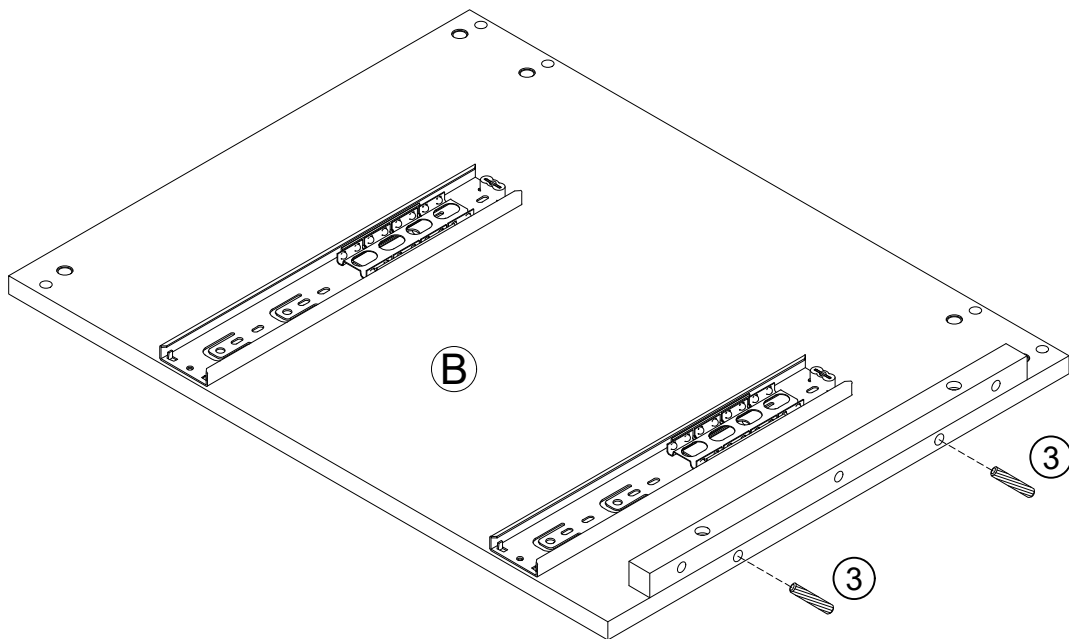
STEP 2

③  2pcs
Ø8x30mm




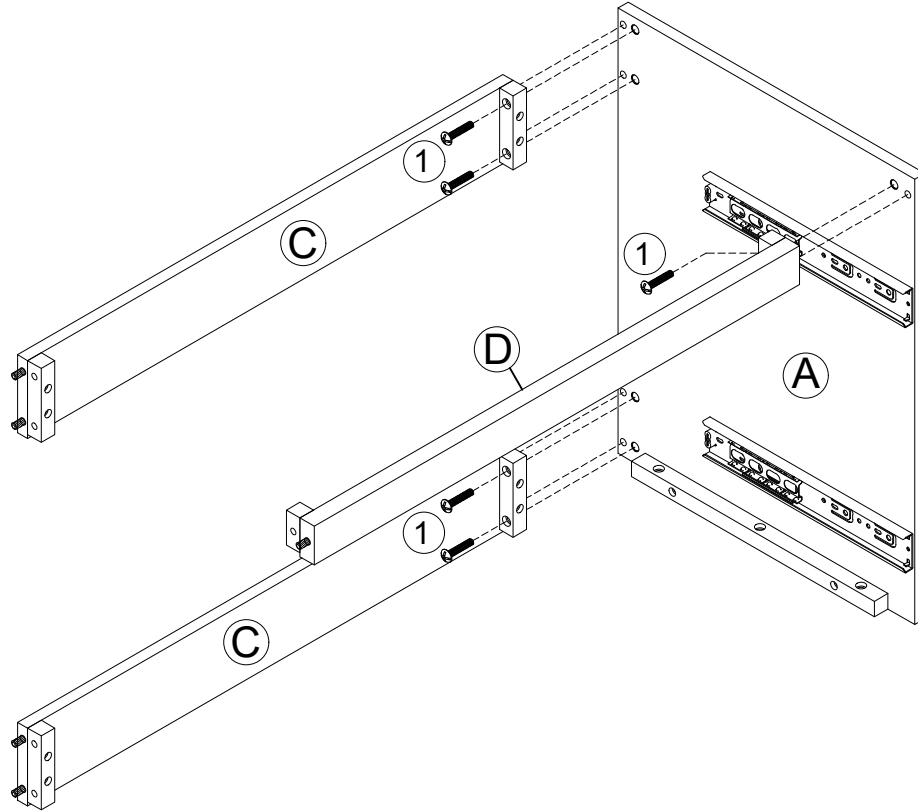
STEP 3

③  2pcs
Ø8x30mm



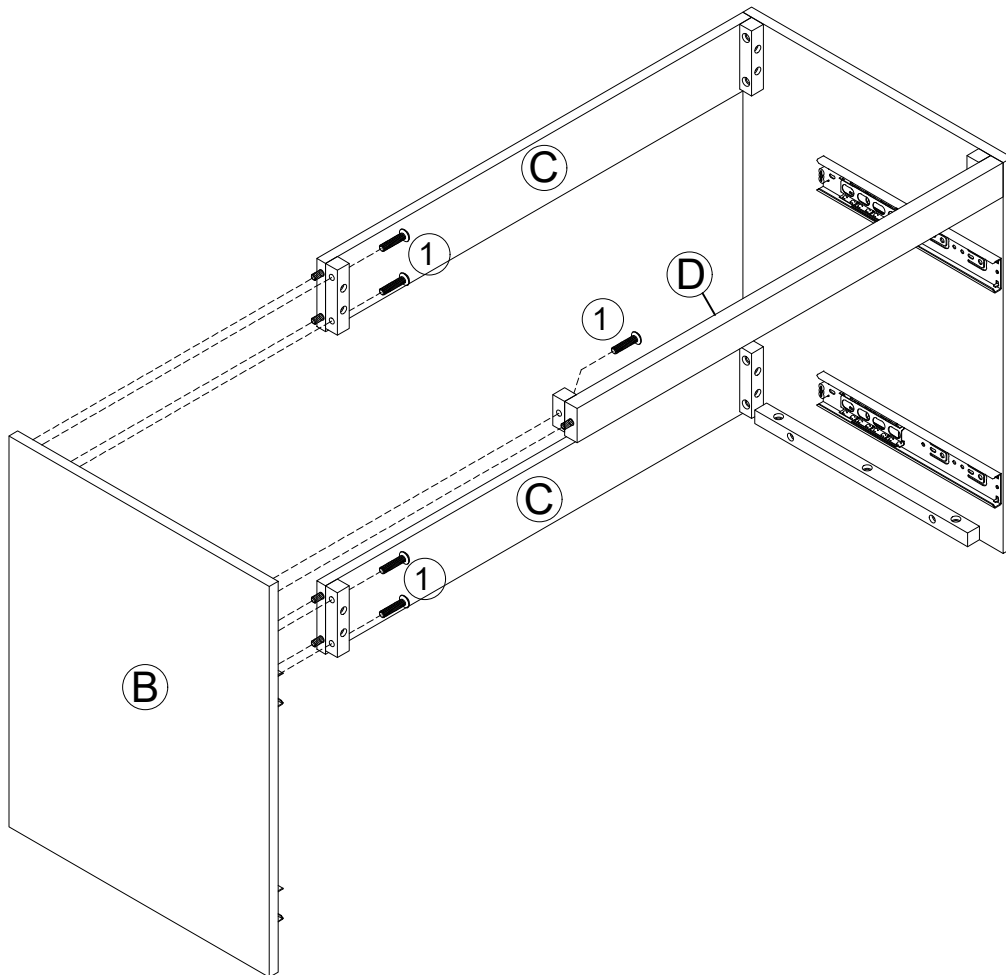
STEP 4

- ①  5pcs
1/4"x25mm



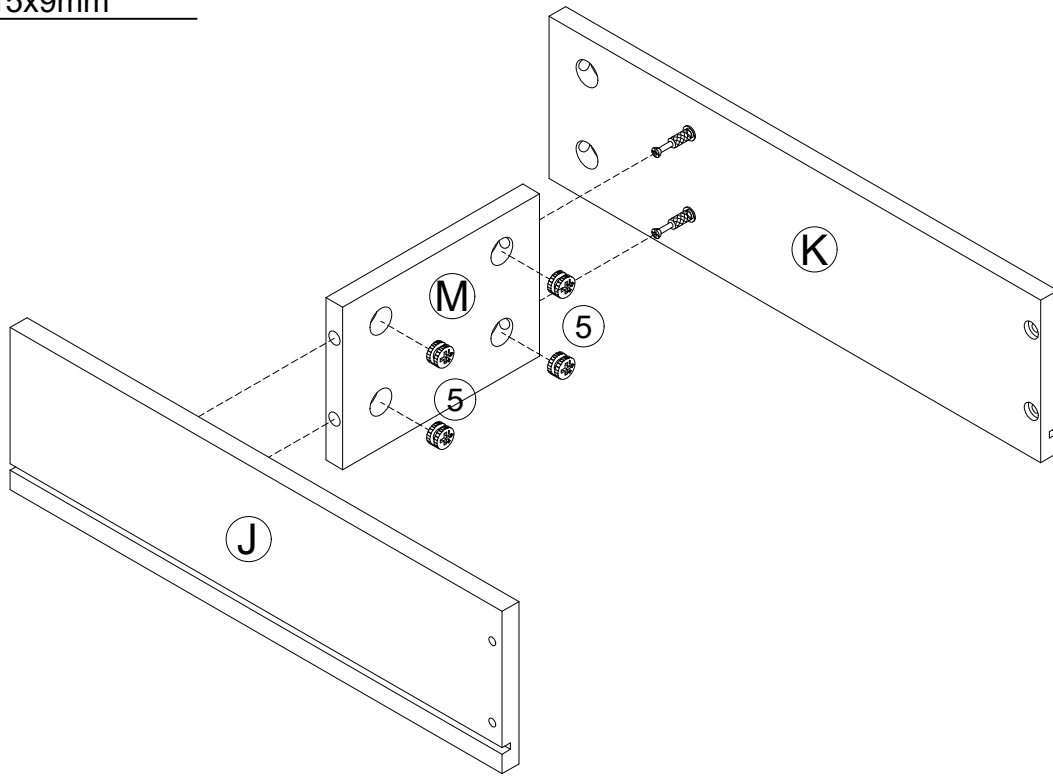
STEP 5

- ①  5pcs
1/4"x25mm




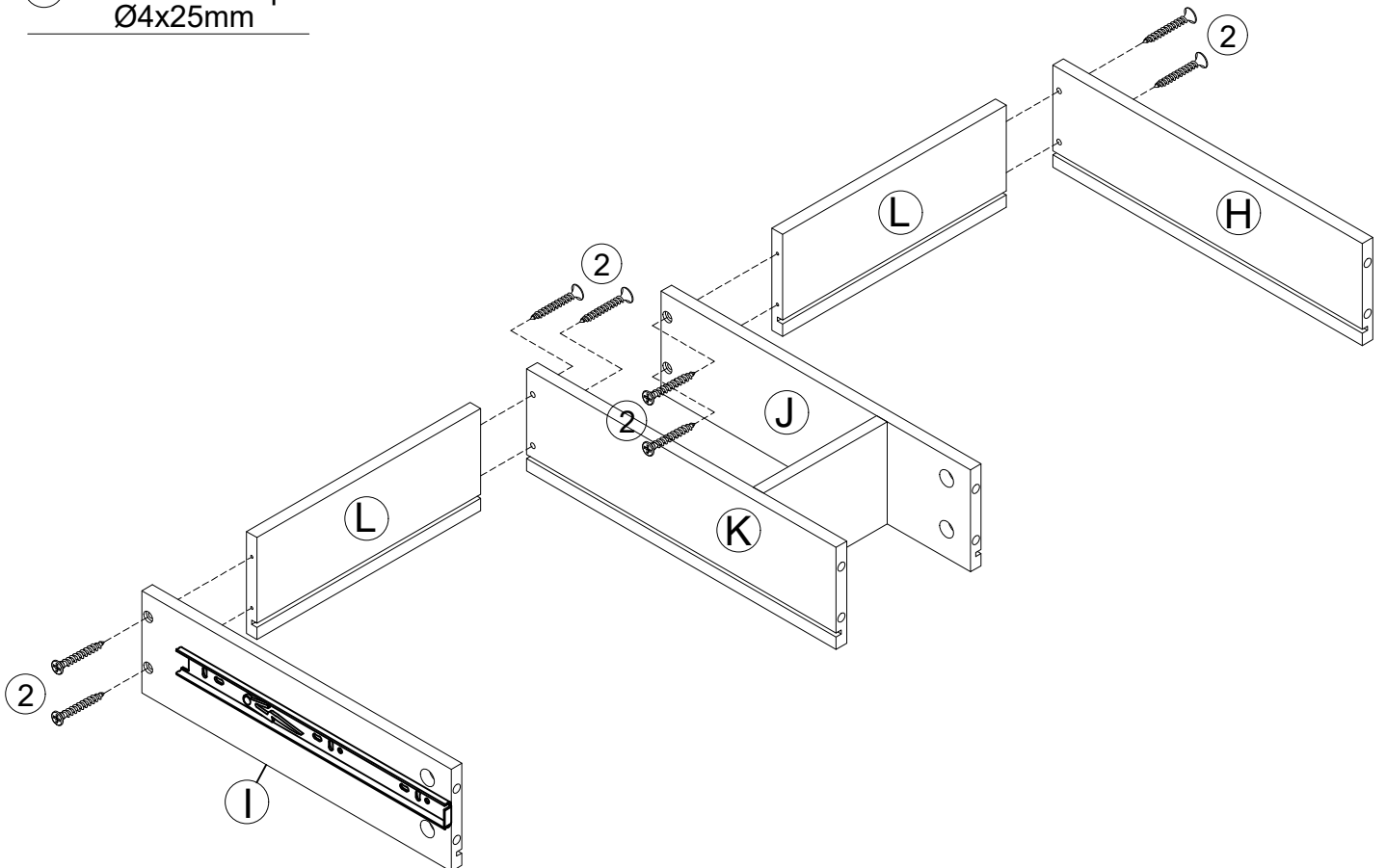
STEP 8

⑤  4pcs
Ø15x9mm

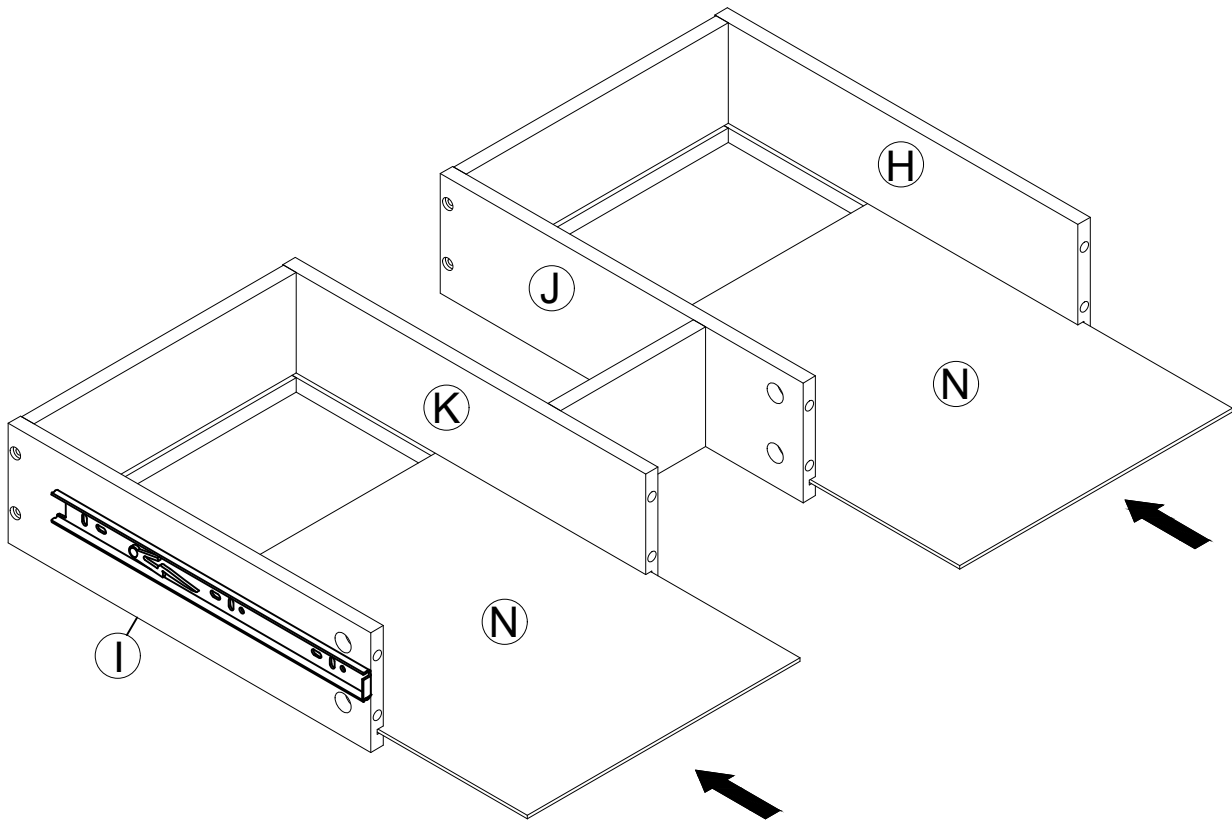


STEP 9

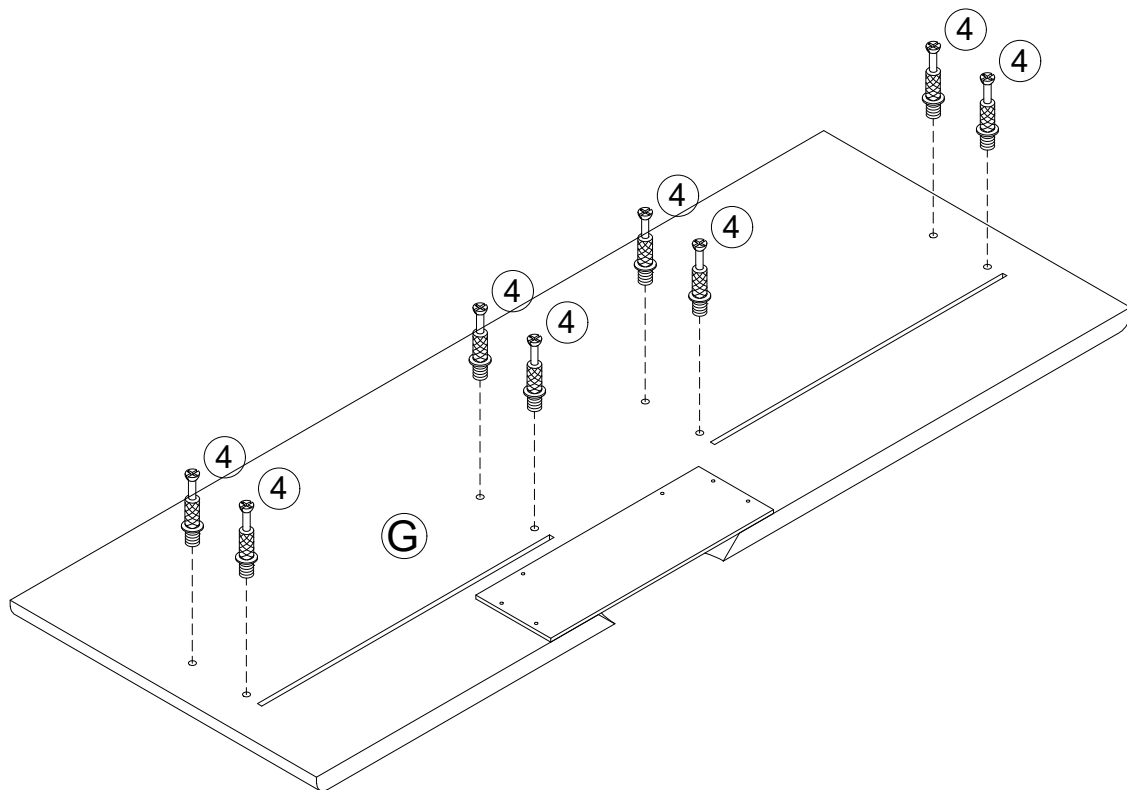
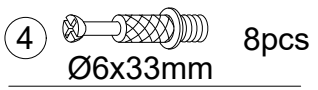
②  8pcs
Ø4x25mm



STEP 10

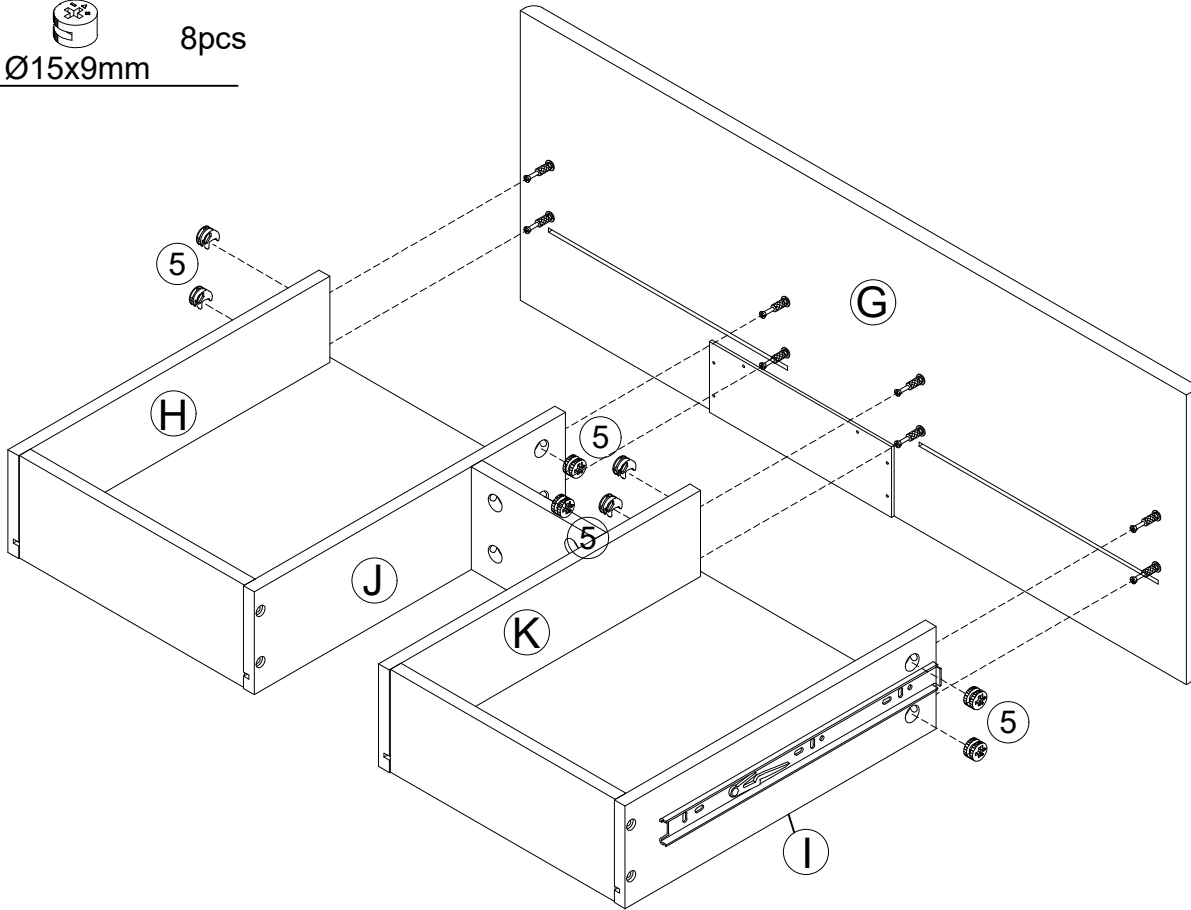


STEP 11

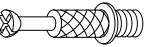


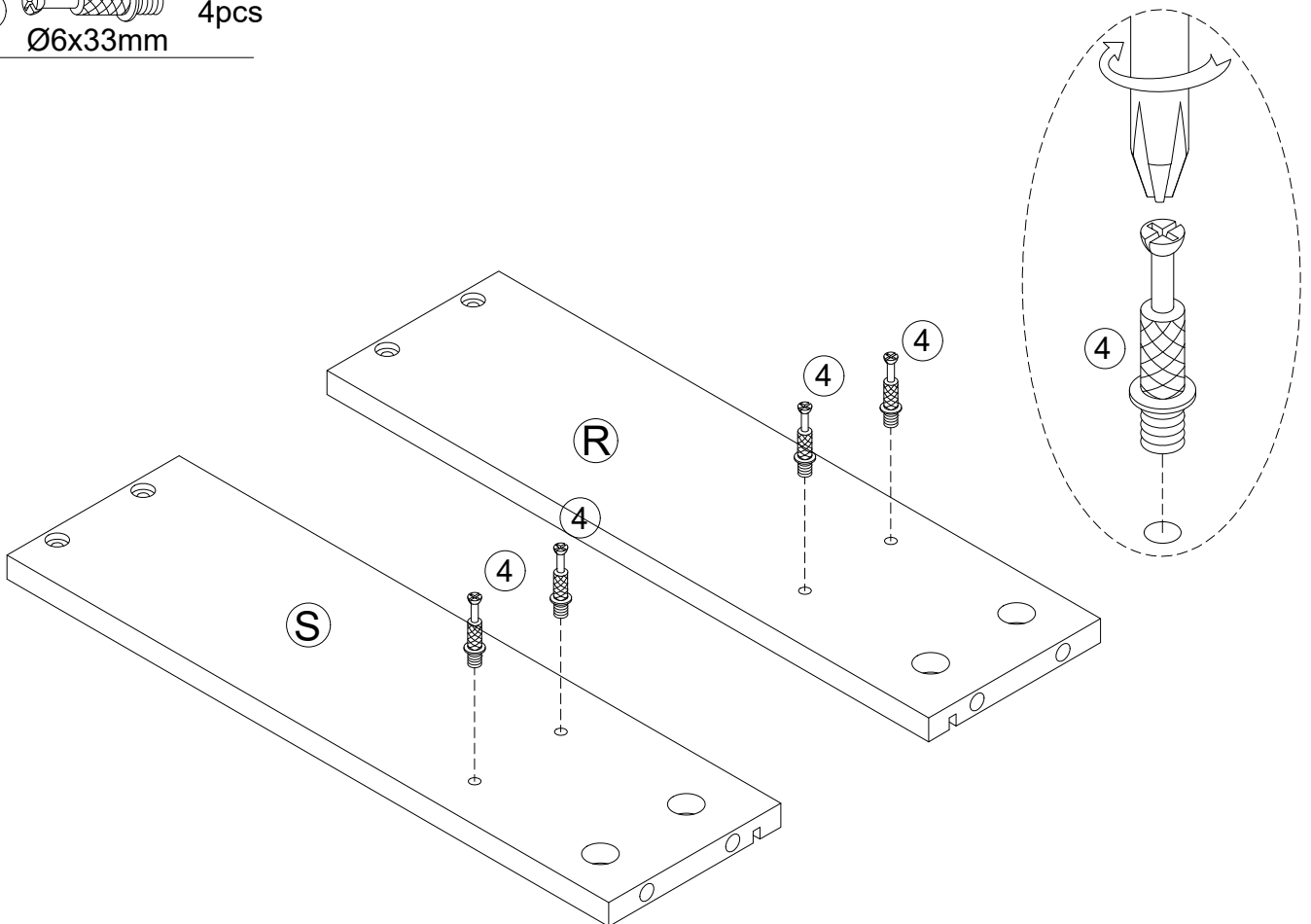
STEP 12

⑤  8pcs
Ø15x9mm



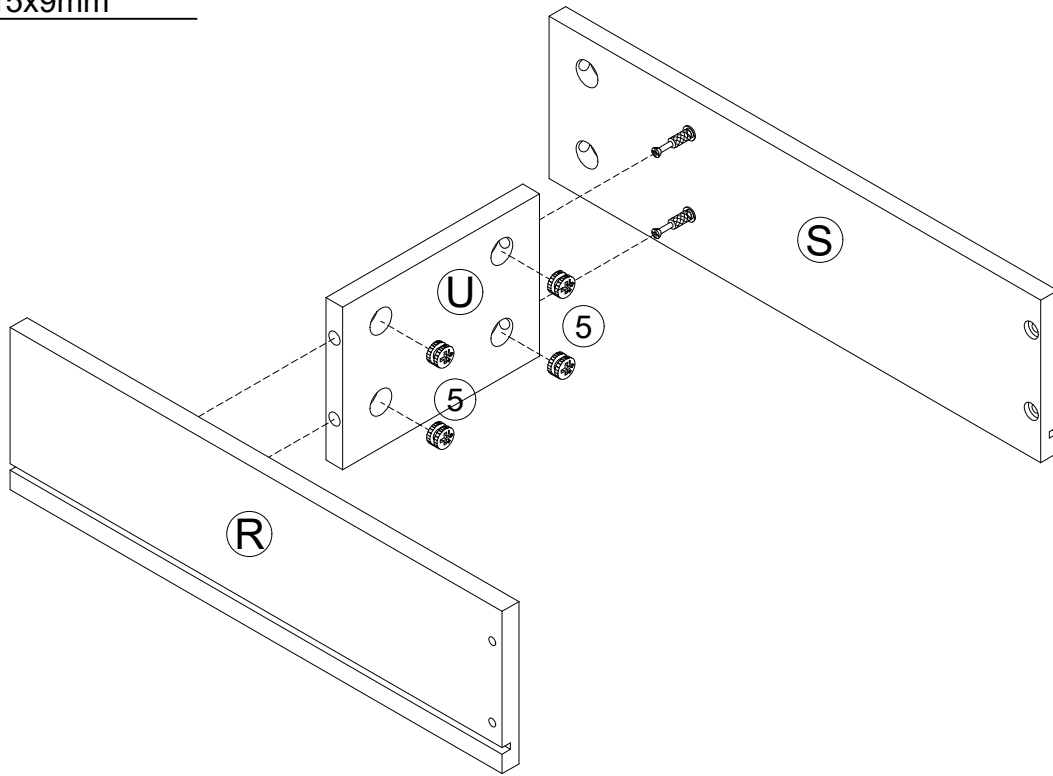
STEP 13

④  4pcs
Ø6x33mm




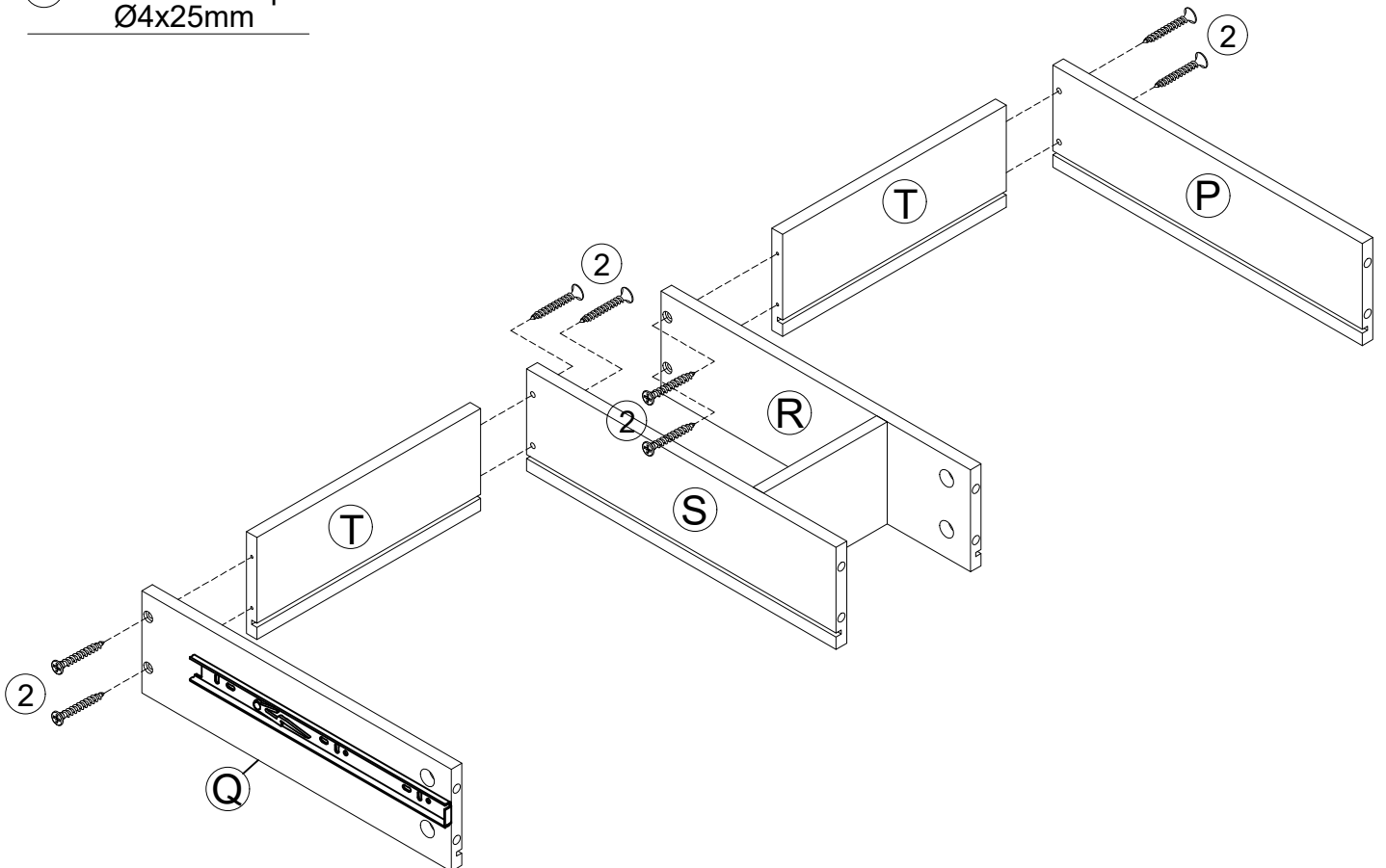
STEP 14

⑤  4pcs
Ø15x9mm

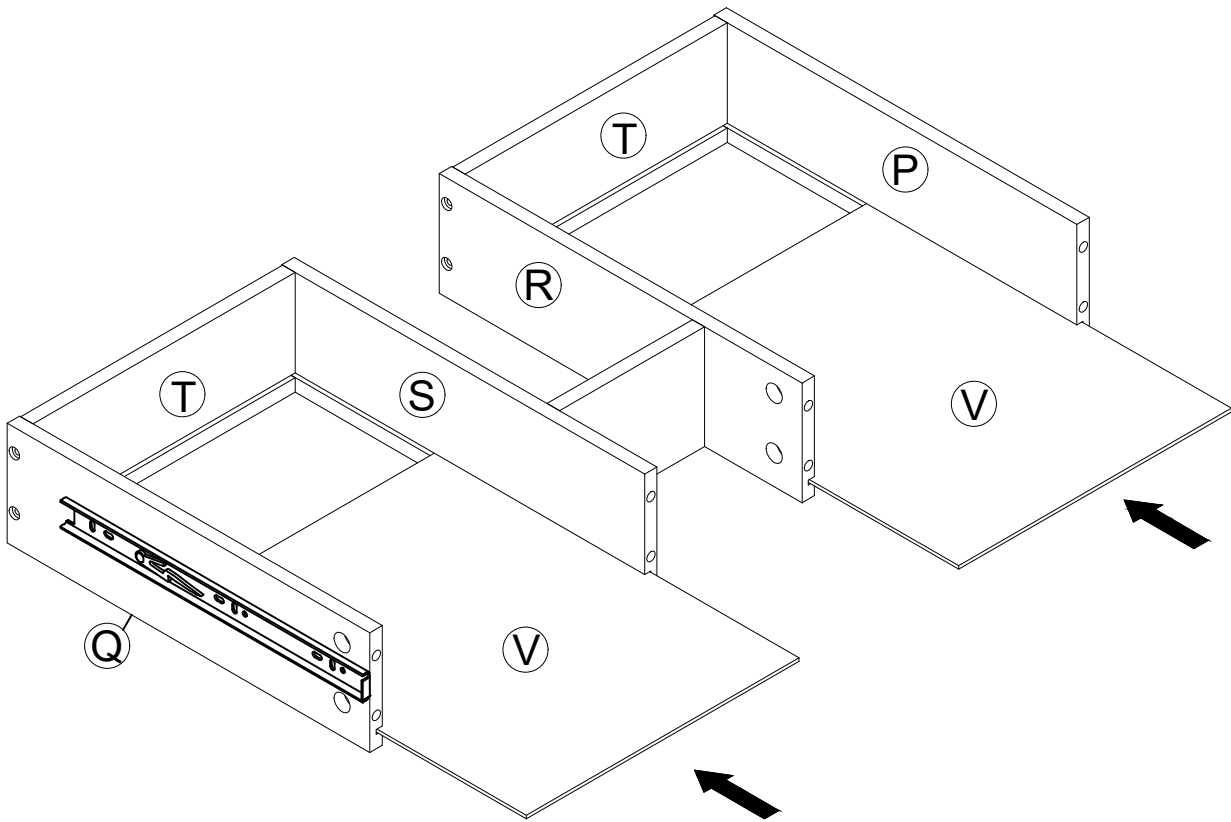


STEP 15

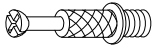
②  8pcs
Ø4x25mm

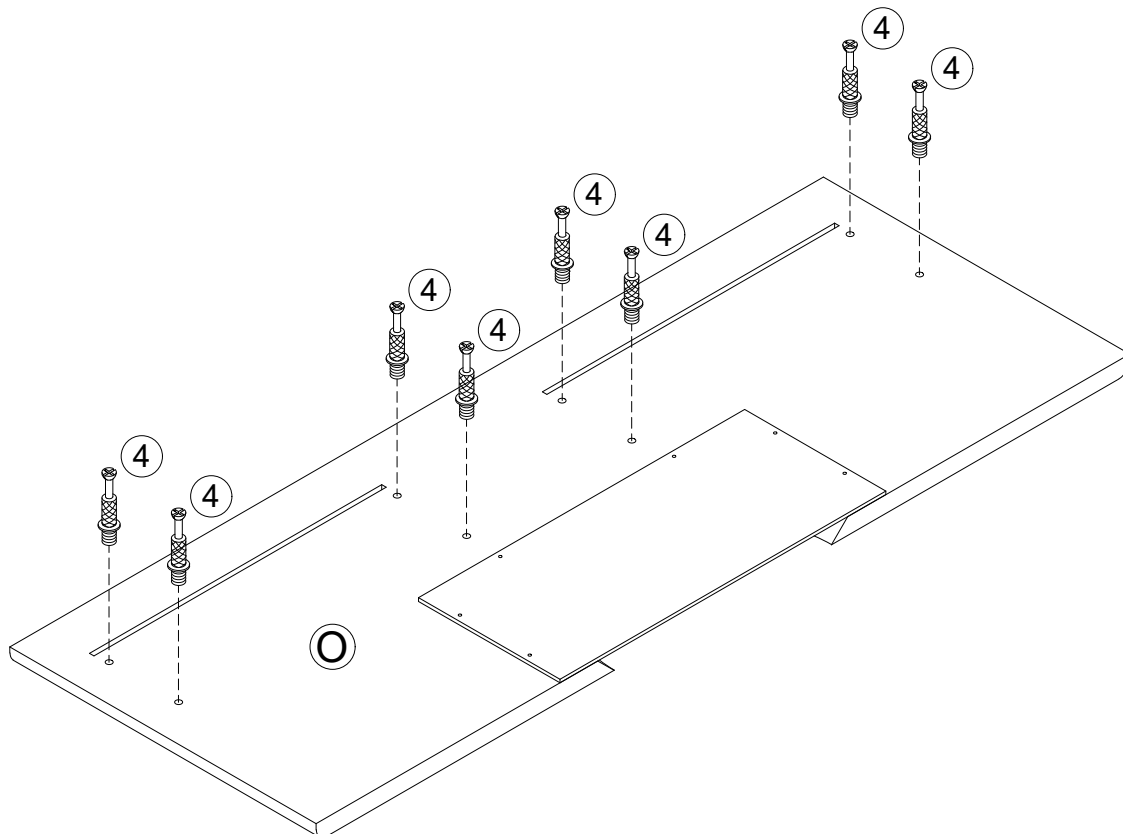


STEP 16




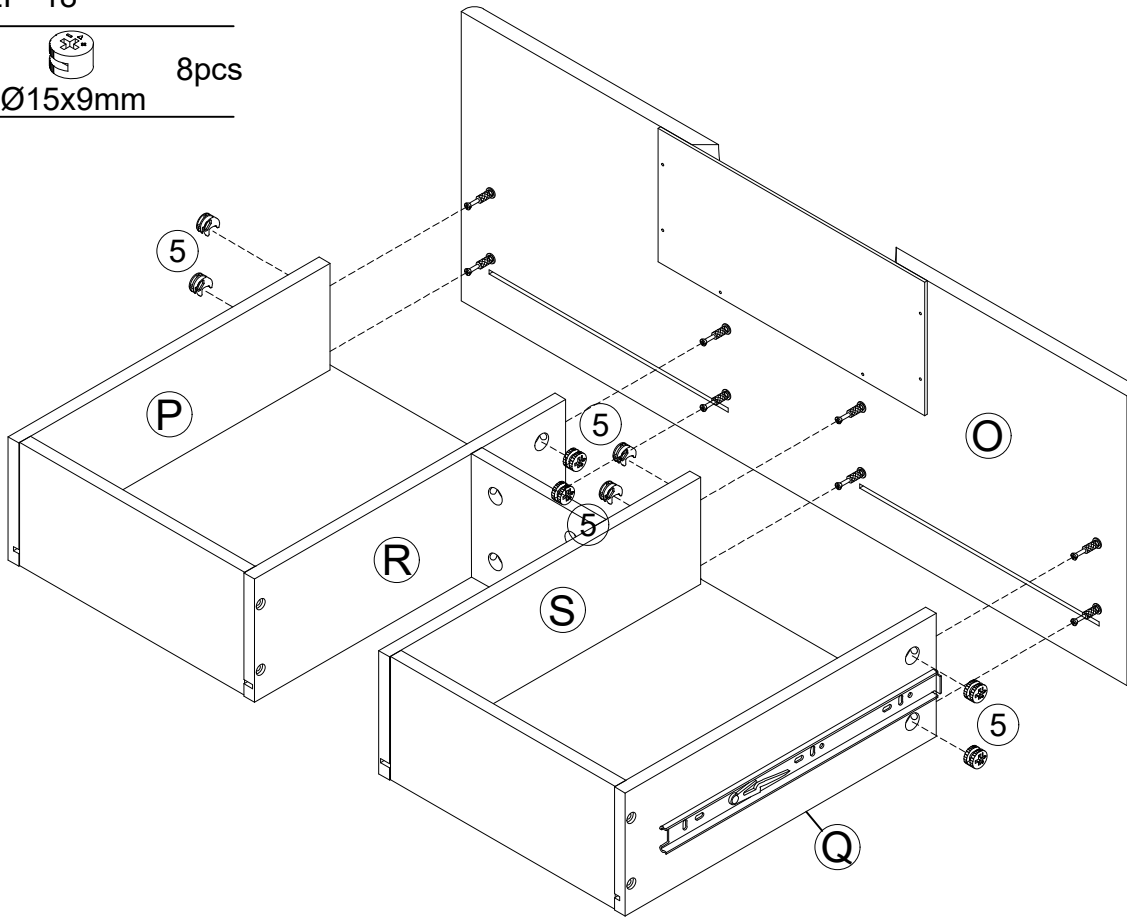
STEP 17

- ④  8pcs
Ø6x33mm

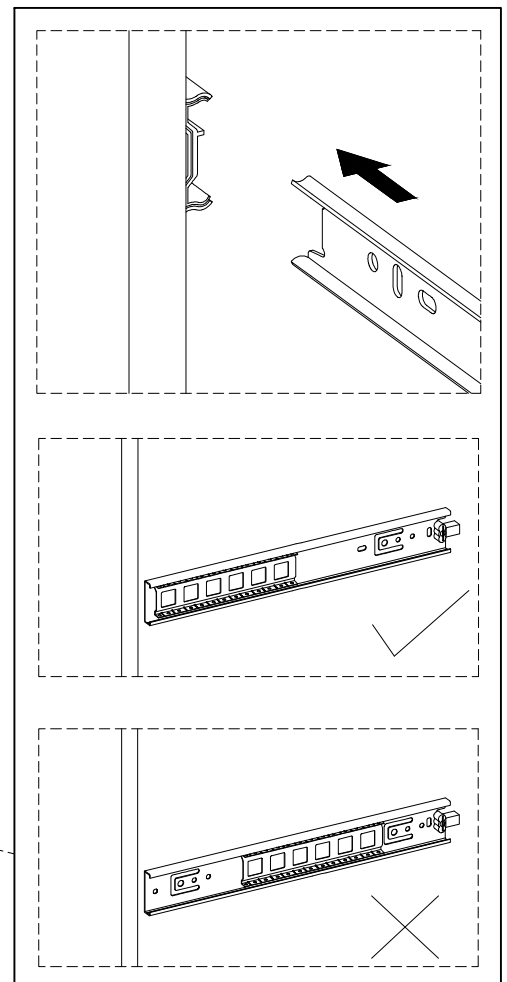
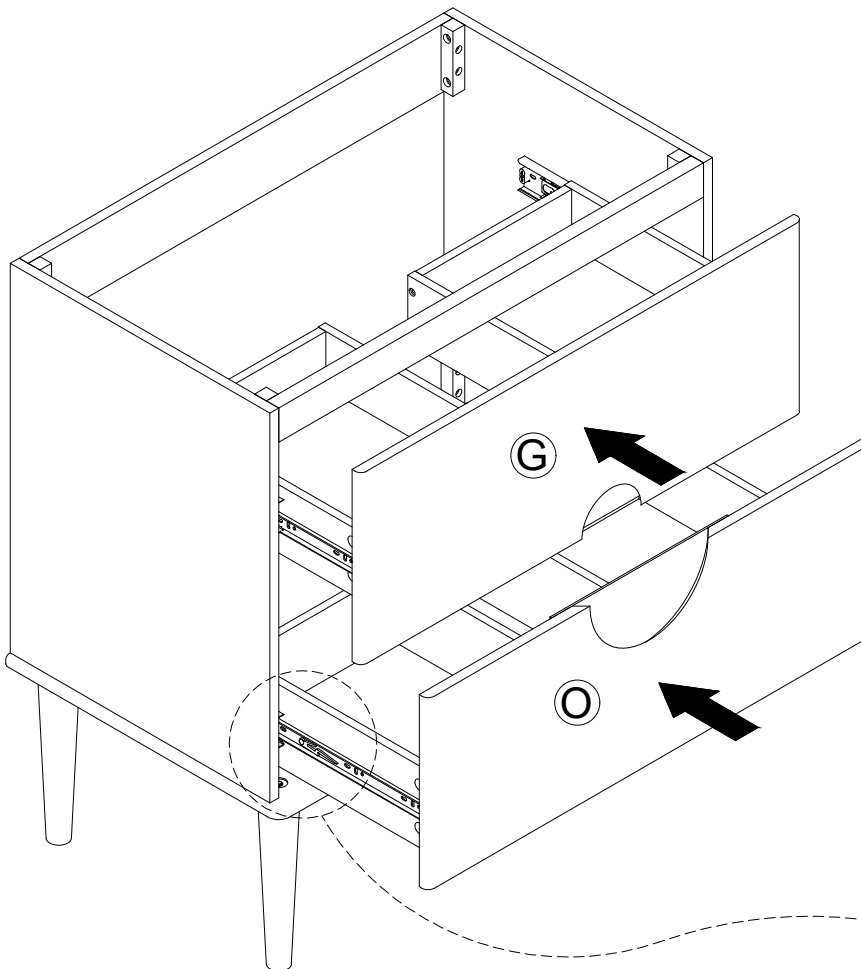


STEP 18

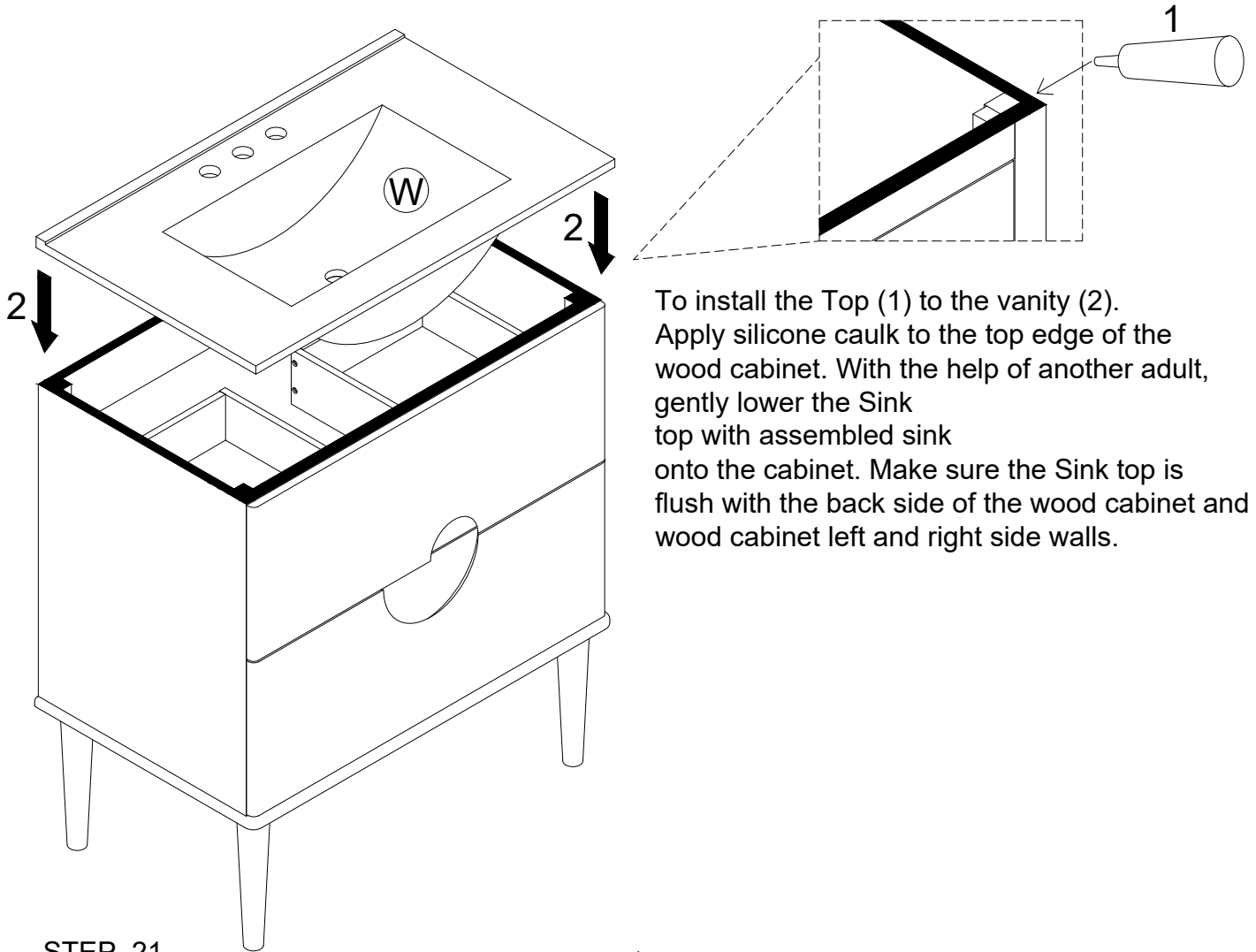
5  8pcs
Ø15x9mm



STEP 19



STEP 20



To install the Top (1) to the vanity (2). Apply silicone caulk to the top edge of the wood cabinet. With the help of another adult, gently lower the Sink top with assembled sink onto the cabinet. Make sure the Sink top is flush with the back side of the wood cabinet and the wood cabinet left and right side walls.

STEP 21

