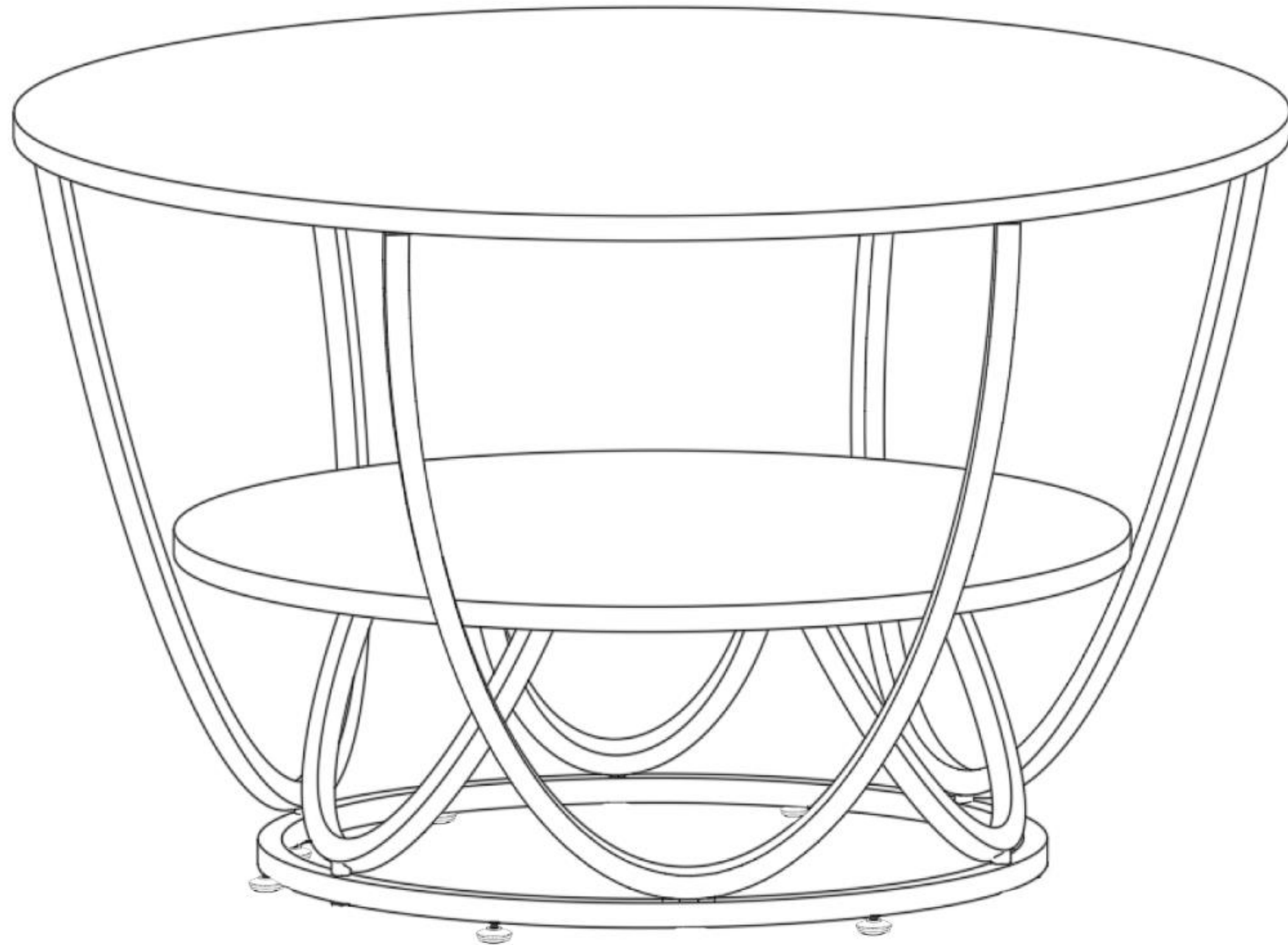
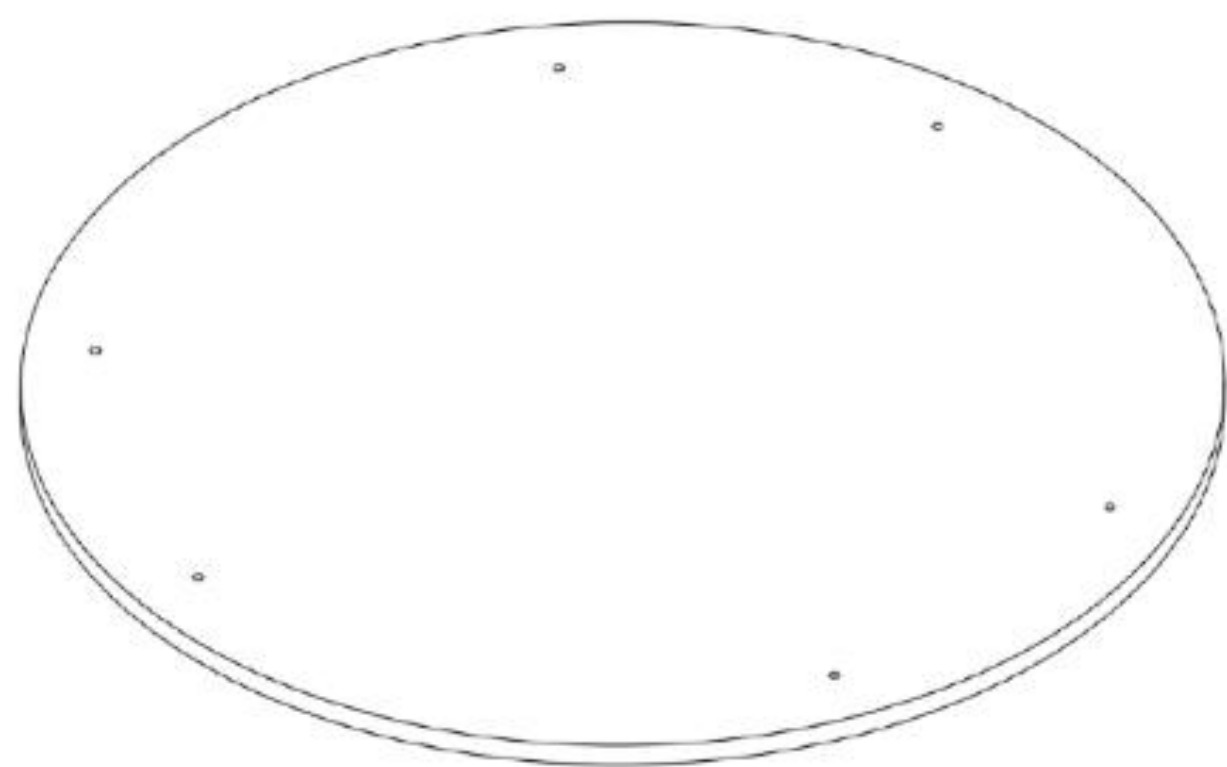


# Assembly Manual

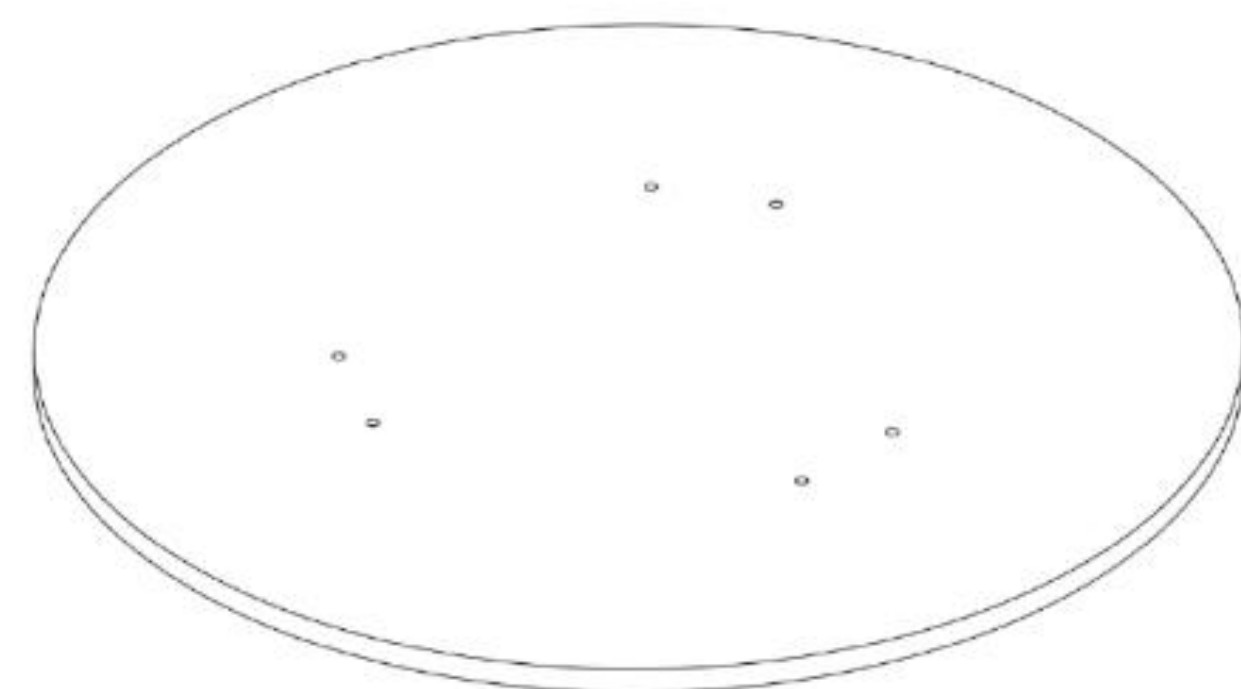


1



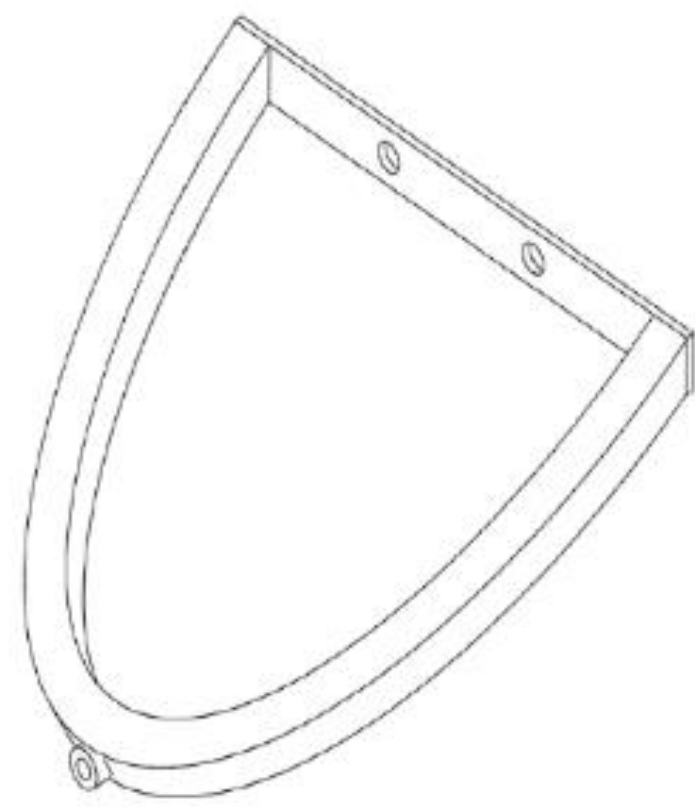
1pc

2



1pc

3



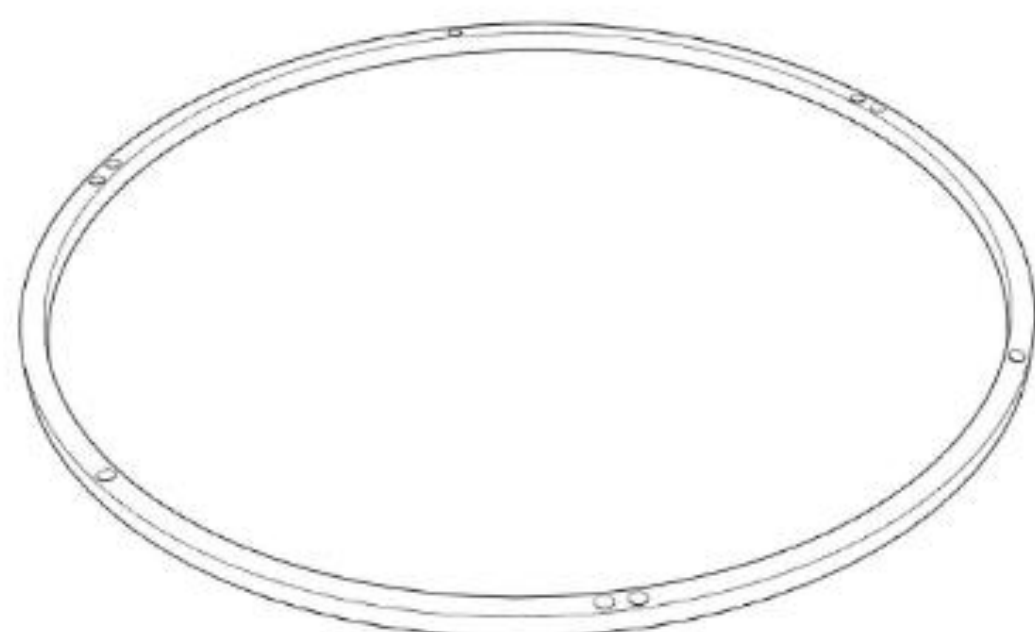
3pcs

4



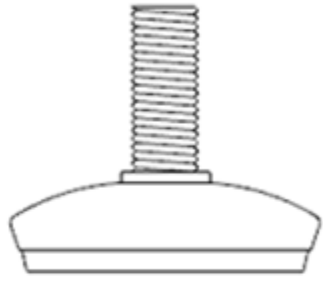



3pcs

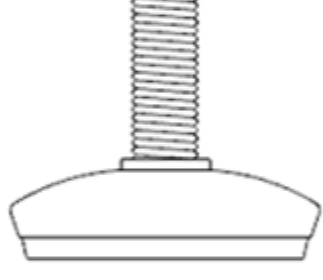


5



1pc

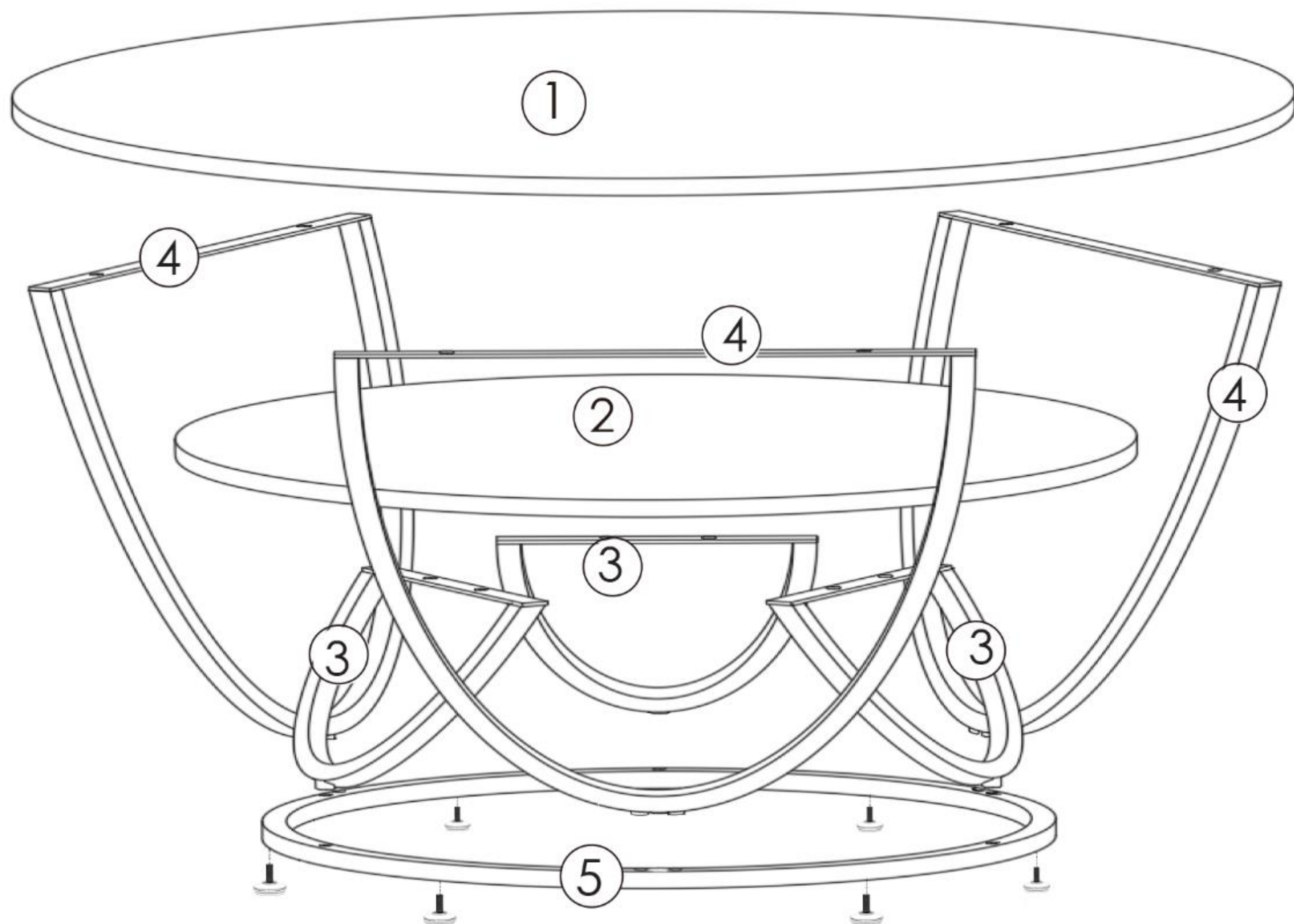
# Assembly Manual

Hardware Accessories								
NO.	PICTURE	SIZE	QTY		NO.	PICTURE	SIZE	QTY
A			6		B		M6*L10mm	12
C		M6*L25mm	9		D			1

SPARE								
NO.	PICTURE	SIZE	QTY		NO.	PICTURE	SIZE	QTY
A			1		B		M6*L10mm	1
C		M6*L25mm	1					

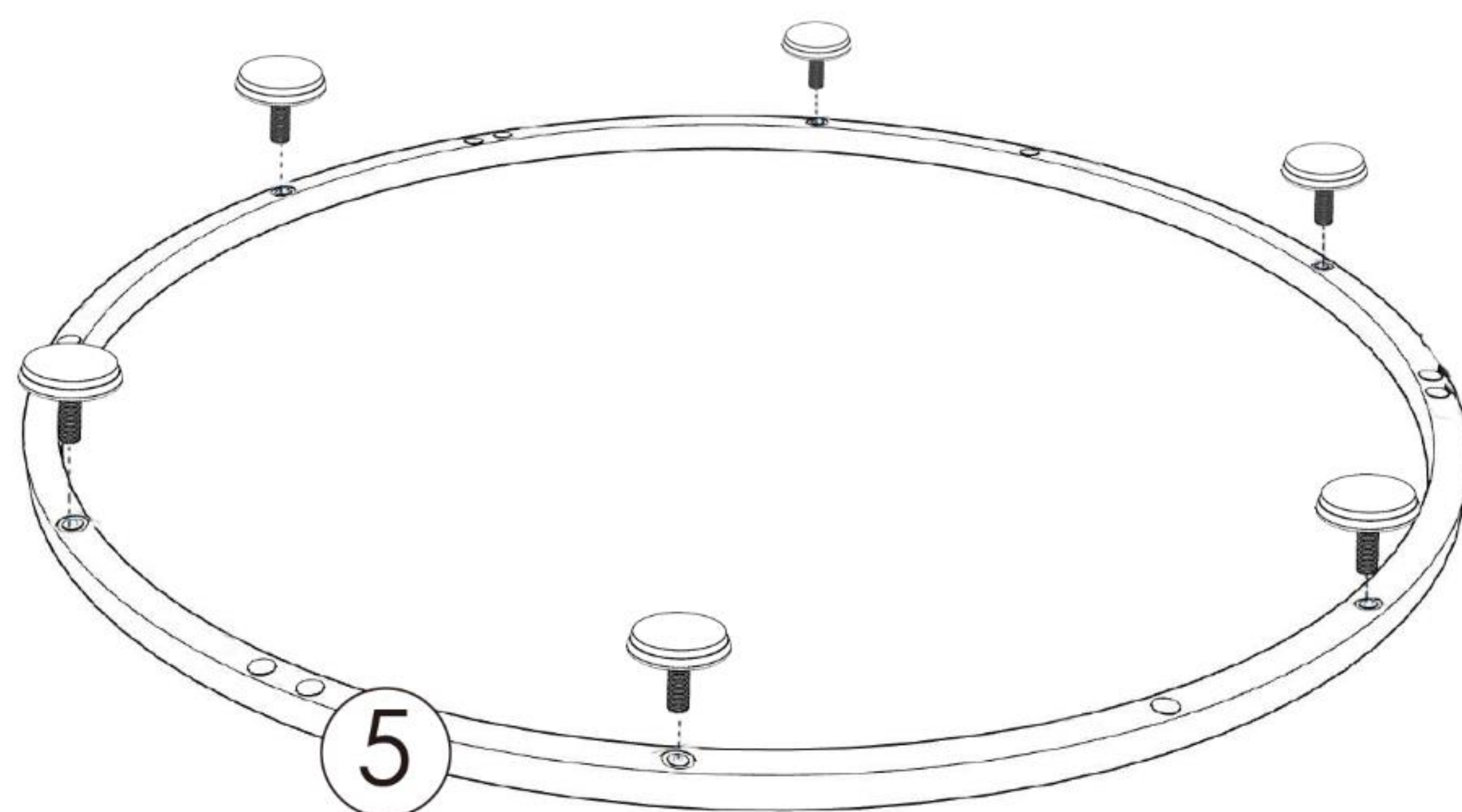
Before assembly , please put all part on a neat and clean sheet bottom cushion block cloth

# Exploded View

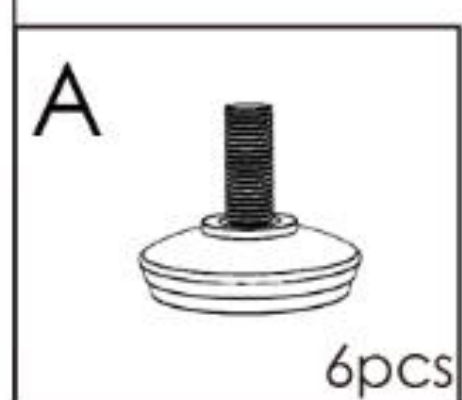


## Installation procedures

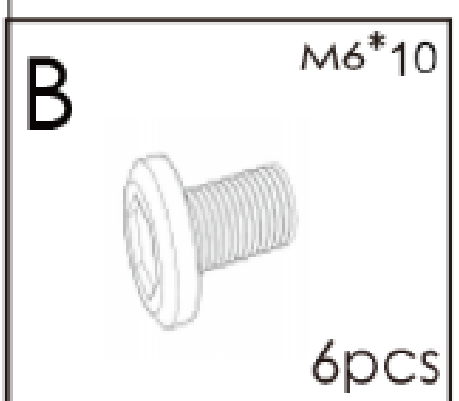
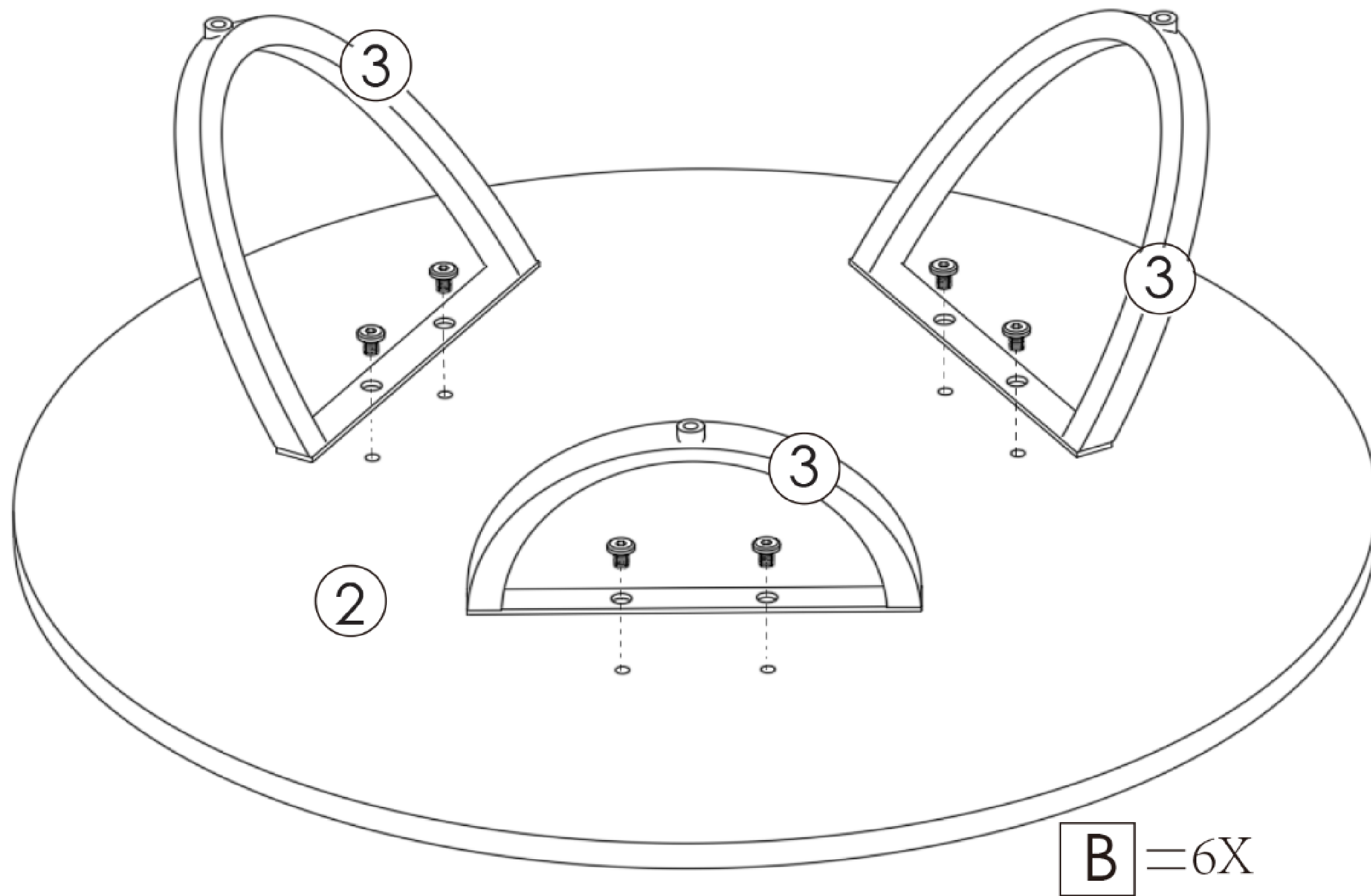
step 1



A = 6X

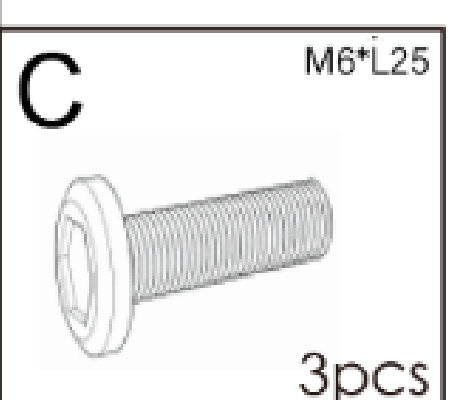
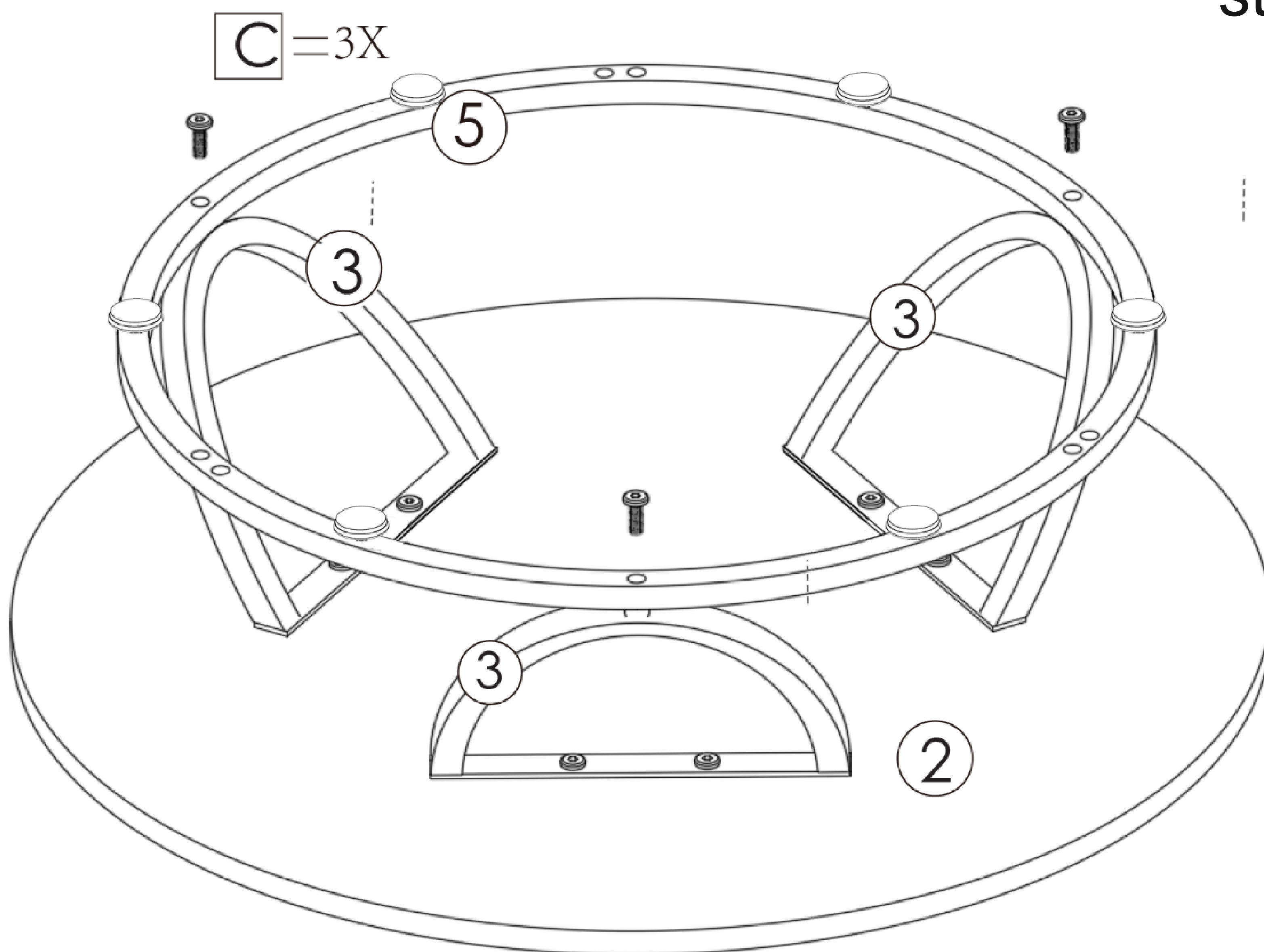


step 2



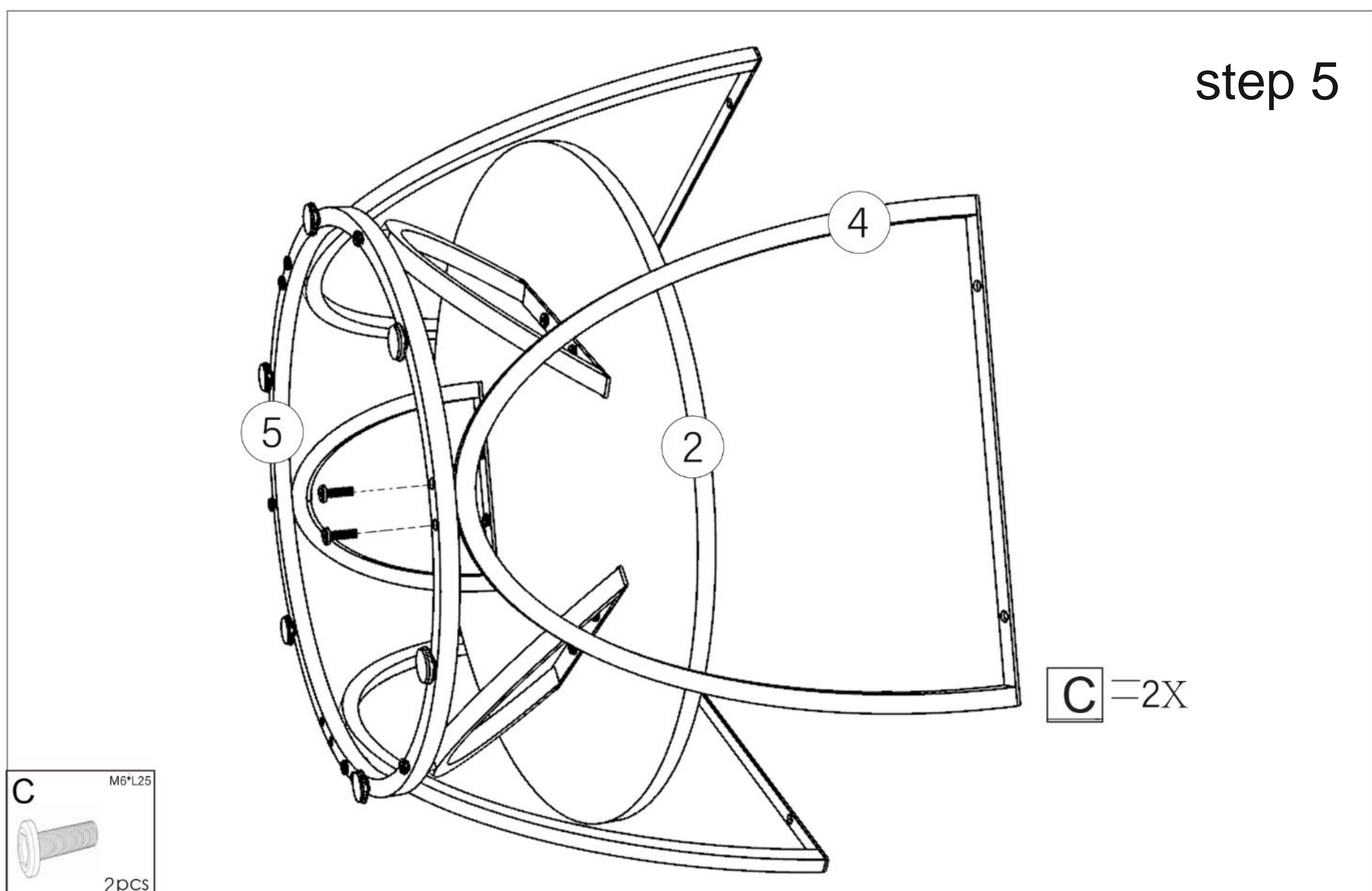
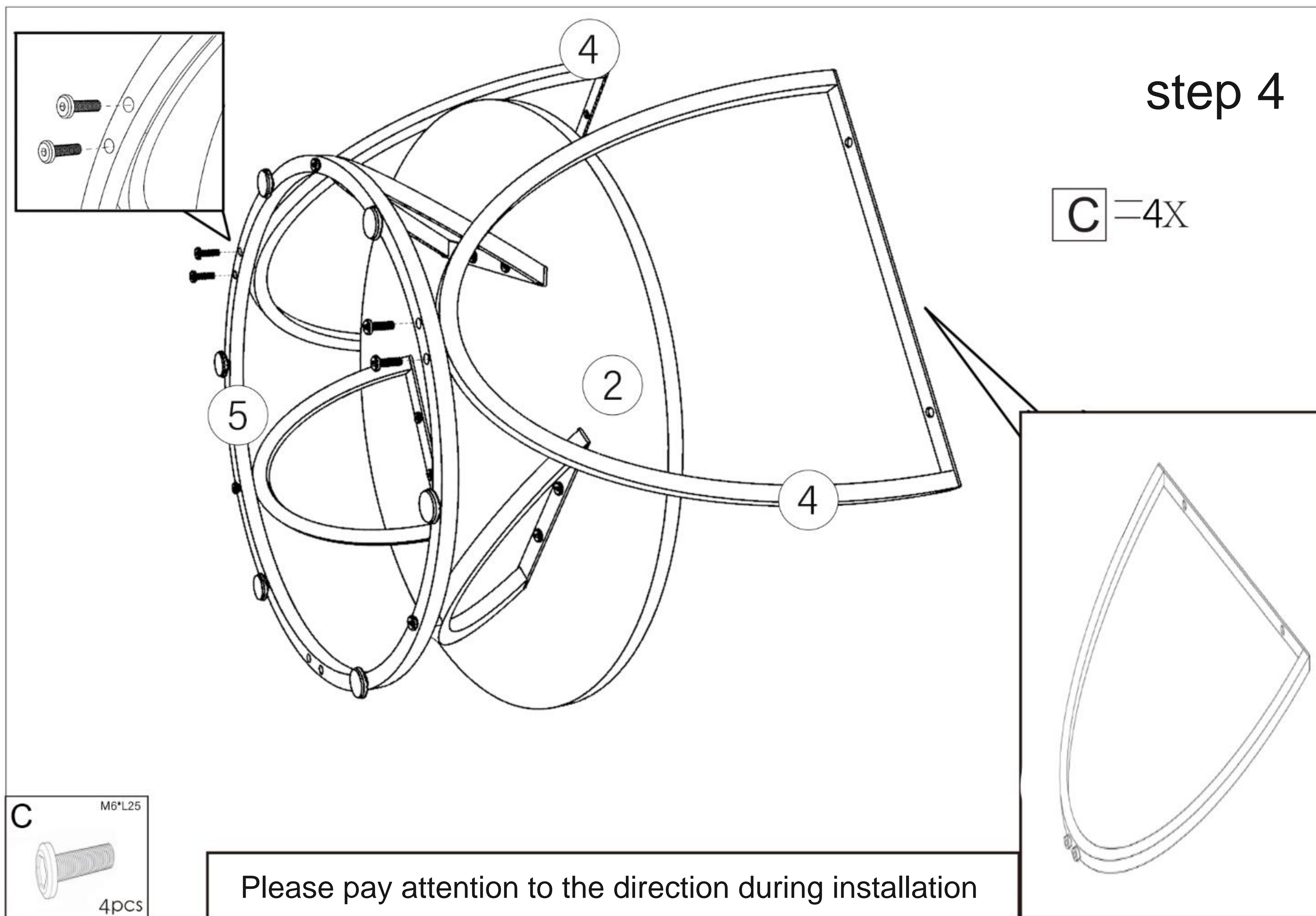
Do not tighten the screws first but tighten them to 40%

step 3

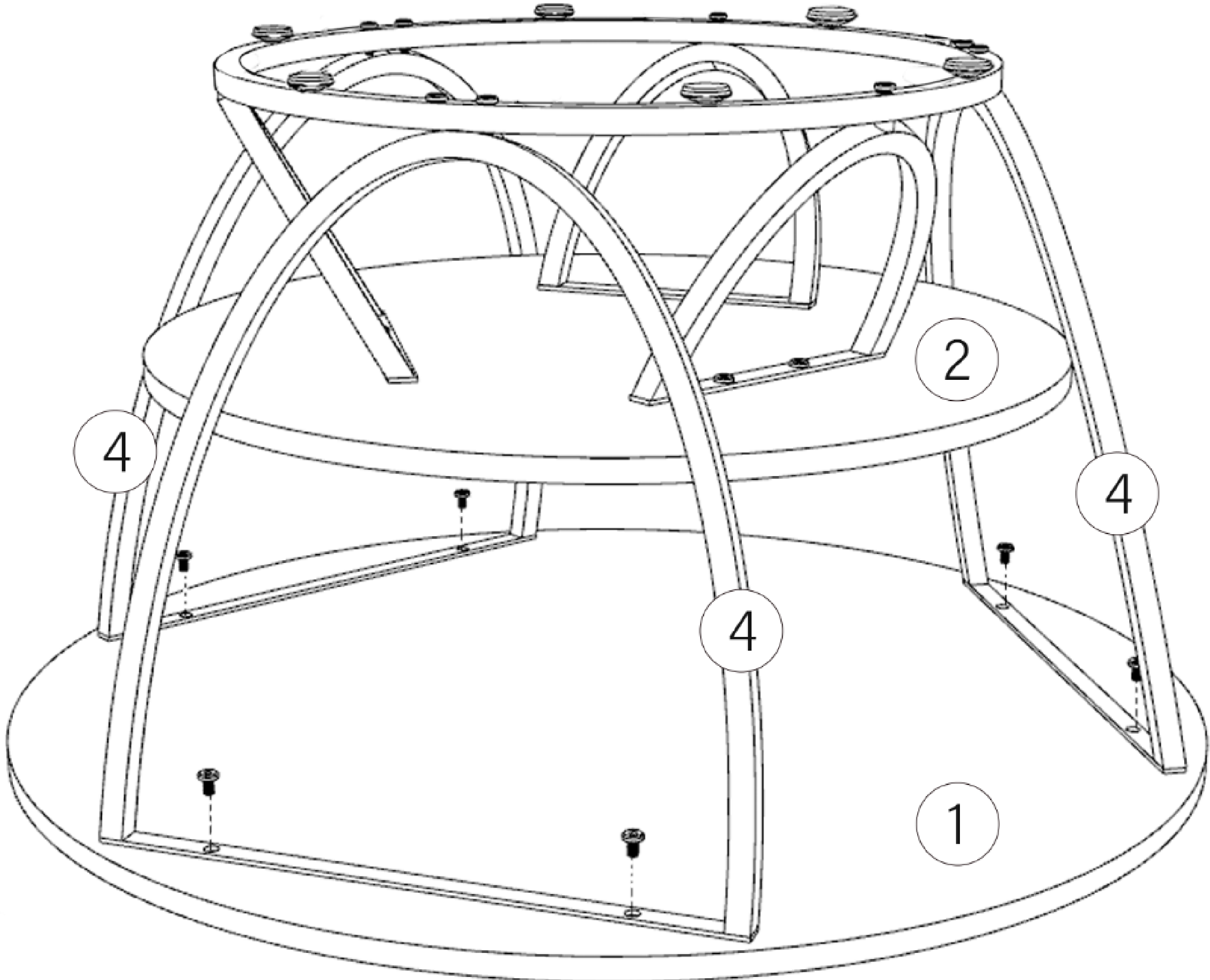


Tighten all screws to 100%

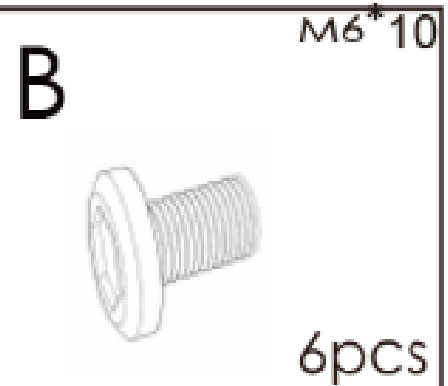
Before assembly , please put all part on a neat and clean sheet bottom cushion block cloth



step 6



**B** = 6X



### COMPLETED DRAWING

