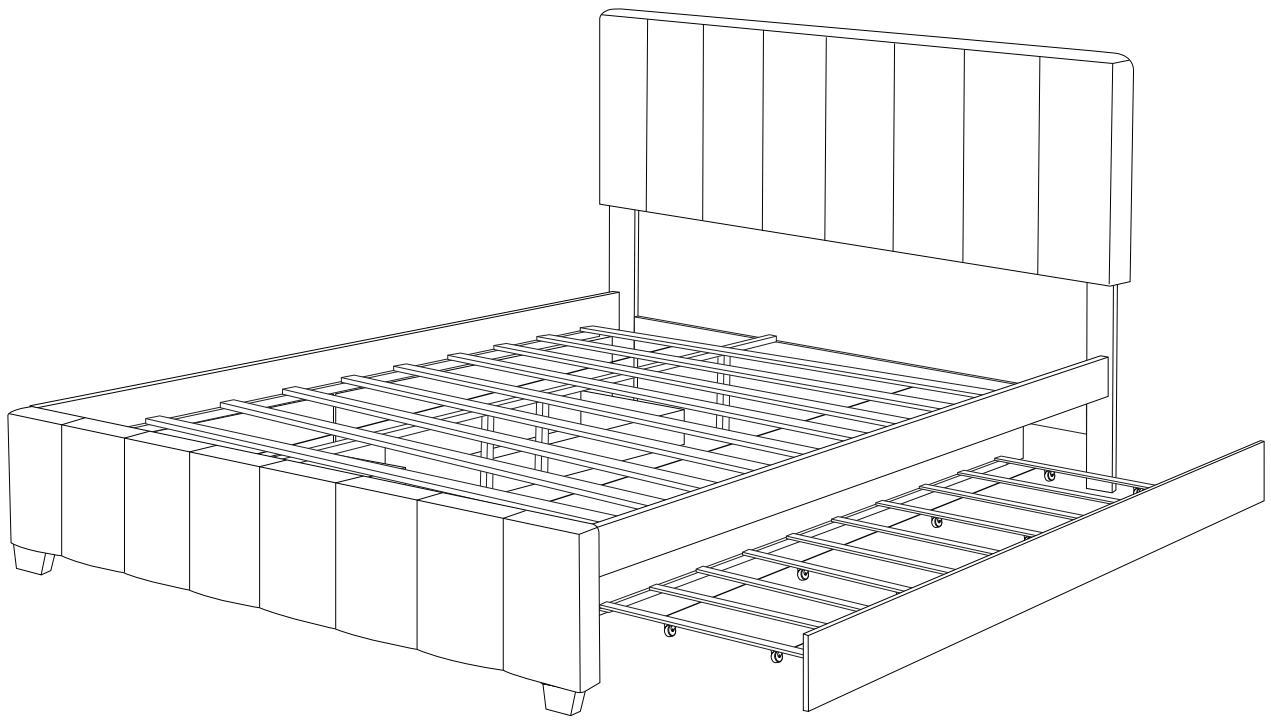
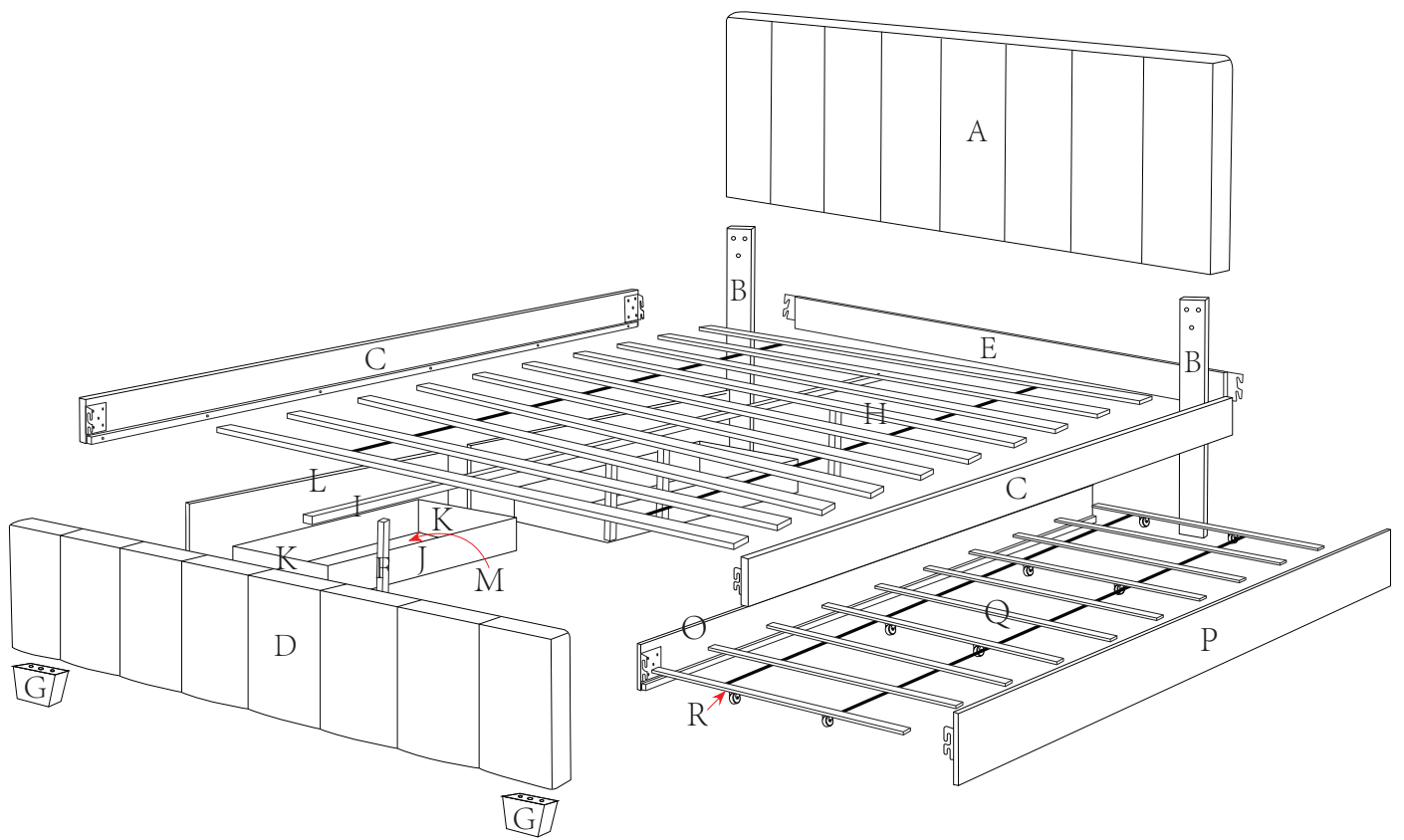
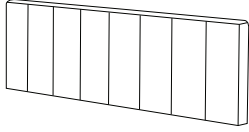
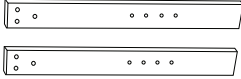
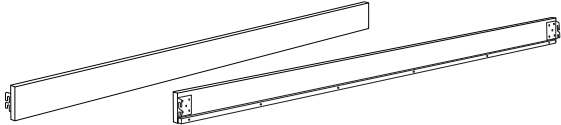
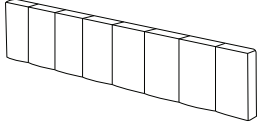

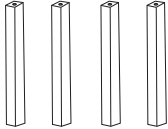
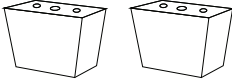
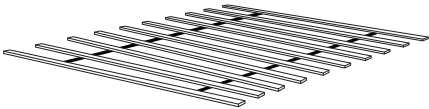
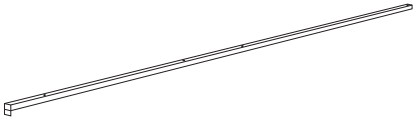


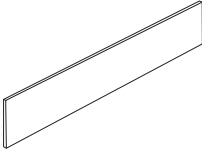
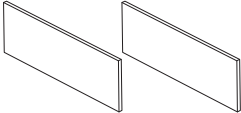
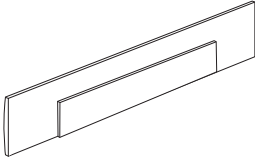
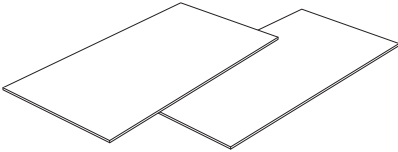
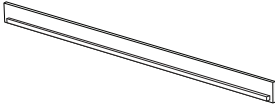
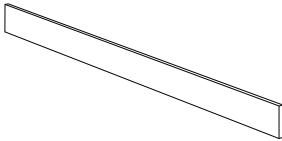
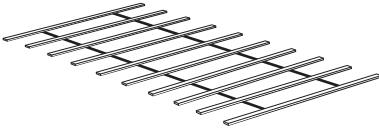
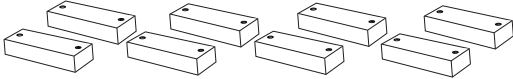
ASSEMBLY INSTRUCTION

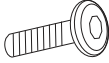

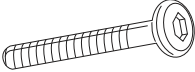
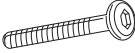

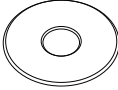

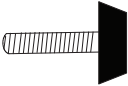

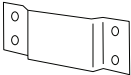
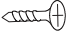
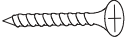
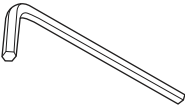


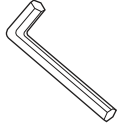



Detail View - TRUNDLE BED (QUEEN)



| NO | PART LIST | QTY |
|----|--|--------|
| A | Headboard  | 1 pc |
| B | Headboard Leg  | 2 pcs |
| C | Side Rail  | 2 pcs |
| D | Footboard  | 1 pc |
| E | Headboard Support Bar  | 1 pc |
| F | Center Support Leg  | 4 pcs |
| G | Bed Leg  | 2 pcs |
| H | Bed Slat Queen  | 10 pcs |
| I | Center Support Rail  | 1 pc |

| NO | PART LIST | QTY |
|----|--|--------|
| J | Drawer Back Panel  | 2 pcs |
| K | Drawer Side Panel  | 4 pcs |
| L | Drawer Front Panel  | 2 pcs |
| M | Drawer Bottom Panel  | 2 pcs |
| O | Trundle Long Panel (i)  | 1 pc |
| P | Trundle Long Panel (ii)  | 1 pc |
| Q | Trundle Bed Slat  | 10 pcs |
| R | Trundle Slat Cube  | 8 pcs |

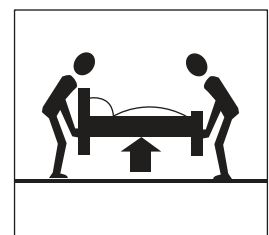
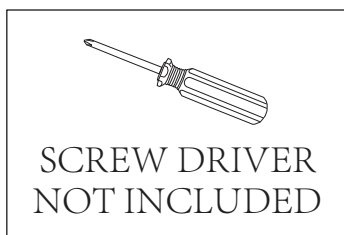
| NO | HARDWARE LIST | QTY |
|----|--|--------|
| 1 | JCBB M8 x 20mm  | 8 pcs |
| 2 | JCBC M6 x 70mm  | 2 pcs |
| 3 | JCBC M6 x 60mm  | 4 pcs |
| 4 | JCBC M6 x 45mm  | 7 pcs |
| 5 | JCBB M8 x 25mm  | 4 pcs |
| 6 | Flat Washer M6  | 7 pcs |
| 7 | Dowel M8  | 4 pcs |
| 8 | Adjuster M6  | 4 pcs |
| 9 | CSK M4 x 20mm  | 4 pcs |
| 10 | U-Bracket  | 1 pc |
| 11 | CSK M3.5 x 16mm  | 56 pcs |
| 12 | CSK M4 x 30mm  | 40 pcs |
| 13 | Allen Key M4(100mm)  | 1 pc |

| NO | HARDWARE LIST | QTY |
|----|---|--------|
| 14 | Allen Key M5(65mm)  | 1 pc |
| 15 | CSK M4 x 38mm  | 16 pcs |
| 16 | Wheel  | 16 pcs |
| 17 | CSK M4 x 32mm  | 16 pcs |

Read this instruction carefully. Remove all wrapping material, staples and straps from the carton. See hardware and furniture part list for guidance. Be sure you have all wooden furniture parts on a clean and flat surface, such as carpet or rug, to prevent from being scratched.

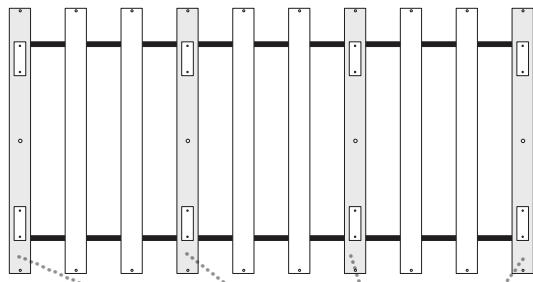
CAUTION :

1. Do not Full Tighten the nut or screw until all ready to assemble.
2. Do not Over Tighten the nut or screw to avoid causing damages to the thread.
3. Keep all hardware part out reach of children.

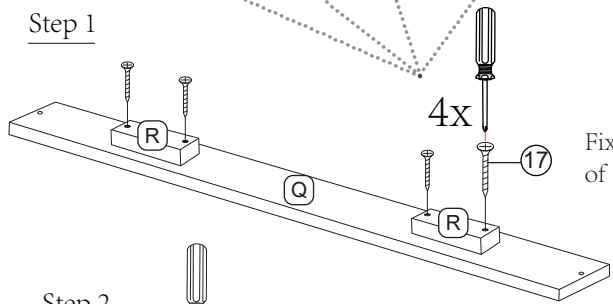


STEP 1 Trundle Bed x 1 pc

| | | | |
|--------|--------|-------|--------|
| 11 | 12 | 16 | 17 |
| | | | |
| 32 pcs | 20 pcs | 8 pcs | 16 pcs |

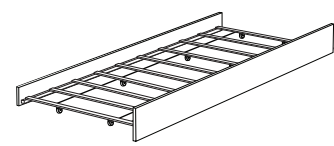


Step 1

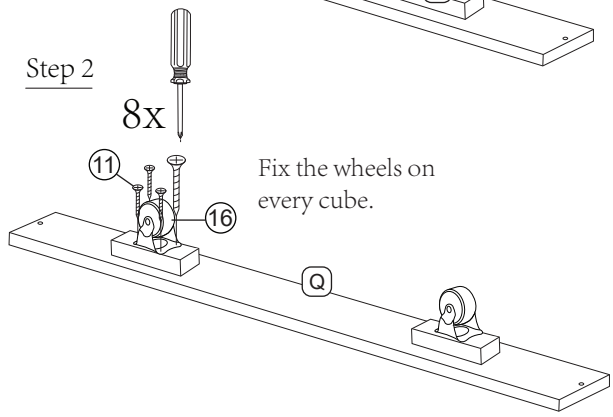


4x
Fix the cube at the bottom of 1st, 4th, 7th, and 10th slat.

COMPLETED ASSEMBLY

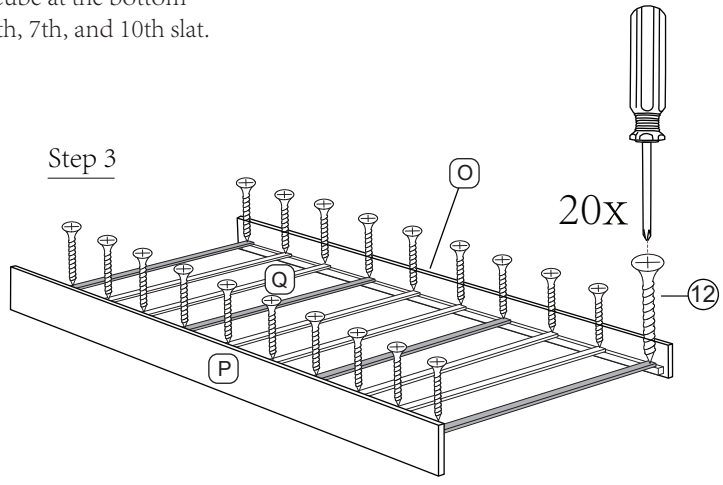


Step 2



8x
Fix the wheels on every cube.

Step 3

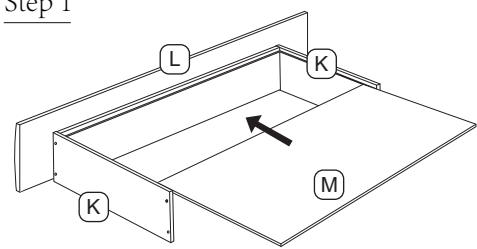


20x

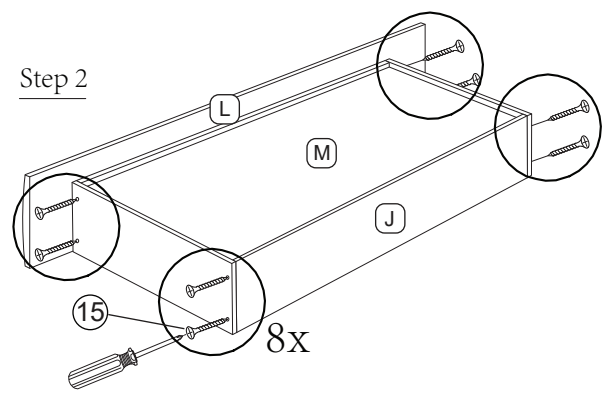
STEP 2 Drawer x 2 pcs

| | | |
|--------|--------|-------|
| 11 | 15 | 16 |
| | | |
| 24 pcs | 16 pcs | 8 pcs |

Step 1

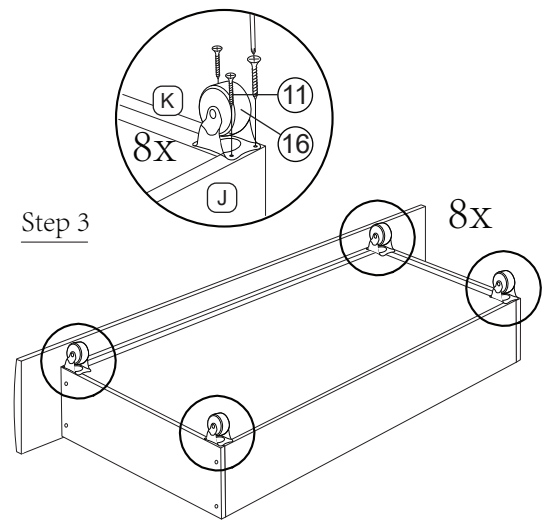


Step 2



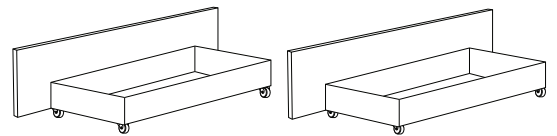
8x

Step 3


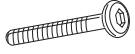




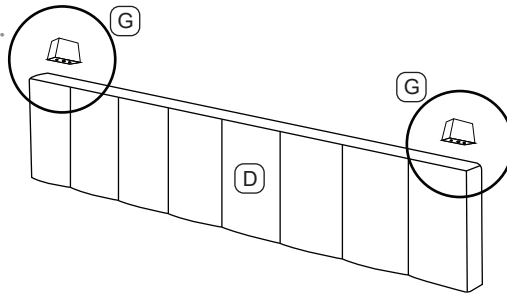
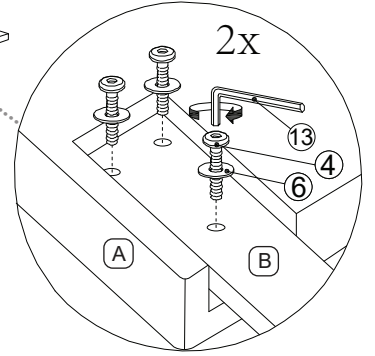
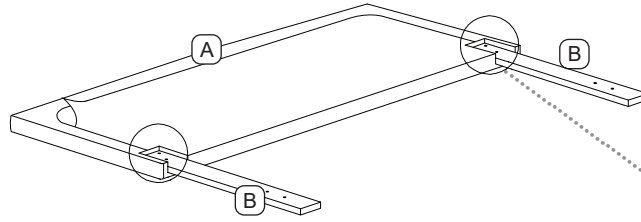
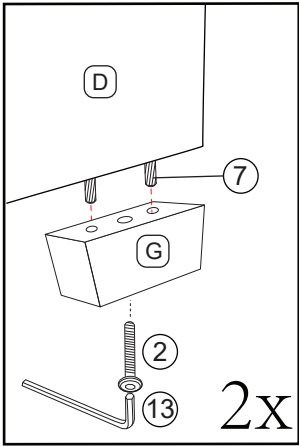
8x

COMPLETED ASSEMBLY

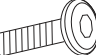


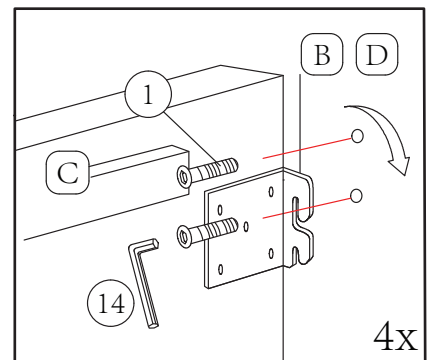
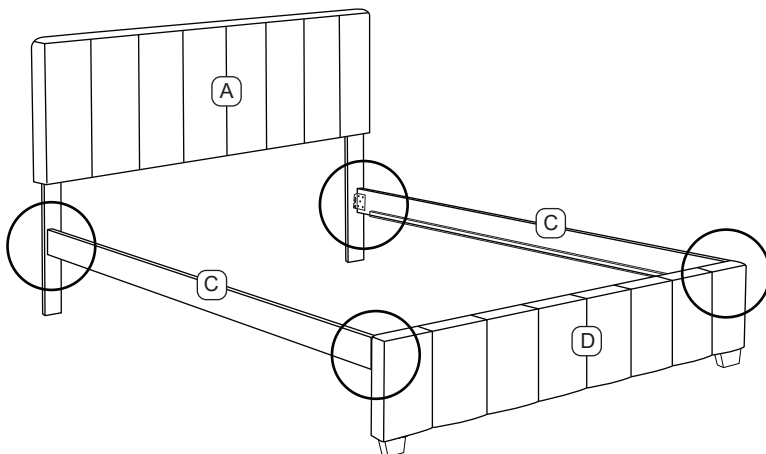
STEP 3

| | | | |
|---|--|--|--|
| 2 | 4 | 6 | 7 |
|  |  |  |  |
| 2 pcs | 6 pcs | 6 pcs | 4 pcs |



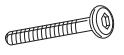
STEP 4

| |
|---|
| 1 |
|  |
| 8 pcs |

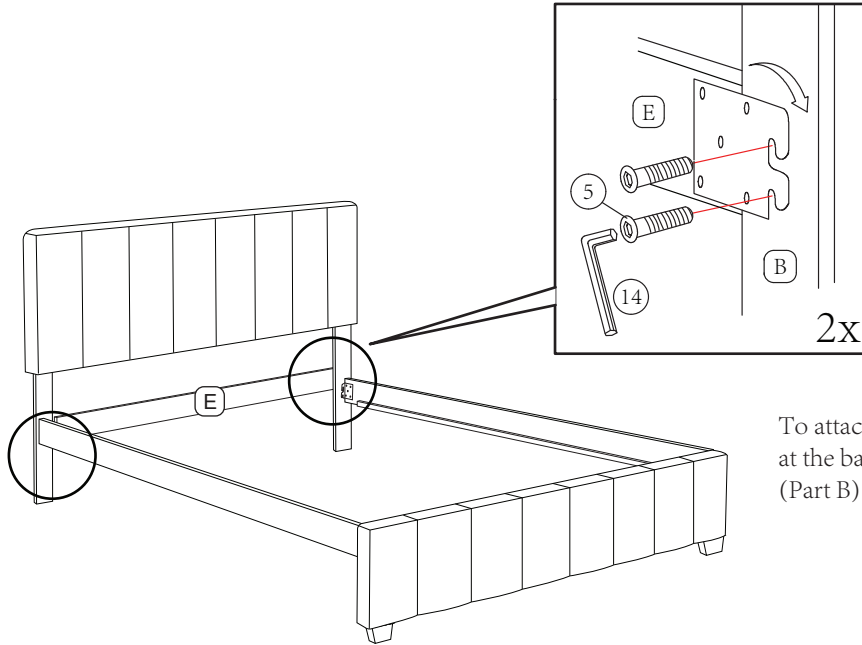


STEP 5

5



4 pcs



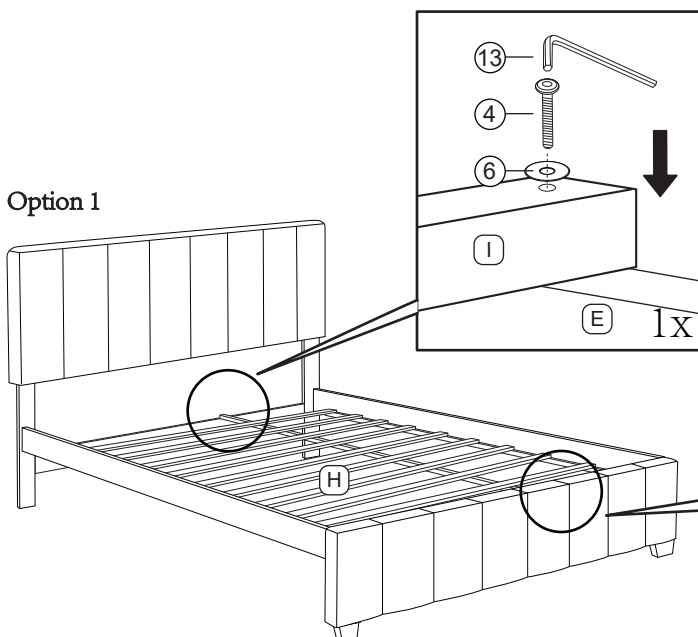
To attach the Headboard Support Bar at the backside to the Headboard Leg (Part B).

STEP 6

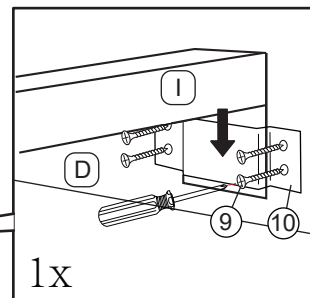
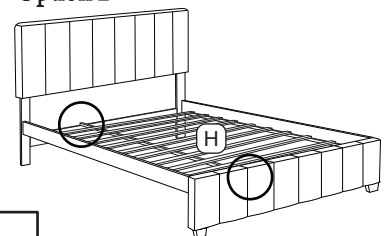
Decide the side for trundle bed & drawers

| | | | |
|-------------|-------------|--------------|-------------|
| <p>4</p> | <p>6</p> | <p>9</p> | <p>10</p> |
| <p>1 pc</p> | <p>1 pc</p> | <p>4 pcs</p> | <p>1 pc</p> |

Option 1

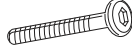




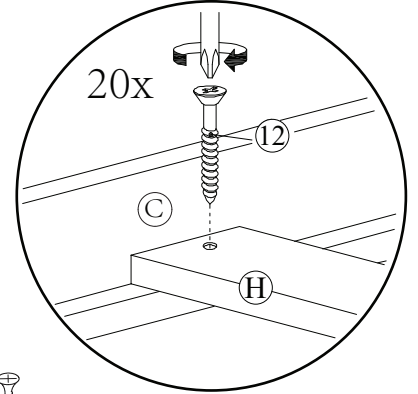
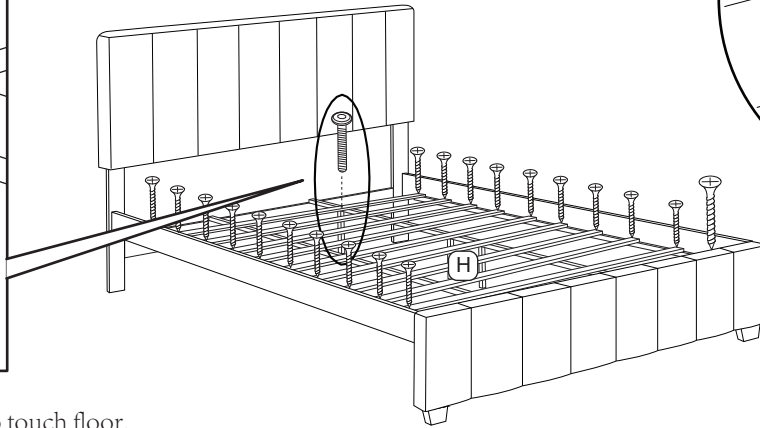
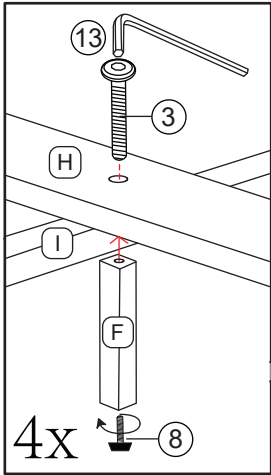
Option 2



Follow the marking to attach the U-Bracket with Screw 20mm (4PCS) at Footboard.

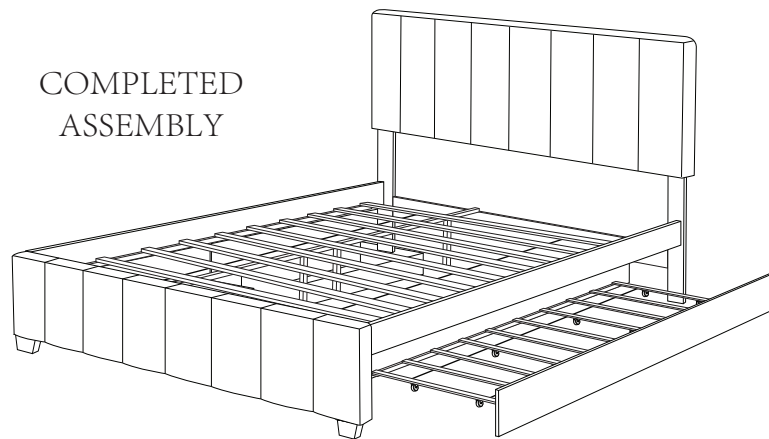
STEP 7

| | | |
|--|--|--|
| 3 | 8 | 12 |
|  |  |  |
| 4 pcs | 4 pcs | 20 pcs |



Adjust slat leveling feet to touch floor.

Lastly, place the trundle bed & drawers inside.



 Box Spring Recommended