

Features

- Acrylic
- Under-mount installation.
- Reversible drain and slotted overflow for maximum bathing depth.
- Two raised corner seats, at 6-3/4" (171 mm) and 11-7/8" (302 mm) from bath floor.
- Blower motor with 300 W heater and electronic user and back-lit user control.
- 122 BubbleMassage™ airjets and eight Flexjet® whirlpool jets.
- With Zones of Control™ feature.
- Variable speed pump with 1.5 kW heater and back-lit user control.
- Molded lumbar support for comfort.
- Extra deep 27-1/2" (699 mm) soaking depth.
- Less all trim.
- 48" (1219 mm) x 48" (1219 mm) x 34" (864 mm)

Required Accessories

- K-578 Under-mount kit
- K-9698 Flexjet® Whirlpool Trim Kit



For complete listing of available colors, go to kohler.com.

Codes/Standards

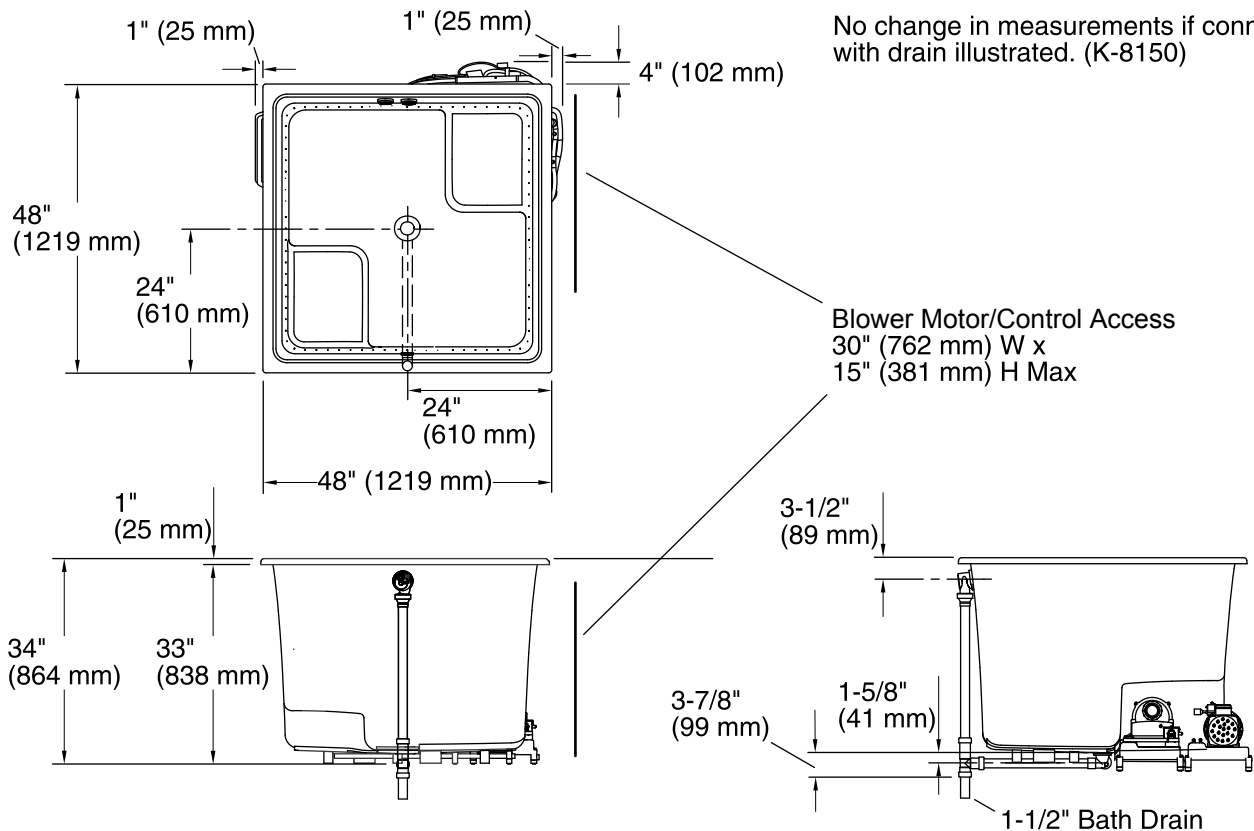
ASME A112.19.7/CSA B45.10
ASTM E162
ASTM E662
UL 1795
CSA 22.2 No. 218.2
CSA B45.5/IAPMO Z124

Kohler One-Year Limited Warranty

See website for detailed warranty information.

Product Specification

Bath shall be 48" (1219 mm) in length, 48" (1219 mm) in width, and 34" (864 mm) in height. Bath shall be made of acrylic. Bath shall have 122 BubbleMassage™ airjets, Zones of Control™ feature, and molded lumbar support for comfort. Bath shall have blower motor with 300 W heater, electronic user control, and remote control, and variable speed pump with 1.5 kW heater and back-lit user control. Bath shall feature extra deep 27-1/2" (699 mm) soaking depth, two raised corner seats at 6-3/4" (171 mm) and 11-7/8" (302 mm), reversible drain, and slotted overflow for maximum bathing depth. Bath shall be for under-mount installation. Bath shall be less all trim. Bath shall be Kohler Model K-1969-XH2G.



Technical Information

All measurements are approximate only.

Installation:	Undermount
Basin area, bottom:	39-3/8" x 39-3/8" (1000 mm x 1000 mm)
Basin area, top:	44-5/8" x 44-5/8" (1133 mm x 1133 mm)
Weight:	218 lbs (98.9 kg)
Water depth:	27-1/2" (699 mm)
Water capacity:	171 gal (647.3 L)
Electrical rating:	Blower: 220-240 V, 5 A, 50/60 Hz Pump: 220-240 V, 11 A, 50/60 Hz Heater: 220-240 V, 50/60 Hz, 1500 W
Minimum floor load:	102.3 lbs/ft ² (499.5 kg/m ²)

Required Electrical Service

Dedicated circuit required, protected with Class A Ground-Fault Circuit-Interruptor (GFCI) or Residual Current Device (RCD).

Blower, Pump, 220-240 V, 20 A, 50/60 Hz, dedicated
Heater:

Installation Notes

Measure your actual product for roughing-in details.

IMPORTANT! This product is intended for under-mount installation only.

IMPORTANT! Install this product according to the installation guide. There are 1" (25 mm) or 4" (102 mm) protrusions beyond the rim of the bath on three sides of this unit. Modify the framing as needed.

IMPORTANT! Dry fit the drain assembly prior to installing the bath. The bath cannot be installed with all drain components attached.

Hot water supply should be 70% of capacity or greater. Installations will vary.