
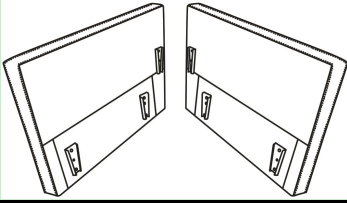

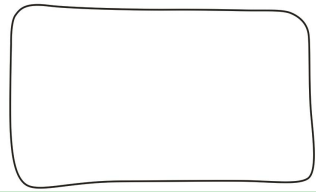
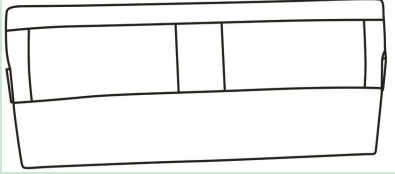
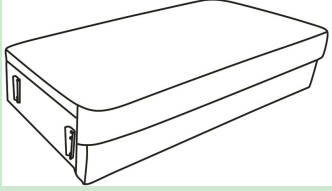
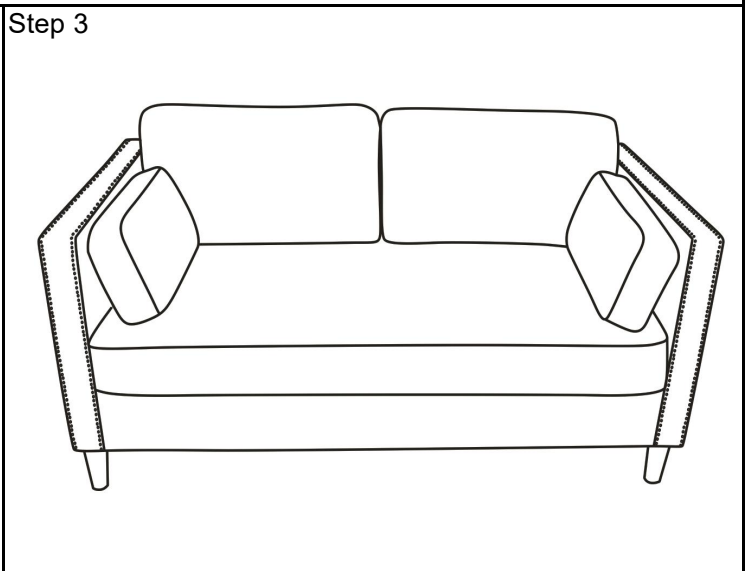
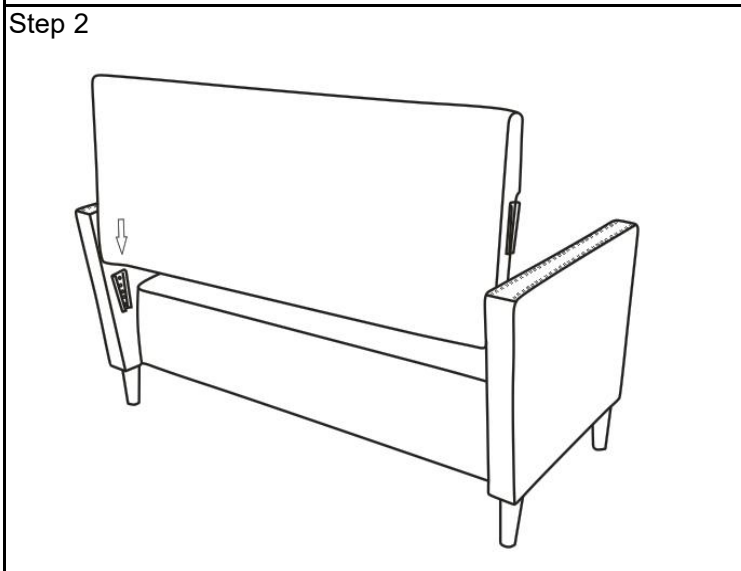
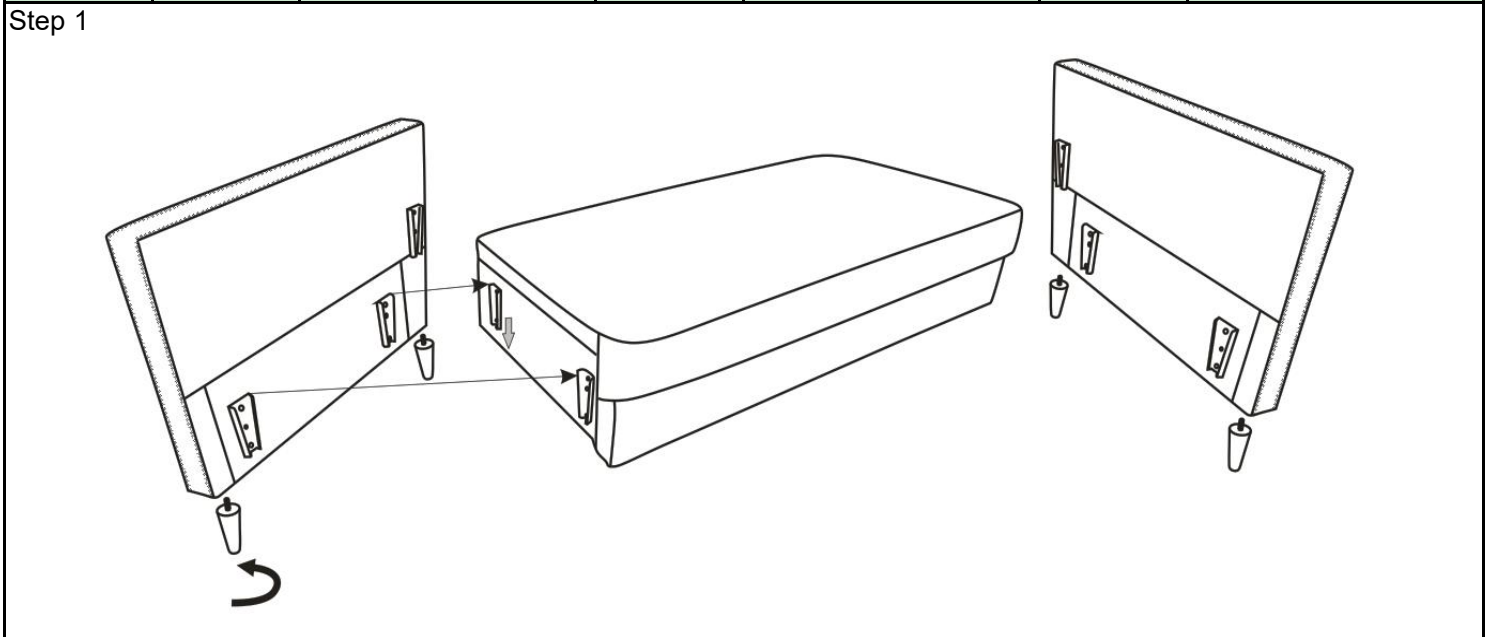


# ASSEMBLY INSTRUCTIONS

## PARTS LIST

Item						
Qty	A	4 PCS	B	2 PCS	C	2 PCS
Item						
Qty	D	2 PC	E	1 PC	F	1 PC



## PREVENTIVE MAINTENANCE AND WARNING!

\* EVERY 6 MONTHS, PLEASE MAKE SURE ALL BOLTS, SCREWS AND KNOBS ARE FULLY TIGHTENED TO ENSURE STABILITY.