

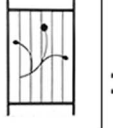


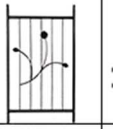

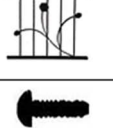
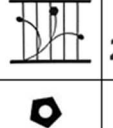





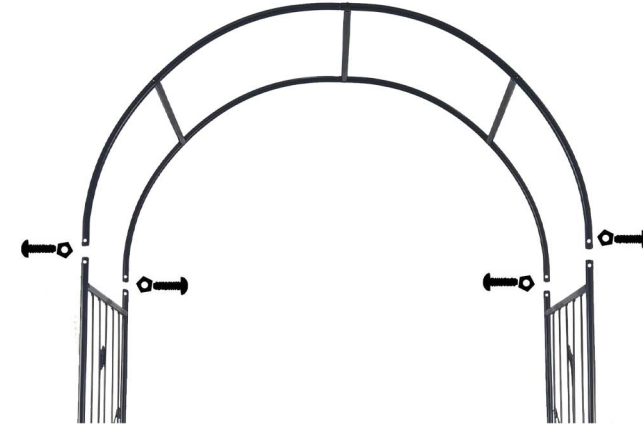
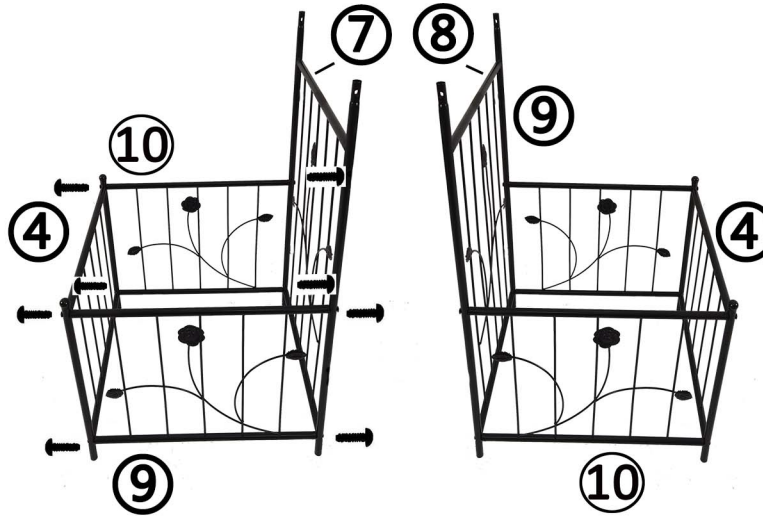
INSTRUCTION

Please note that the leaves decos are facing outwards !

Step 5. Connect the top and the side parts.

Step 2. Assemble the flower stands..

	① 2 pcs		⑤ 1 pc		⑥ 1 pc
	② 2 pcs		⑦ 1 pc		⑧ 1 pc
	③ 3 pcs		⑨ 2 pcs		⑩ 2 pcs
	④ 2 pcs		30 pcs		8 pcs



Step 1. Assemble the top.

Step 3. Assemble the side parts.

OK. The Arch is finished.

