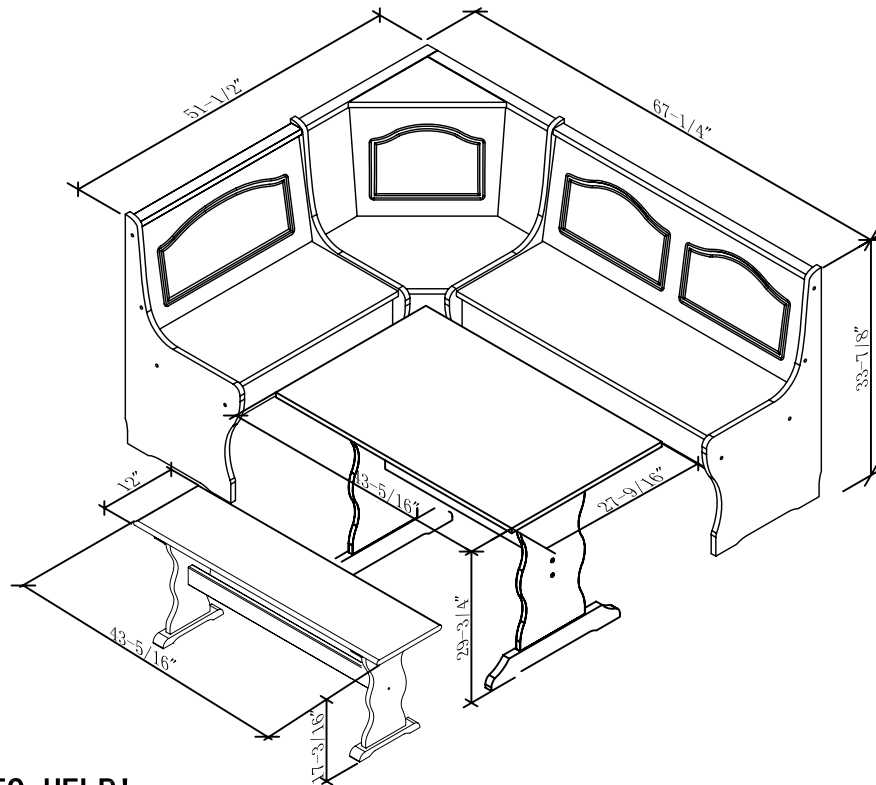

ASSEMBLY INSTRUCTION

NOOK BENCH






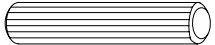
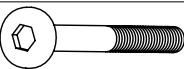


WE ARE HERE TO HELP!

WE DO OUR BEST TO INSURE THAT YOUR FURNITURE ARRIVES IN EXCELLENT
CONDITION.

HARDWARE PACKAGE COUNT (SIMPLE BENCH)

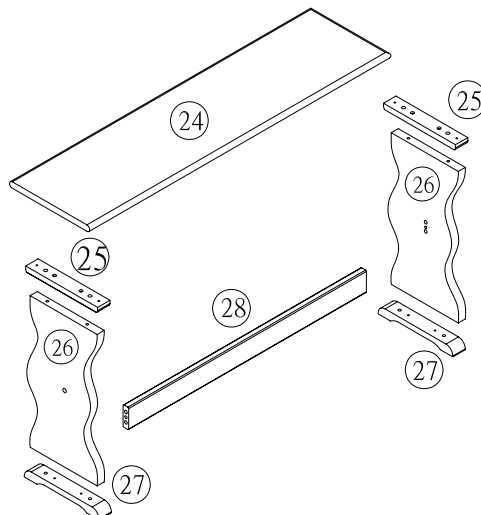
OPEN HARDWARE PACKAGE ON A FLAT SURFACE COVERED WITH NEWSPAPER. COUNT EACH PIECE OF HARDWARE TO MATCH THE QUANTITY NUMBER IN THE HARDWARE IDENTIFICATION COLUMN. CALL CUSTOMER SERVICE IF ANY PARTS ARE MISSING . FOLLOW THE LETTER IDENTIFICATION WHEN READING THE ASSEMBLY DRAWING "D" THROUGH "J"

HARDWARE IDENTIFICATION

D		SCREW 1"LONG 5X25mm	4
E		SCREW 2"LONG 5X50mm	8
F		WOOD HOLE COVER	2
G		WOOD DOWEL 2"LONG 10X50mm	12
H		SCREW 1-3/4"LONG 6X45mm	2
I		NUT	2
J		ALLEN WRENCH	1

PARTS IDENTIFICATION

- 24- SEAT
- 25- SEAT TOP SUPPORT (X2)
- 26- LEGS (X2)
- 27- SEAT BASE (X2)
- 28- CROSSBAR



STEP 1)

- 1.1 INSERT (12) WOODEN DOWELS (G) INTO HOLES LOCATED AT UPPER END OF LEGS #26 AND CORSSBAR #28 AS SHOWN IN FIGURE 12.

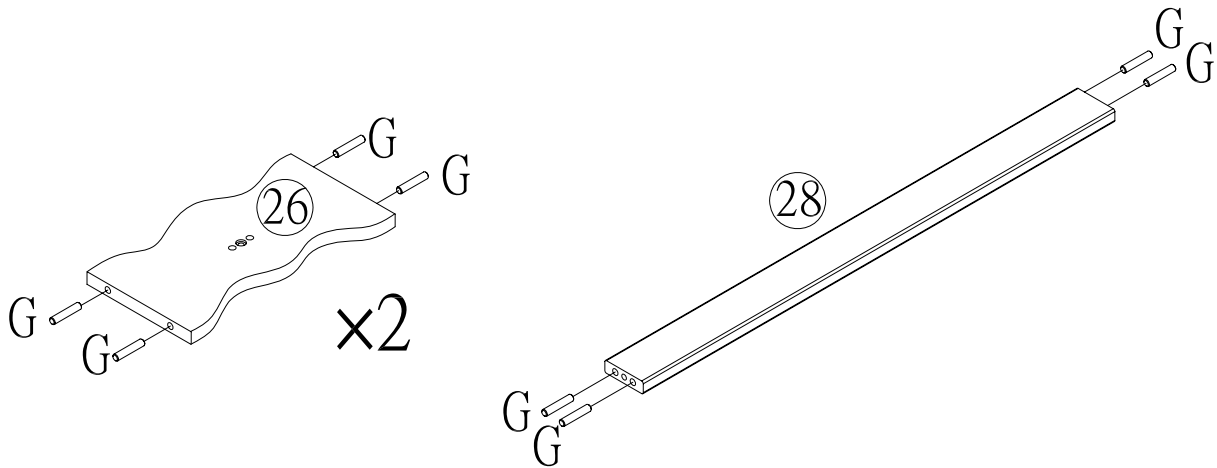


FIGURE 1

STEP 2)

- 1) ATTACH SEAT BASE #27 TO LEG #26 THROUGH FITTING DOWELS LOCATED AT LOWER END OF LEG #26 INTO HOLES LOCATED ON UPPER EDGE OF BASE #27 USING PRE-DRILLED HOLES AS GUIDE, SECURE CONNECTION WITH (02) SCREWS (E). DRIVEN WITH ALLEN WRENCH (J) AS SHOWN IN FIGURE 2. REPEAT PROCEDURE FOR SECOND LEG #26.
- 2) ATTACH TABLE TOP SUPPORT #25 TO LEG #26 FITTING THE DOWELS LOCATED ON UPPER END OF LEG #26 INTO HOLES LOCATED ON SUPPORT #25. USING PRE-DRILLED HOLES AS GUIDE, SECURE CONNECTION WITH (02) SCREWS (E) DRIVEN WITH ALLEN WRENCH (J) AS SHOWN IN FIGURE 2. REPEAT PROCEDURE FOR SECOND TOP SUPPORT #25.

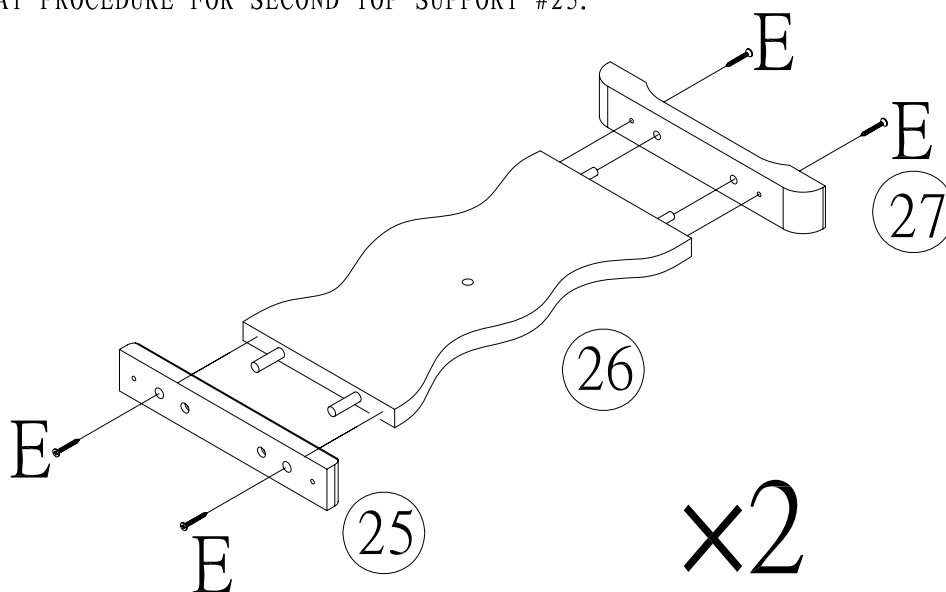


FIGURE 2

STEP 3)

- 1) ATTACH CROSSBAR #28 TO LEGS #26 INSERTING WOOD DOWELS LOCATED AT ENDS OF CROSSBAR INTO HOLES LOCATED ON LEGS. SECURE CONNECTION USING (02) SCREWS(H) AND (02) NUTS(I). AS SHOWN IN FIGURE 3.
- 2) INSERT (02) WOOD HOLE COVERS(F) INTO HOLES LOCATED AT LEGS #26 AS SHOWN IN FIGURE 3.

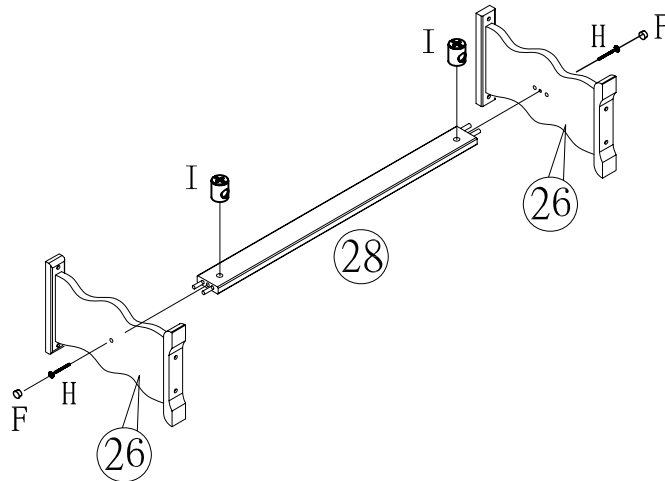


FIGURE 3

STEP 4)

- 1) ATTACH ASSEMBLED LEGS TO SEAT #24 THROUGH FITTING WOOD DOWELS PRESENT IN UPPER SIDE OF SEAT TOP SUPPORTS #25 INTO HOLES LOCATED UNDERNEATH OF SEAT #24 AS SHOWN IN FIGURE 4. IT SERVES AS GUIDE ENABLING YOU TO CONNECT THE LEGS IN CORRECT POSITION.
- 2) USING PRE-DRILLED HOLES AS GUIDE, SECURE CONNECTION WITH (04) SCREWS(D) DRIVEN WITH SCREWDRIVER AS SHOWN IN FIGURE 4.
- 3) USING HELP, GENTLY FLIP SEAT WITH BOTH LEGS ON FLOOR AS SHOWN ON PAGE 1. HOLD ON ALLEN WRENCH(J) AND PREIODICALLY CHECK ALL CONNECTIONS FOR TIGHTNESS.

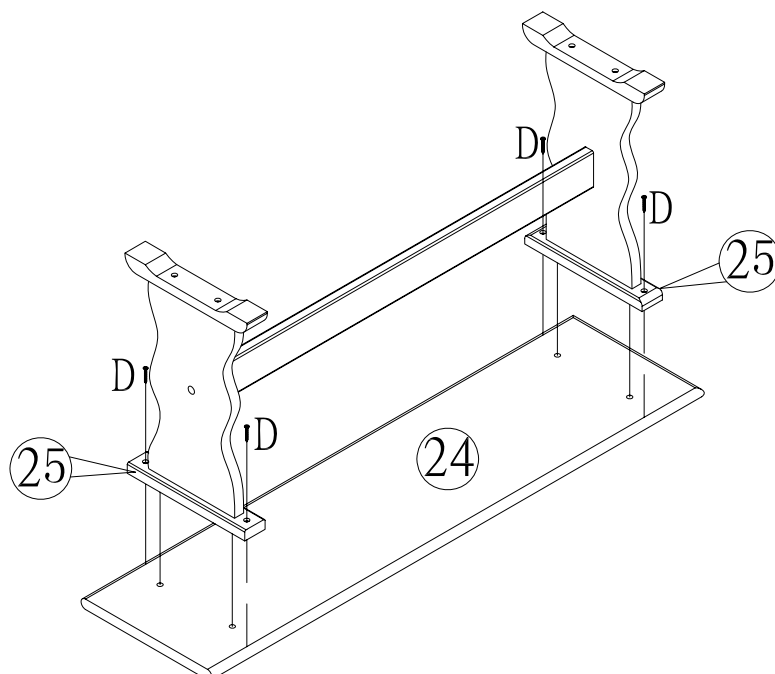


FIGURE 4

WARRANTY