

---

**NOTE:**

This brochure contains **IMPORTANT** safety info. Please read and keep for future reference.

---

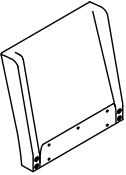
# MAINTAINANCE AND WARNING

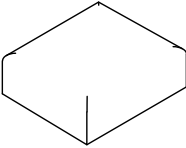
- 1.Keep furniture away from heat sources.
- 2.Do not clean furniture with harsh cleaner or polishes.Do not use detergents,solvents,abrasives,spray packs or leather cleaner. Use non-color mild soa with warm water to clean spills(Mix 1:10 soap to water).
- 3.Do not place furniture under direct sunlight,material will possibly fade over time.
- 4.Do not use on site dry cleaning machine.Children should not climb or jump on the furniture.
- 5.Do not write on furniture that is not protectedby a padded barrier.
- 6.Not for commercial use,only for residential use.




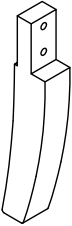
Weight Limitation  
**250 LBS**

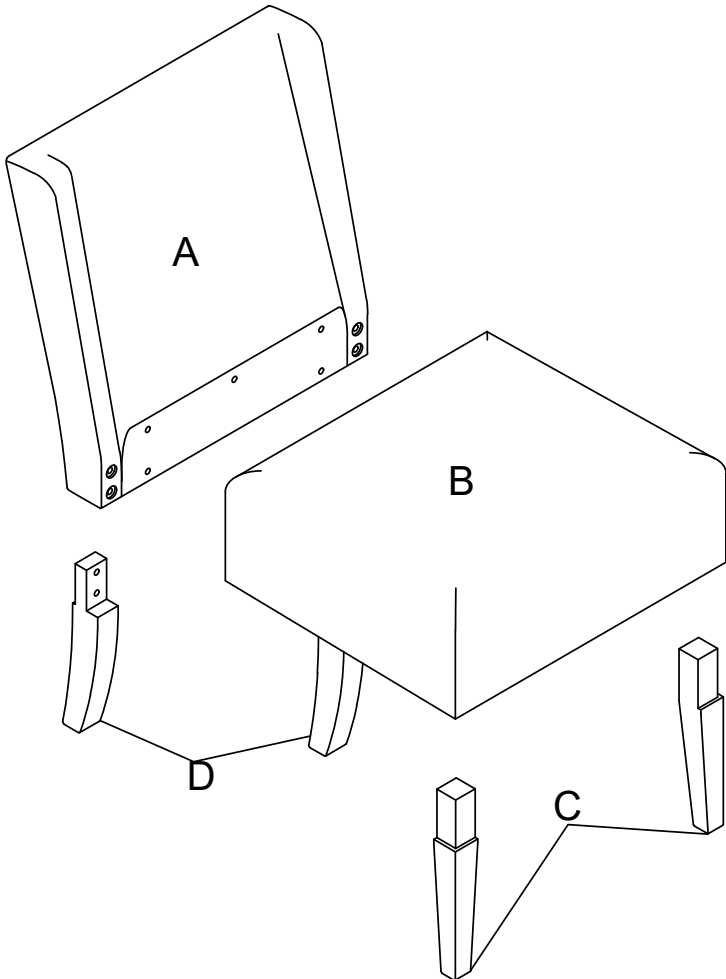
# PARTS LIST

A	x 1
	
Back Frame Cushion	

B	x 1
	
Seat Frame Cushion	

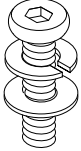
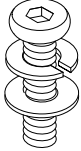
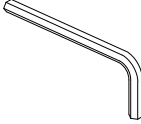
C	x 2
	
Front Legs	

D	x 2
	
Back Legs	

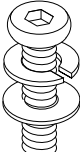



1 PERSON


# HARDWARE LIST

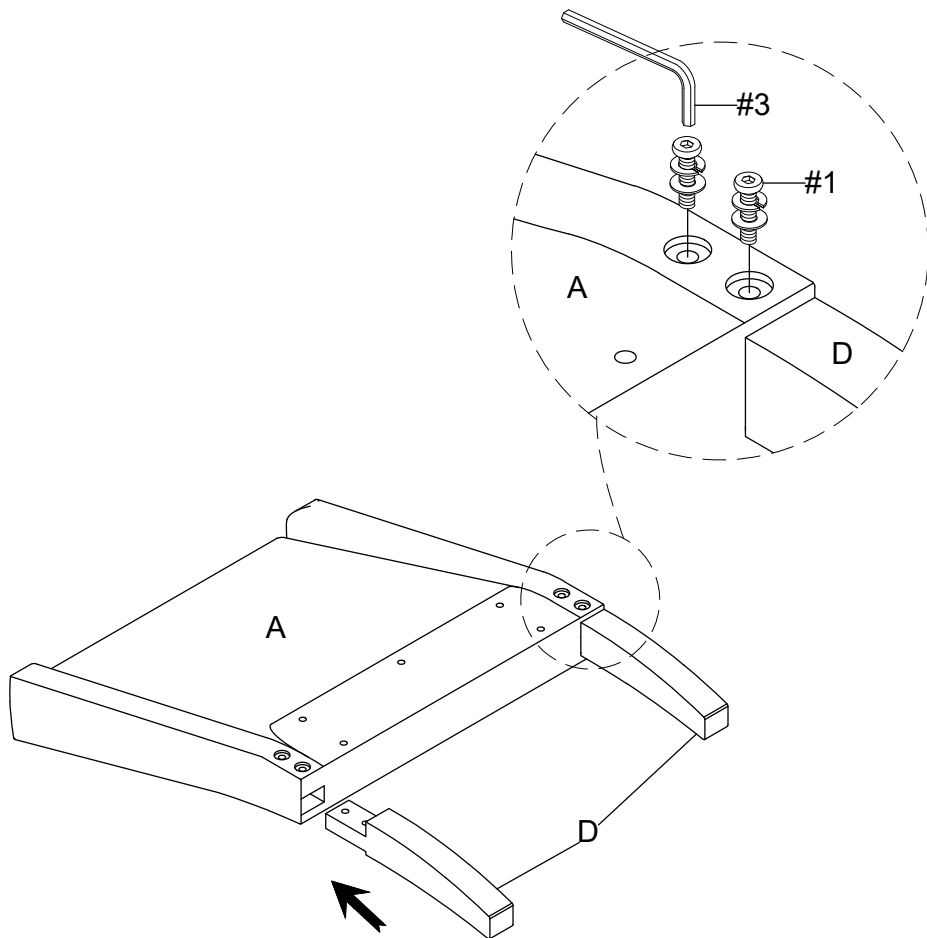
#1	x 4	#2	x 9	#3	x 1
					
Bolts		Bolts		Allen Key	
Ø5/16x45mm		Ø5/16x60mm			

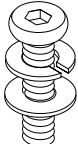
# HARDWARE SPARE LIST

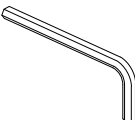
#1	x 1	#2	x 1
			
Bolts		Bolts	
Ø5/16x45mm		Ø5/16x60mm	

# ASSEMBLY INSTRUCTIONS

## STEP-1

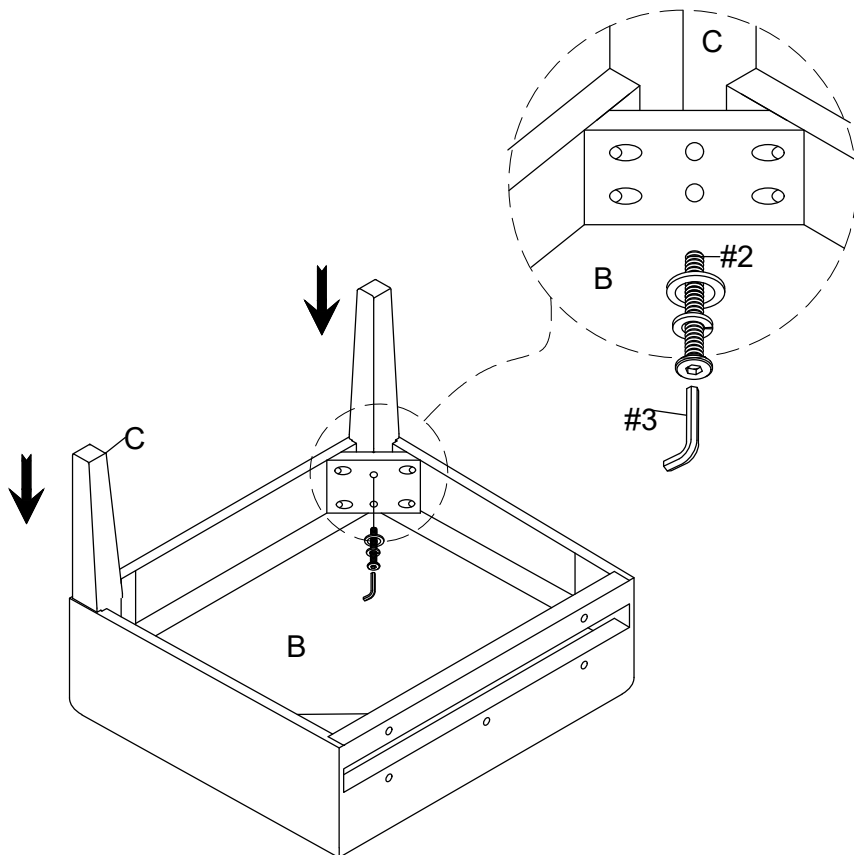


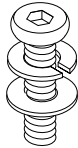
#1	x 4
	
Bolts	
Ø5/16x45mm	

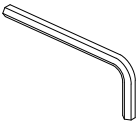
#3	x 1
	
Allen Key	

# ASSEMBLY INSTRUCTIONS

## STEP-2

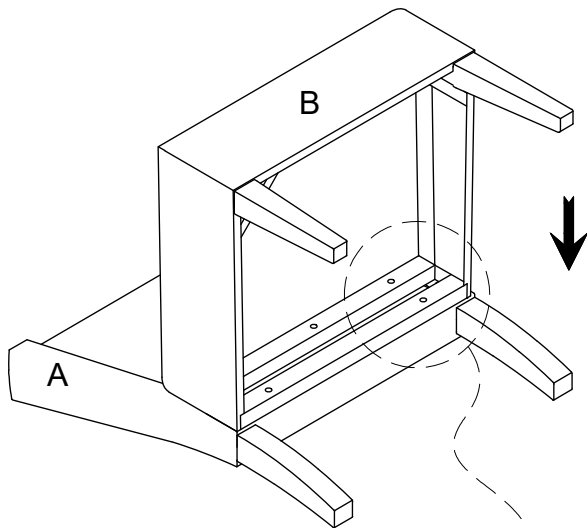


#2	x 4
	
Bolts	
Ø5/16x60mm	

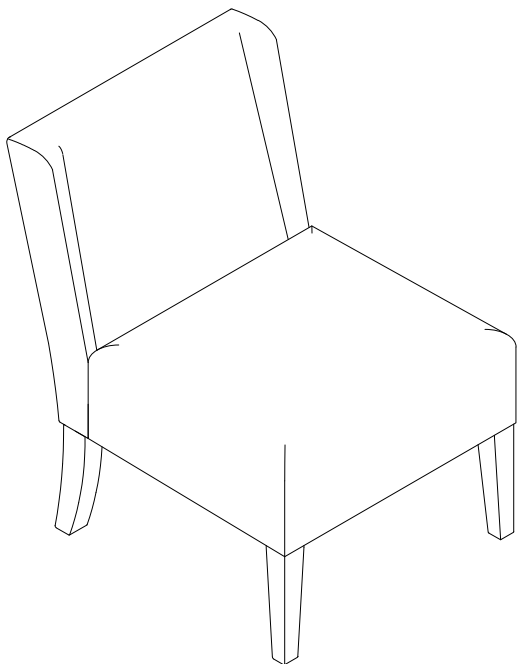
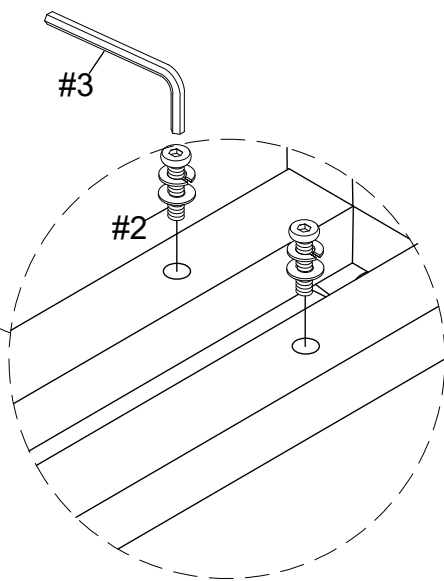
#3	x 1
	
Allen Key	

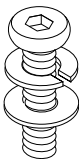
# ASSEMBLY INSTRUCTIONS

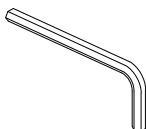
## STEP-3



  
After installation, please keep the chair balanced, tighten all bolts.



#2	x 5
	
Bolts	
Ø5/16x60mm	

#3	x 1
	
Allen Key	

# WARRANTY

1. We strive to offer high-quality products, and we also try our best to satisfy each and every customer that orders from us with product or service as needed.
2. We provide 30 days warranty starting from the time you receive the item. Each customer must provide a record of their order such as the order number, or item receipt for any items that are out of the warranty period you may also still receive.
3. Replacement parts by purchasing them with our company if they are available.