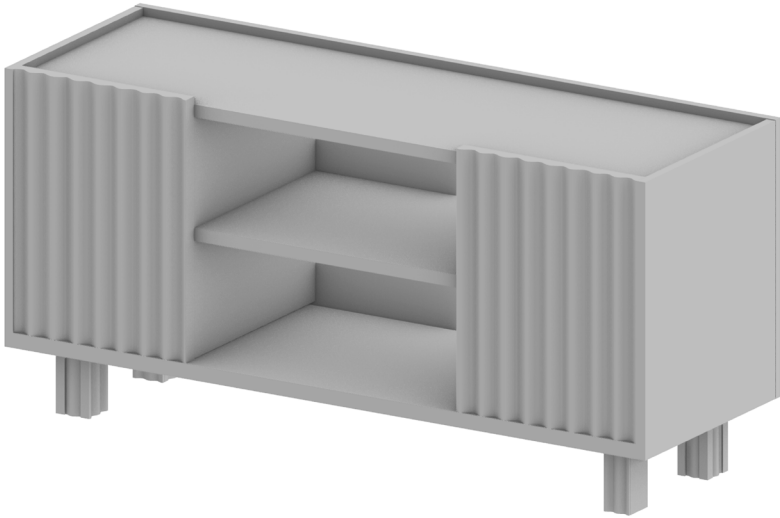


# Installation & Assembly



15 : 00

---

estimated assembly



1 or more

---

people required

Ok, let's  
get started!



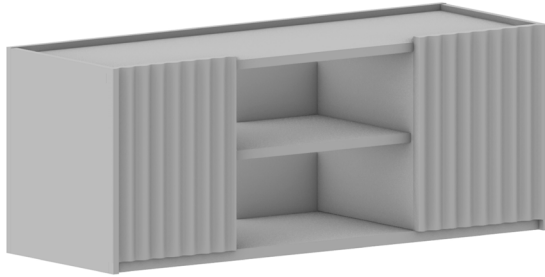
- Put on mood music!
- To prevent damage to product, use the clean side of package carton or rug as working surface.
- In the event of missing or damaged parts, delivery problems etc., please reach out to our team.  
We will be happy to fix the problem!

# care guide

- Clean regularly with a soft and dry cloth.
- To protect finish, avoid use of abrasive cleaners.
- Wipe up spills immediately. Please!



# product parts



(A)  
Cabinet  
x1



(B)  
Legs  
x4



(C)  
Shelves  
x2

# what's included



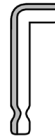
(D)- Bolt  
(6 x 15mm)  
x16



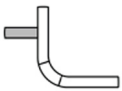
(E)- Plain Washer  
(8 x 16mm)  
x16



(F)- Lock Washer  
(8.5mm)  
x16



(G)- Allen Key  
x1



(H)- Shelves Hook  
x8

## assembly instructions

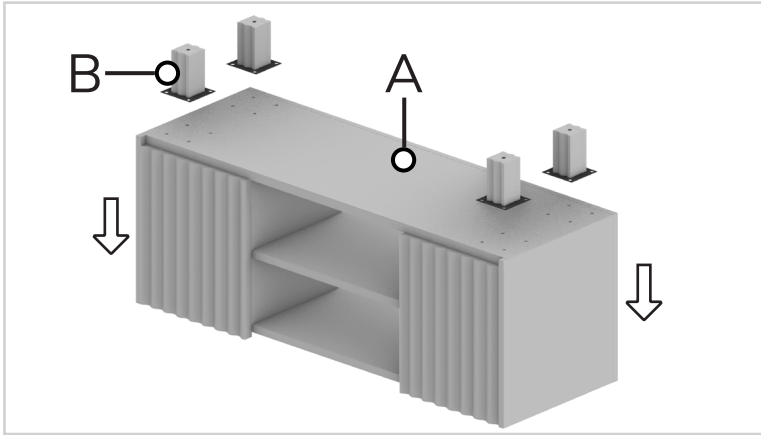
Friendly Tip: Take a deep breath going in. This may be a tricky part, but nothing too overwhelming. Just follow these steps to the T and the outcome will be worth it!



- ⓘ While assembling the product, tighten the bolts up to 50%. Once all parts are in place, only then fully tighten the bolts.

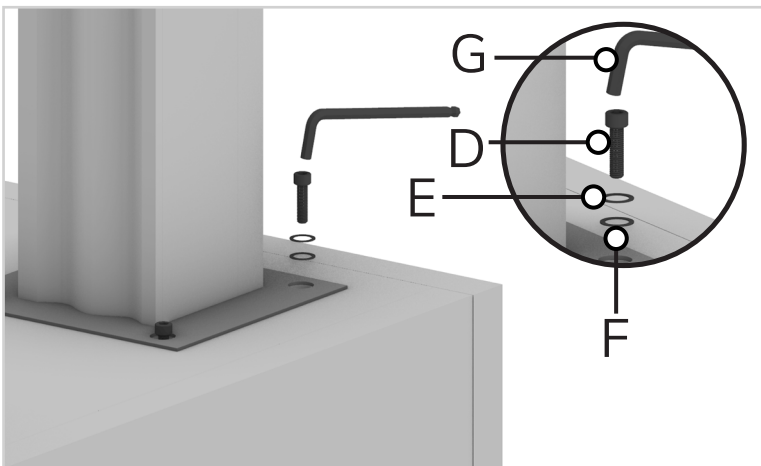
## step 1:

Start by placing the cabinet (A) upside down on a flat surface. Then align the slots on the leg (B) with holes on the cabinet (A). See this image for reference.



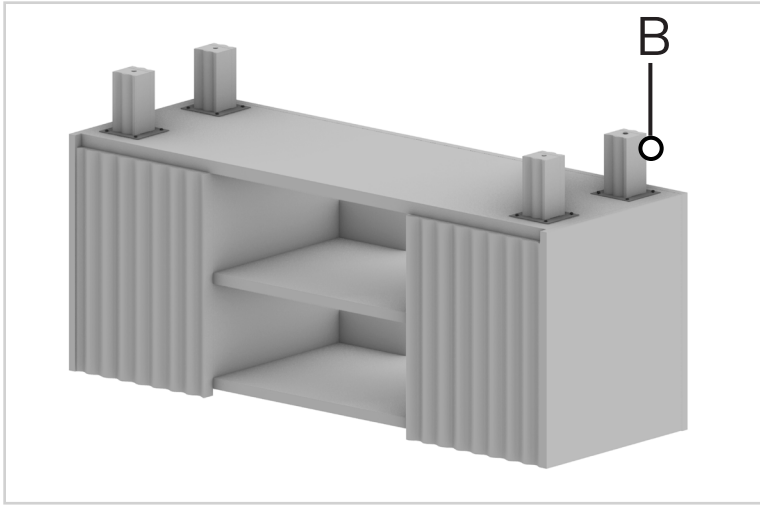
## step 2:

Now, insert washer (E), lock washer (F), and bolt (D) on all four holes and fix them in place with the help of allen key (G).



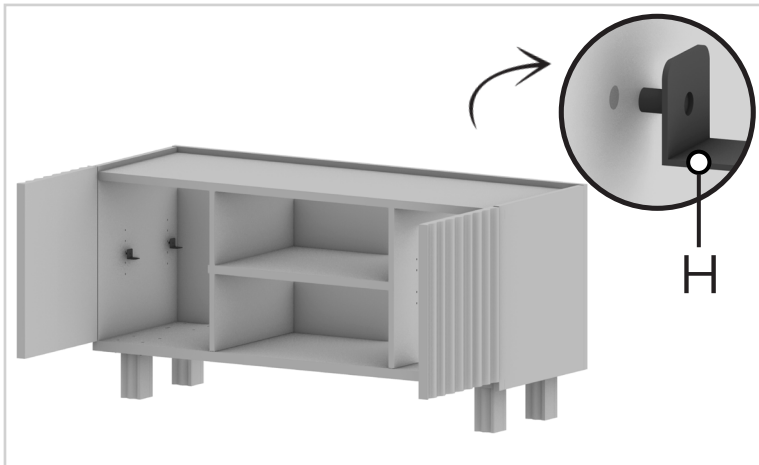
step 3:

Repeat step 2 with the remaining legs.



step 4:

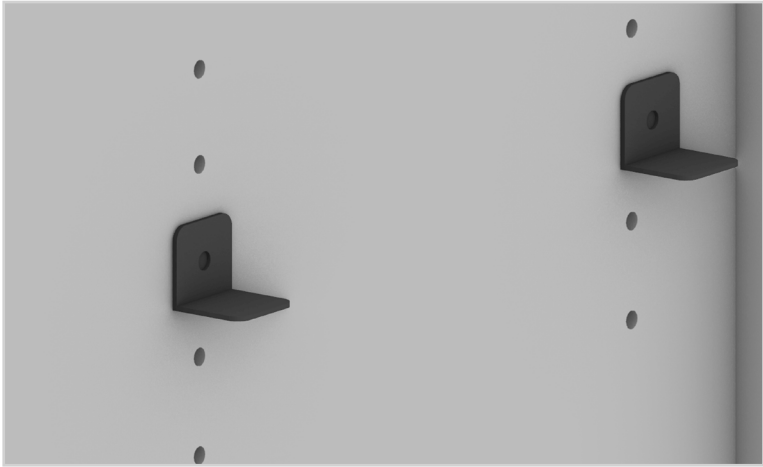
Taking this image as reference, attach the shelf hooks (H) to the required pre-drilled slot. Make sure that the shelf hooks on each side are attached at the same level.



**\* Note: There are 5 adjustable heights for side shelves.**

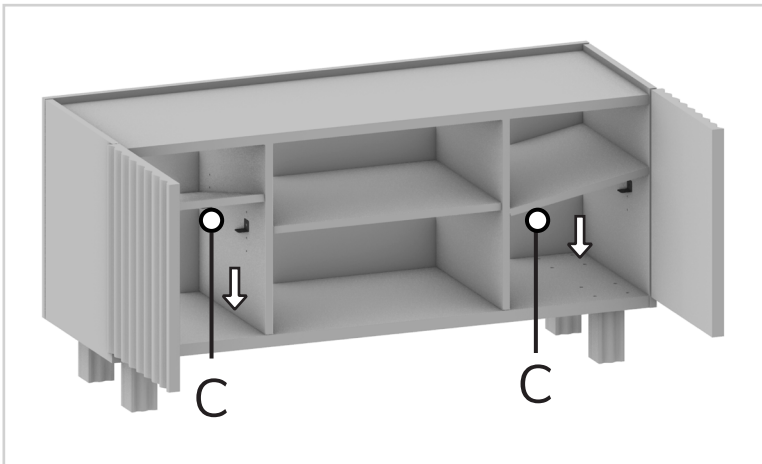
step 5:

To adjust the shelf height, remove the shelf hooks (H) and attach them to the slots as per your requirement



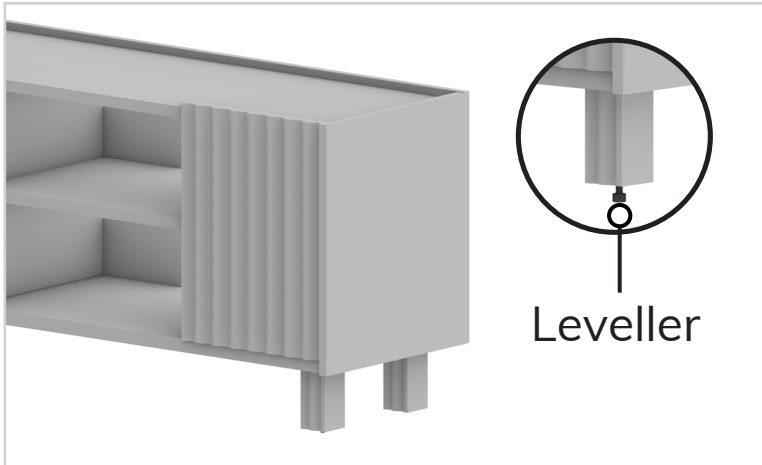
step 6:

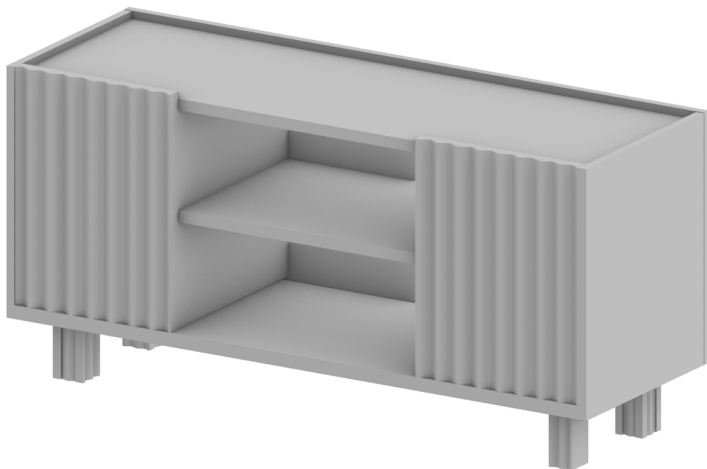
Now, align and place the shelves (C) inside the cabinet as shown in the image below.



step 7:

If required, adjust the levellers according to the floor as shown in the image.





---

**Voila! Your cabinet is now assembled and secure!**