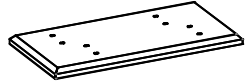


# ASSEMBLY INSTRUCTION

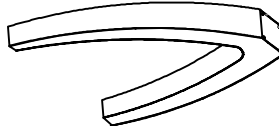
1. -2PCS



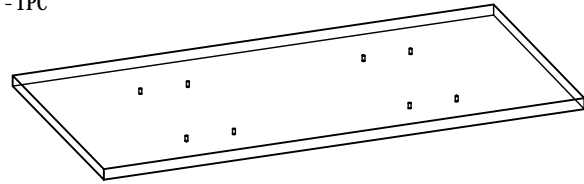
2. -1PC



3. -2PCS



4. -1PC



A. 8PCS\*MB\*16MM  
MBSCREWS



B. -1PC



C. -16PCS



D. 8PCS\*MB\*16MM  
MBSCREWS



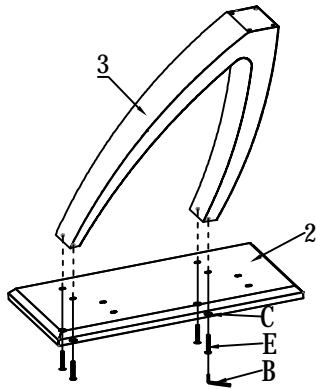
E. 8PCS\*MB\*50MM  
MBSCREWS



1

4HOLES

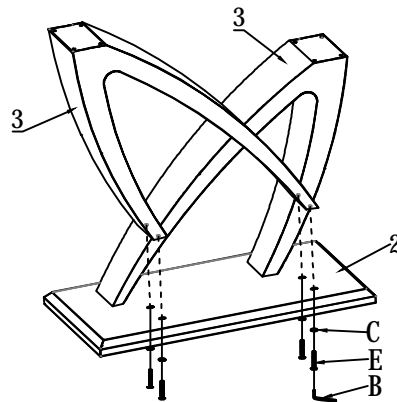
Screws: 4PCS\*MB\*50MM



2

4HOLES

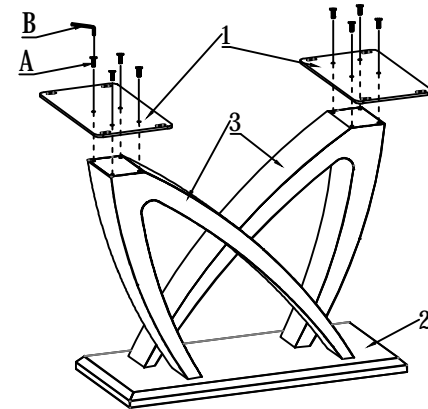
Screws: 4PCS\*MB\*50MM



3

4HOLES

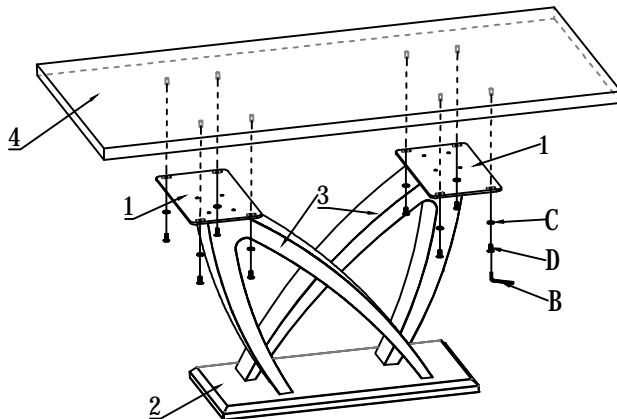
Screws: 8PCS\*MB\*16MM



4

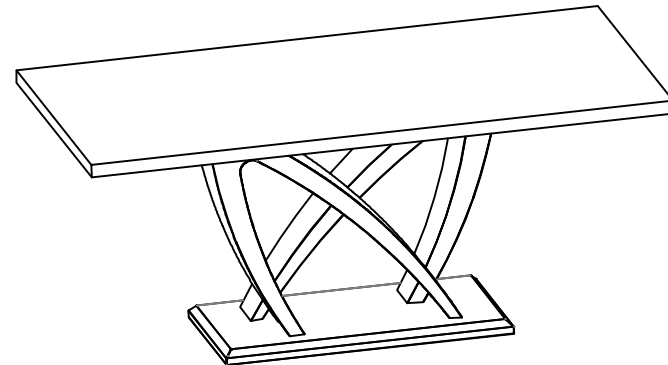
4HOLES

Screws: 8PCS\*MB\*16MM



5

COMPLETE



Note: Make sure all screws attached placing into right places before install tightly!!