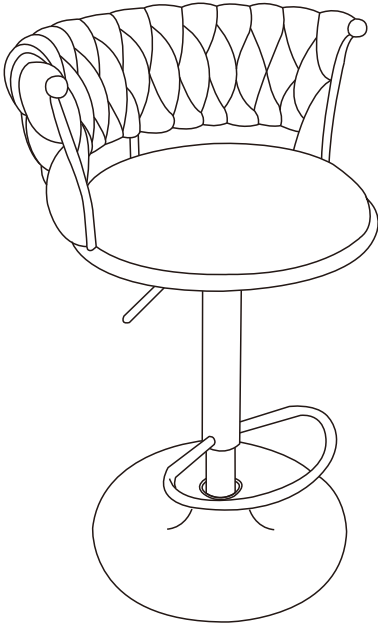
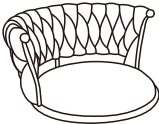


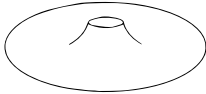
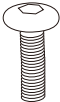
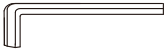


# INSTRUCTION MANUAL



## Swivel Upholstered Barstools

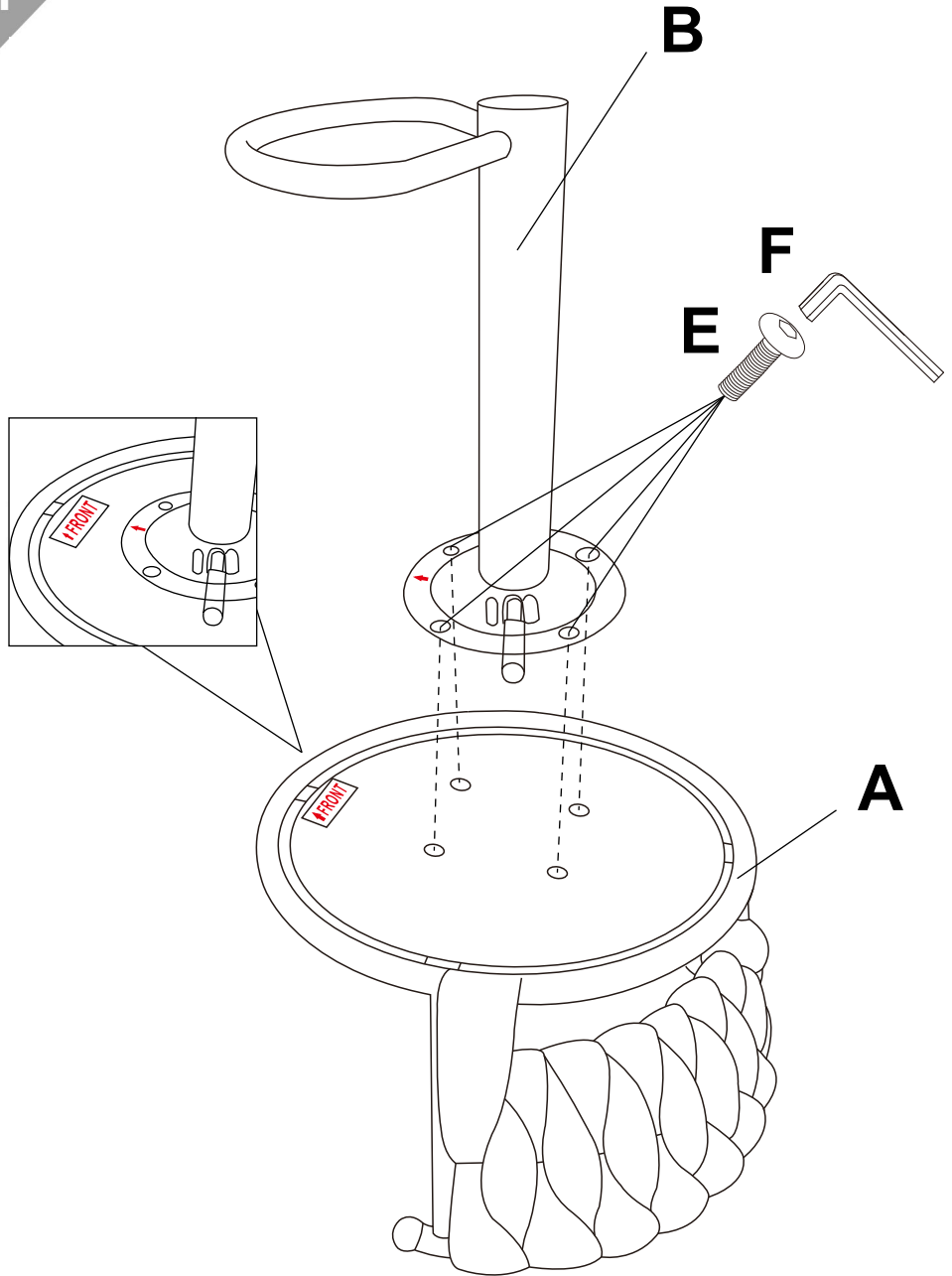
### Package List

<b>A</b> x1 	<b>B</b> x1 	<b>C</b> x1 	<b>D</b> x1 
<b>E</b> x4  M6*18mm	<b>F</b> x1  M6		

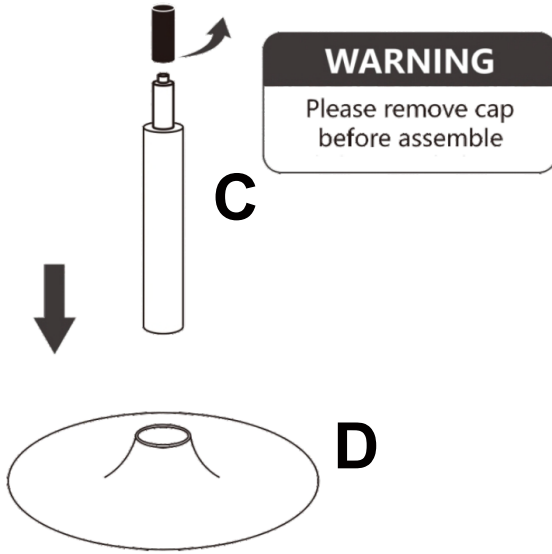
### Caution

Before using the chair, check to ensure that all bolts are fully tightened.  
Lubricate all parts and tighten all bolts every 6 months, or whenever needed.

1



2



3

