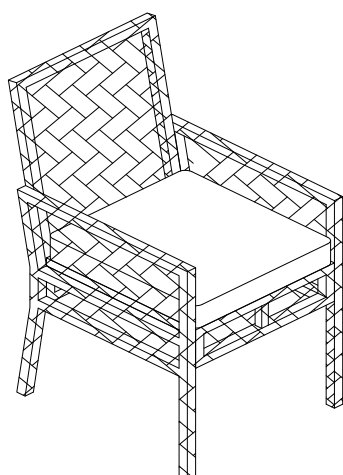


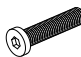


Thank you for purchasing the **DINING CHAIR** !

Before you start, here is some helpful advice:

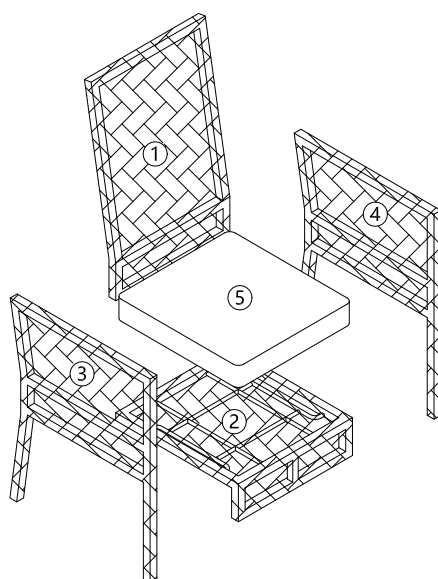
1. We suggest you spend a short time reading through this leaflet and then follow the simple step-by-step instructions.
2. Owing to the size and weight of the table, we recommend that it is assembled by two adults, on a carpeted or padded area, in the room that it is intended for. Approximate assembly time: 45 minutes.
3. Please do not use any tools other than those provided or recommended in these instructions.
4. Please do not throw away any of the packaging or the instruction until you have checked all the components and hardware and the furniture is fully assembled. Please ensure that the packaging is disposed of in a safe and environmentally friendly way.
5. Assemble all components loosely until advised to tighten. Depending on use, it may be necessary to tighten the components from time to time, so please save the tools that have been provided.
6. Please keep all fitting out of reach of children.



Hardware:

- | | | | |
|----|--|-----------------|------|
| A. |  | Bolt M6x45mm | x 12 |
| B. |  | Flat Washer M6 | x 12 |
| C. |  | Allen Wrench M4 | x1 |

Component:



1 Chair Back x1 2 Chair Seat x1 3 Left Arm x1 4 Right Arm x1 5 Seat Cushion x1

Dining Chair

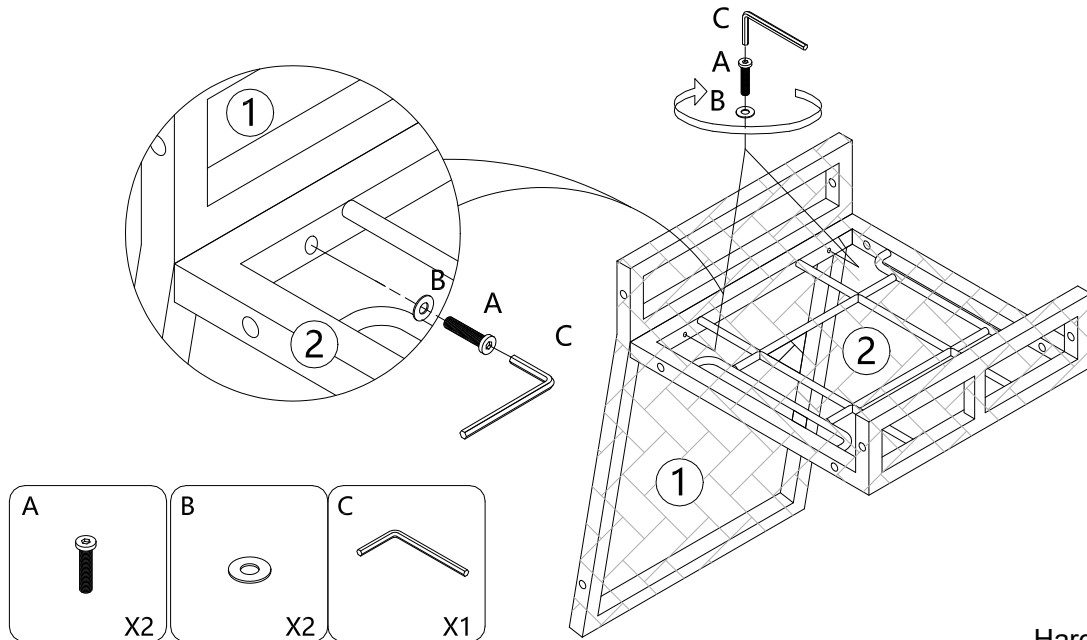
STEP 1:

Please put **Chair Back (1)** on a carpeted or padded area.

Place **Chair Seat (2)** to **Chair Back (1)** as shown.

Insert 2 piece of **Bolt (A)** with 2 piece of **Flat Washer (B)** into the holes on **Chair Back (1)** through the holes on **Chair Seat (2)**.

Use **Allen Wrench (C)** to tighten **Bolts (A)**. Do not fully tighten **Bolts (A)** at this step.

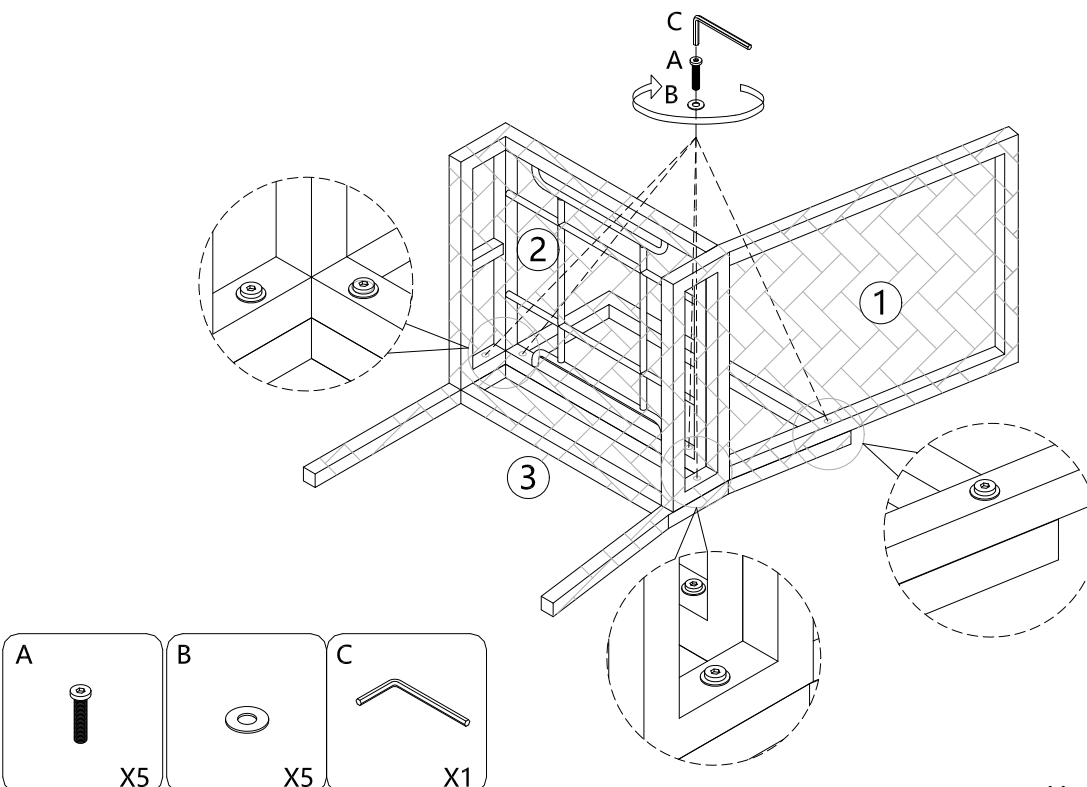


STEP 2:

Put the assembled **Chair Back (1)** and **Chair Seat (2)** to **Left Arm (3)** as shown.

Insert 5 pieces of **Bolt (A)** with 5 pieces of **Flat Washer (B)** into the holes on **Left Arm (3)** through the holes on **Chair Back (1)** and **Chair Seat (2)**.

Use **Allen Wrench (C)** to tighten **Bolts (A)**. Do not fully tighten **Bolts (A)** at this step.



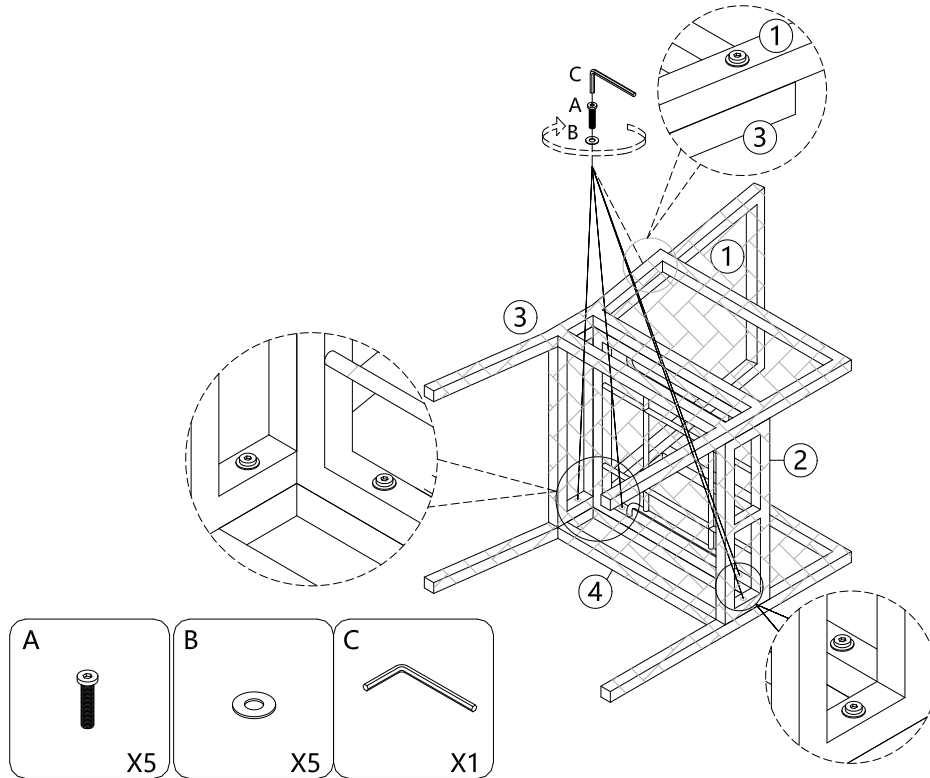
Dining Chair

STEP 3:

Put assembled chair unit to **Right Arm (4)** as shown.

Insert 5 pieces of **Bolt (A)** with 5 pieces of **Flat Washer (B)** into the holes on **Right Arm (4)** through the holes on **Chair Back (1)** and **Chair Seat (2)** .

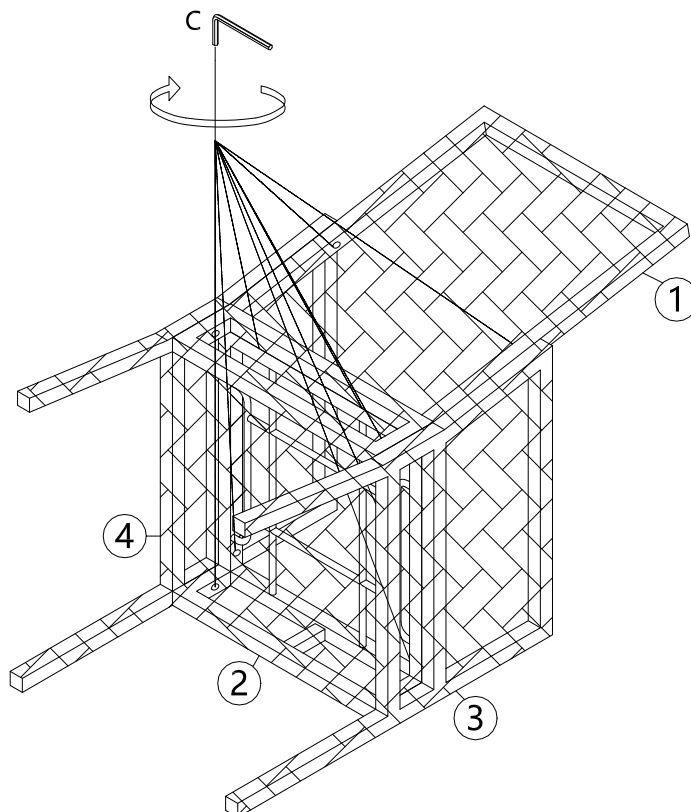
Use **Allen Wrench (C)** to tighten **Bolts (A)**. Do not fully tighten **Bolts (A)** at this step.



Hardware & Tools required

STEP 4:

Use **Allen Wrench (C)** to tighten all **Bolts (A)** clockwise until secure.

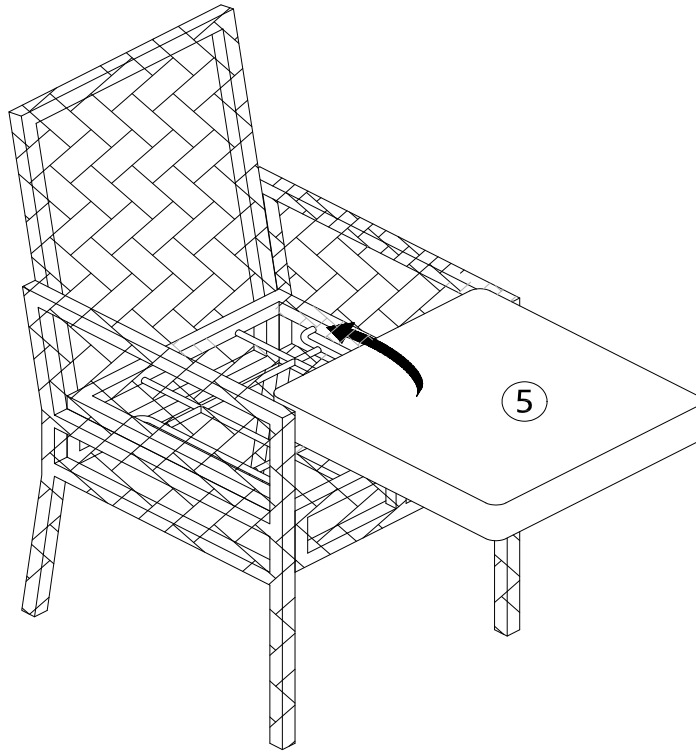


Dining Chair

STEP 5:

Please carefully turn over the assembled chair.

Put **Seat Cushion (5)** to the assembled chair as shown.



STEP 6:

Assembly is complete. Your dining chair is ready to be used now!

