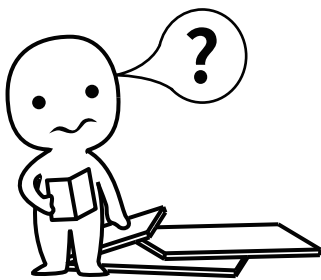


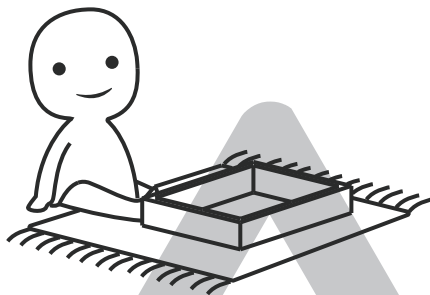
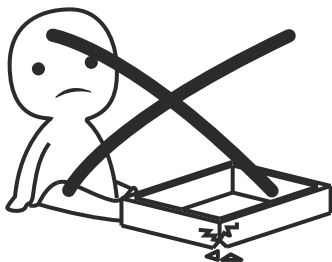
# **INSTALLATION**

*Product Manual*



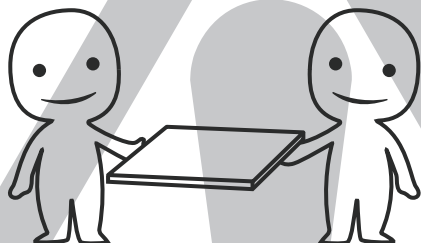
### **IMPORTANT INFORMATION!**

please read the entire manual before starting to assemble and/or using this product. follow the manual thoroughly and keep it for further reference.



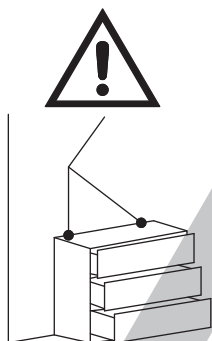
### **AVOID SCRATCHES!**

In order to avoid scratching this furniture should be assembled on a soft layer- could be a rug.



### **IMPROVE EFFICIENCY !**

Try to find a partner to install with you, which can speed up the installation efficiency and shorten the time.



### **ANTI-TOPPLE WARNING !**

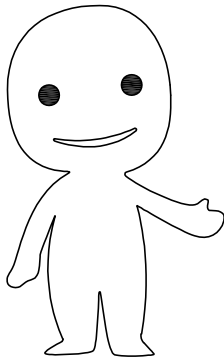
Overturnd furniture can cause serious or fatal crush injuries. To prevent tipping over, be sure to use the wall attachment, if not included with this product. Please purchase the wall attachment that fit your wall. If unsure, seek professional advice. Please read and follow each step of the instructions carefully.

### **IMPORTANT !**

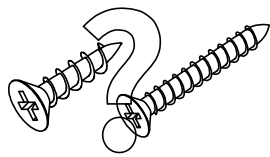
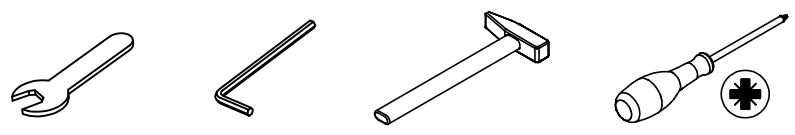
It is important that any product which is assembled using any kind of screw is re-tightened 2 weeks after assembly, and once every 3 months - in order to assure stability through-out the lifespan of the product.

For regular maintenance and cleaning of the product, for the frame, please use a rag dipped in neutral detergent to fully wipe it, and then dry it with a clean rag. For glass materials, wipe with a rag dampened with water glass cleaner, and then dry with a dry rag.

Do not use an electric screwdriver, and do not use too much force when installing, because the board is easy to break.



Please prepare the following tools



When installing, please carefully confirm whether each screw corresponds to the manual, accessories with similar shapes can be distinguished by size

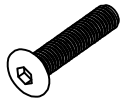
<p>A x 65</p>  <p>CRA0635A</p>	<p>B x 65</p>  <p>CRB1595A</p>	<p>C x 32</p>  <p>CRC0540A</p>	<p>D x 24</p>  <p>CRD3512A</p>	<p>E x 60</p>  <p>CRD3514A</p>
<p>F x 8</p>  <p>DGA861C</p>	<p>G x 2</p> 	<p>H x 2</p> 	<p>I x 6</p>  <p>CRD0314A</p>	<p>J x 8</p> 
<p>K x 34</p>  <p>CRD3520A</p>	<p>L x 7</p> 	<p>M x 14</p>  <p>CRE0418A</p>	<p>④2 X 3</p>  <p>#3508 14</p>	<p>N x 4</p> 
<p>O x 4</p> 	<p>P x 8</p>  <p>Ø 6 x 40mm</p>	<p>Q x 36</p>  <p>Ø 6 x 12mm</p>	<p>R x 2</p>  <p>CRG0545A</p>	<p>S x 4</p>  <p>M8*60mm</p>
<p>T x 4</p> 	<p>U x 1</p>  <p>M5</p>	<p>V x 1</p>  <p>M4</p>	<p>W x 1</p> 	<p>X x 1</p> 

① X 2



Ø 4 x 4mm

Y x 3

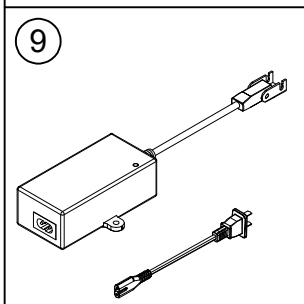
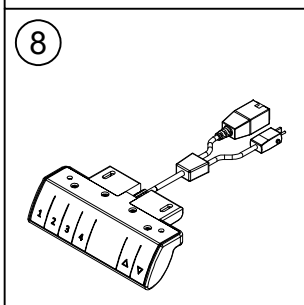
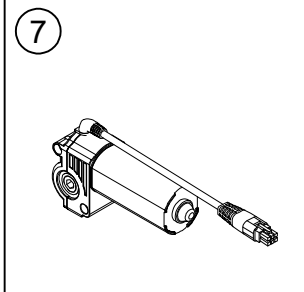
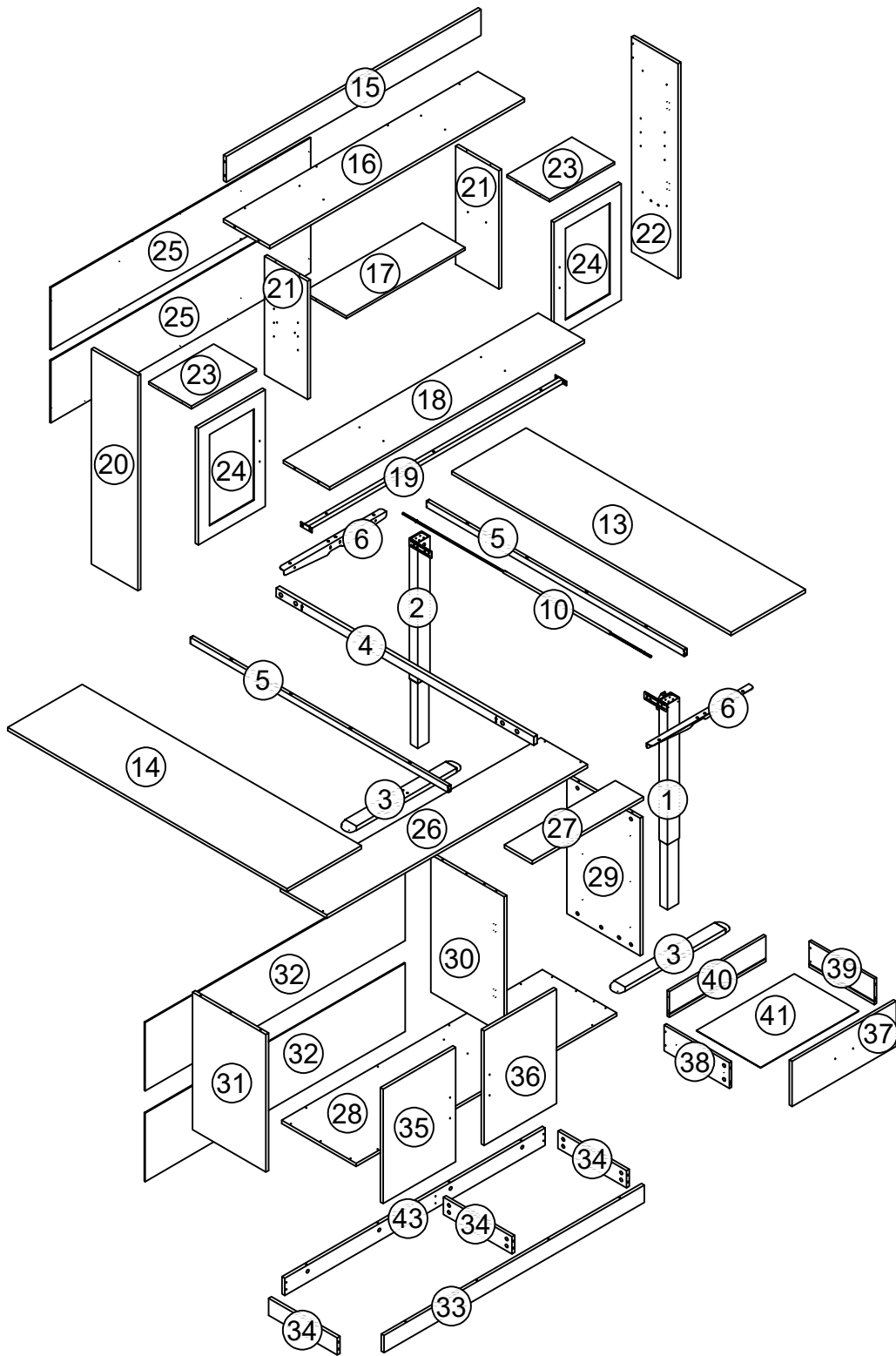


CRG0630A

Z x 4



CRG0612A



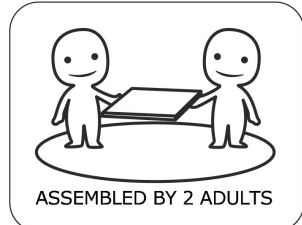
X3

**⚠ WARNING**

**Children have died from furniture tipover. To reduce the risk of furniture tipover:**

- ALWAYS install Anti-tip device provided.
- NEVER put a TV on this product.
- NEVER allow children to stand, climb or hang on drawers, doors, or shelves.
- NEVER open more than one drawer at a time.
- Place heaviest items in the lowest drawers.

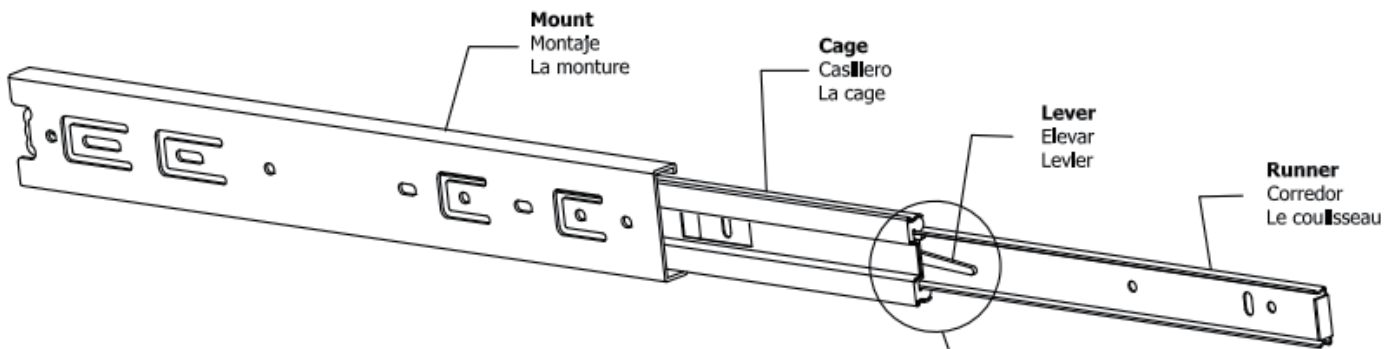
*This is a permanent label. Do not remove!*



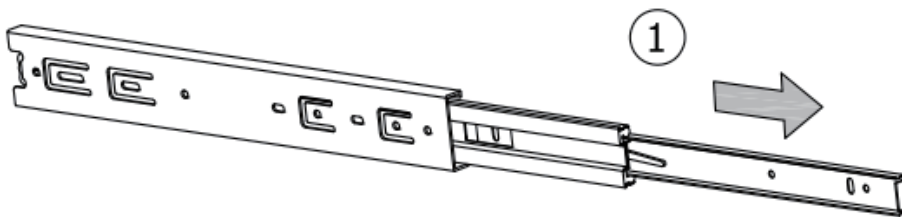
**Slides Must Be Separated Before Assembly.  
After Separated, Set Aside Until Needed for Assembly.**

Las diapositivas deben separarse antes del montaje.  
Después de la separación, déjelo a un lado hasta que sea necesario.

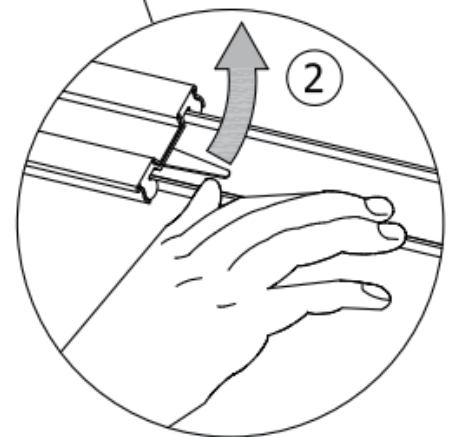
Les glissières doivent être séparées avant l'assemblage.  
Après la séparation, mettez de côté jusqu'au moment de l'assemblage.



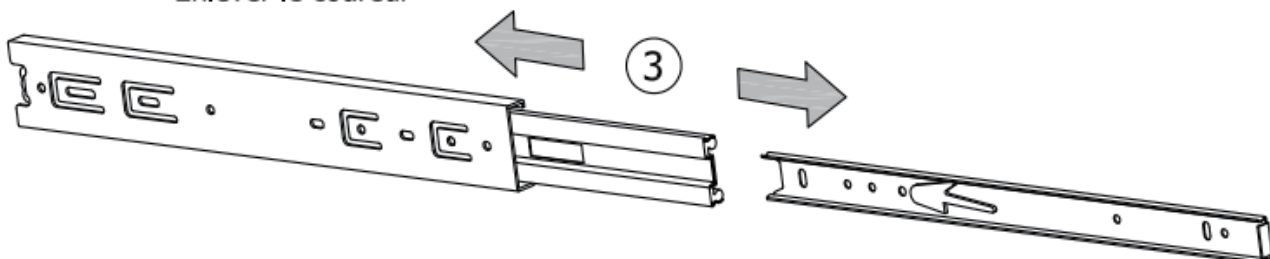
**STEP 1: Extend Slide**  
Extender la diapositiva  
Extendre la diapositive



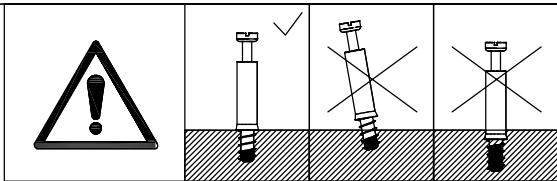
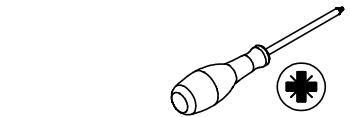
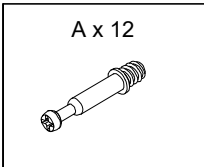
**STEP 2: Push Lever UP**  
Empujar hacia arriba  
Lever le levier



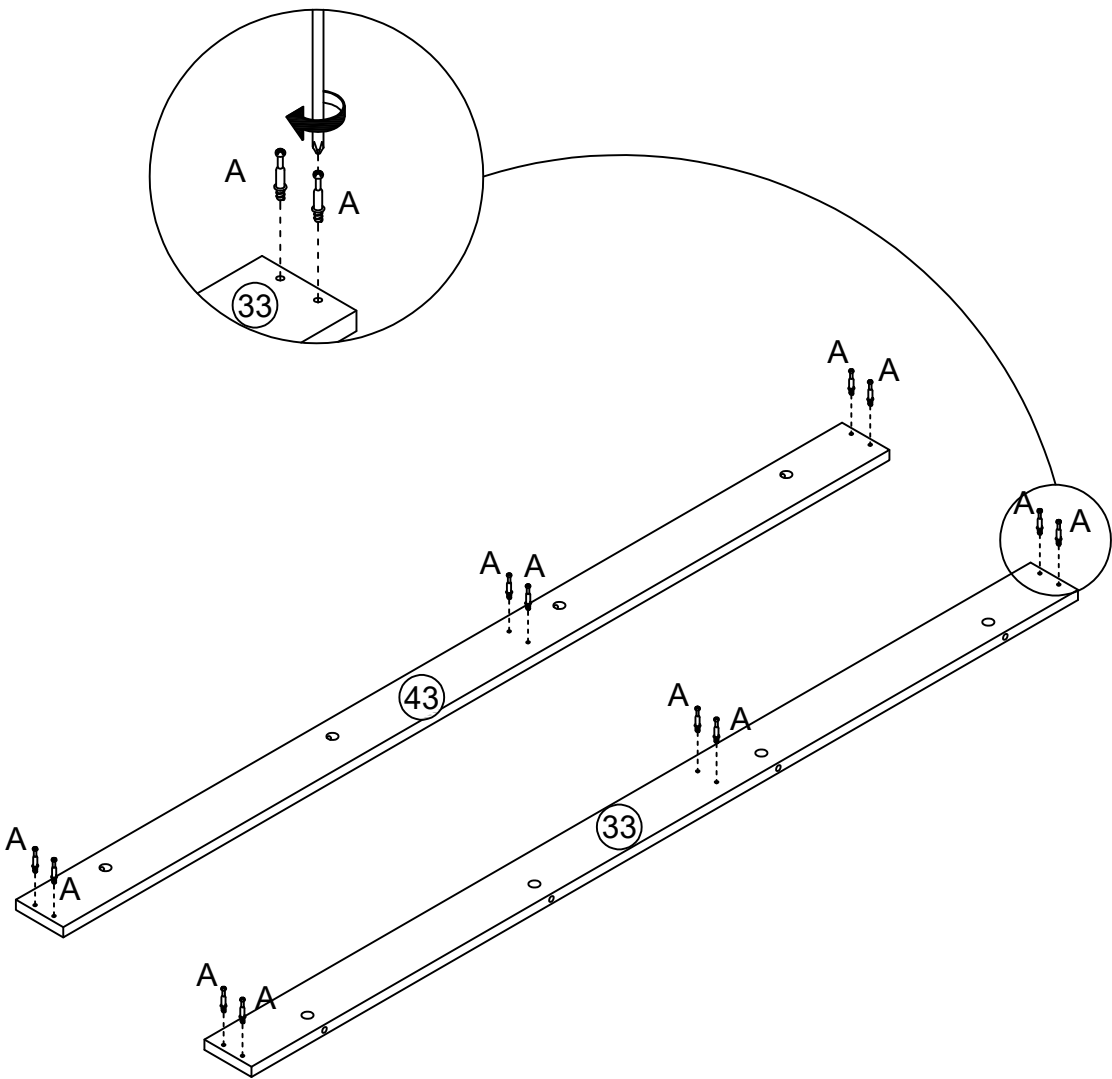
**STEP 3: Remove Runner**  
Quitar el corredor  
Enlever le coureur



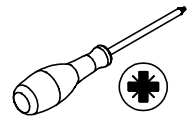
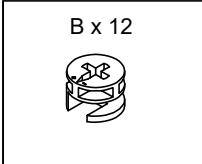
1



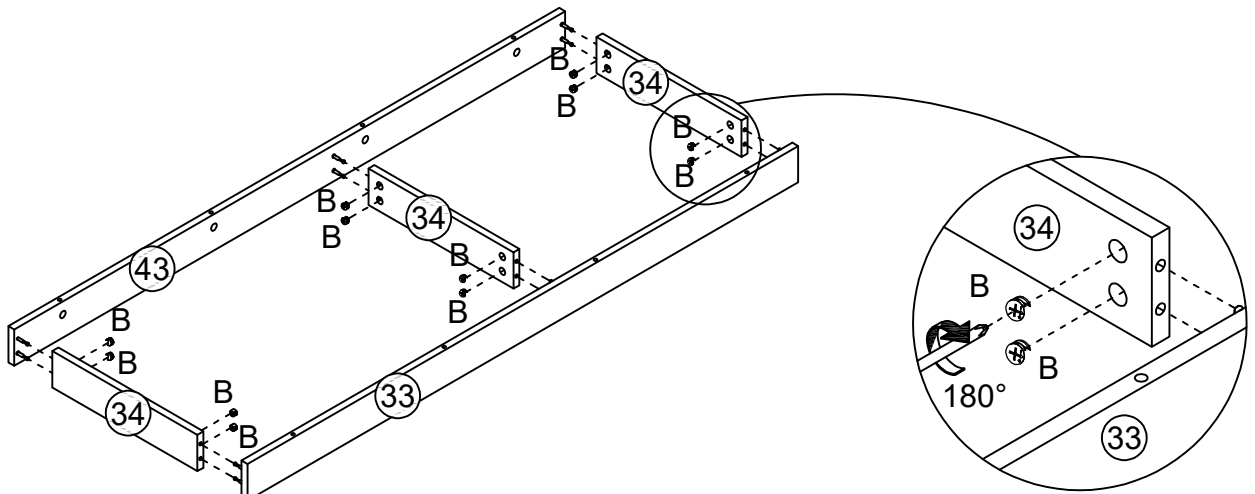
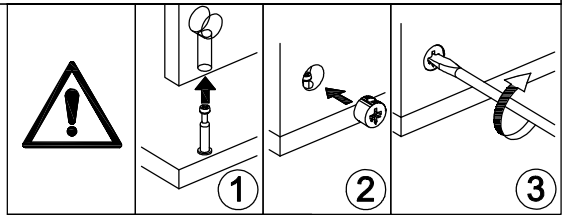
Screw eccentric rod(A) into board 33 and 34 at first.



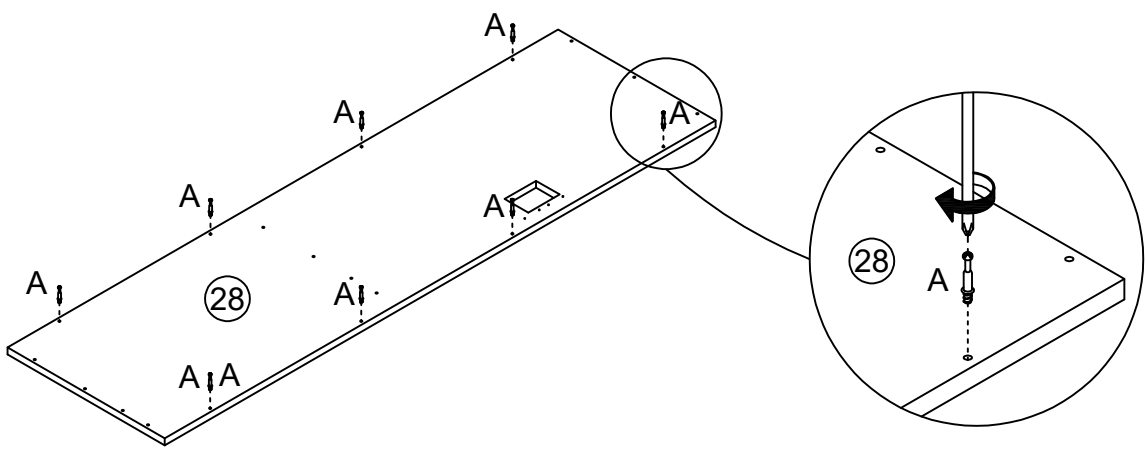
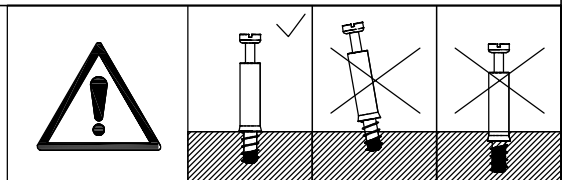
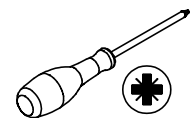
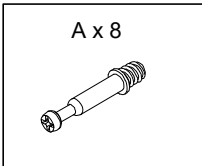
2



Connect board 33 and board 43 to board 34, add cam lock(B) into board 34 and turn clockwise to tighten as shown.

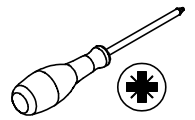
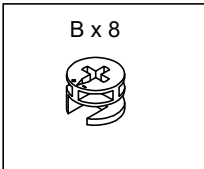


3

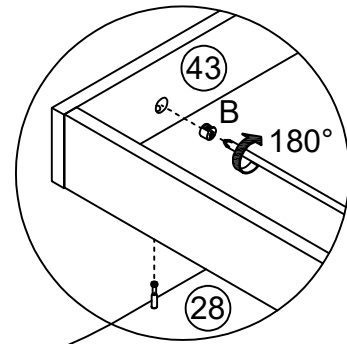
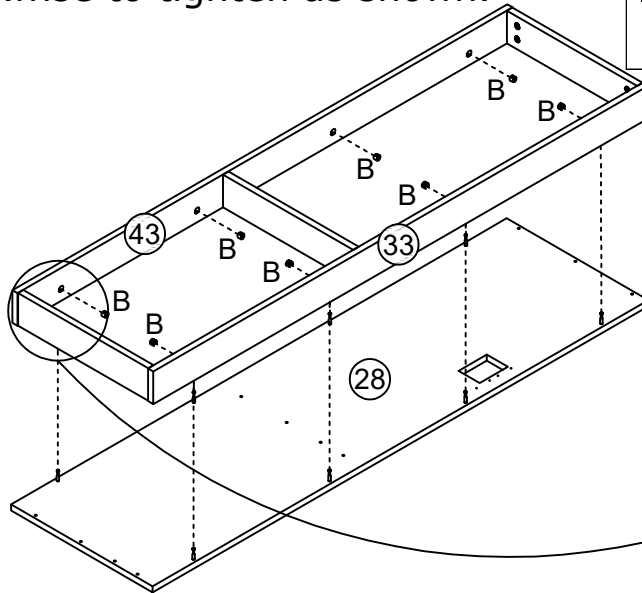
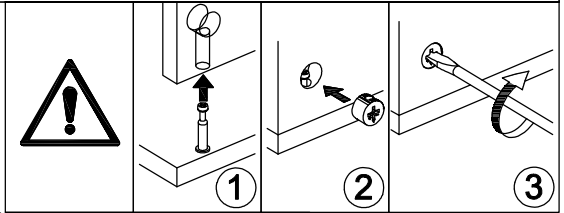


Screw eccentric rod(A) into board 28 at first.

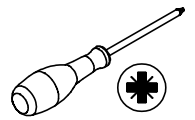
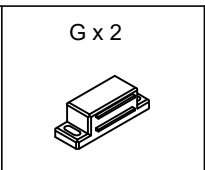
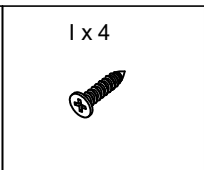
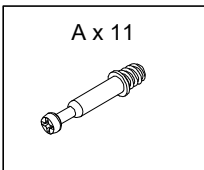
4



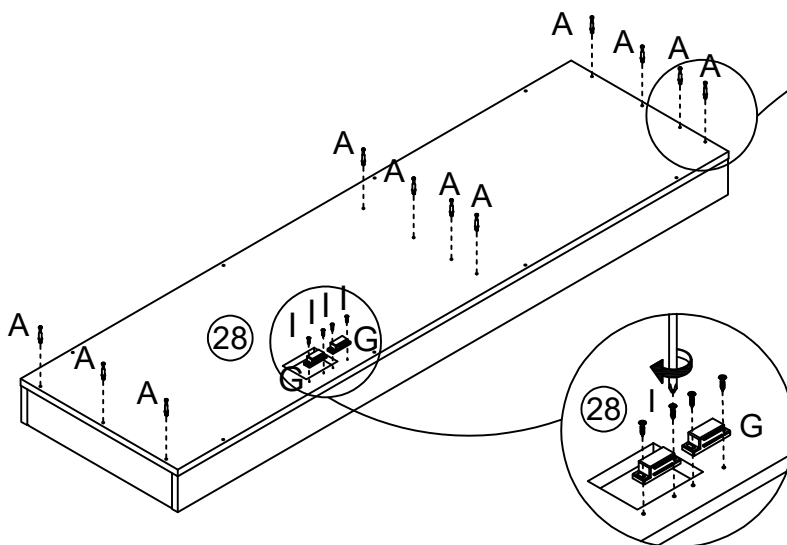
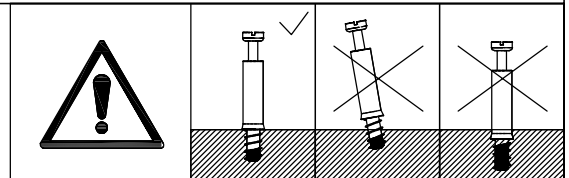
Connect board 28 to board 33 and board 43, add cam lock(B) into and turn clockwise to tighten as shown.



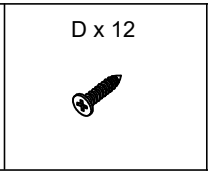
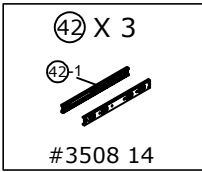
5



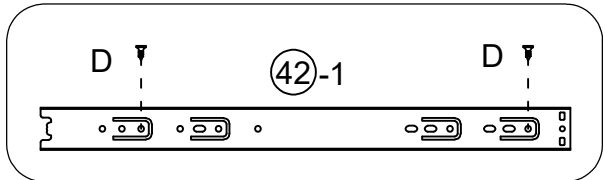
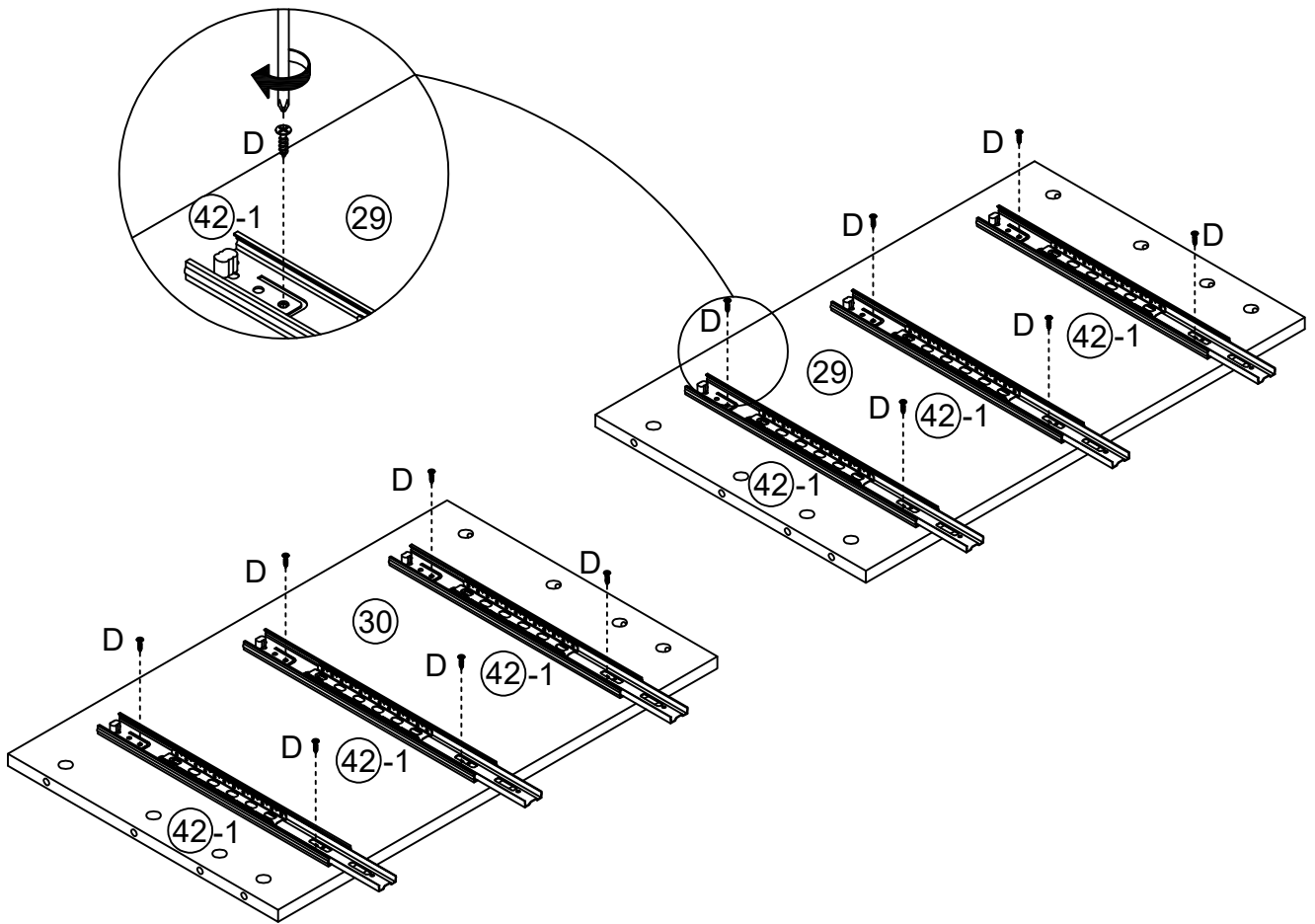
Screw eccentric rod(A) into board 28 at first. Fix part(G) into board 28 with screw(I) as shown.



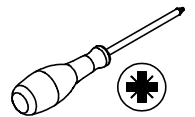
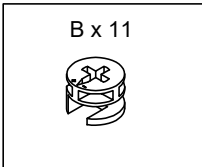
6



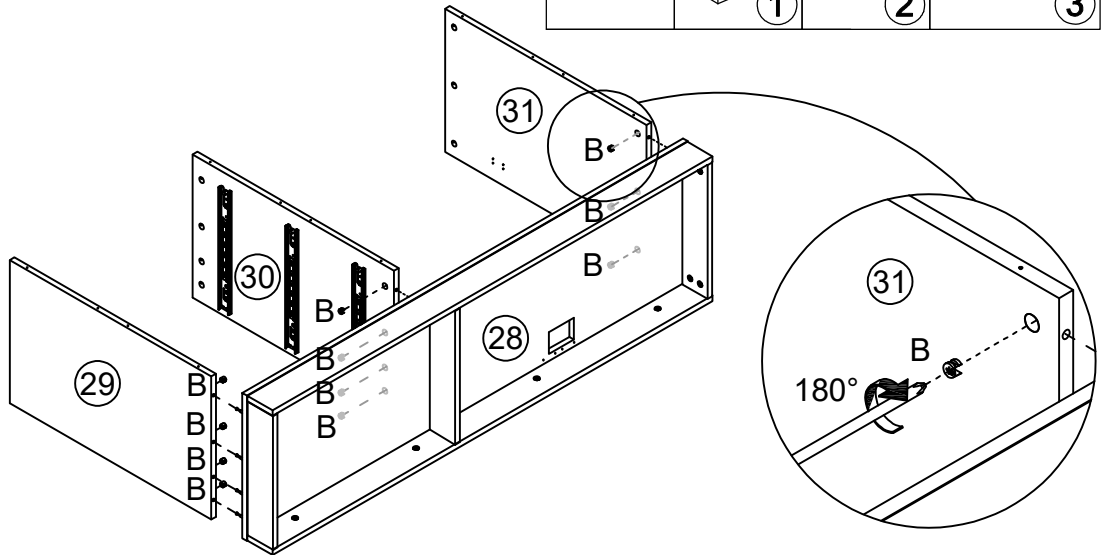
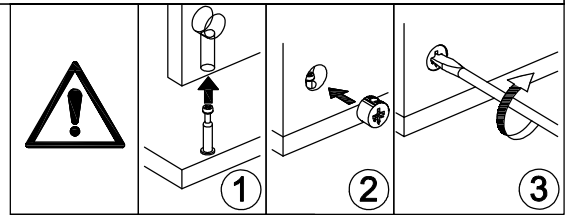
Fix rail 42(42-1) into board 29 and board 30 with screw(D) as shown.



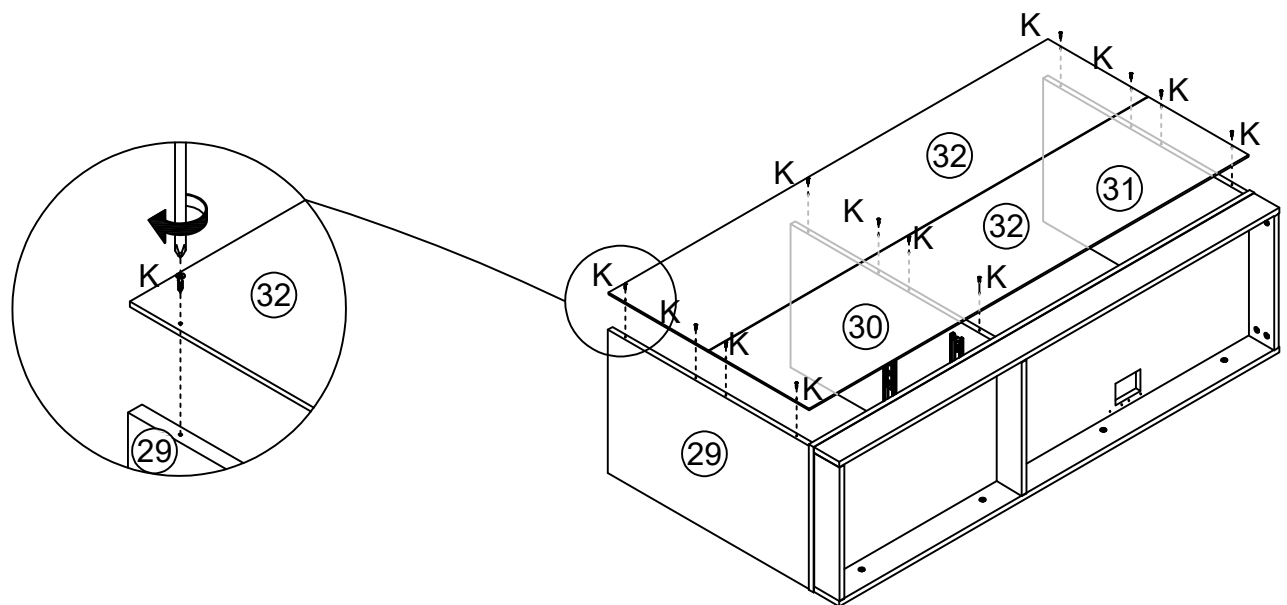
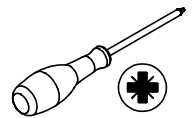
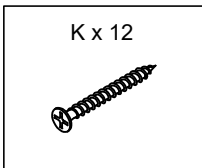
7



Connect board 29, 30 and 31 to board 28, add cam lock(B) into and turn clockwise to tighten as shown.



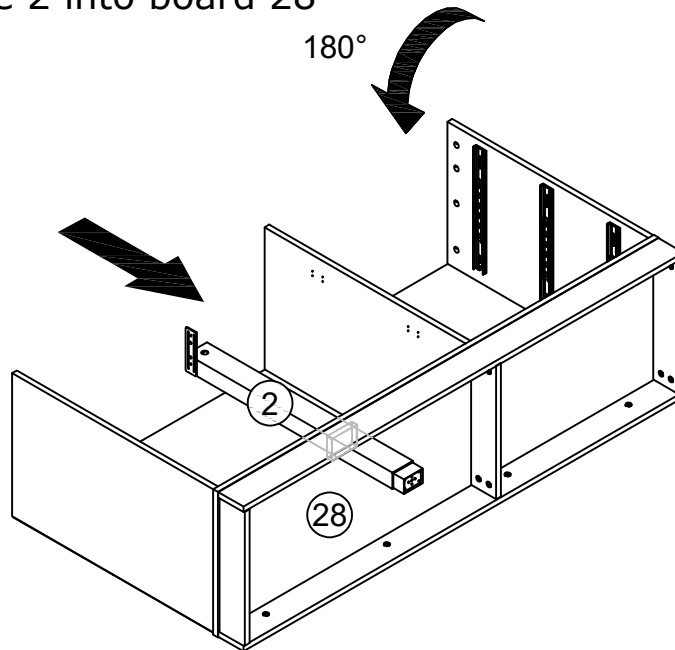
8






Fix board 32 to the component in last step with screw(K) as shown.

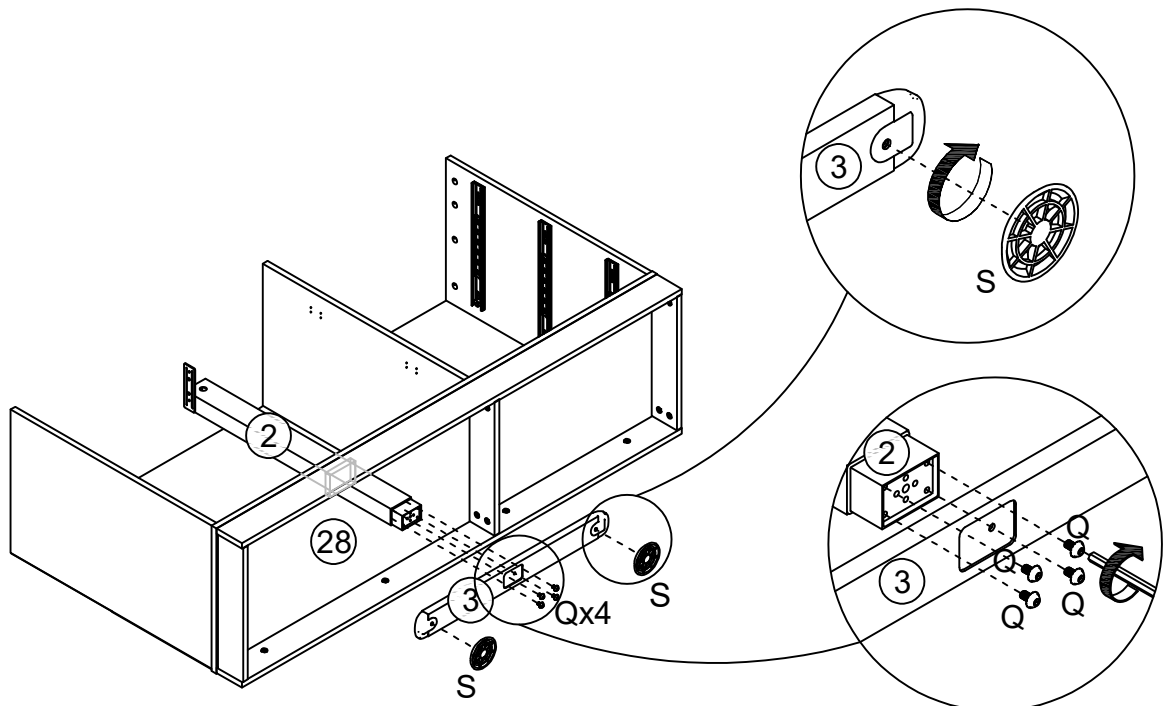
9

Insert steel frame 2 into board 28 as shown.



10

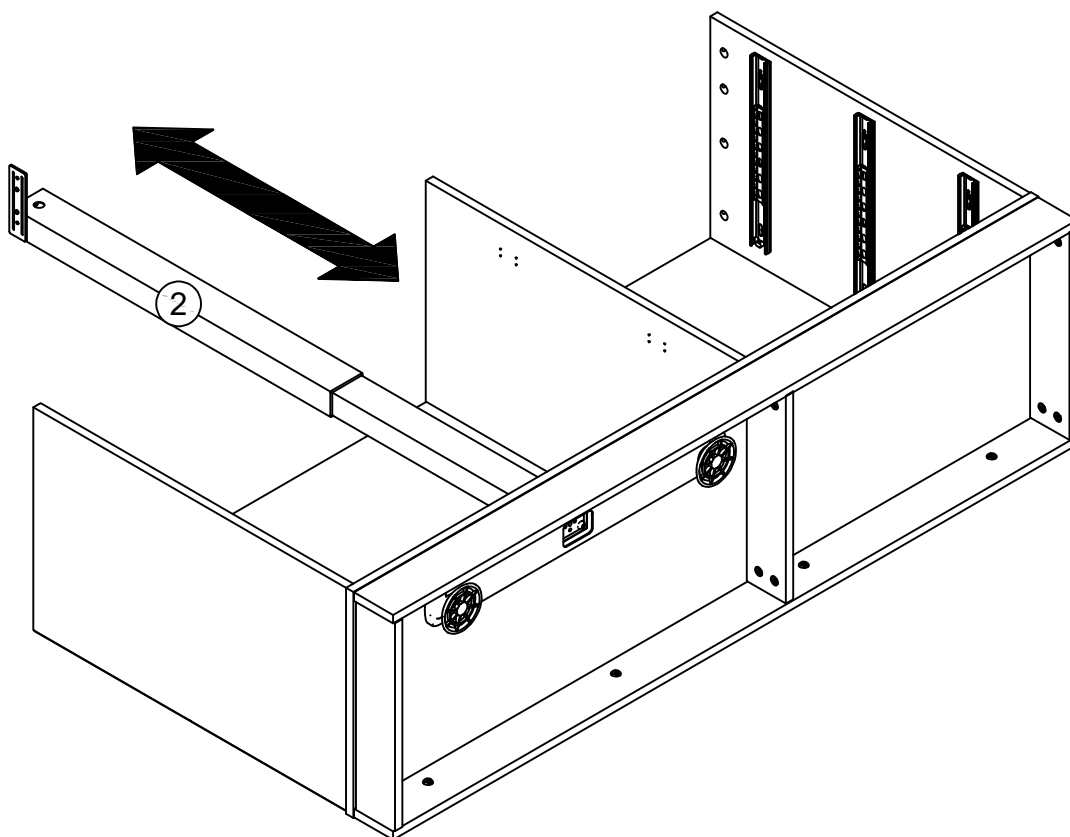
Q x 4  Ø 6 x 12mm	S x 2  M8*60mm	U x 1  M5	
--	---	--	--



Screw part(S) to steel frame 3 at first, connect steel frame 3 to steel frame 2 with screw(Q) as shown.

11

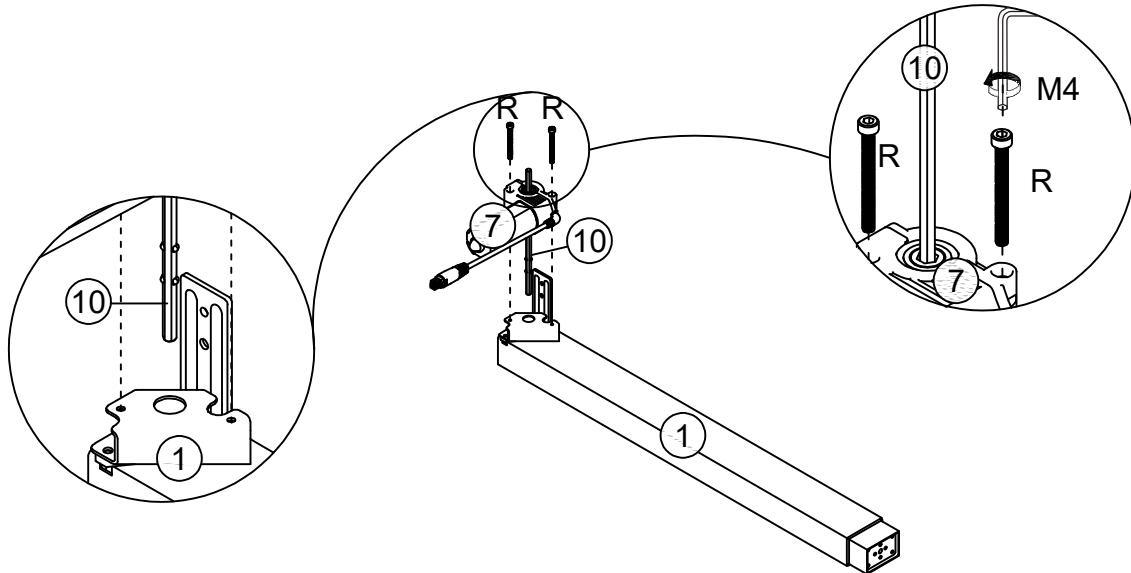
Stretch steel frame 2 to the longest.






# 12

R x 2 	V x 1  M4	
--	--	--

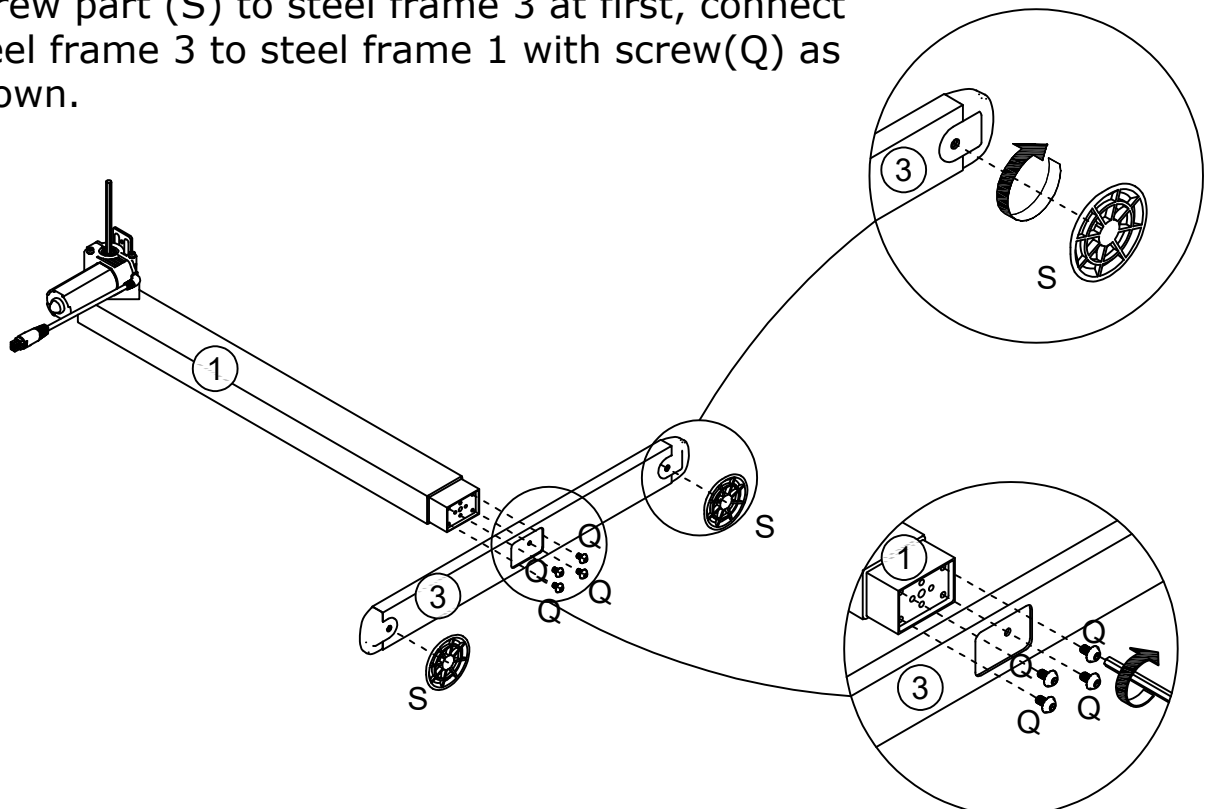
Add driving rod 10 into part 1 at first, put electric machine 7 through driving rod then fix on part 1 with screw(R) as shown.



# 13

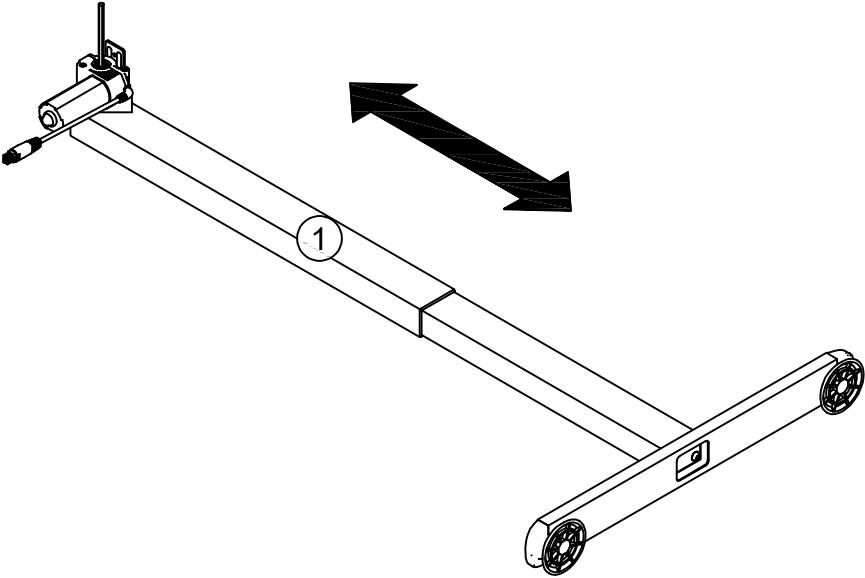
Q x 4  Ø 6 x 12mm	S x 2  M8*60mm	U x 1  M5	
--	---	--	--

Screw part (S) to steel frame 3 at first, connect steel frame 3 to steel frame 1 with screw(Q) as shown.



14

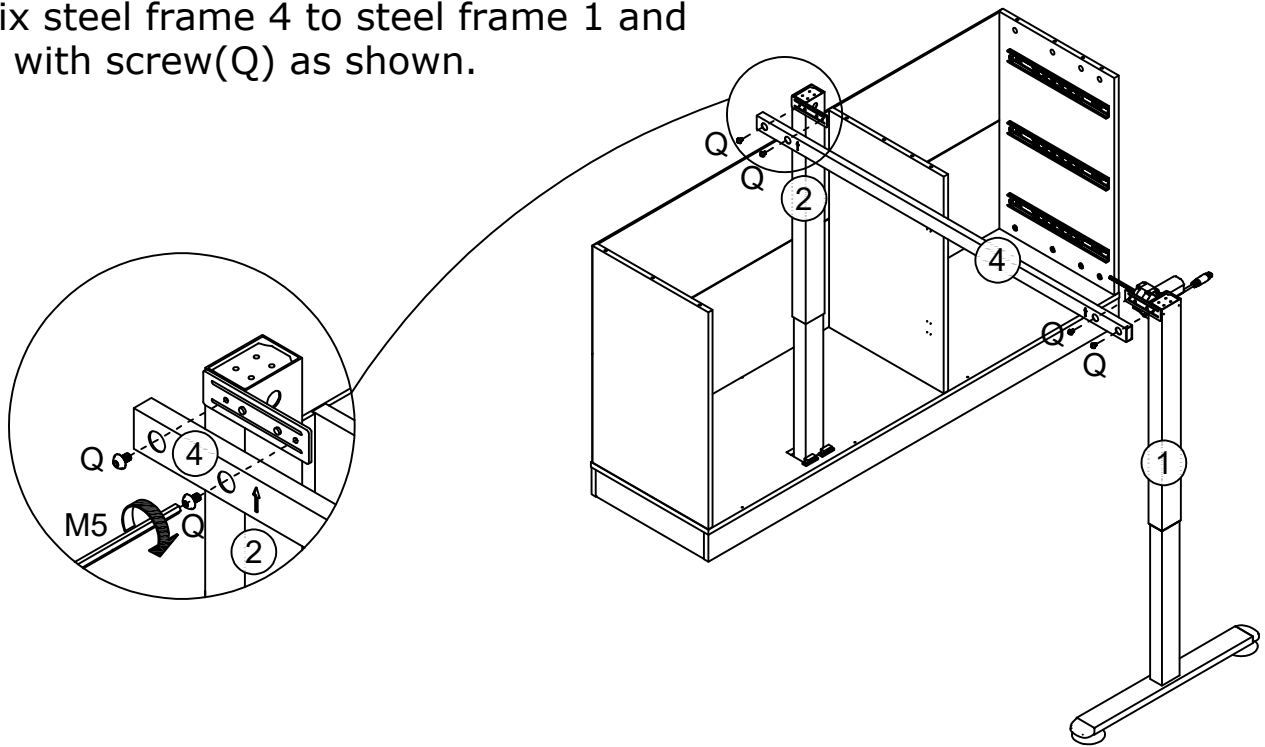
Stretch steel frame 1 to the longest.



15

Q x 4  Ø 6 x 12mm	U x 1  M5	
--	--	--

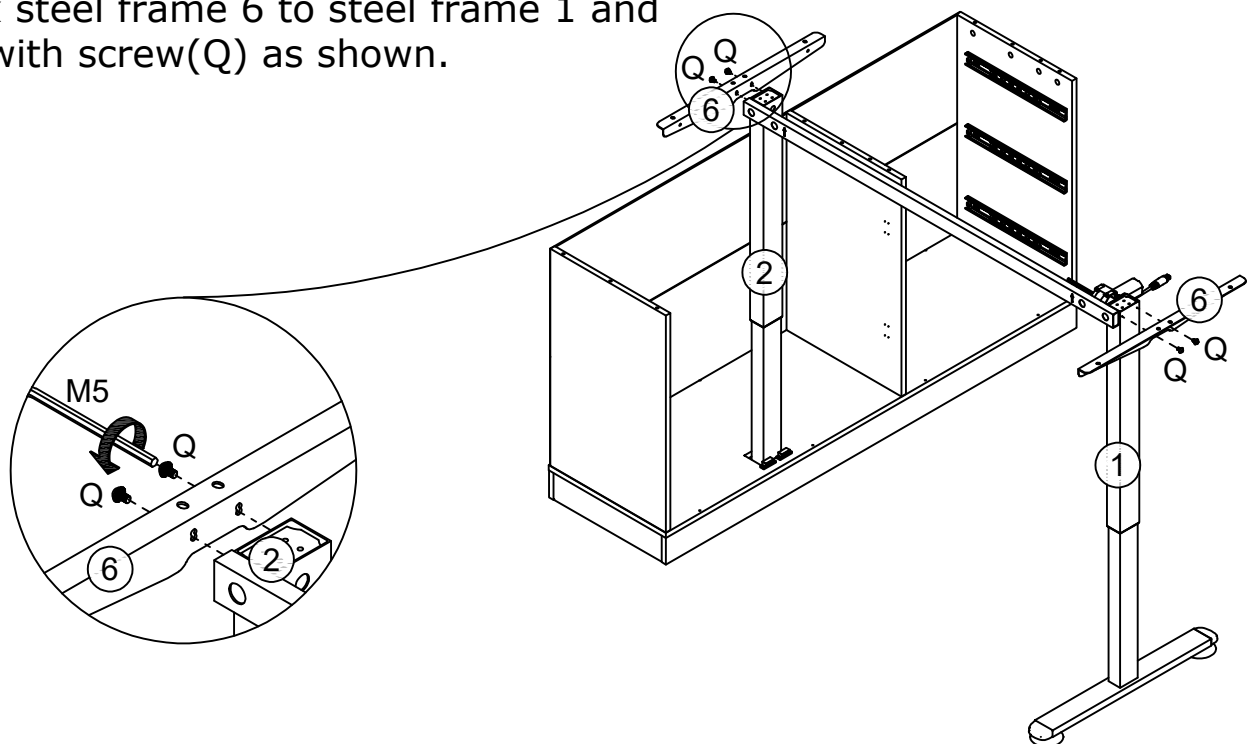
Fix steel frame 4 to steel frame 1 and 2 with screw(Q) as shown.



16

Q x 4  Ø 6 x 12mm	U x 1  M5	
--	--	--

Fix steel frame 6 to steel frame 1 and 2 with screw(Q) as shown.

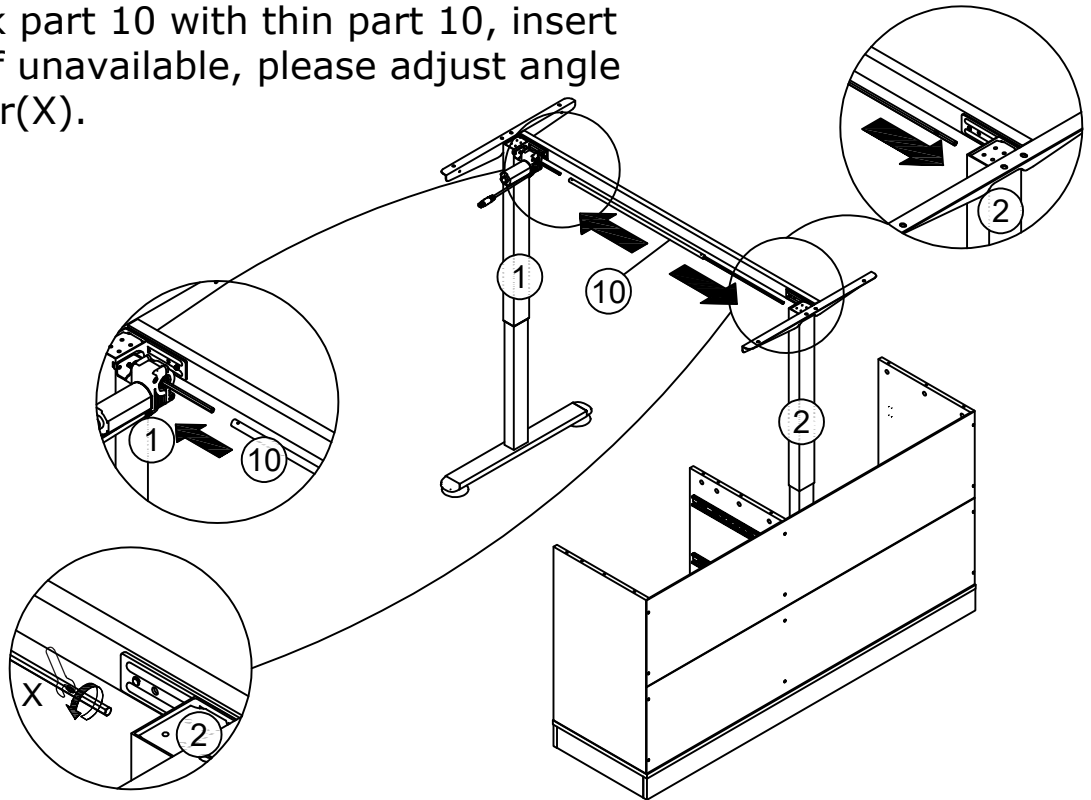


17

X x 1



Connect thick part 10 with thin part 10, insert into part 2. If unavailable, please adjust angle using spanner(X).

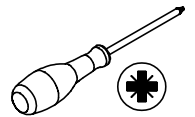


18

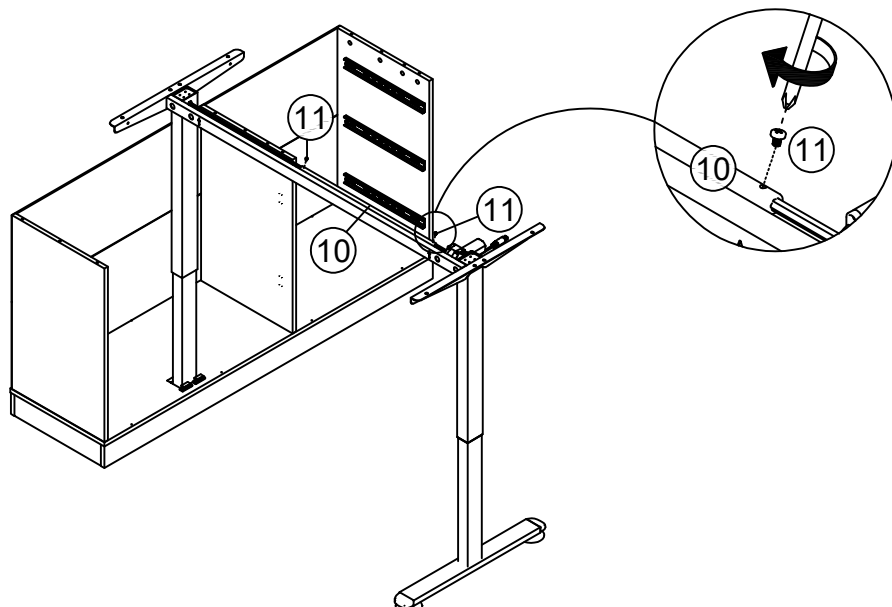
11 X 2



Ø 4 x 4mm



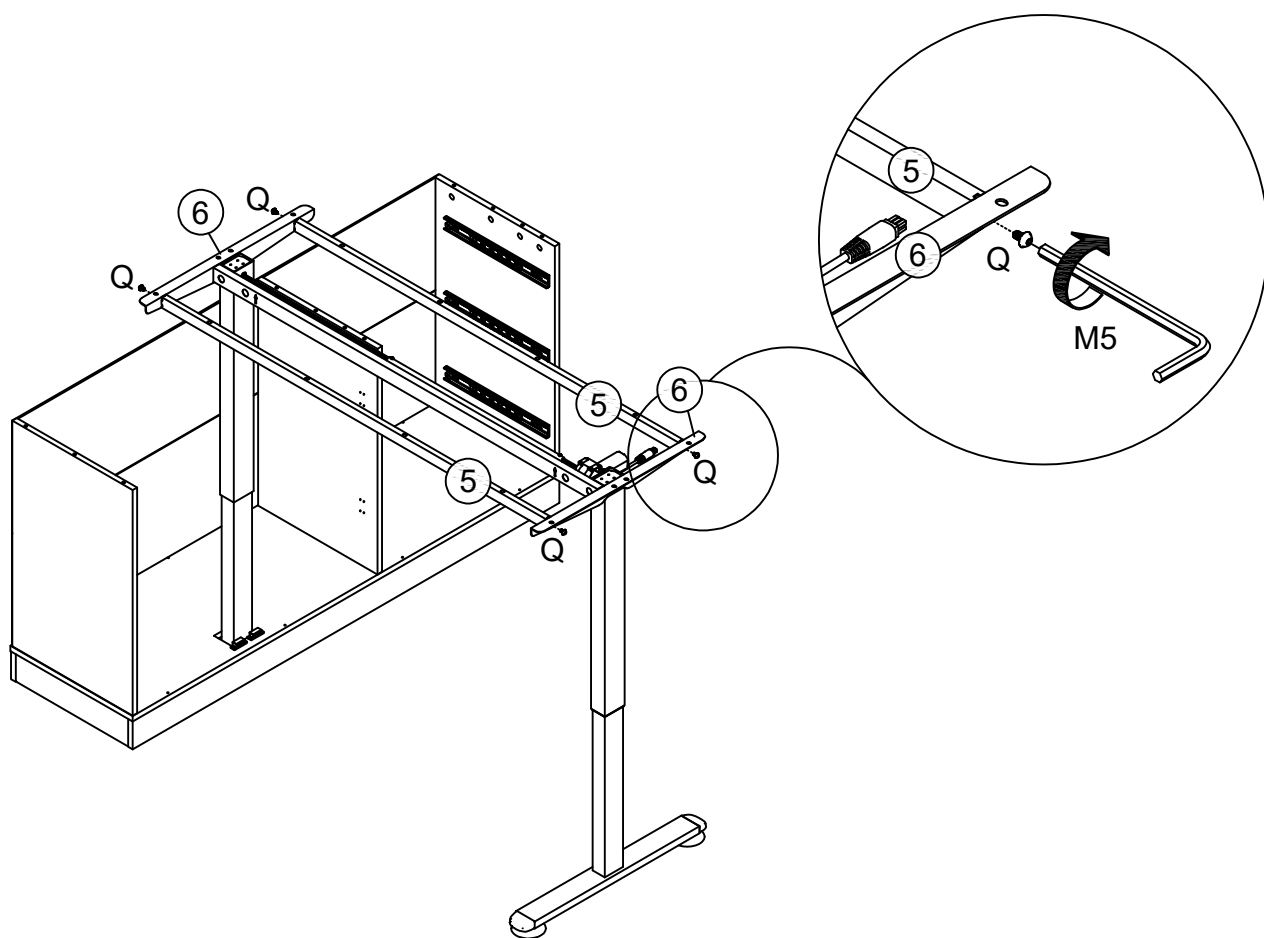
Add screw(11) into driving rod 10 and tighten once length available.






19

<p>Q x 4</p>  <p>Ø 6 x 12mm</p>	<p>U x 1</p>  <p>M5</p>	
--	--	--

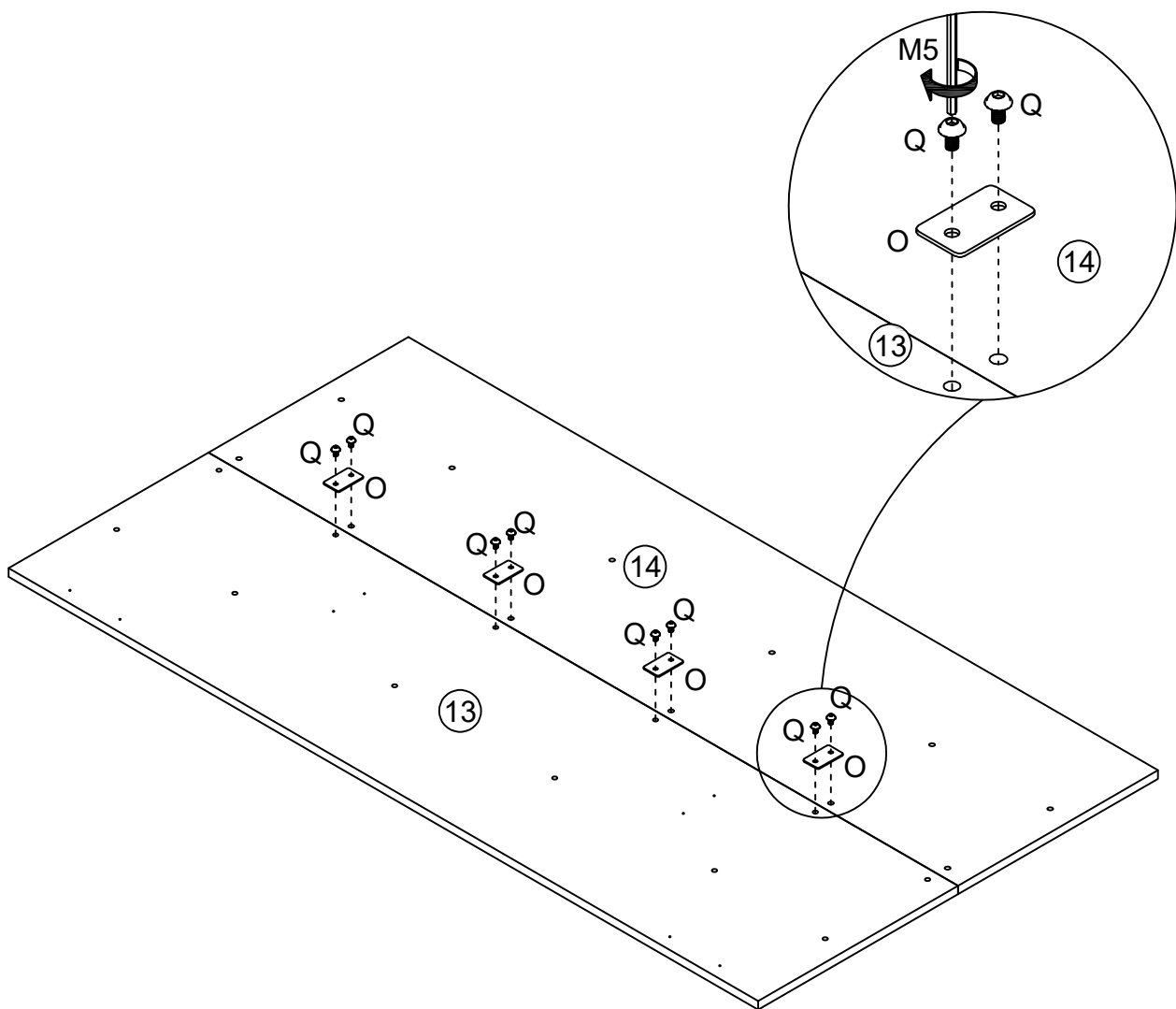
Fix steel frame 5 to steel frame 6 with screw(Q) as shown.






20

<p>Q x 8  Ø 6 x 12mm</p>	<p>O x 4 </p>	<p>U x 1  M5</p>	
---	--	---	--

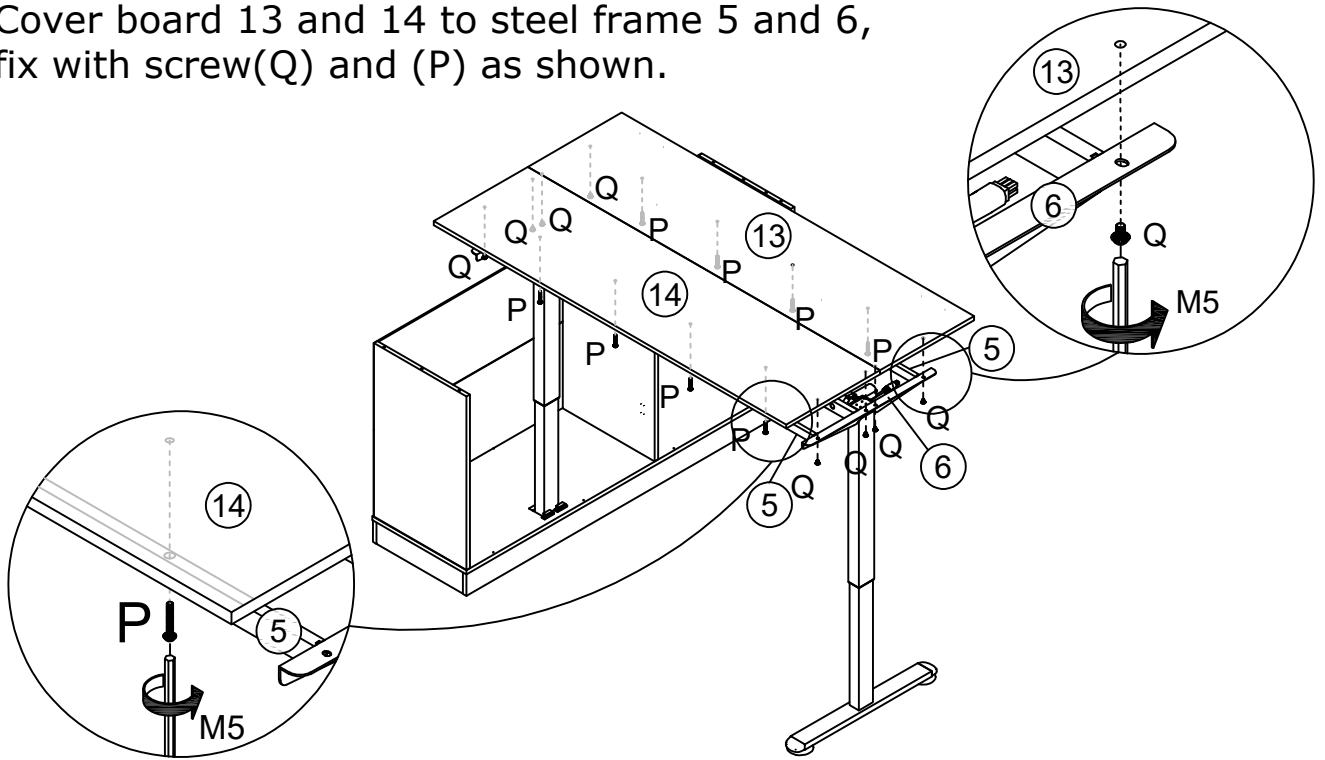
Connect board 13 and board 14 by fixing part(O) with screw(Q) as shown.



21

Q x 8  Ø 6 x 12mm	P x 8  Ø 6 x 40mm	U x 1  M5	
--	--	--	--

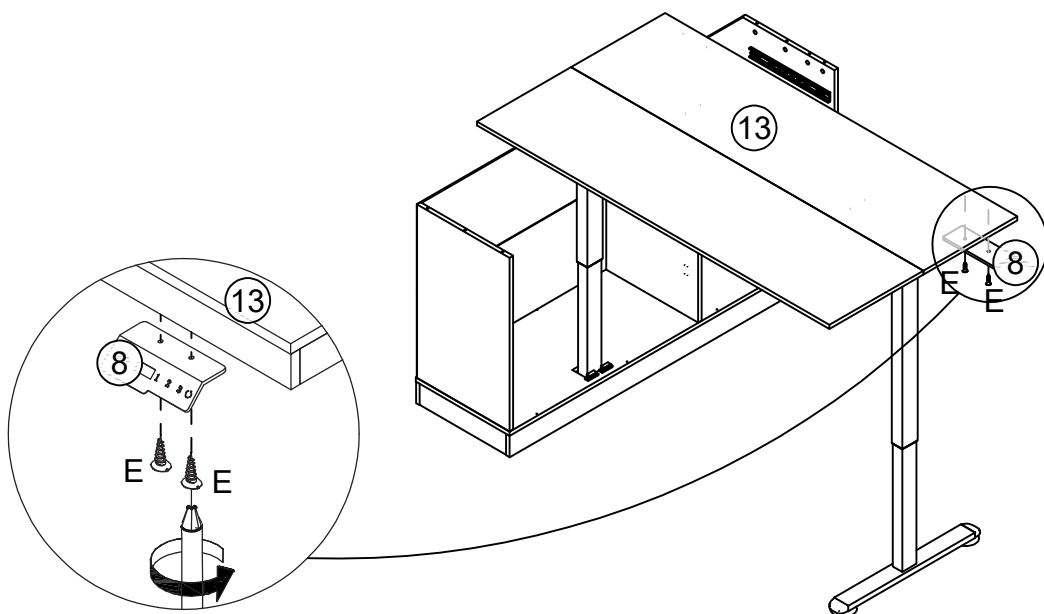
Cover board 13 and 14 to steel frame 5 and 6, fix with screw(Q) and (P) as shown.



22

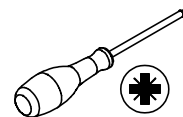
E x 2 		
--	--	---

Fix control panel 8 to board 13 with screw(E) as shown.

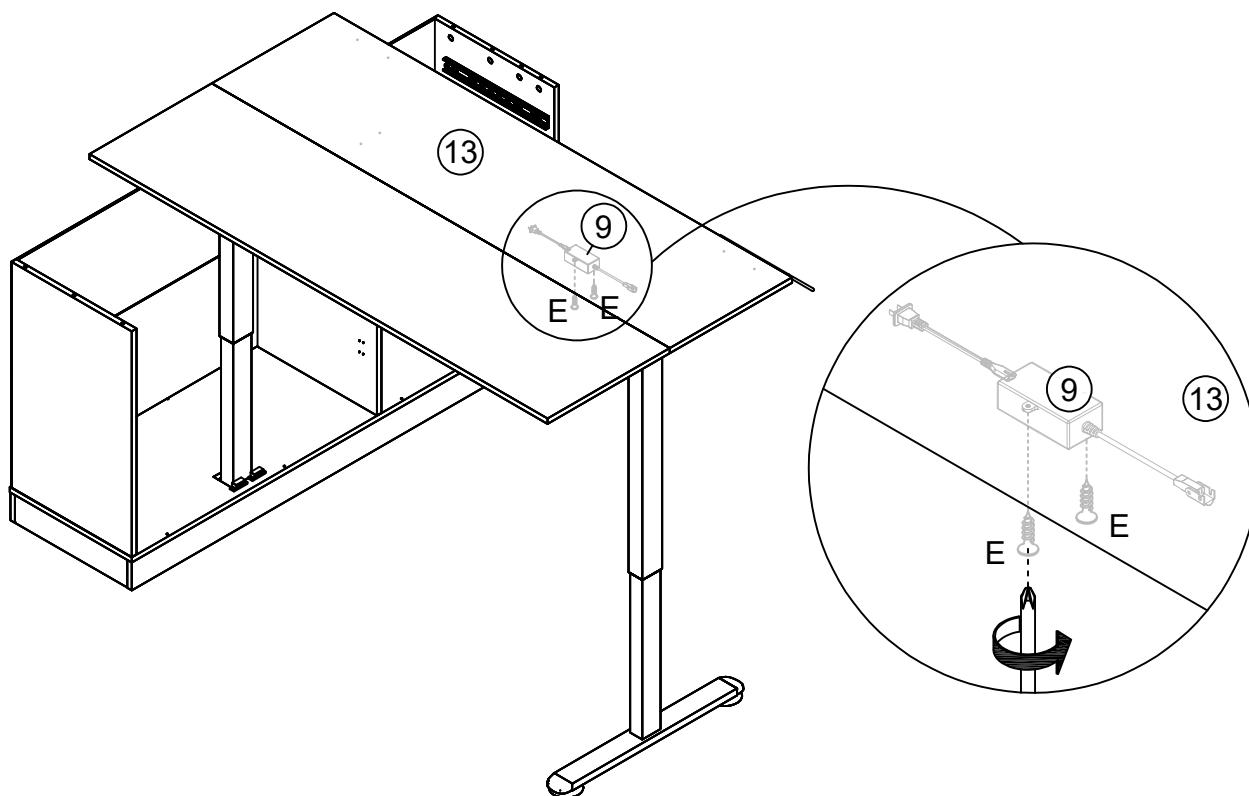


23

Ex 2

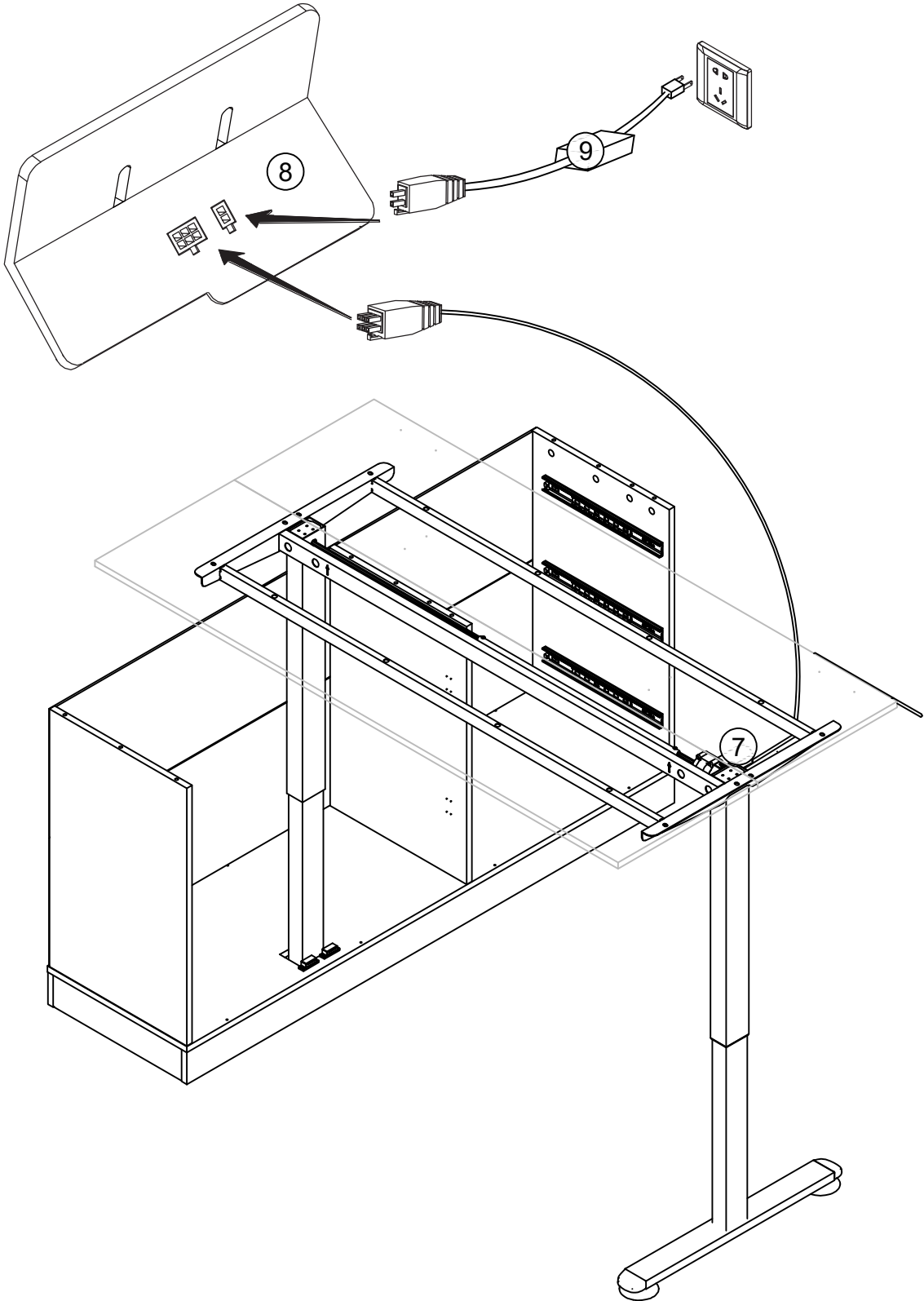


Fix plug 9 to board 13 with screw(E) as shown.



24

Connect electric machine 7 with control panel 8 and plug 9 then power on.

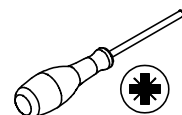


25

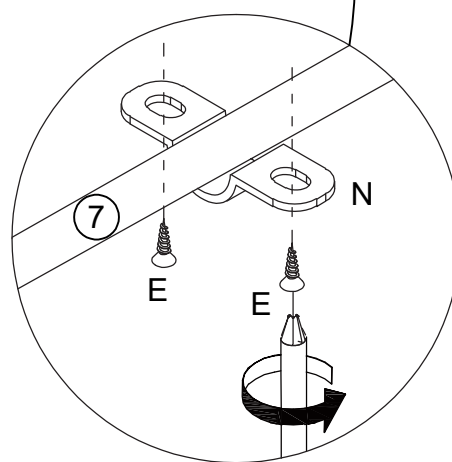
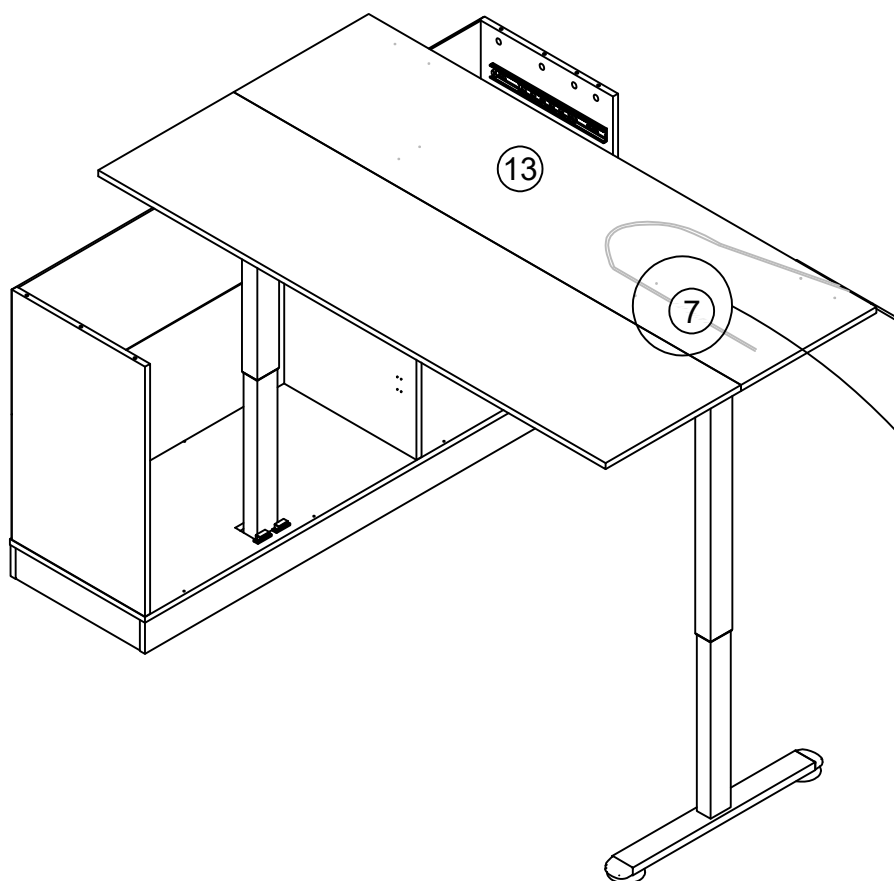
E x 8



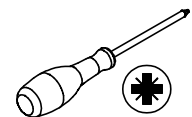
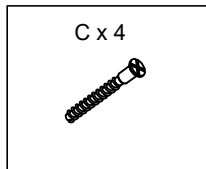
N x 4



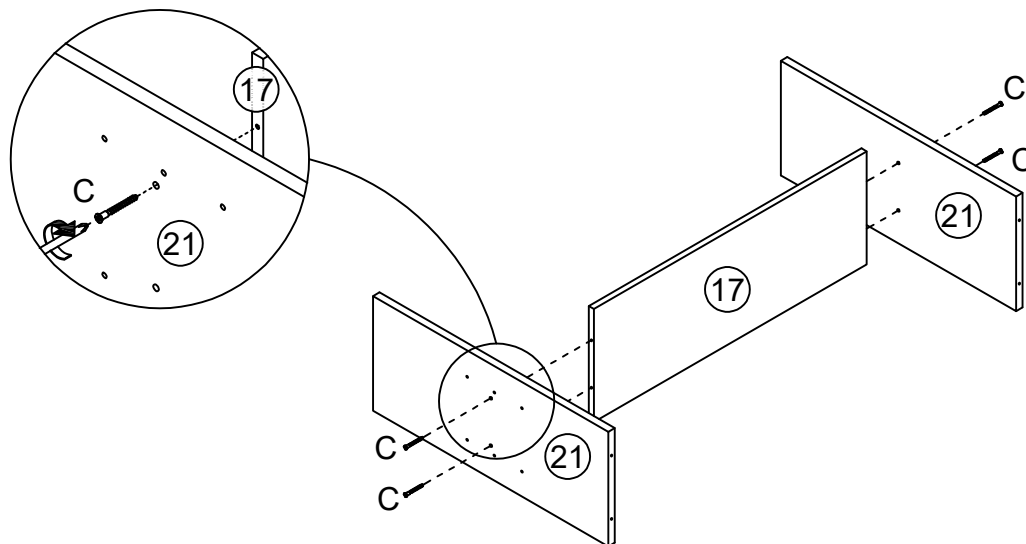
Settle wire with part(N), then fix part(N) with screw(E) as shown.



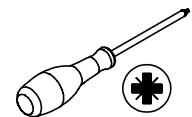
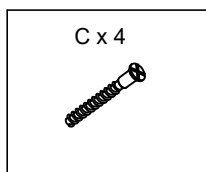
26



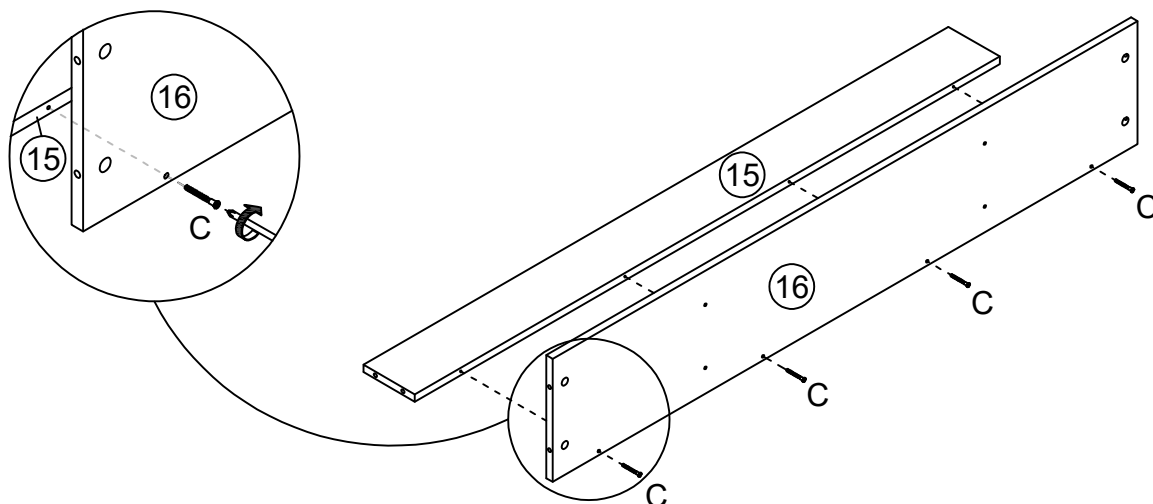
Connect board 21 to board 17 with screw(C) as shown.



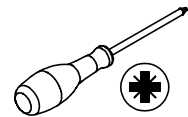
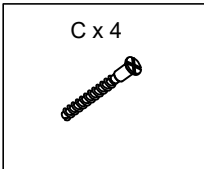
27



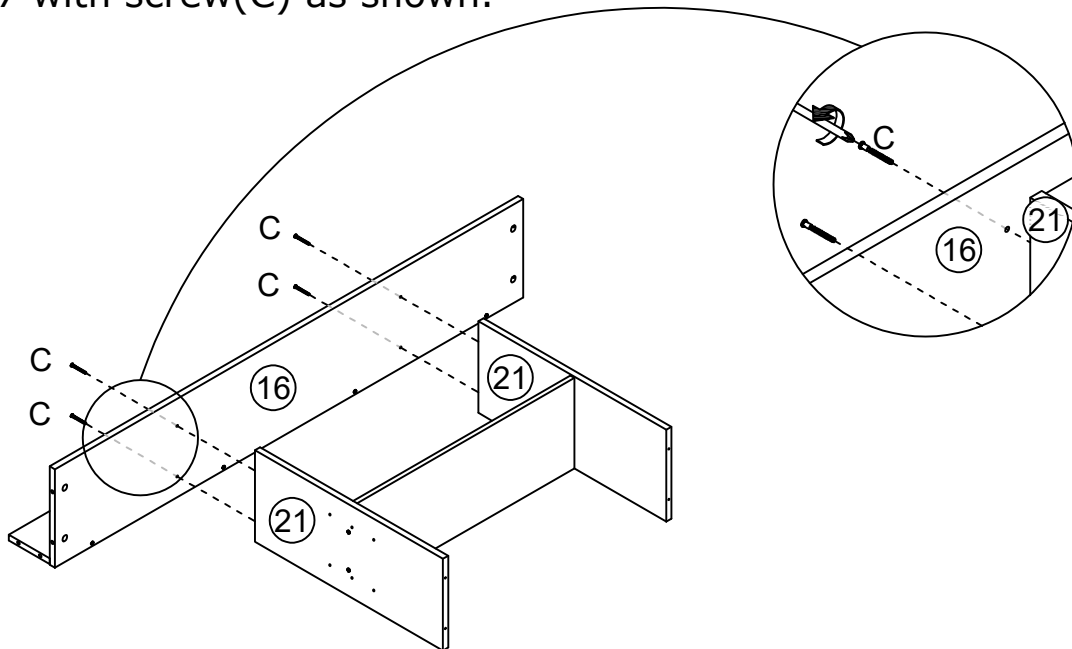
Connect board 16 to board 15 with screw(C) as shown.



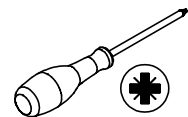
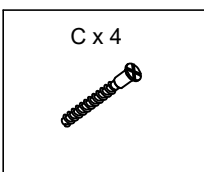
28



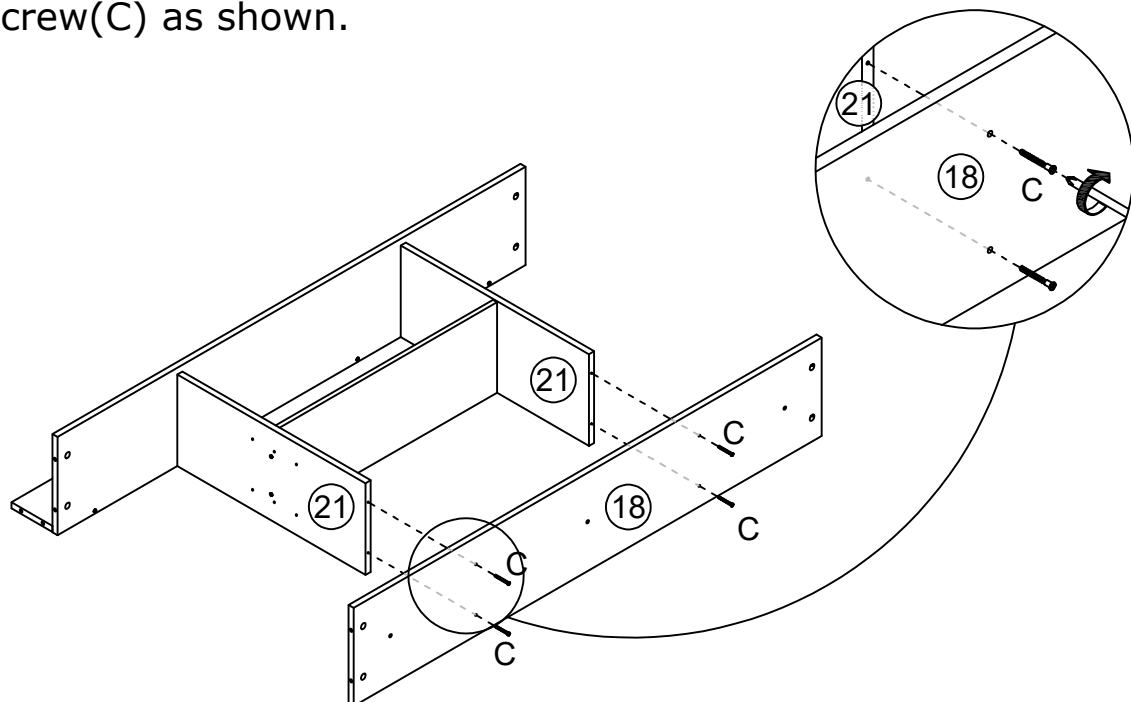
Connect the component in step 26 and step 27 with screw(C) as shown.



29



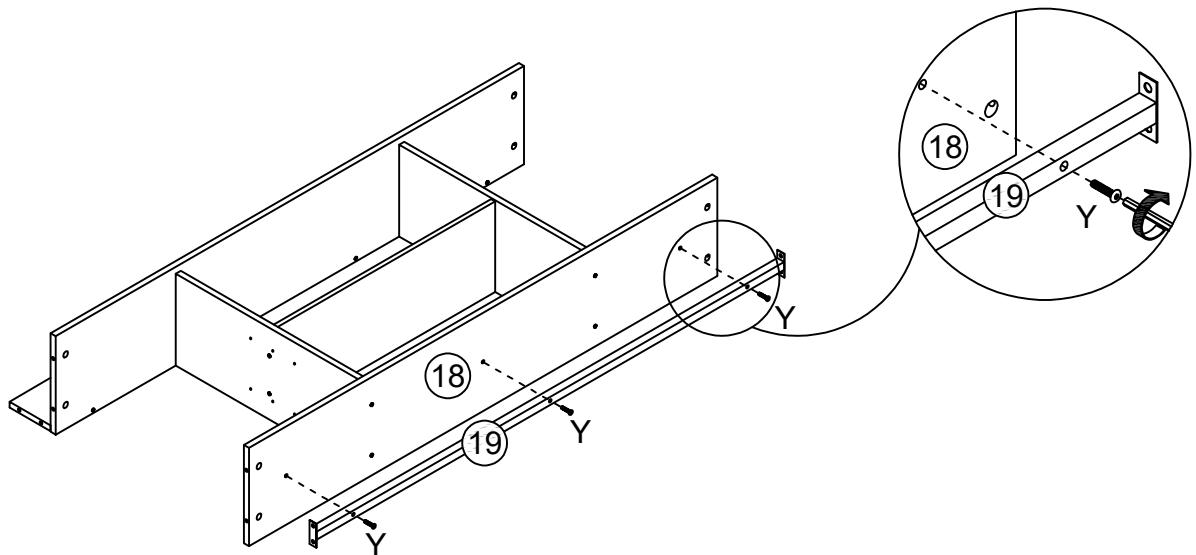
Attach board 18 to the component in step 28 using screw(C) as shown.



30



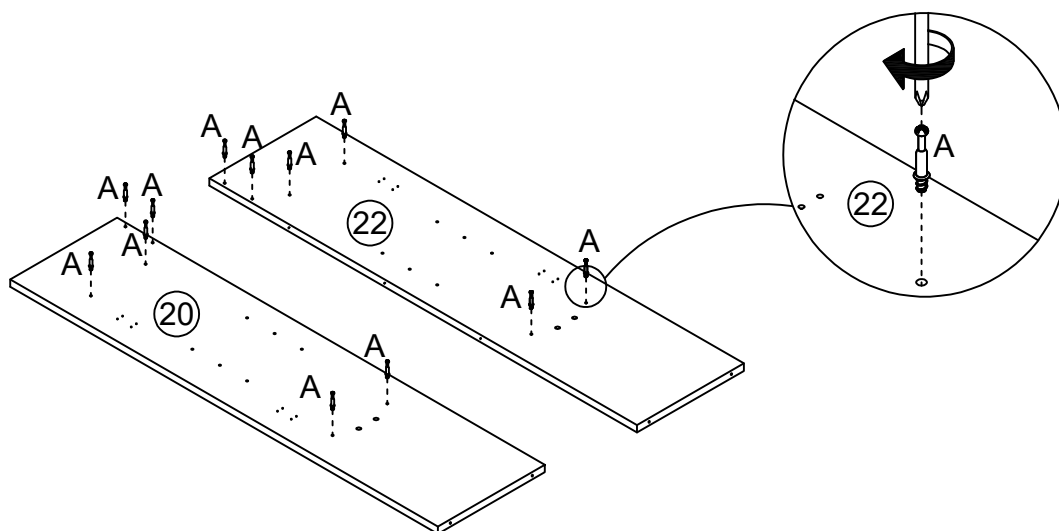
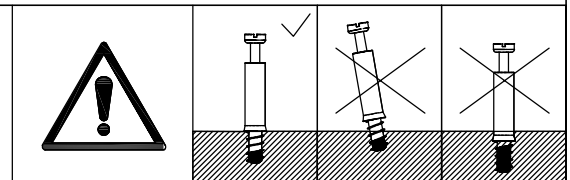
Fix steel frame 19 to board 18 with screw(Y) as shown.



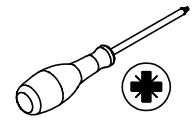
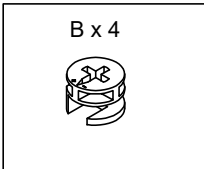
31



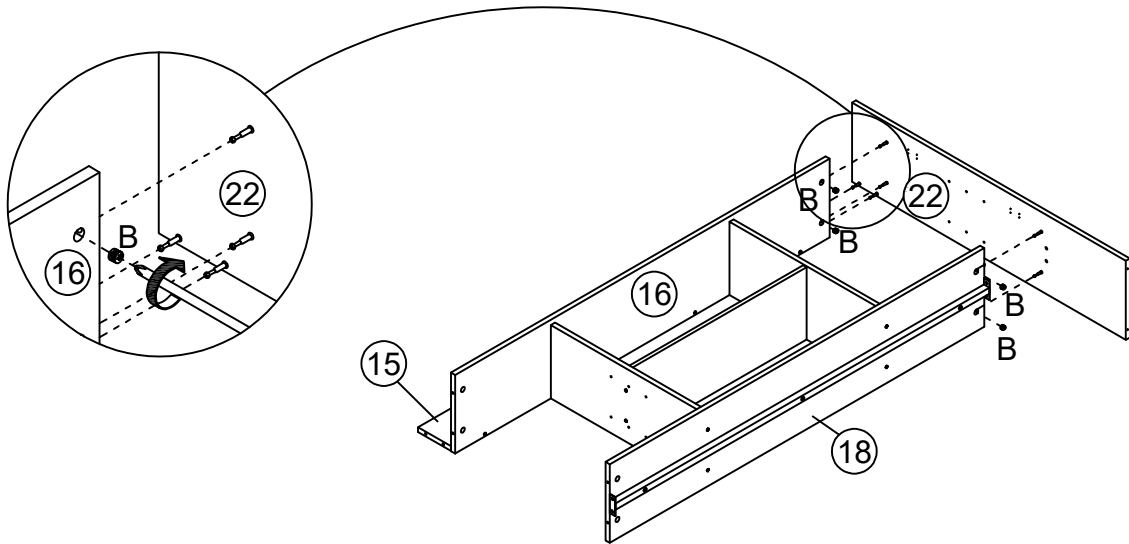
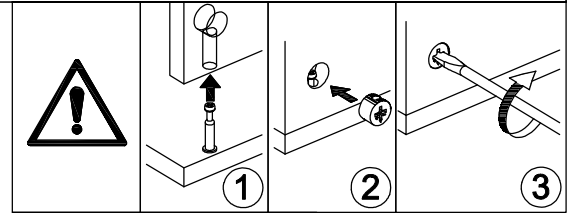
Screw eccentric rod(A) into board 20 and 22 at first.



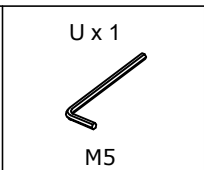
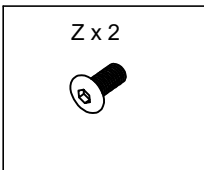
# 32



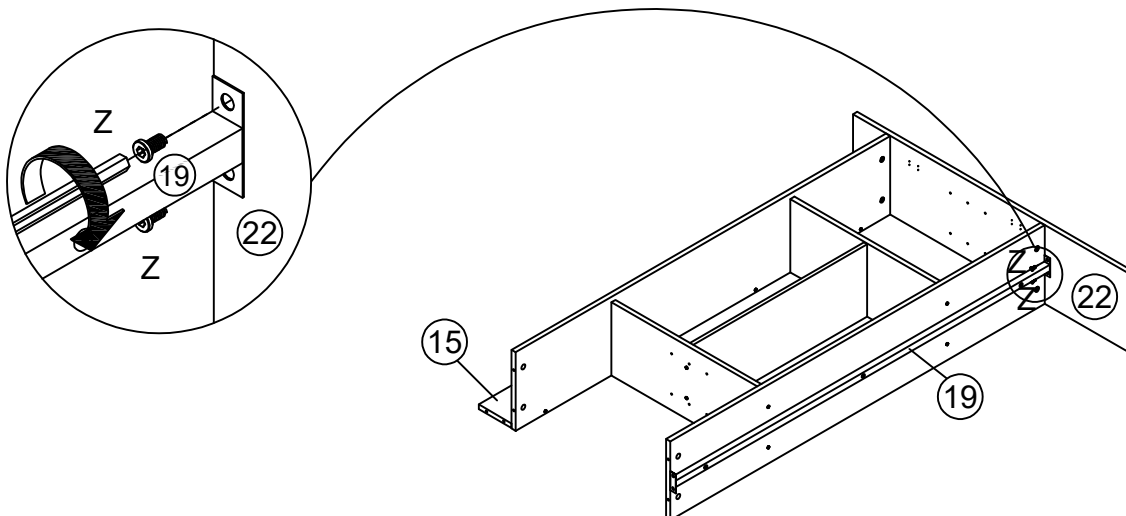
Attach board 22 to the component in step 30, add cam lock(B) into and turn clockwise to tighten as shown.



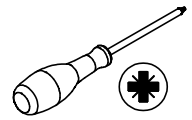
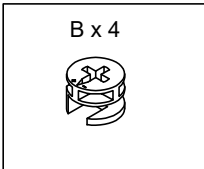
# 33



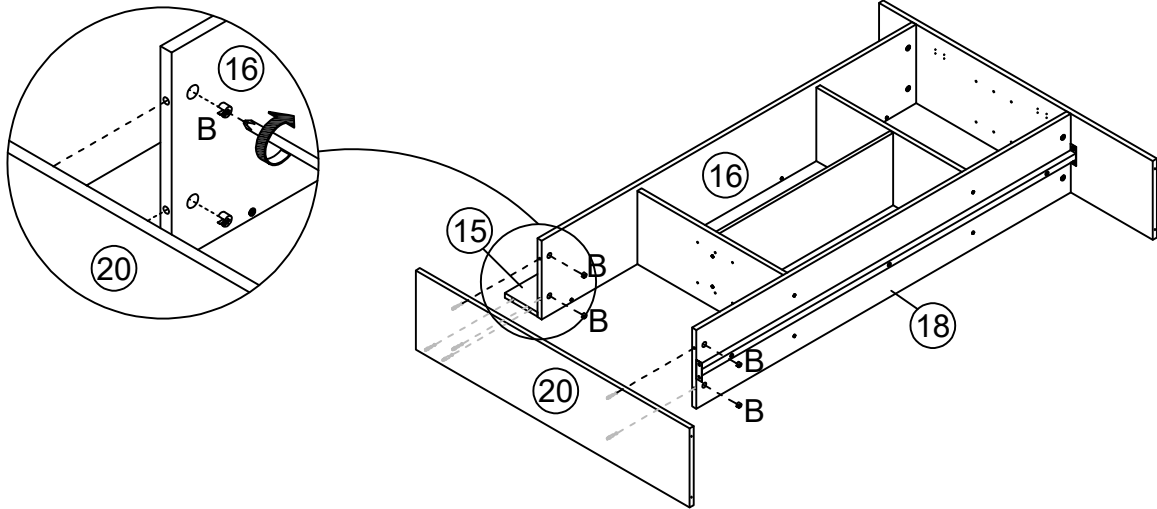
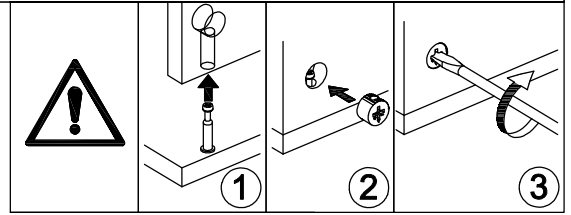
Fix steel frame 19 to board 22 with screw(Z) as shown.



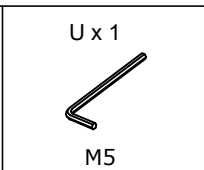
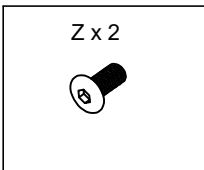
# 34



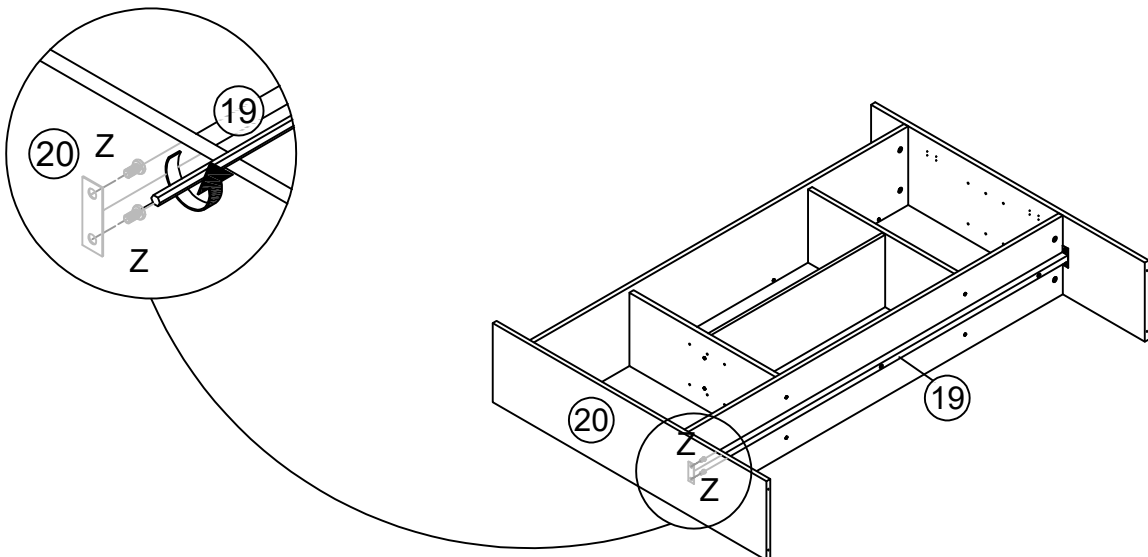
Attach board 20 to the component in step 33, add cam lock(B) into and turn clockwise to tighten as shown.



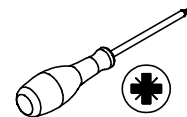
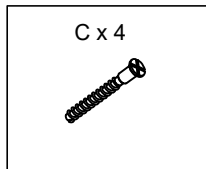
# 35



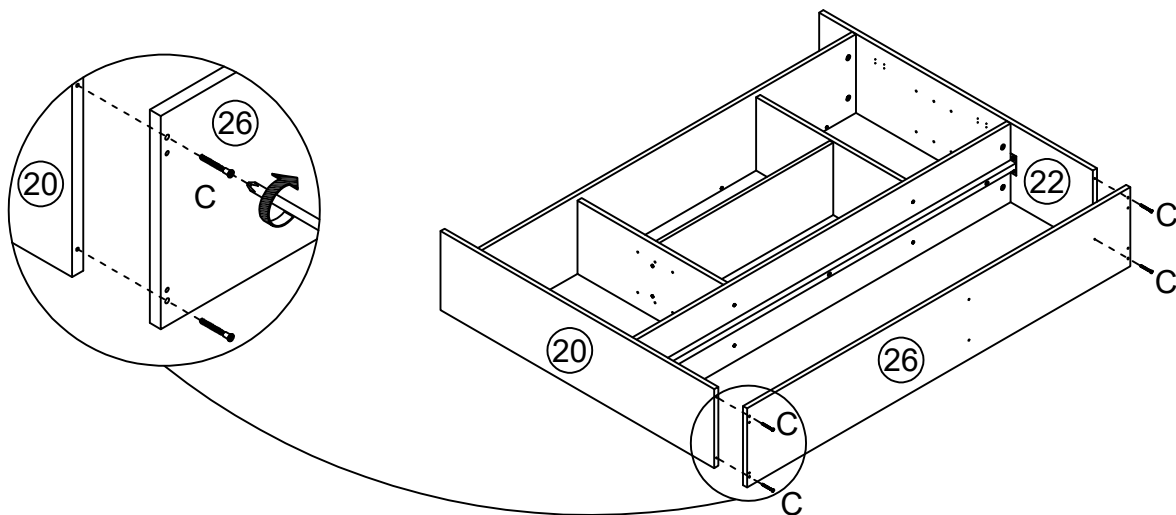
Fix steel frame 19 to board 20 with screw(Z) as shown.



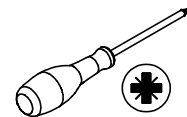
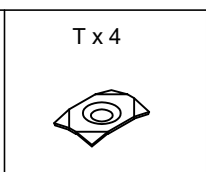
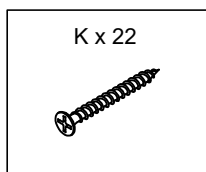
# 36



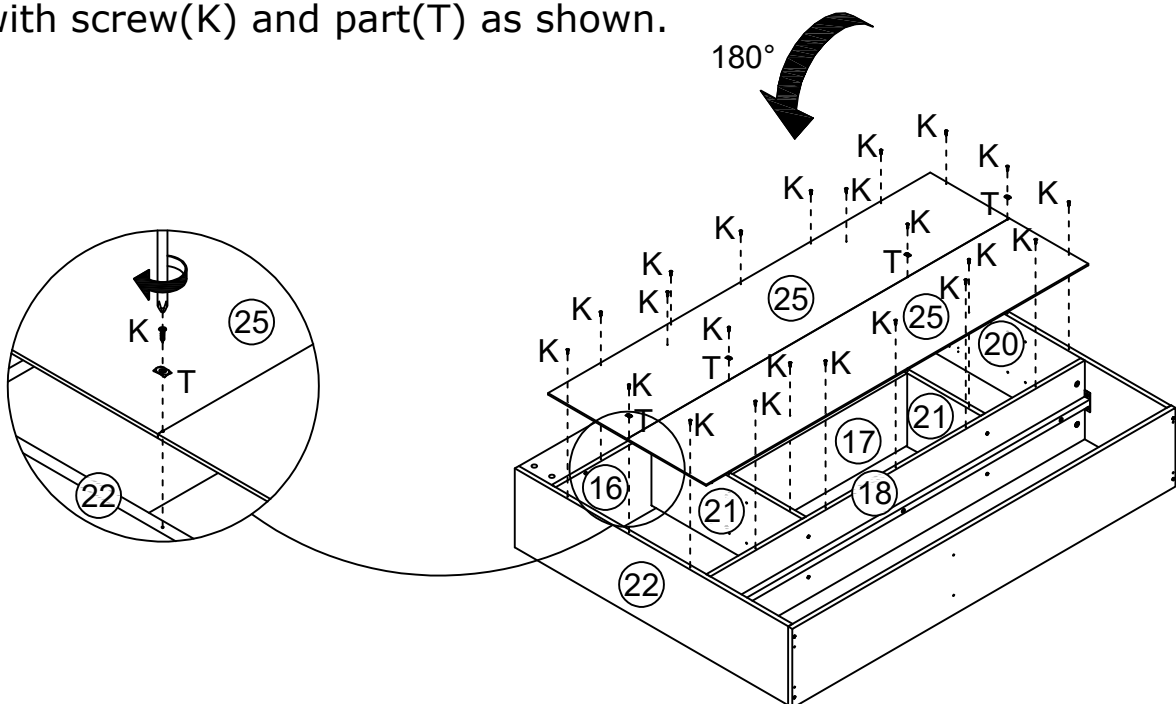
Attach board 26 to the component in step 35 using screw(C) as shown.



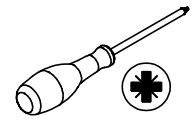
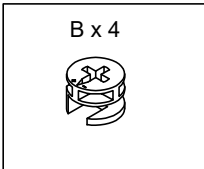
# 37



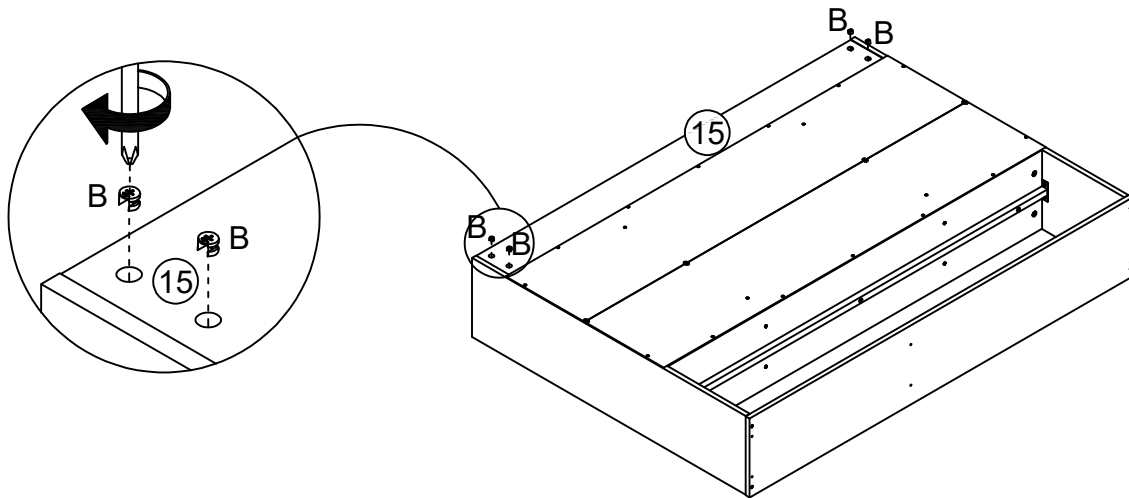
Fix board 25 to the component in last step with screw(K) and part(T) as shown.



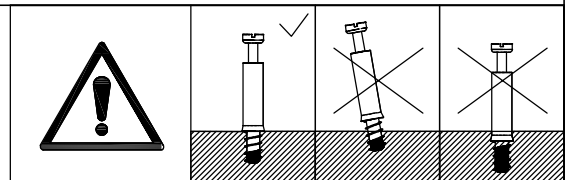
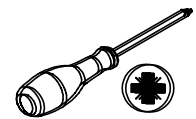
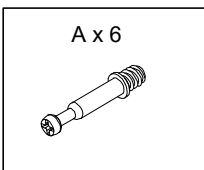
38



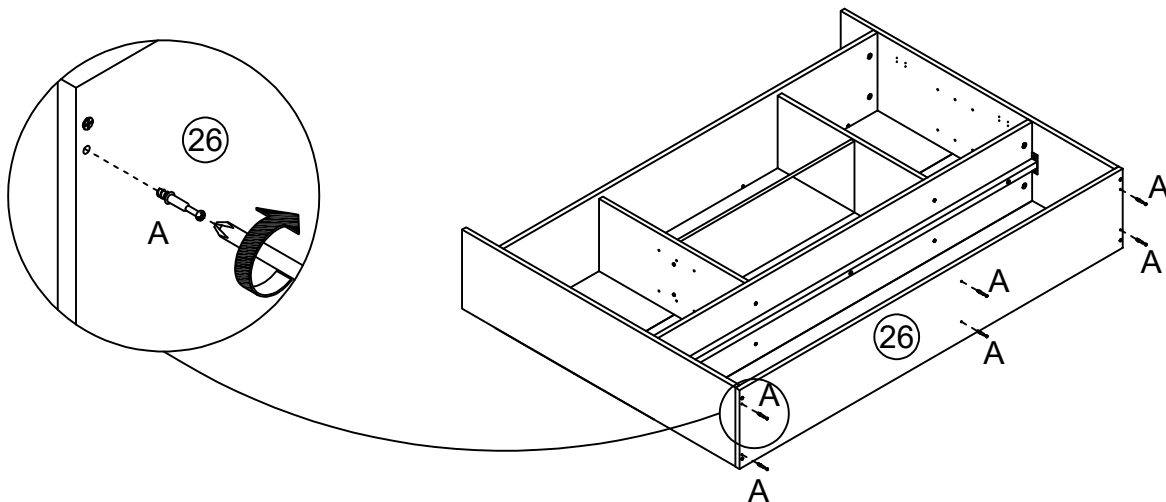
Add cam lock(B) into board 15 and turn clockwise to tighten as shown.



39

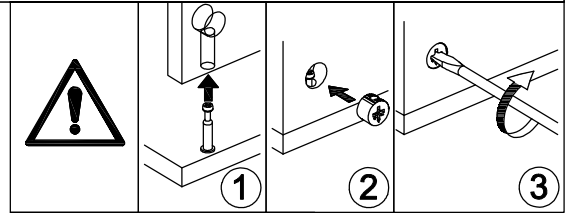
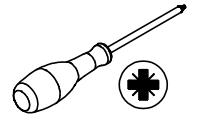


Screw eccentric rod(A) into board 26 at first.

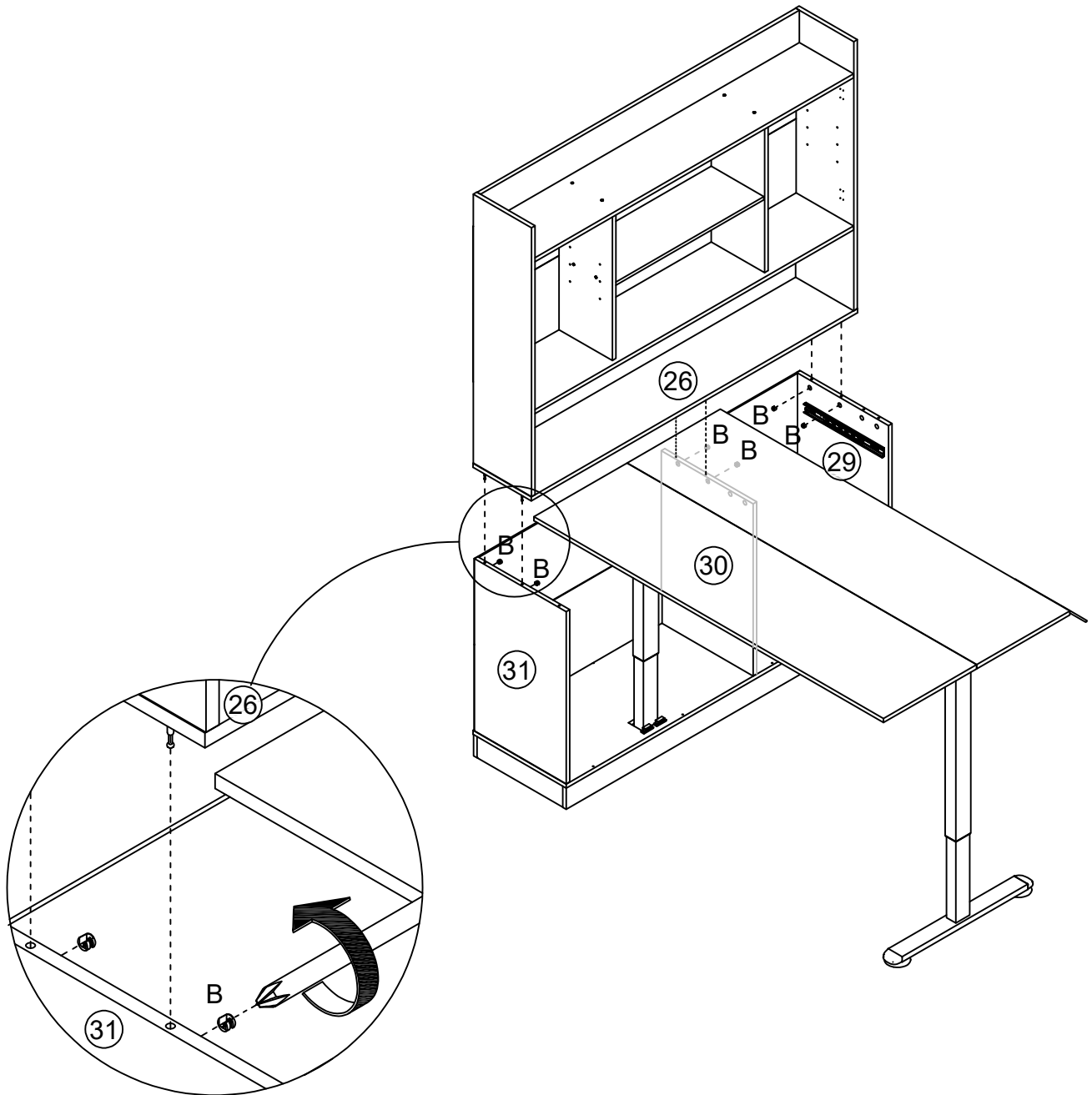


40

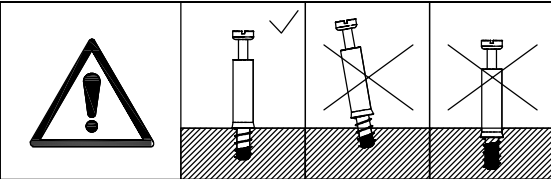
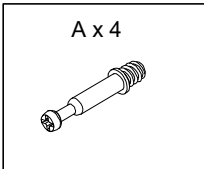
B x 6



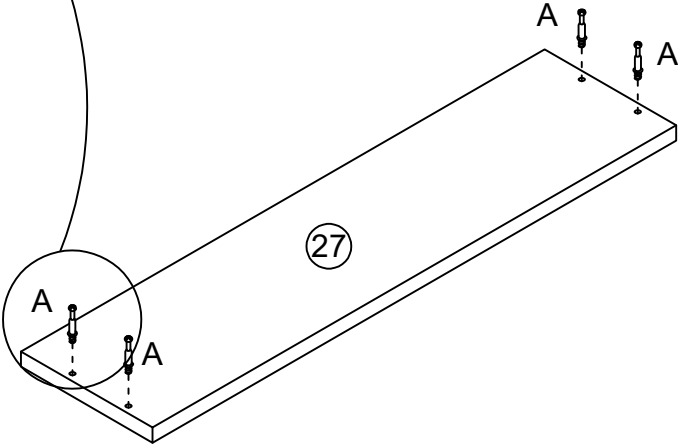
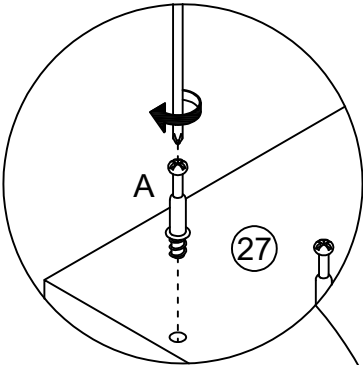
Assemble the component in step 39 with step 25, add cam lock(B) into and turn clockwise to tighten as shown.



41

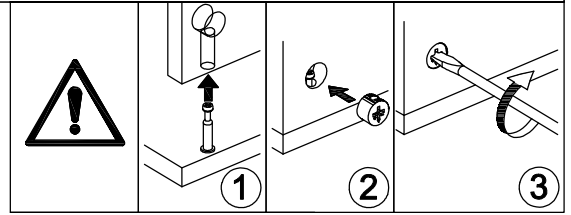
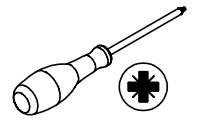


Screw eccentric rod(A) into board 27 at first.

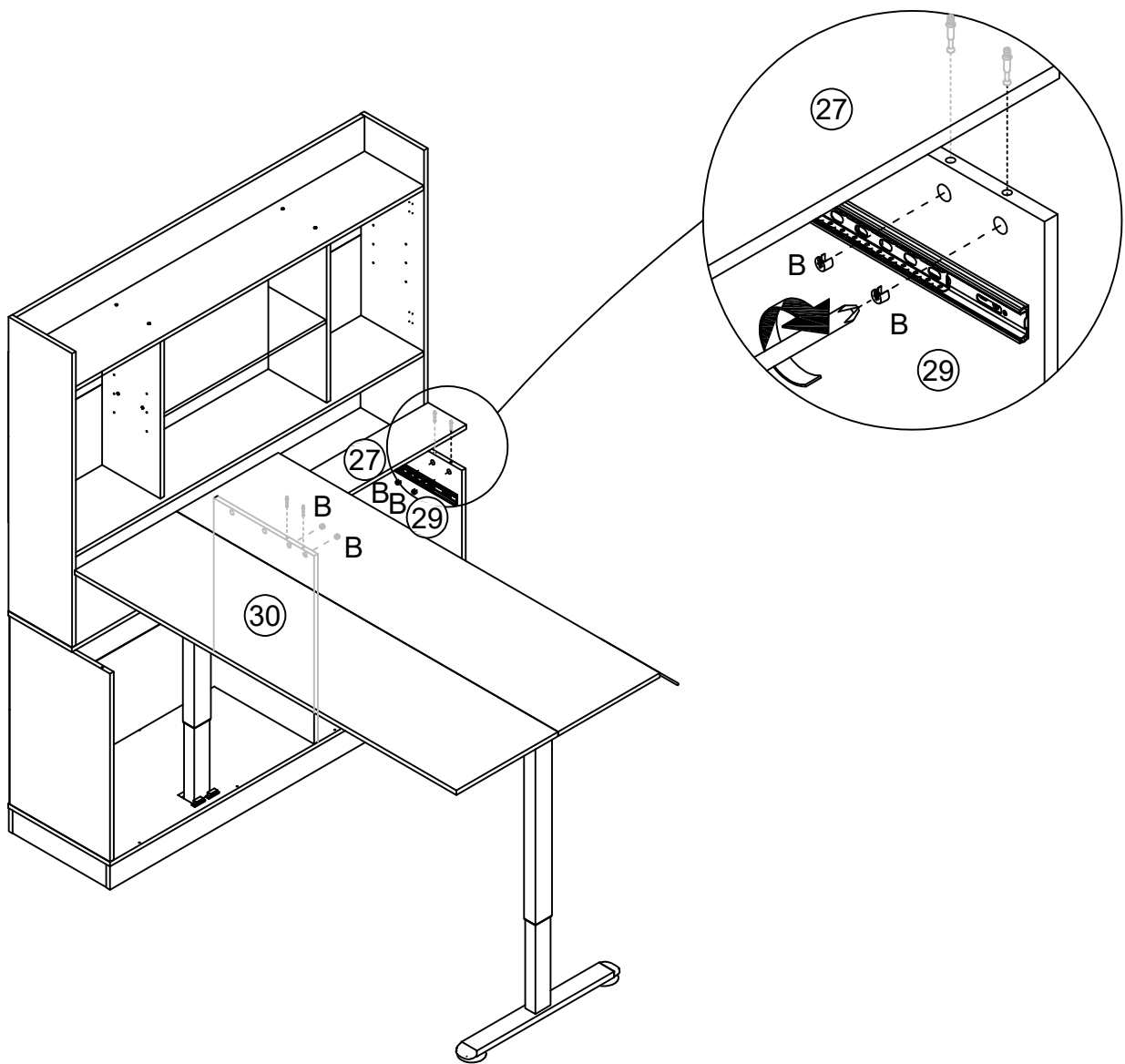


42

B x 4



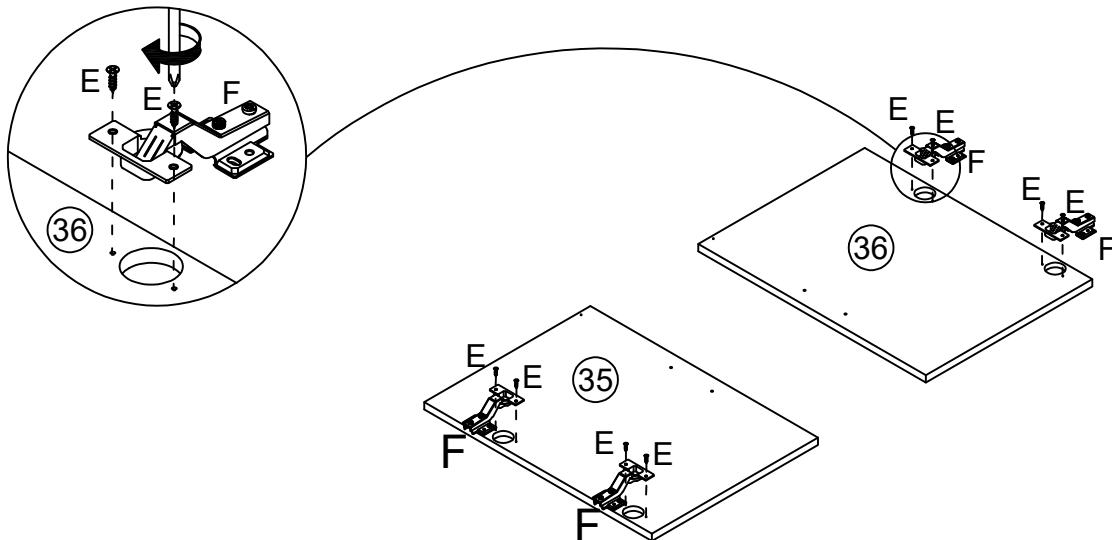
Connect board 27 to board 29 and 30, add cam lock(B) into and turn clockwise to tighten as shown.



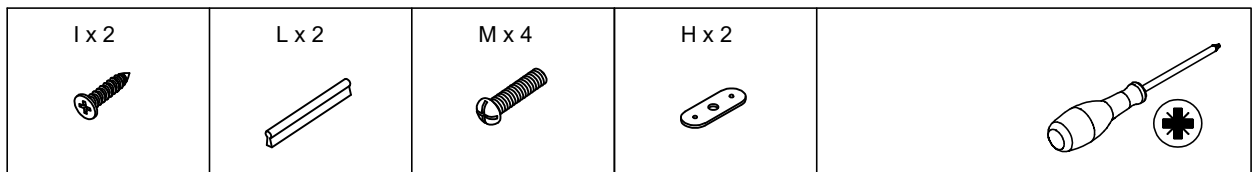
43



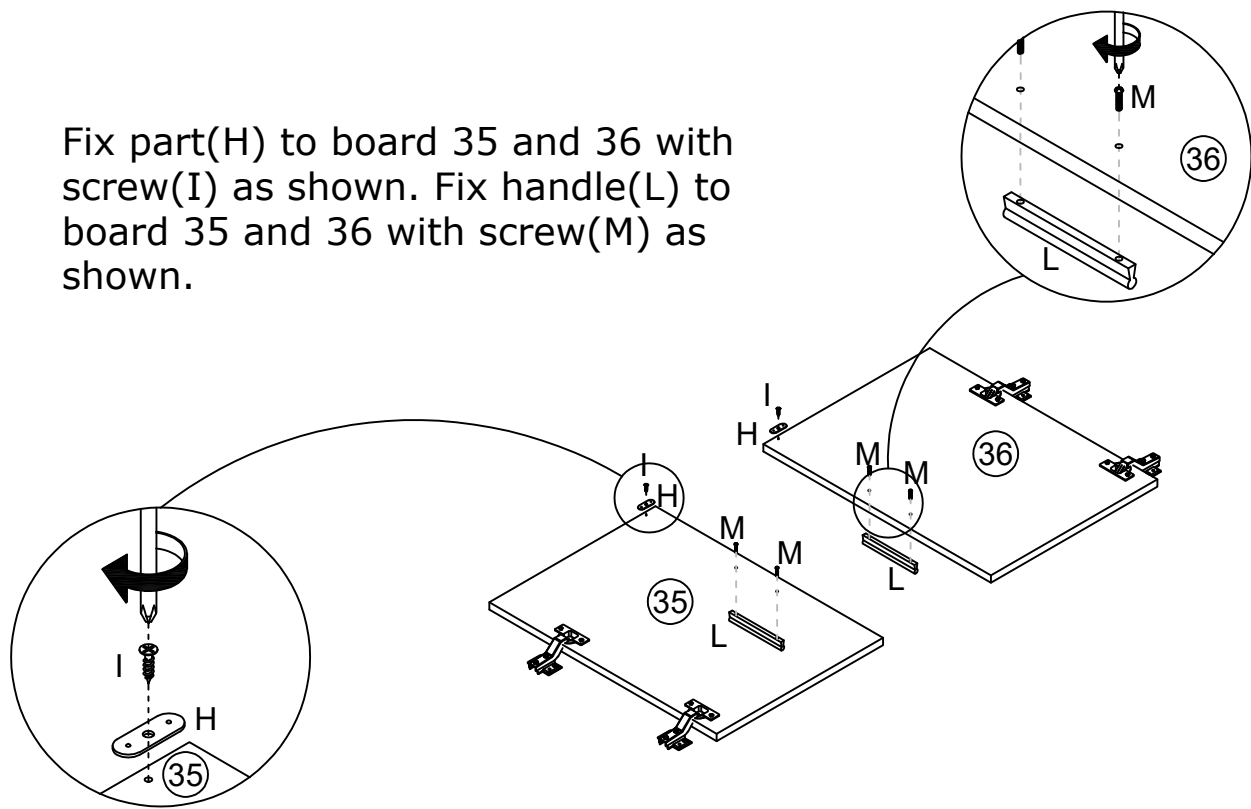
Fix hinge(F) to board 35 and 36 with screw(E) as shown.



44



Fix part(H) to board 35 and 36 with screw(I) as shown. Fix handle(L) to board 35 and 36 with screw(M) as shown.

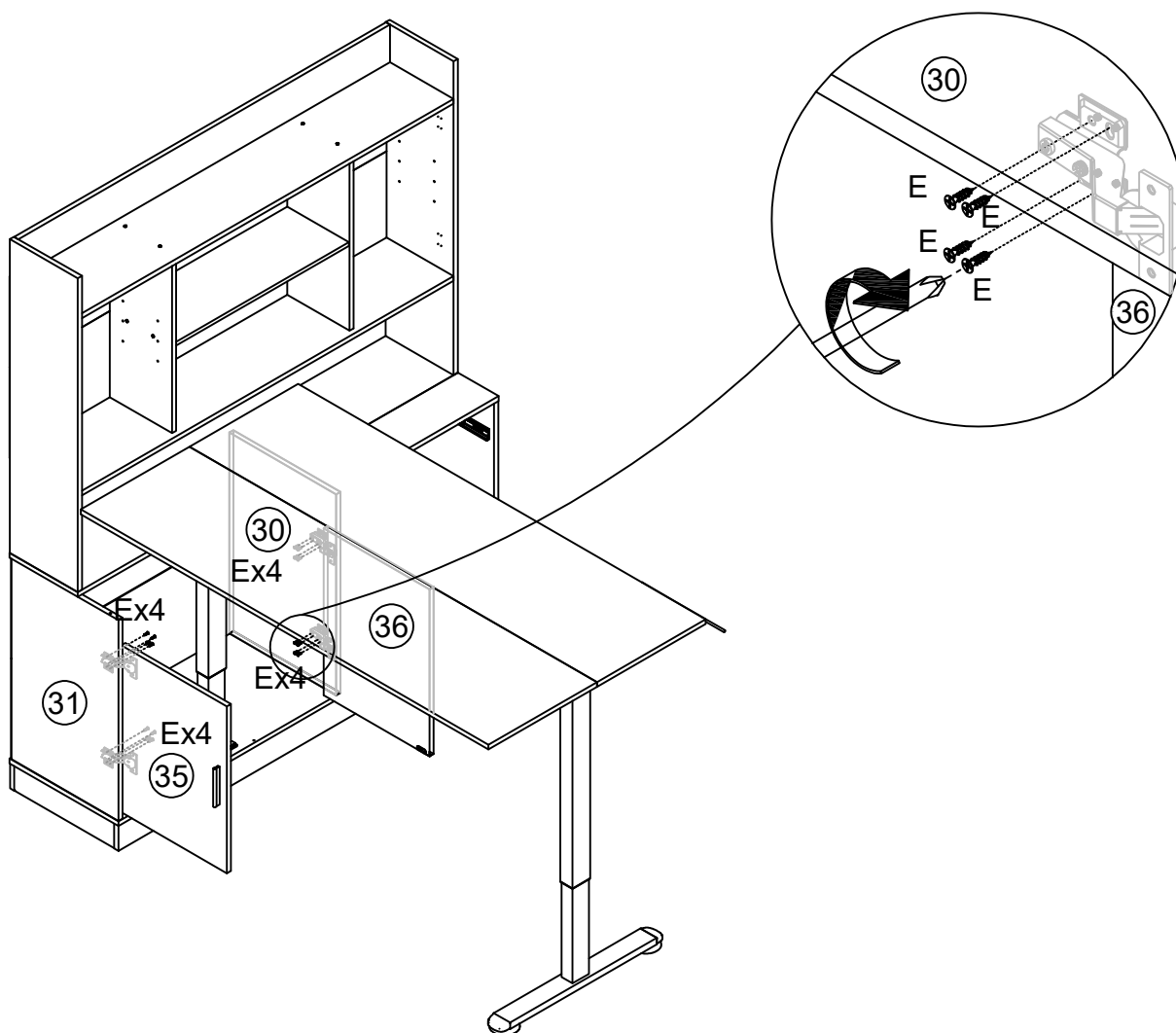


45

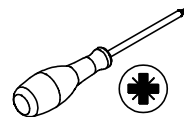
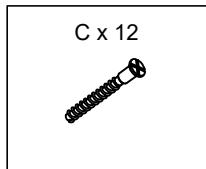
Ex 16



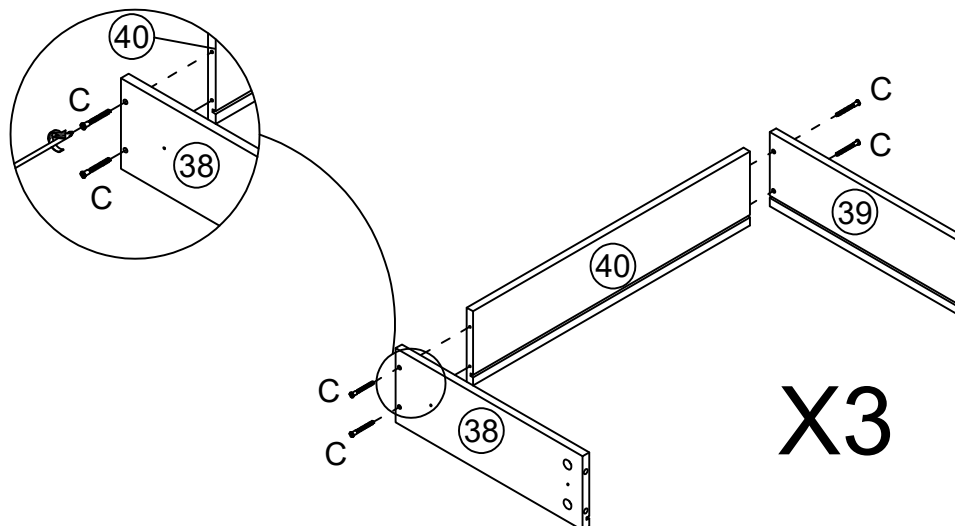
Assemble door 35 and 36 to main cabinet with screw(E) as shown.



46



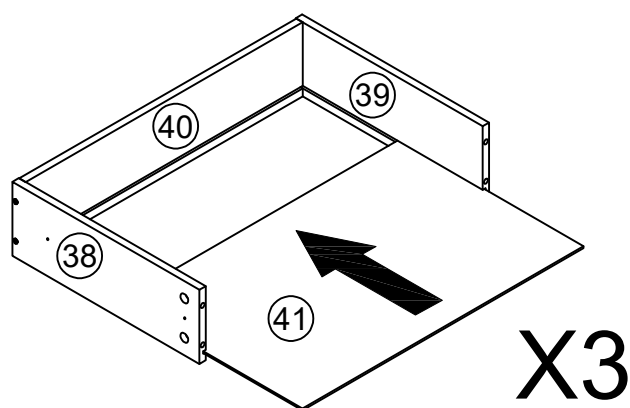
Connect board 38 and 39 to board 40 with screw(C) as shown.



47



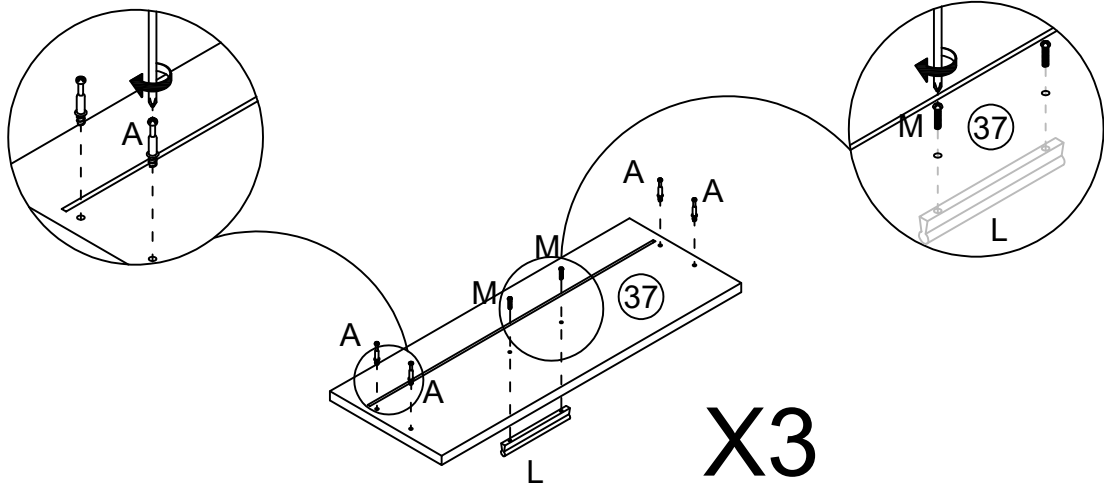
Slide board 41 into grooves as shown.



# 48



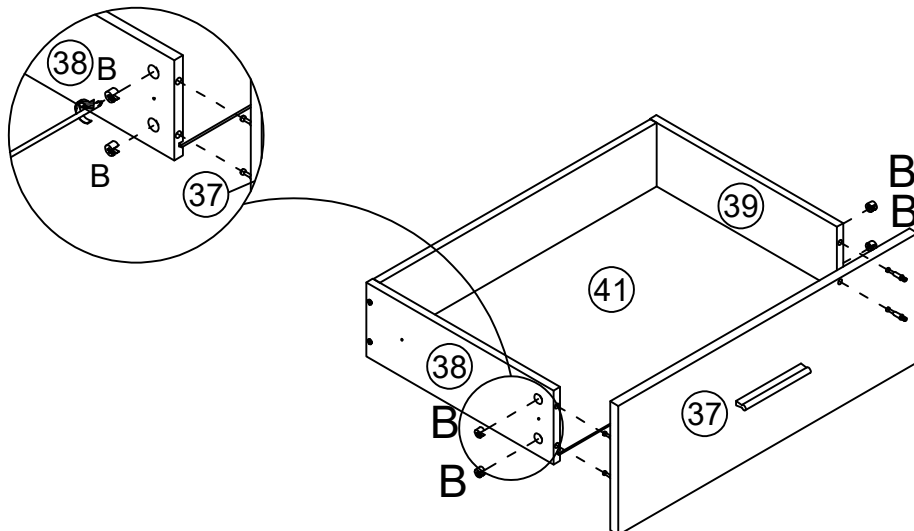
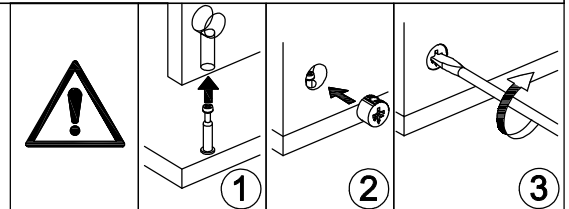
Screw eccentric rod(A) into board 37 at first.  
Fix handle(L) to board 37 with screw(M) as shown.



# 49

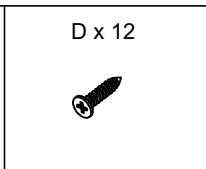
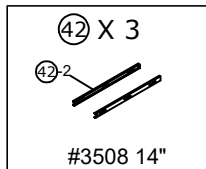


Assemble board 37 to the drawer, add cam lock(B) into and turn clockwise to tighten as shown.

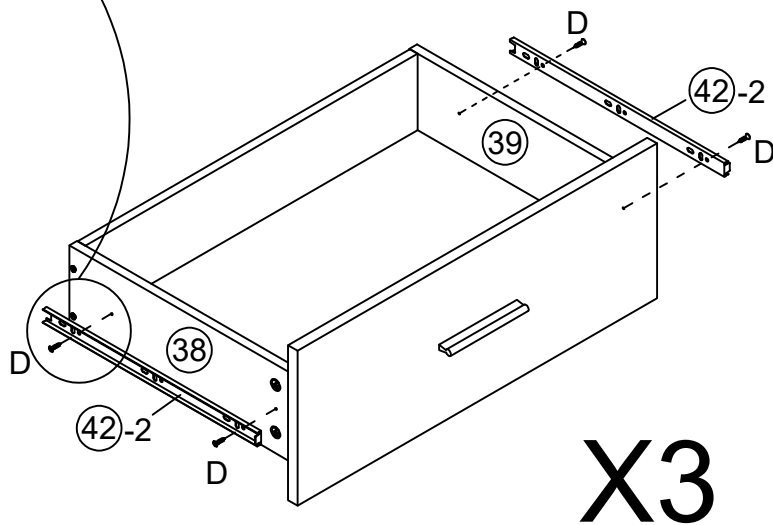
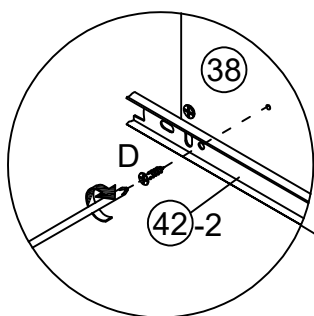


**X3**

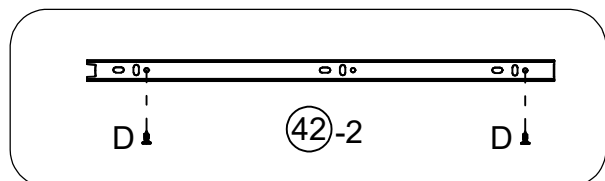
50



Fix rail 42(42-2) to board 38 and board 39 with screw(D) as shown.

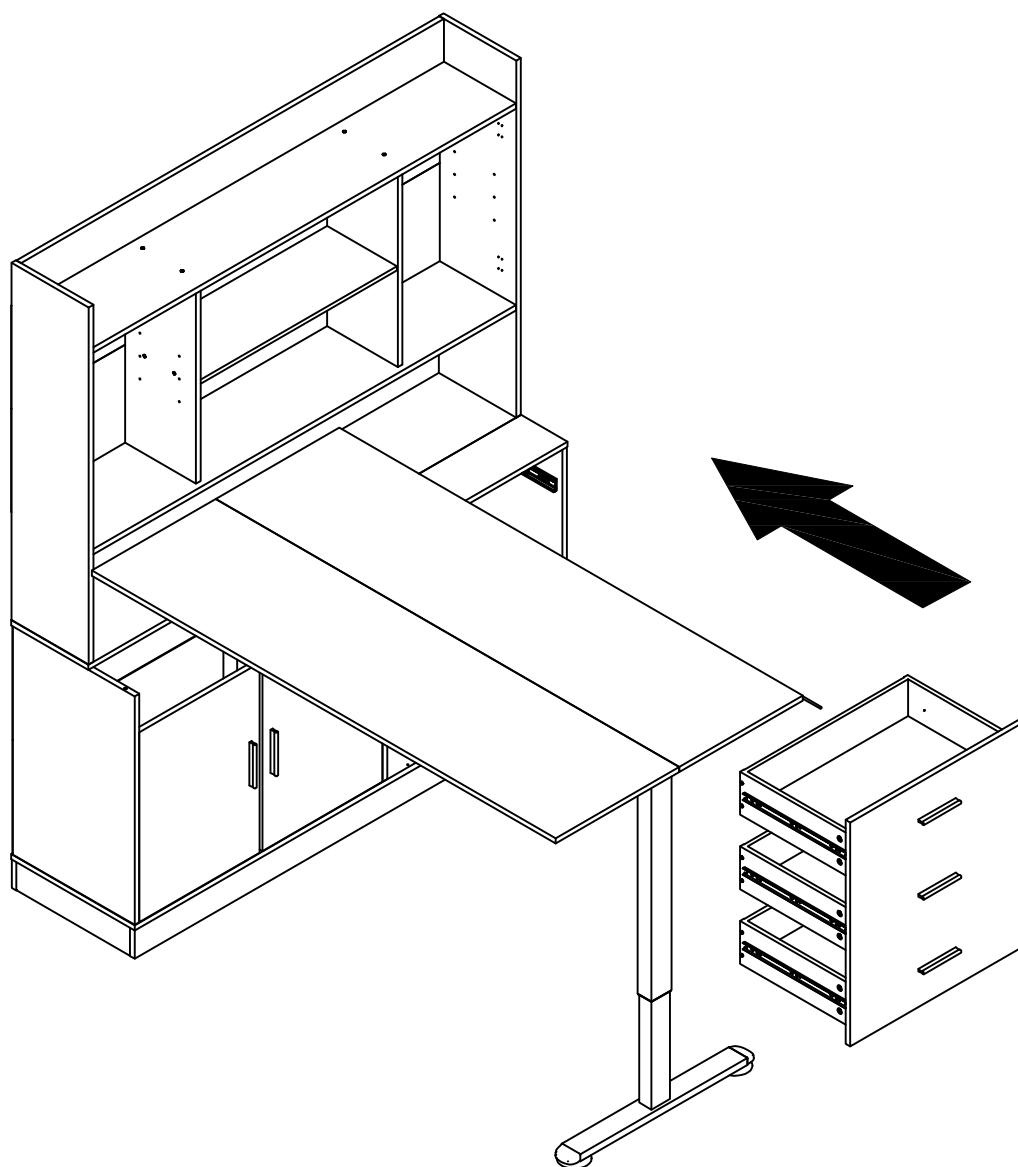


X3



51

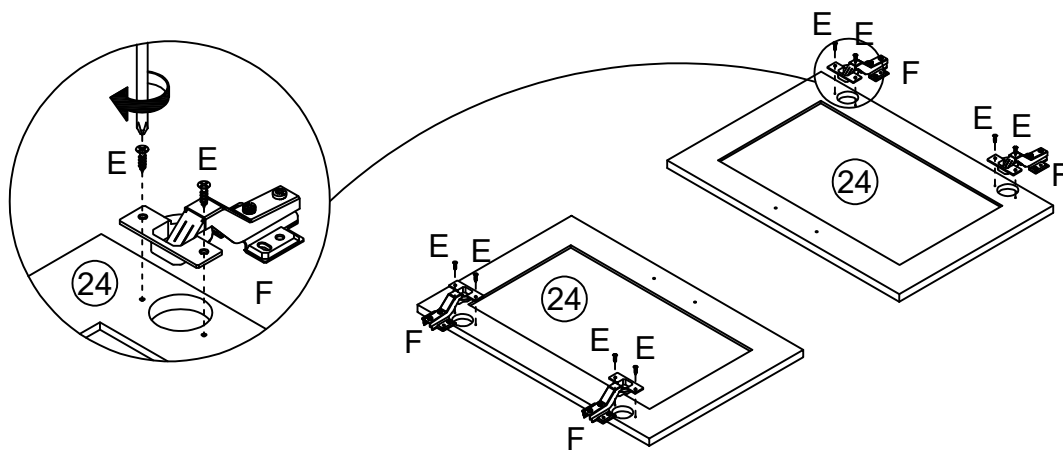
Align rails, slide all drawers in.



52



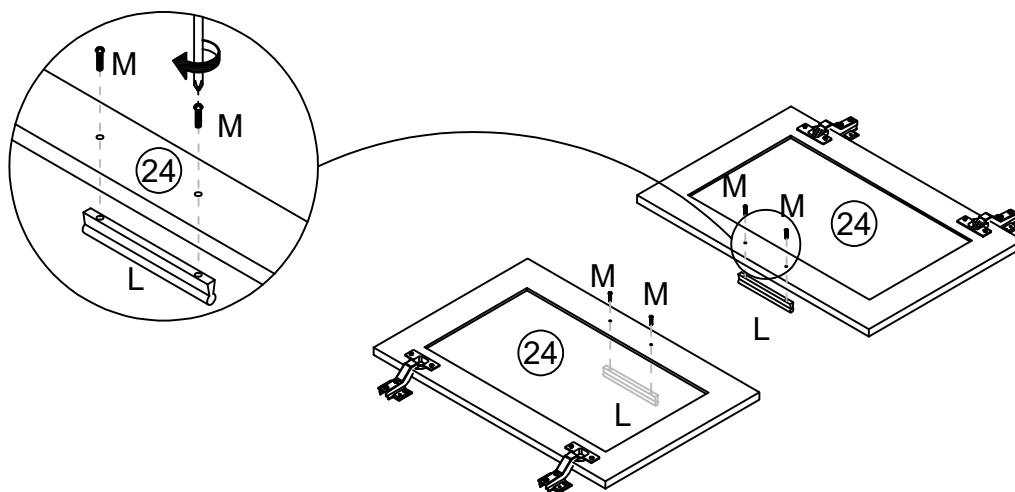
Fix hinge(F) to board 24 with screw(E) as shown.



53

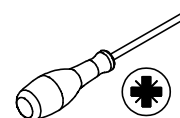


Fix handle(L) to board 24 with screw(M) as shown.

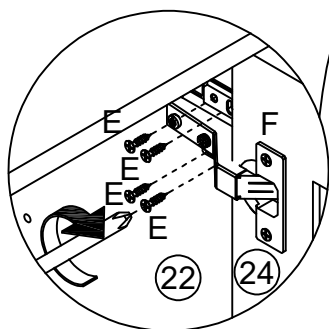
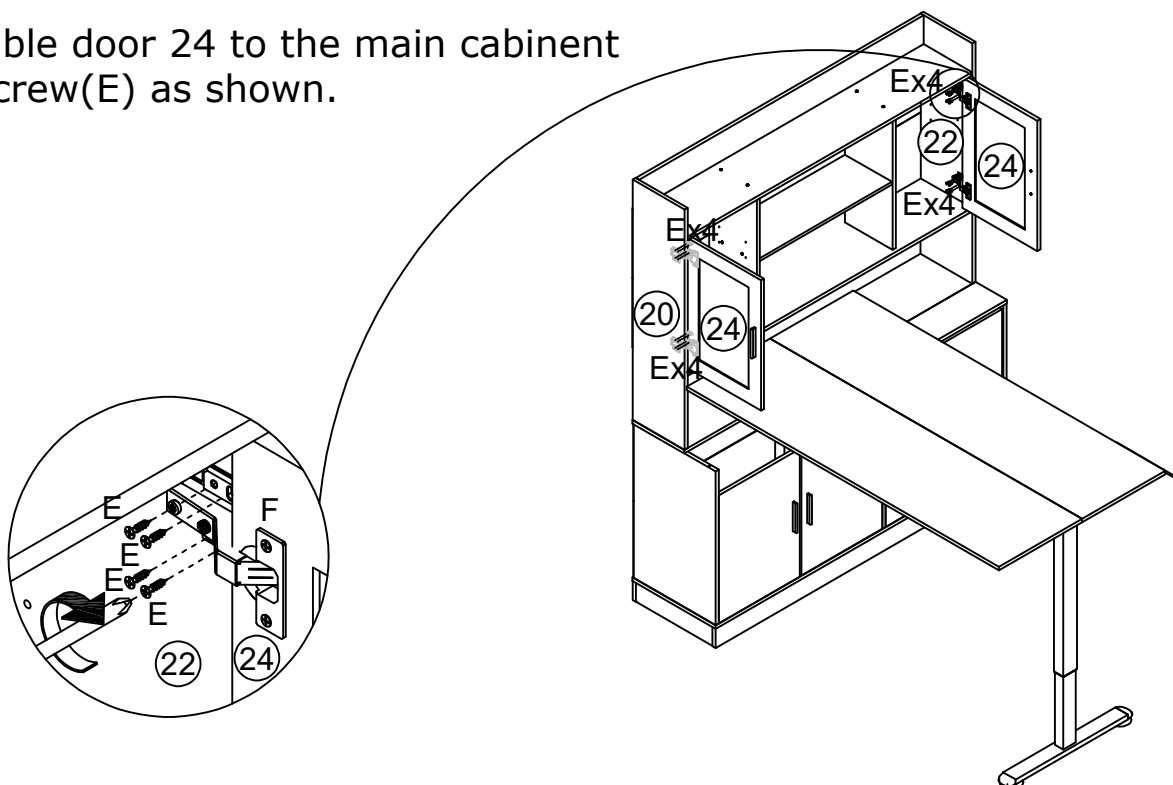


# 54

E x 16



Assemble door 24 to the main cabinet with screw(E) as shown.

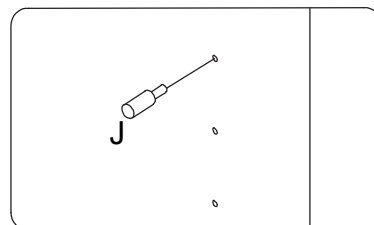
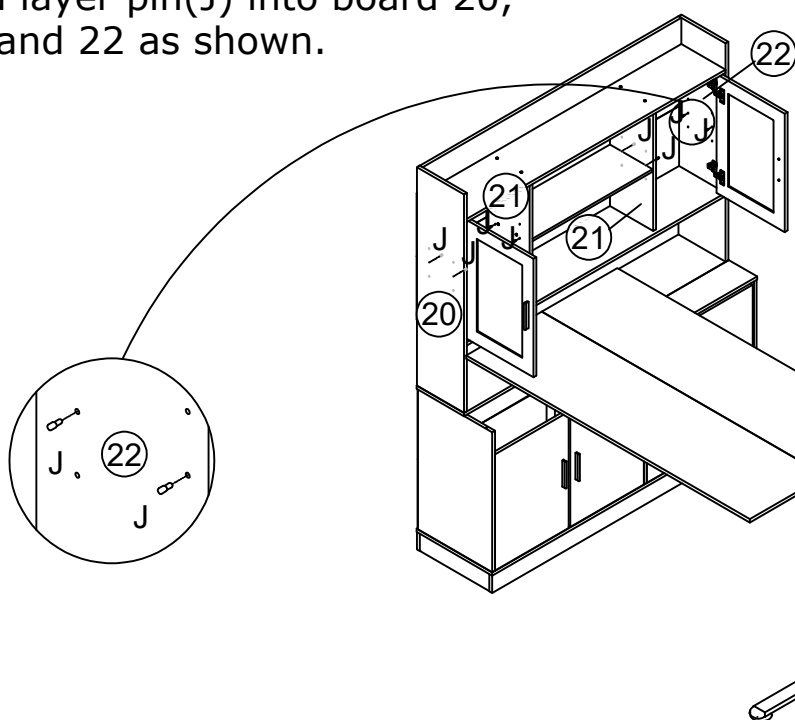


# 55

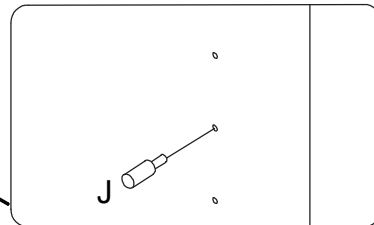
J x 8



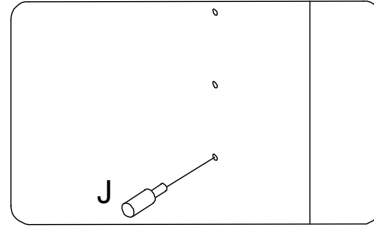
Add layer pin(J) into board 20, 21 and 22 as shown.



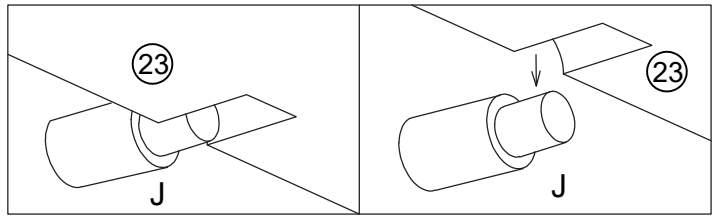
OR



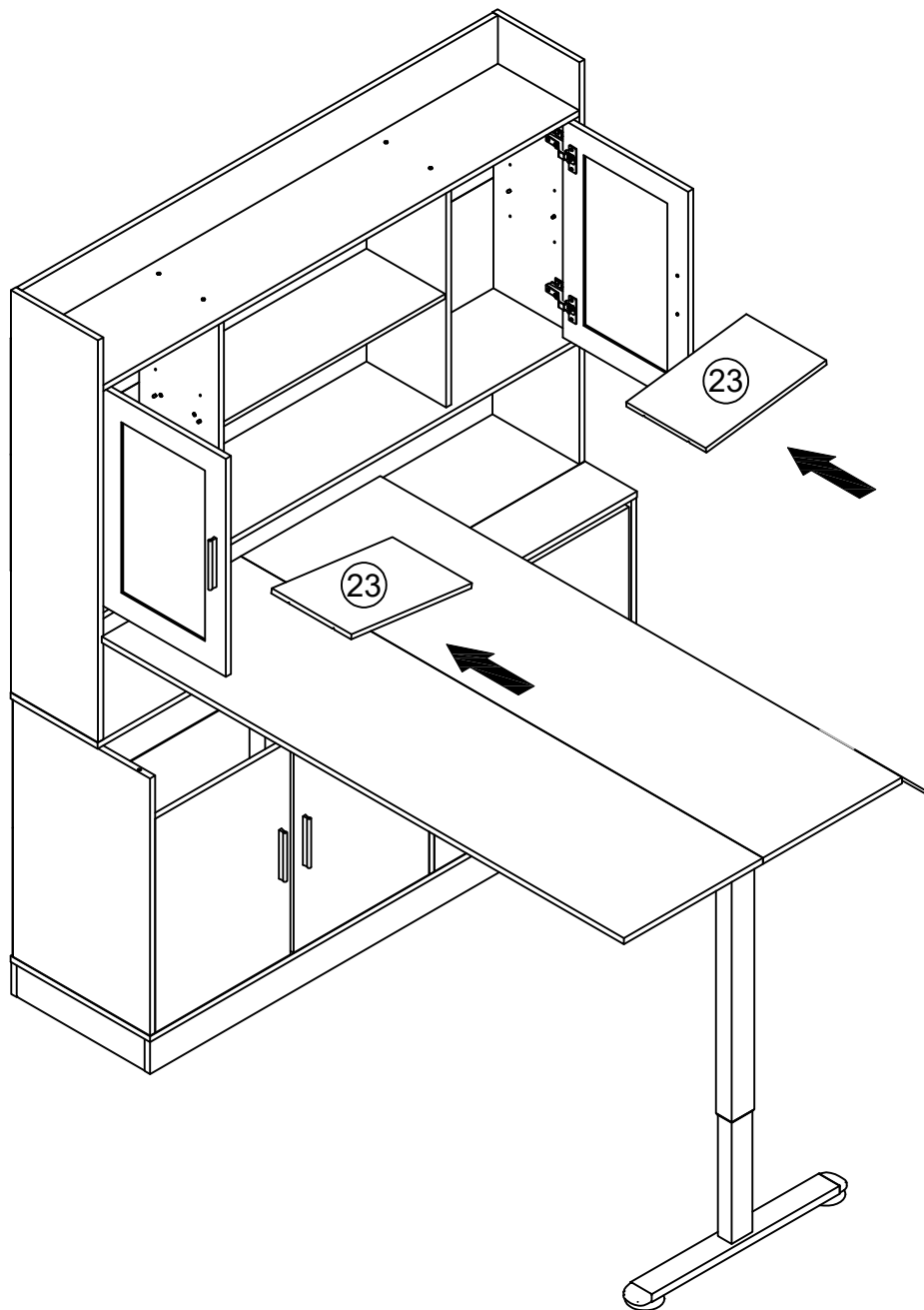
OR



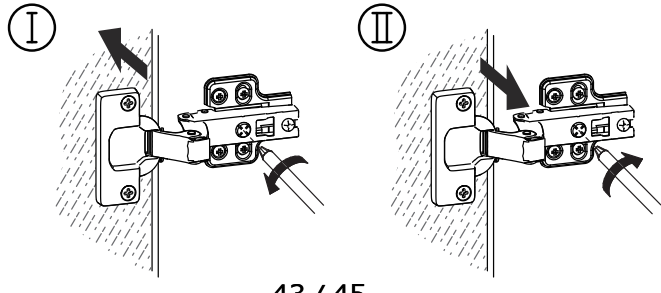
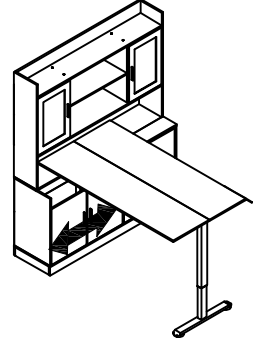
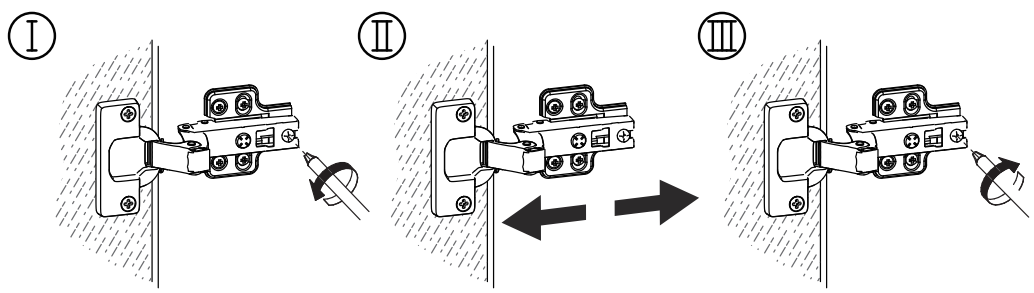
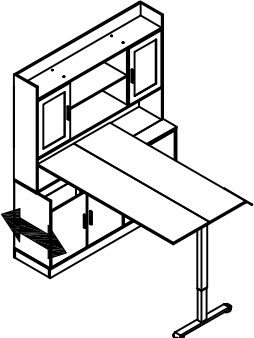
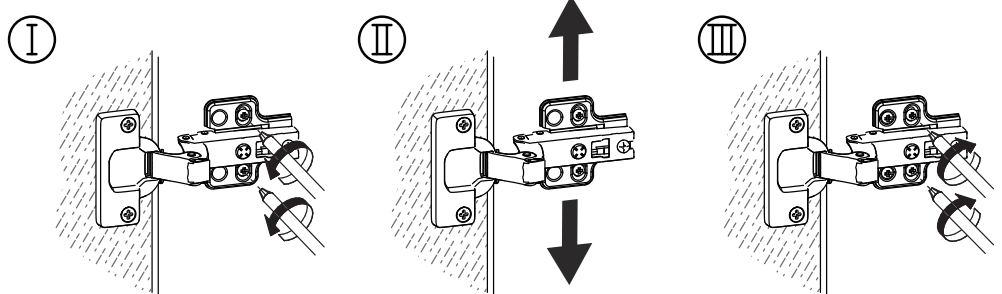
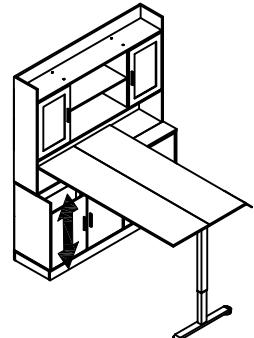
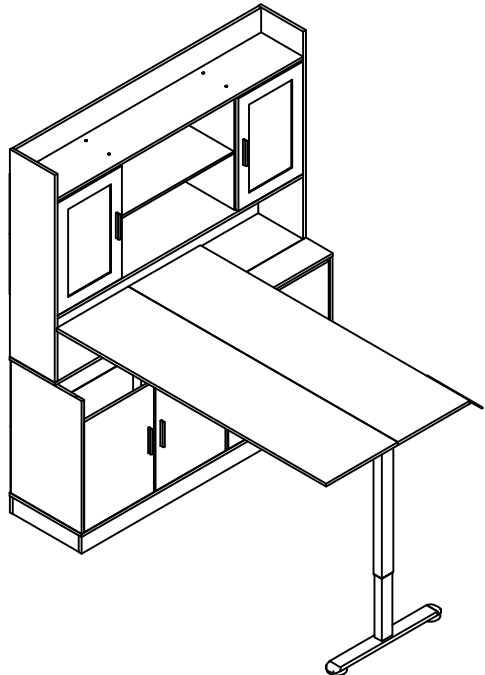
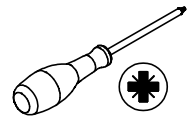
56



Put shelf 23 on layer pin as shown.



57



# WARRANTY

## WARRANTY CLAIMS

- There is a 30-day warranty for broken furniture or any other problems that do not work properly. The warranty will start from the date of purchase which must be verified by proof of purchase.
- Before making a claim, we may be able to answer your query, simply call us. Please leave your purchase order number, along with some details of the problem, if you want a replacement part. We will arrange within 48 hours. If there is out of stock, we will reply with a shipping date.
- The product must be used in accordance with the instructions provided. For health reasons.
- For other reasons, if the furniture needs to be returned, it must be cleaned and dried and operated within 30 days of receipt.

## Type of Warranty Claim

- Failure to follow the furniture instructions will invalidate the warranty. Attention please.
- Does not include damage during installation, but includes damage during transportation.

## Scope of responsibility

- Shall not bear any responsibility for misuse or user damage and / or loss of parts during the installation of furniture.
- After using, the damage and scratches of the furniture are not covered by the warranty.

## The Warranty Relates to All Bought in The Us and Covers The Following Areas

- Sheet parts: 1 month from the date of purchase.
- Electrical parts: 1 month from the date of purchase.

# RETURNS

## **CHANGED YOUR MIND AND NEED TO RETURN YOU ITEM?**

### **PLEASE FOLLOW THE BELOW INSTRUCTIONS:**

- If you have purchased and have simply changed your mind, follow the retailer's instructions for returns.

### **DEFECTIVE ITEMS**

- If your item is defective in any way, i.e. it doesn't work but you can't identify why, in the first instance, please call us.

### **DAMAGED ITEMS**

- If you receive an order with obvious shipping damage from the retailer, then we suggest the delivery is refused. If the delivery has been accepted and then shipping damage is found, please follow the specific instructions advised by the retailer.  
In all circumstances please save all packaging material and paperwork for the order. Please be aware that if you dispose of packaging material or attempt to return the merchandise without contacting the fulfiller, you jeopardise your chances of making a claim, and you may not receive a credit for the return.