

User Manual

Suggest two people to assemble this product

INTRODUCTION

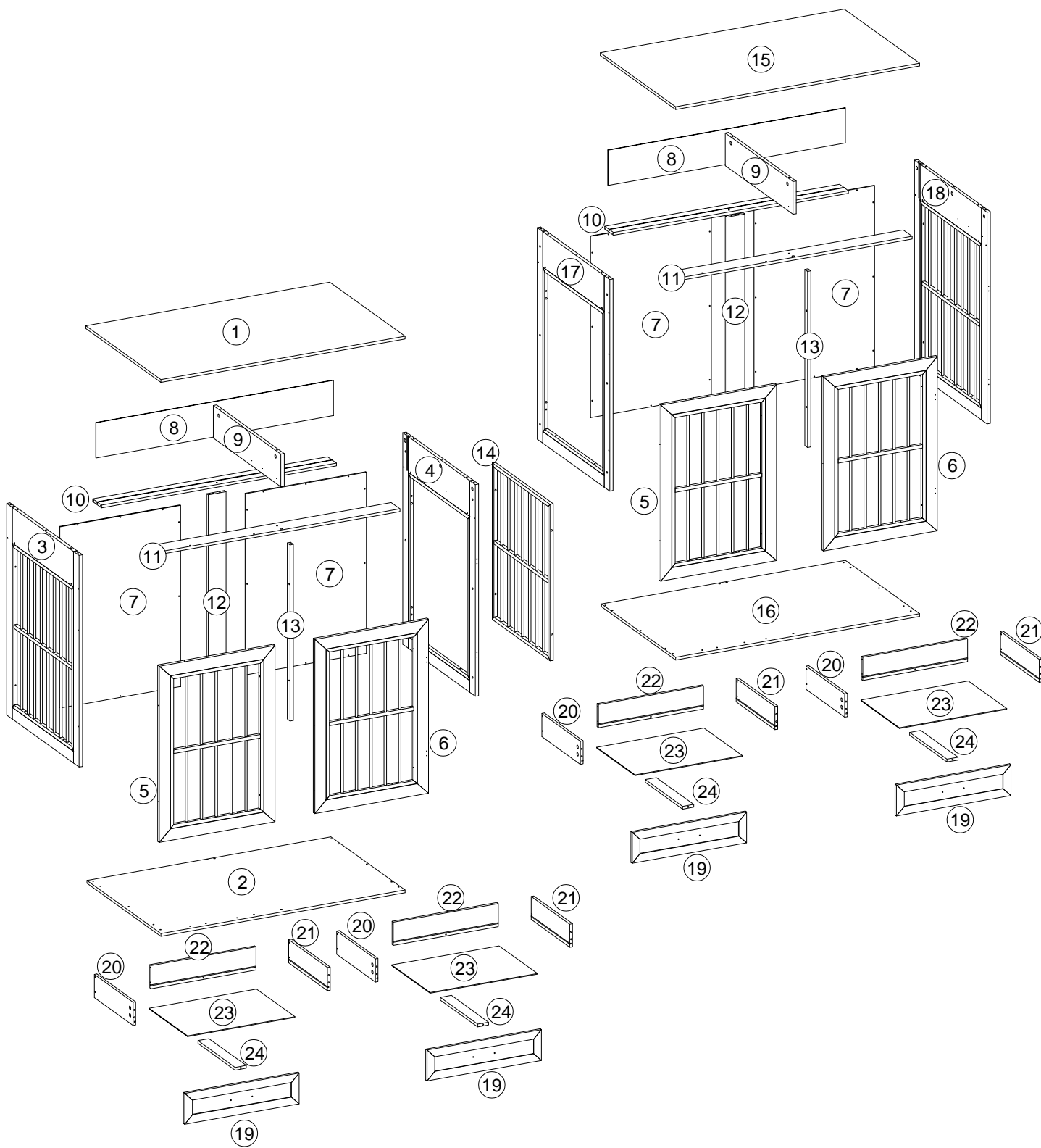
Thank you for purchasing our products. Committed to providing customers with the best quality products and service has always been our life long goal. Before using the product, please read this instruction manual carefully to ensure correct use. Keep the instruction manual in a place where the user can find it at any time.

PRECAUTIONS

1. There are many components and accessories in the package. Each component and accessory is labeled with a letter or a number, check carefully before using any of them. Keep them away from children to prevent accidents.
2. Please install the product on a clean and soft underlay (such as carpet or cardboard) to avoid scratching or damaging the surface of the product.
3. The main components of the product is relatively heavy. Please pay attention to safety during installation.
4. The product is not stable during installation. Please do not move it randomly before it is completely installed.
5. If you have any questions during installation, please contact the customer service in time.

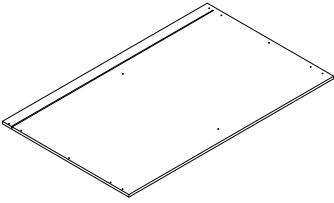
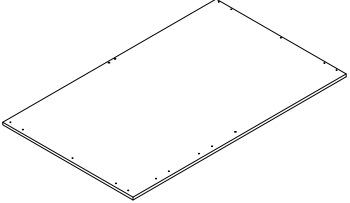
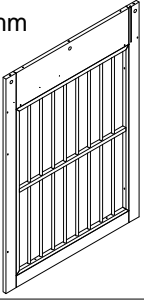
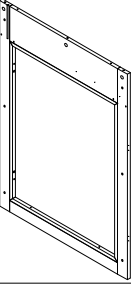
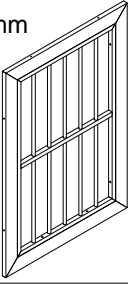
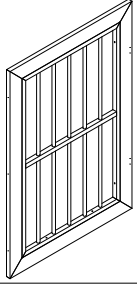

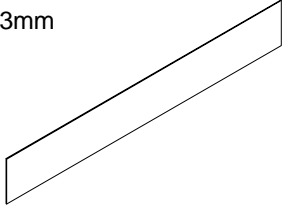
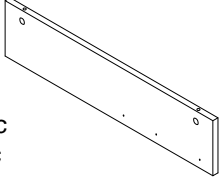
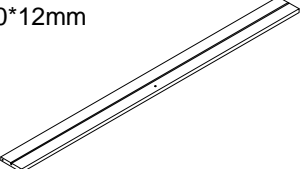
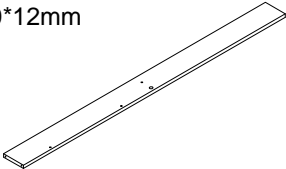


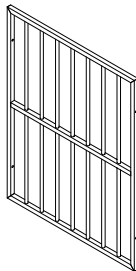
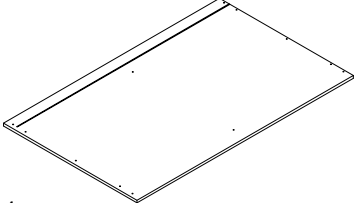
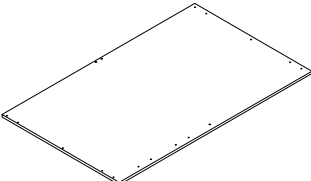
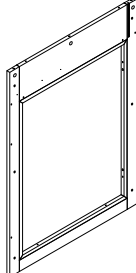
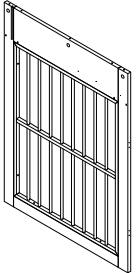
***PLEASE BE SURE TO FOLLOW THE INSTALLATION STEPS IN THE MANUAL TO AVOID UNNECESSARY LOSSES CAUSED BY IMPROPER INSTALLATION.**

***IF YOU NEED FUTHER ASSIATANCE,PLEASE CONTACT THE CUSTOMER SERVICE ONLINE.**



PARTS LIST

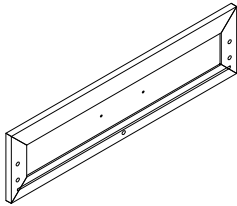
Unit(mm)

<p>① 1100*680*12mm</p>  <p>Box A:1pc</p>	<p>② 1094*660*12mm</p>  <p>Box A:1pc</p>	<p>③ 914*655*15mm</p>  <p>Box A:1pc</p>
<p>④ 914*655*15mm</p>  <p>Box A:1pc</p>	<p>⑤ 761*522*15mm</p>  <p>Box A: 1 pc Box B : 1 pc Total 2 pcs</p>	<p>⑥ 752*510*15mm</p>  <p>Box A: 1 pc Box B : 1 pc Total 2 pcs</p>
<p>⑦ 783*544*5mm</p>  <p>Box A: 2 pcs Box B : 2 pcs Total 4 pcs</p>	<p>⑧ 1070*152*3mm</p>  <p>Box A: 1 pc Box B : 1 pc Total 2 pcs</p>	<p>⑨ 612*141*15mm</p>  <p>Box A: 1 pc Box B : 1 pc Total 2 pcs</p>
<p>⑩ 1059*80*12mm</p>  <p>Box A: 1 pc Box B:1 pc Total 2 pcs</p>	<p>⑪ 1059*80*12mm</p>  <p>Box A: 1 pc Box B:1 pc Total 2 pcs</p>	<p>⑫ 761*80*12mm</p>  <p>Box A: 1 pc Box B: 1 pc Total 2 pcs</p>
<p>⑬ 761*25*15mm</p>  <p>Box A: 1 pc Box B:1 pc Total 2 pcs</p>	<p>⑭ 676*521*15mm</p>  <p>Box A:1pc</p>	<p>⑮ 1100*680*12mm</p>  <p>Box B:1pc</p>
<p>⑯ 1094*660*12mm</p>  <p>Box B:1pc</p>	<p>⑰ 914*655*15mm</p>  <p>Box B:1pc</p>	<p>⑱ 914*655*15mm</p>  <p>Box B:1pc</p>

PARTS LIST

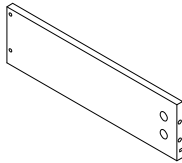
Unit(mm)

①9 516*133*12mm



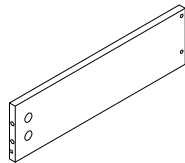
Box A: 2 pcs
Box B: 2 pcs
Total 4 pcs

②0 350*90*12mm



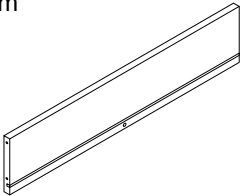
Box A: 2 pcs
Box B: 2 pcs
Total 4 pcs

②1 350*90*12mm



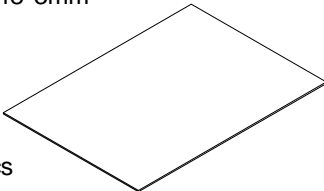
Box A: 2 pcs
Box B: 2 pcs
Total 4 pcs

②2 473*90*12mm



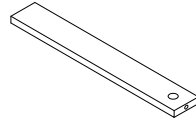
Box A: 2 pcs
Box B: 2 pcs
Total 4 pcs

②3 484*348*3mm



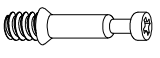



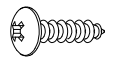
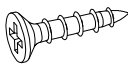
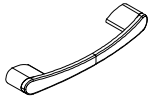
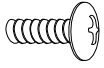
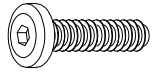
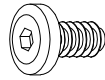
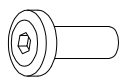
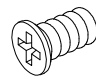
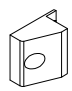
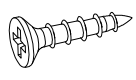
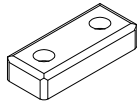
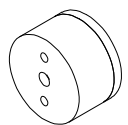
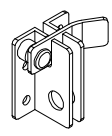

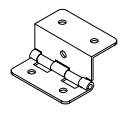
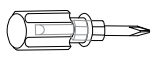


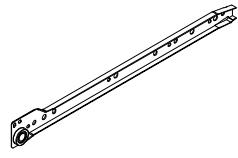
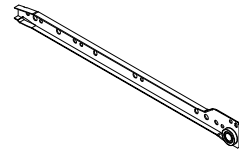
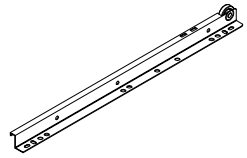
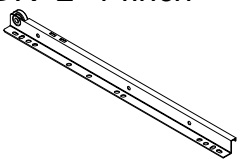
Box A: 2 pcs
Box B: 2 pcs
Total 4 pcs

②4 337*50*12mm



Box A: 2 pcs
Box B: 2 pcs
Total 4 pcs

HARDWARES LIST

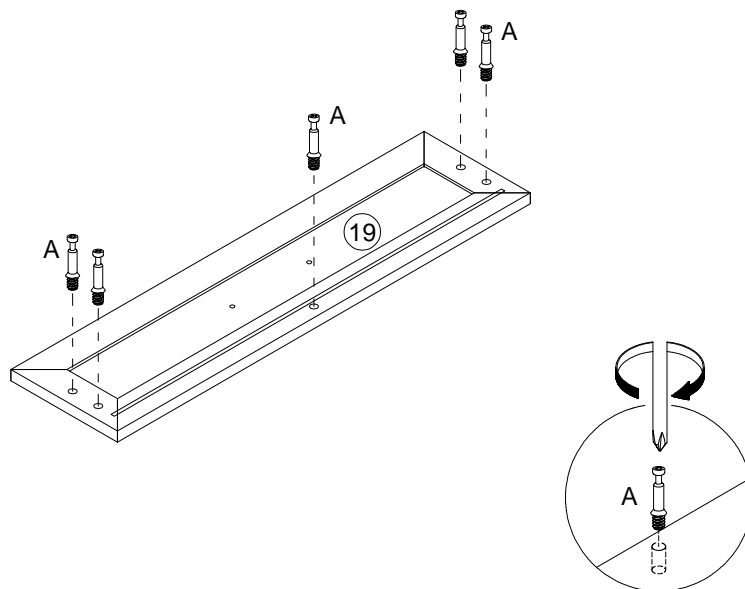
<p>A Ø6*35mm</p>  <p>Box B:44pcs</p>	<p>B Ø15*9.5mm</p>  <p>Box B:44pcs</p>	<p>C Ø6*30mm</p>  <p>Box B:20pcs</p>	<p>D Ø5*48mm</p>  <p>Box B:68pcs</p>	<p>E Ø3.5*15mm</p>  <p>Box B:48pcs</p>
<p>F Ø3*14mm</p>  <p>Box B:74pcs</p>	<p>G</p>  <p>Box B:4pcs</p>	<p>H M4*8mm</p>  <p>Box B:8pcs</p>	<p>I M6*25mm</p>  <p>Box B:14pcs</p>	<p>J M6*15mm</p>  <p>Box B:12pcs</p>
<p>K M6*15mm</p>  <p>Box B:6pcs</p>	<p>L M4*12mm</p>  <p>Box B:12pcs</p>	<p>M 15*15*10mm</p>  <p>Box B:16pcs</p>	<p>N Ø3*16mm</p>  <p>Box B:20pcs</p>	<p>O 49*20*10mm</p>  <p>Box B:2pcs</p>
<p>P Ø48X29mm</p>  <p>Box A: 6 pcs Box B:6 pcs Total 12 pcs</p>	<p>Q</p>  <p>Box B:4pcs</p>	<p>R Ø45*4mm</p>  <p>Box B:4pcs</p>	<p>S</p>  <p>Box B:6pcs</p>	<p>T</p>  <p>Box B:1pc</p>
<p>U M4mm</p>  <p>Box B:2pcs</p>	<p>V M3mm</p>  <p>Box B:1pc</p>	<p>CL L=14inch</p>  <p>Box A: 2 pcs Box B:2 pcs Total 4 pcs</p>	<p>CR L=14inch</p>  <p>Box A: 2 pcs Box B:2 pcs Total 4 pcs</p>	<p>DL L=14inch</p>  <p>Box A: 2 pcs Box B:2 pcs Total 4 pcs</p>
<p>DR L=14inch</p>  <p>Box A: 2 pcs Box B:2 pcs Total 4 pcs</p>				

INSTALLATION STEPS

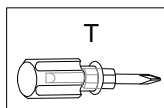
1

YOU WILL NEED

A x 20



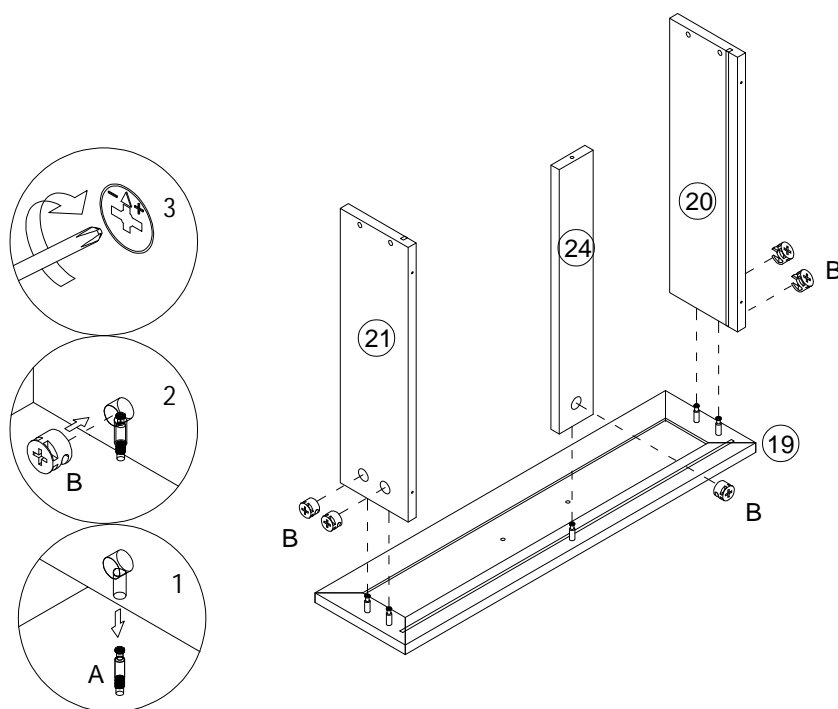
X 4



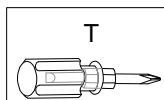
2

YOU WILL NEED

B x 20



X 4

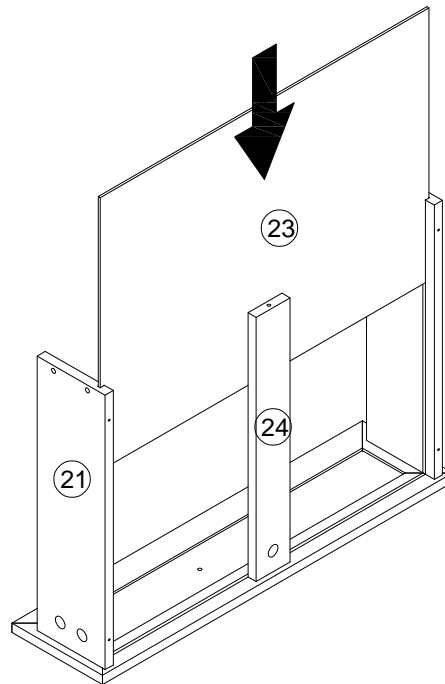


INSTALLATION STEPS

3

YOU WILL NEED

--	--	--	--



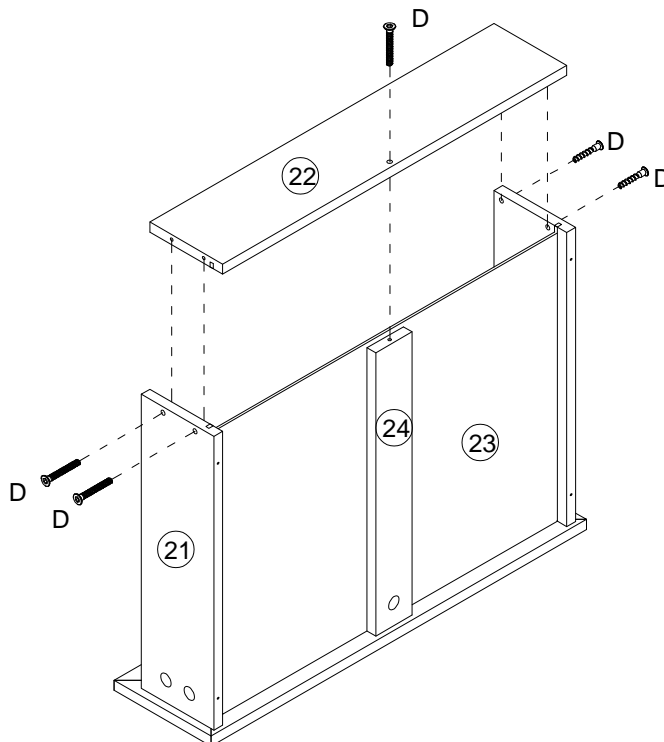
X 4

4

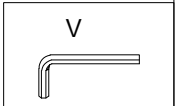
YOU WILL NEED

D x 20

--	--	--	--



X 4

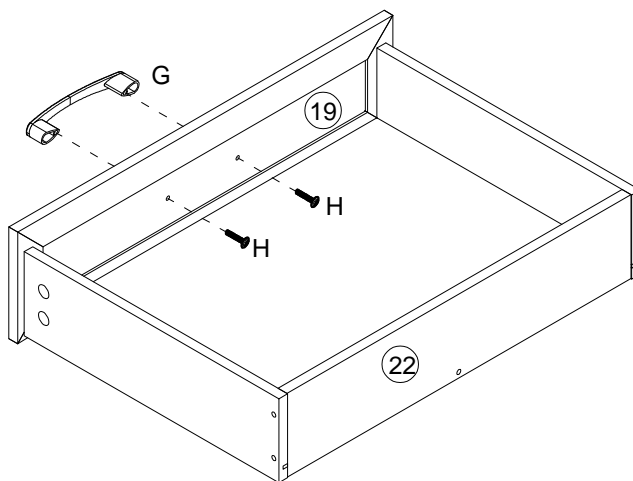


INSTALLATION STEPS

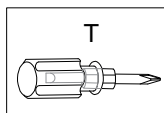
5

YOU WILL NEED

G x 4	H x 8		
-------	-------	--	--



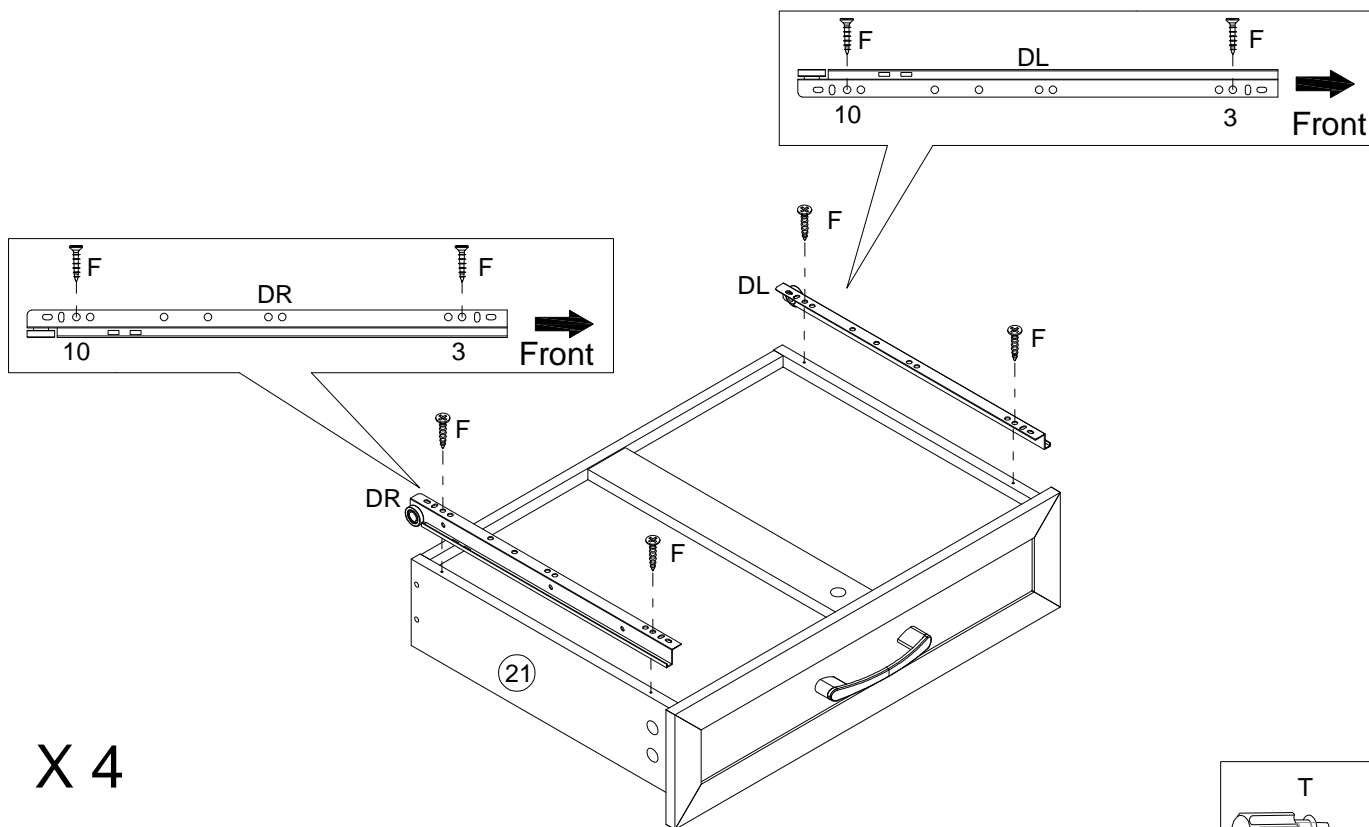
X 4



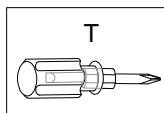
6

YOU WILL NEED

F x 16	DR x 4	DL x 4	
--------	--------	--------	--



X 4

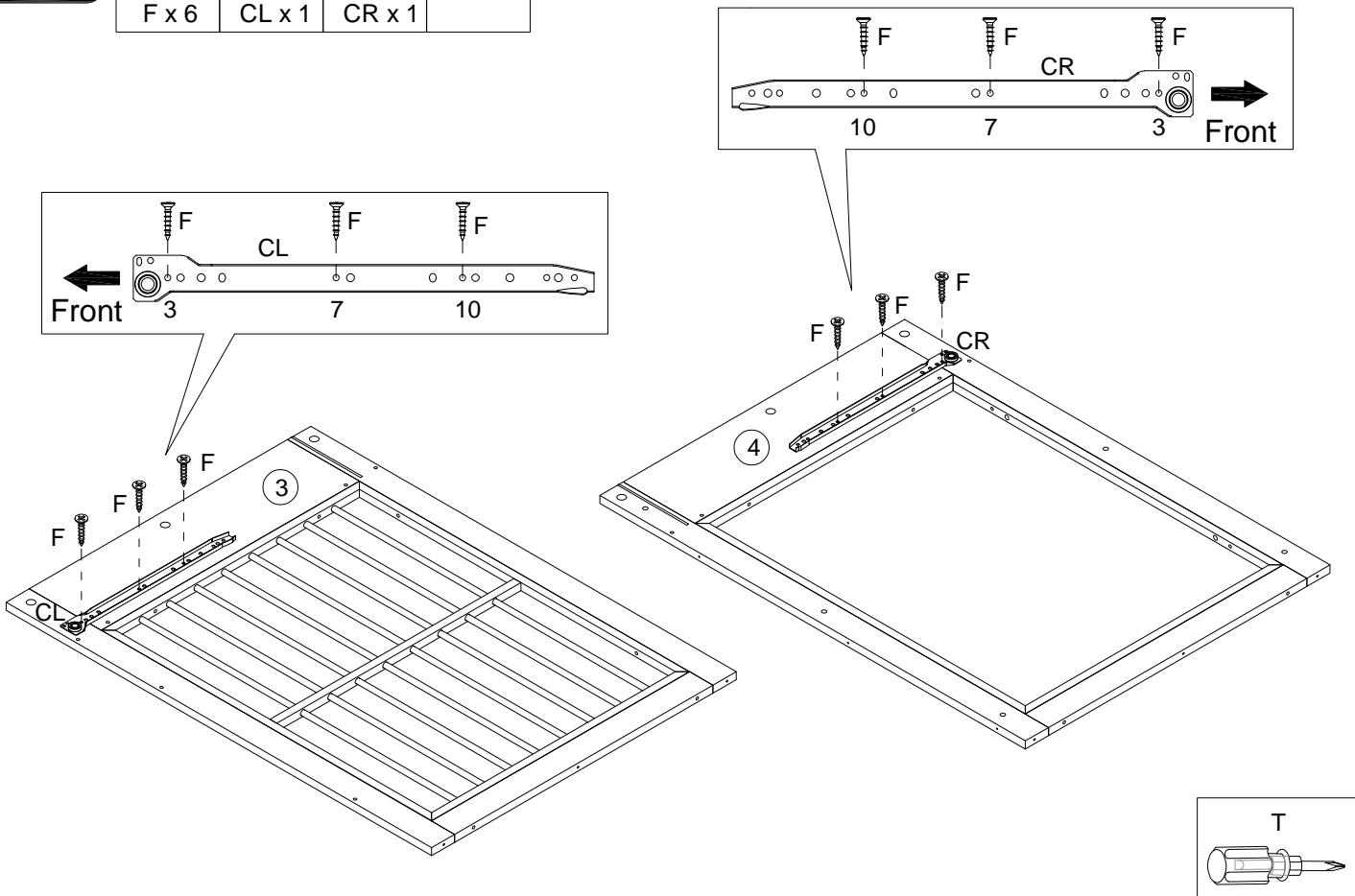


INSTALLATION STEPS

7

YOU WILL NEED

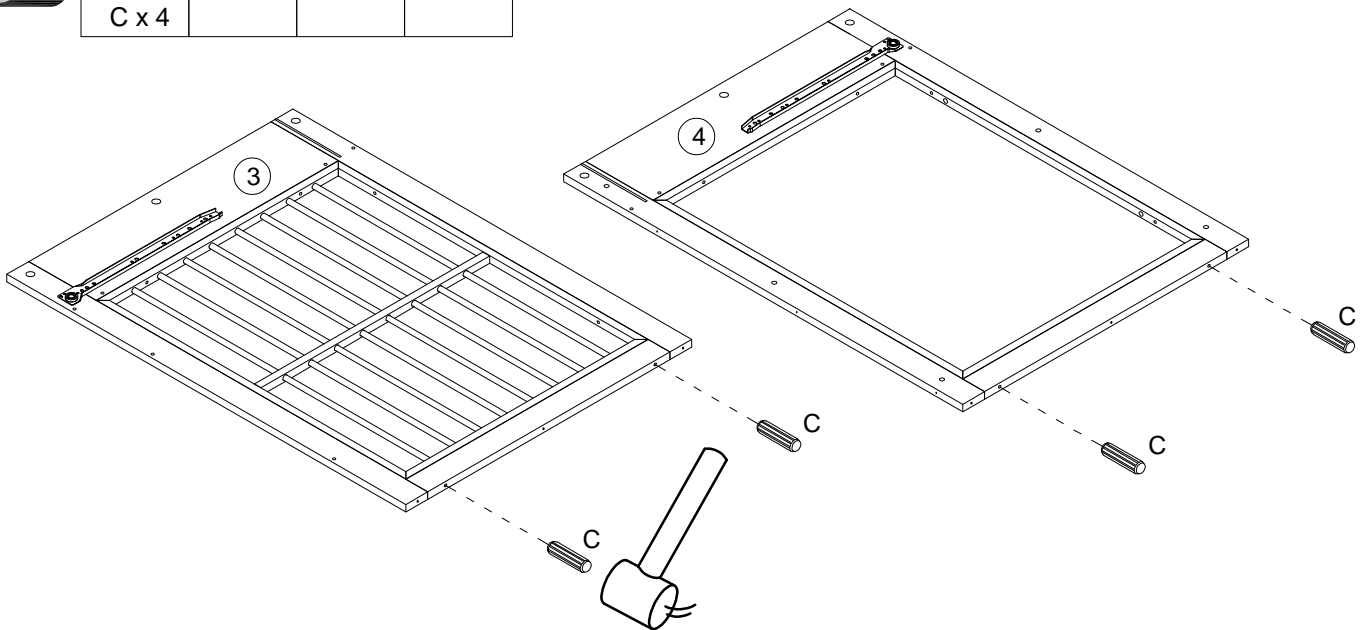
F x 6	CL x 1	CR x 1
-------	--------	--------



8

YOU WILL NEED

C x 4			
-------	--	--	--



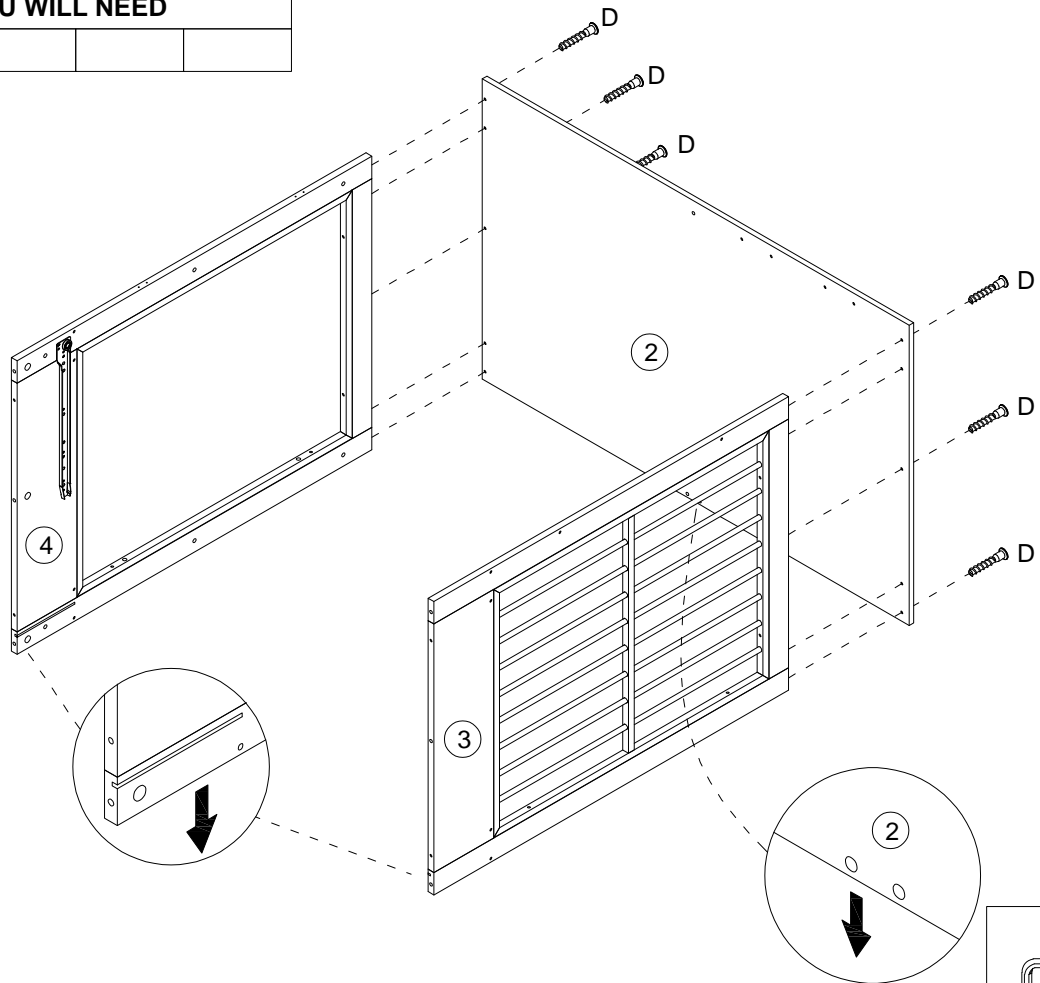
Insert C into Part 3 and 4 firstly.
If it is too tight, you can use a hammer
to help you complete this step.

INSTALLATION STEPS

9

YOU WILL NEED

D x 6			
-------	--	--	--

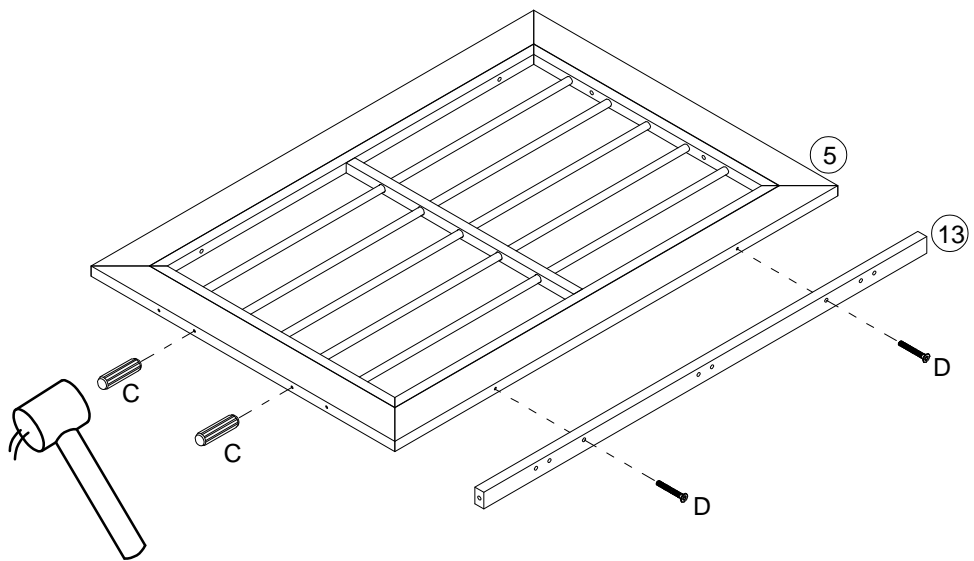


10

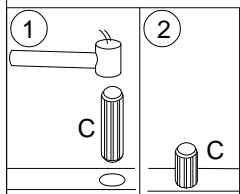
YOU WILL NEED

D x 4	C x 4		
-------	-------	--	--

X 2



Insert C into Part 5 firstly.
If it is too tight, you can use a hammer to help you complete this step.

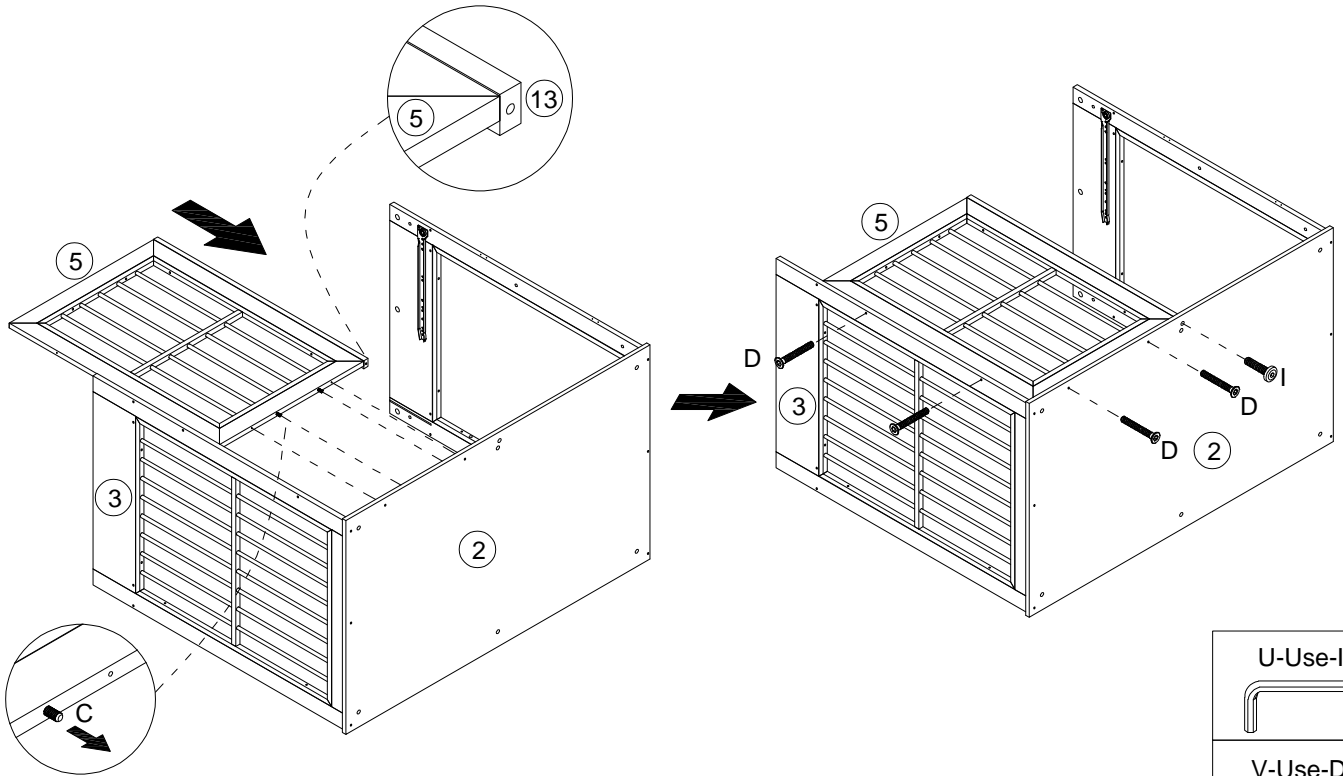


INSTALLATION STEPS

11

YOU WILL NEED

D x 4	I x 1		
-------	-------	--	--

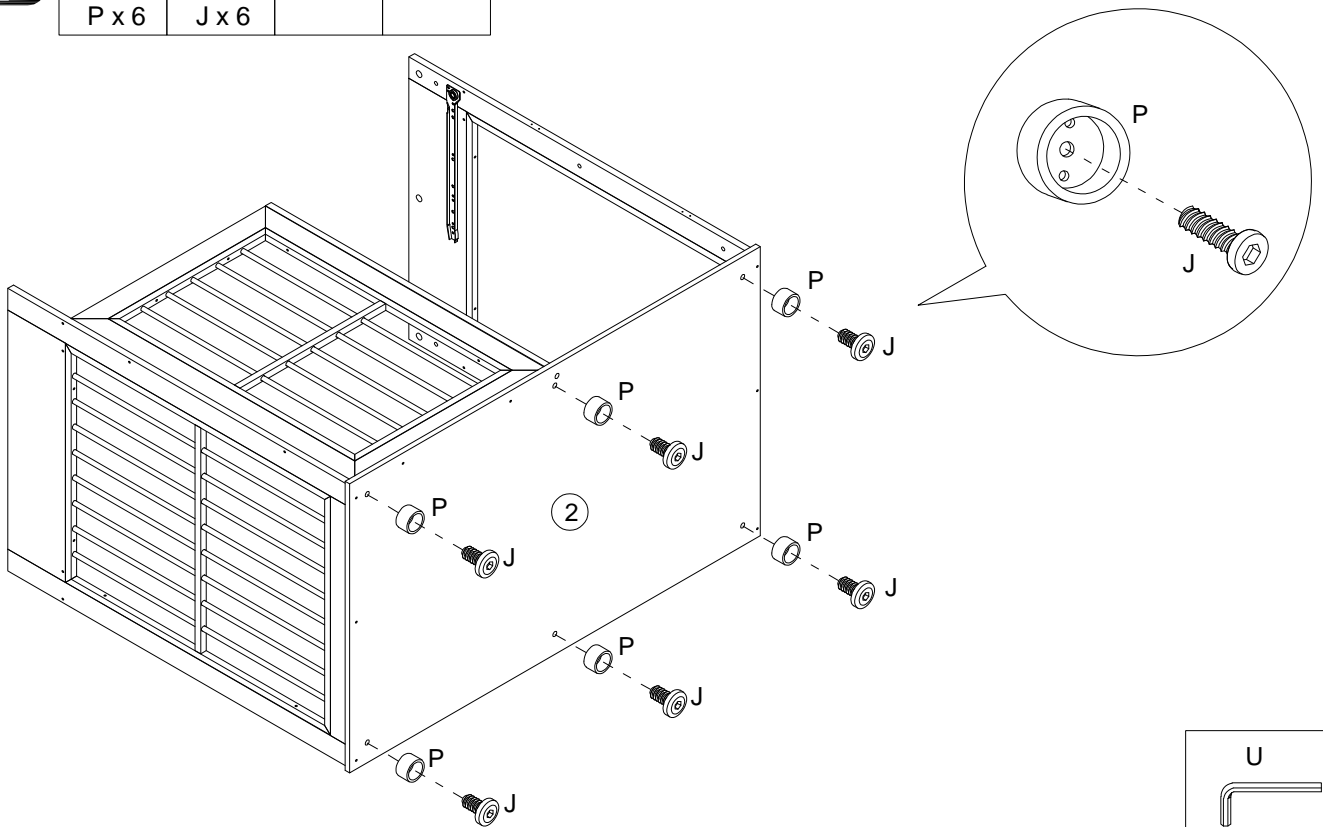


U-Use-I	
V-Use-D	

12

YOU WILL NEED

P x 6	J x 6		
-------	-------	--	--



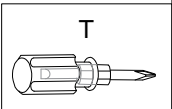
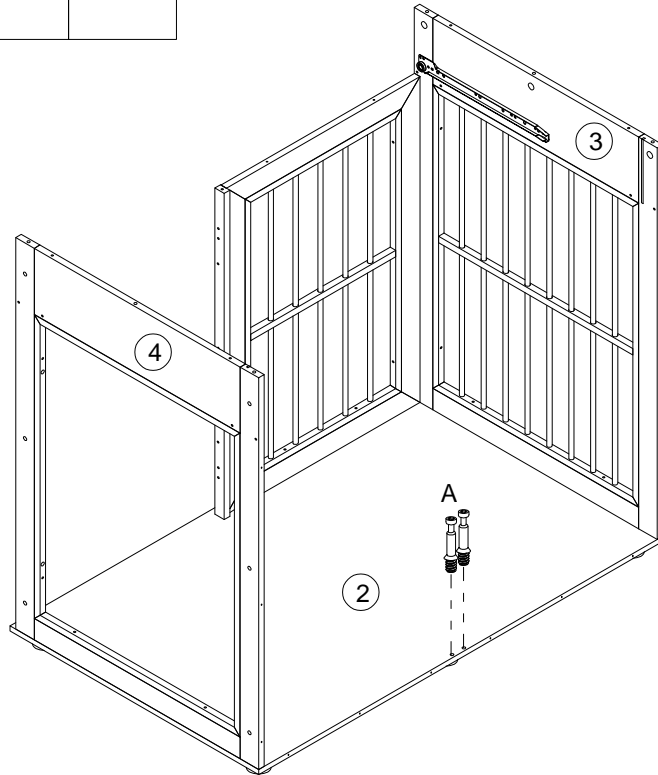
U	
---	--

INSTALLATION STEPS

13

YOU WILL NEED

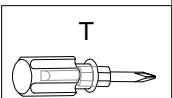
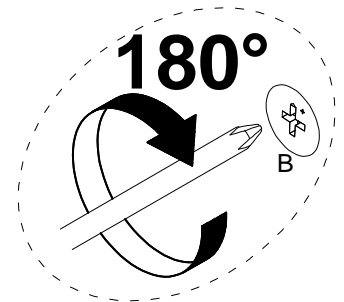
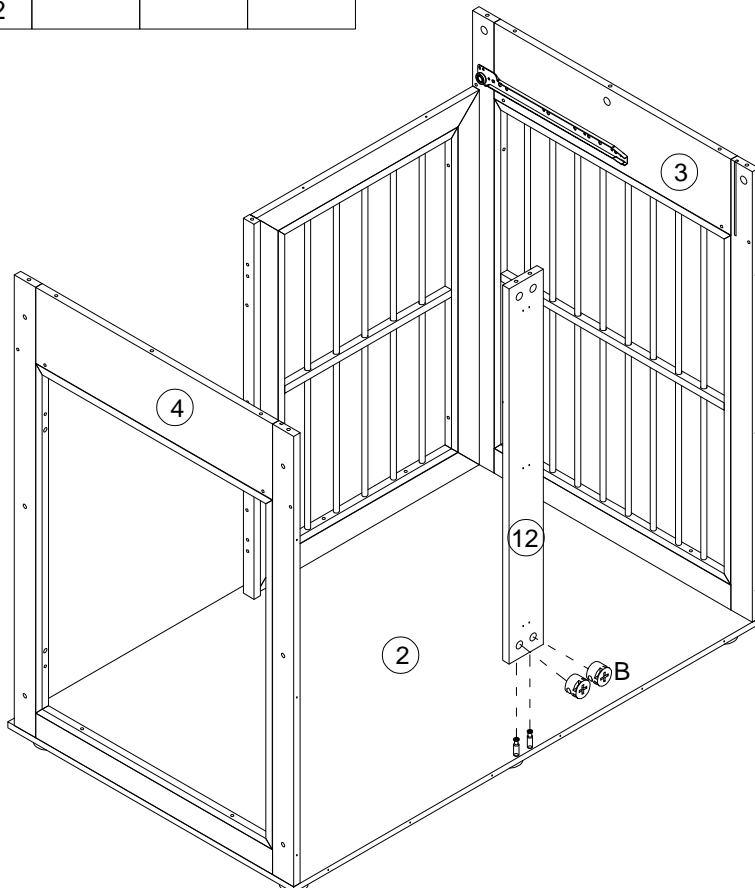
A x 2



14

YOU WILL NEED

B x 2

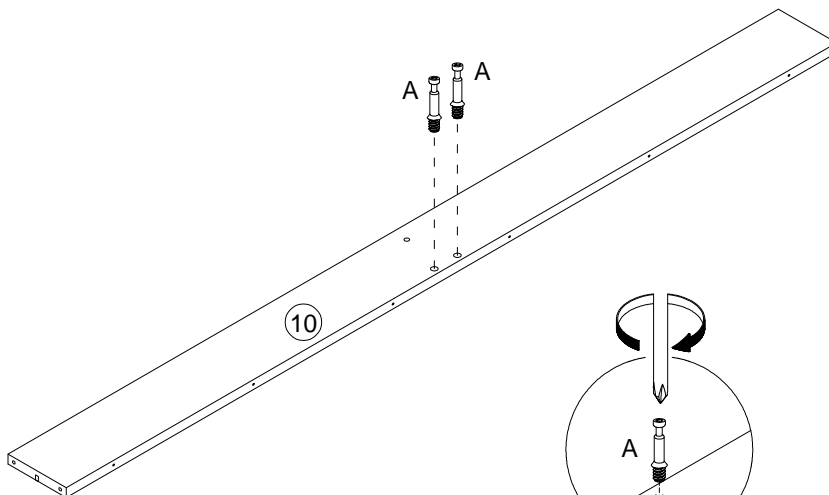


INSTALLATION STEPS

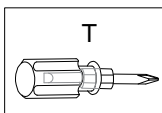
15

YOU WILL NEED

A x 4



X 2

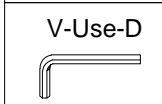
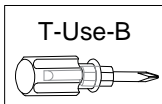
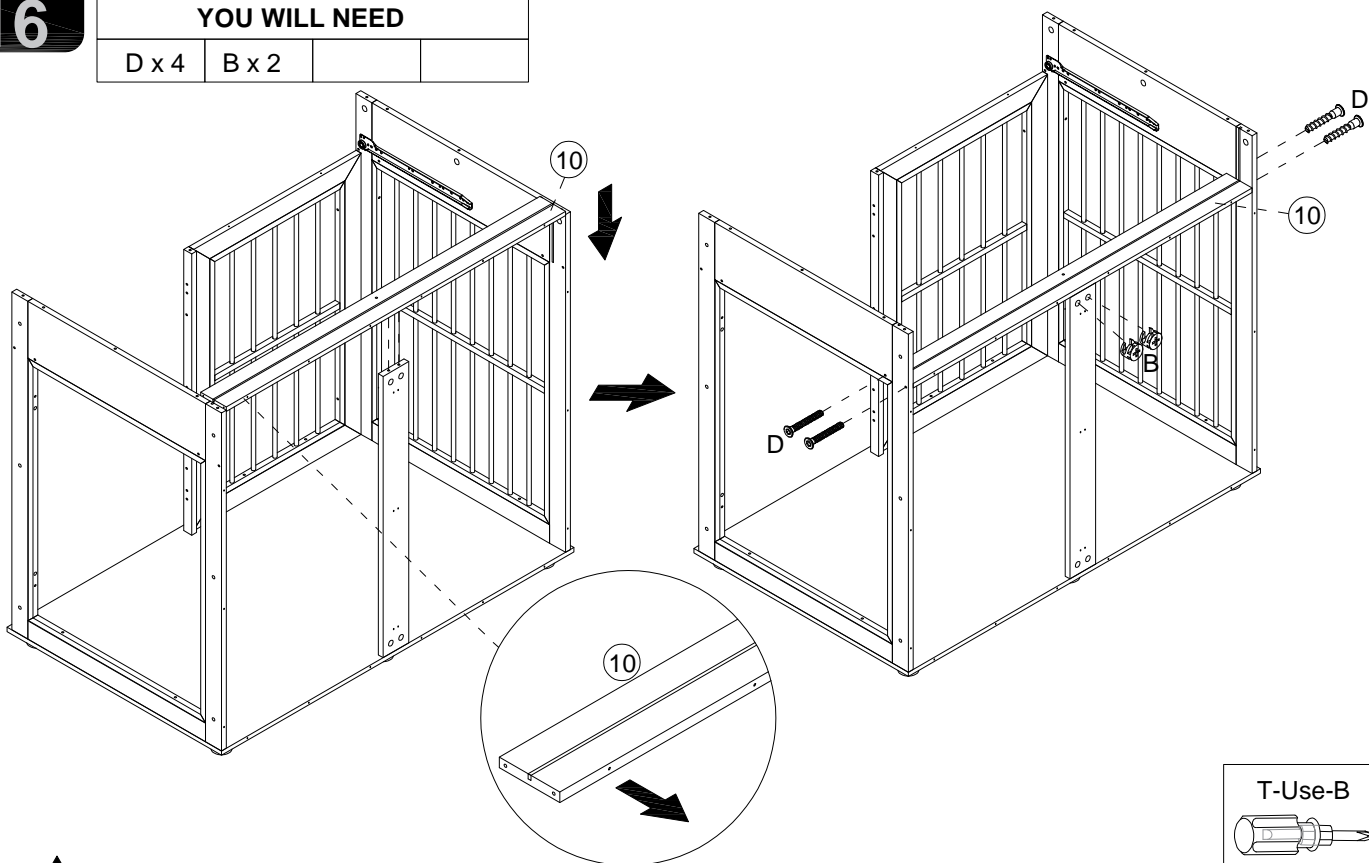


16

YOU WILL NEED

D x 4

B x 2



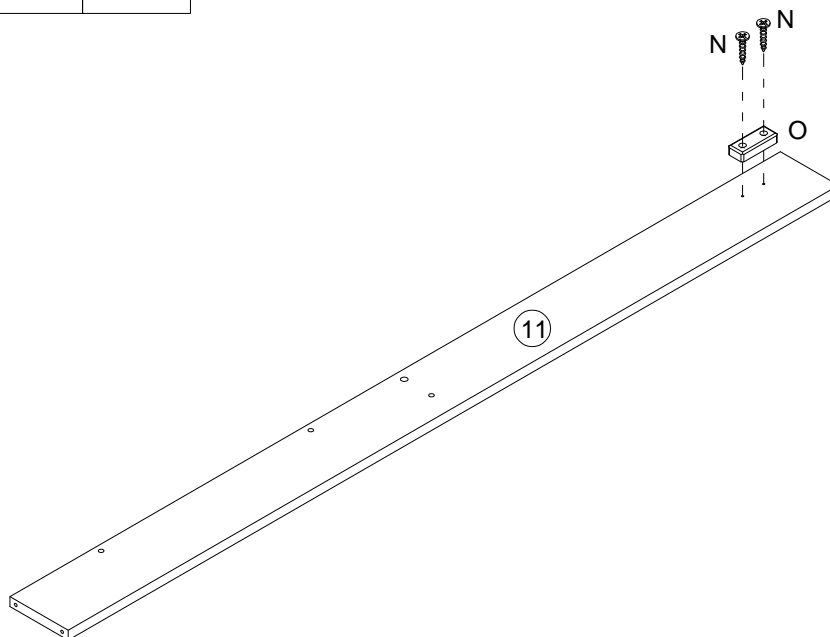
Please pay attention to the direction of the holes in Part #10

INSTALLATION STEPS

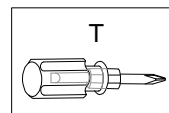
17

YOU WILL NEED

N x 4	O x 2		
-------	-------	--	--



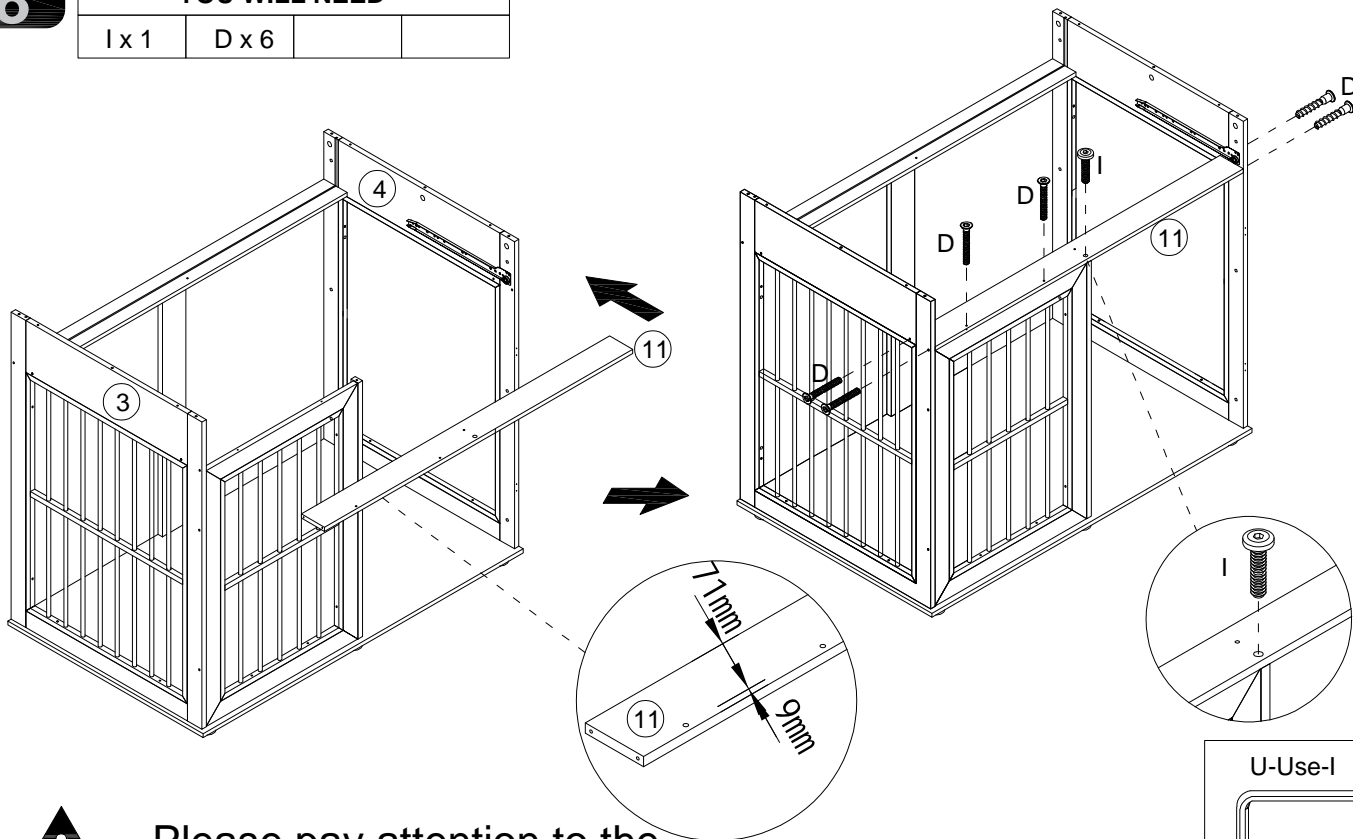
X 2



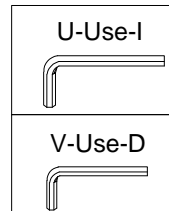
18

YOU WILL NEED

I x 1	D x 6		
-------	-------	--	--



Please pay attention to the direction of the holes in Part #11

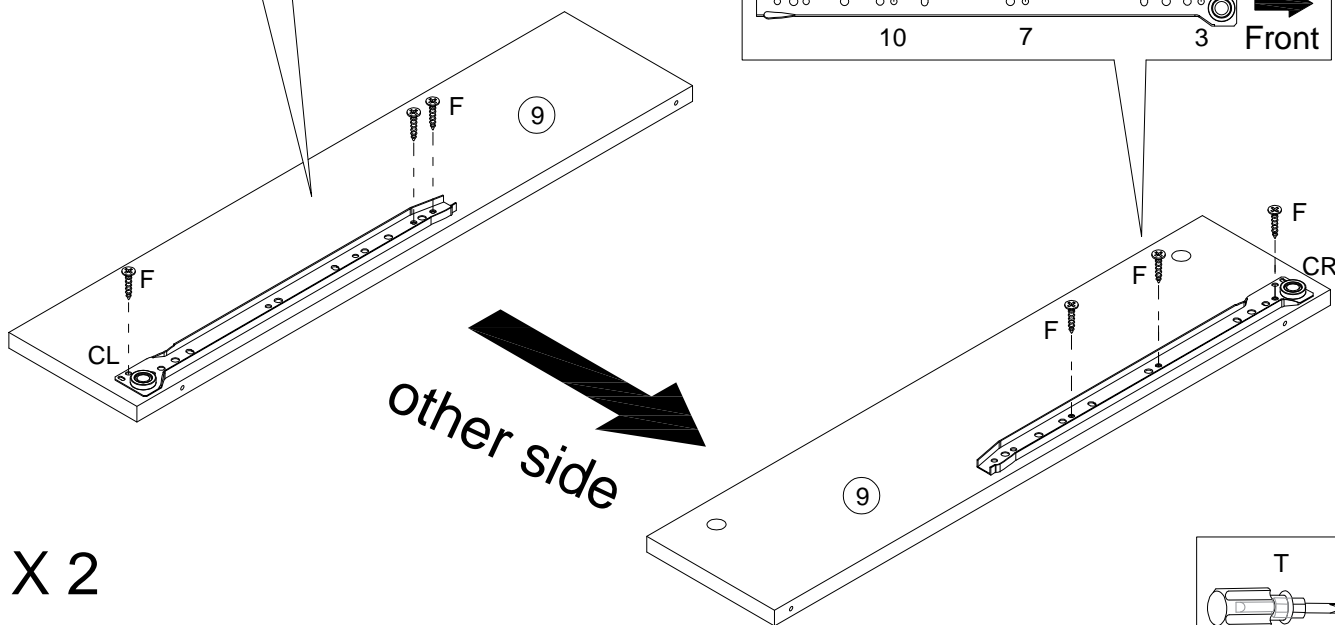
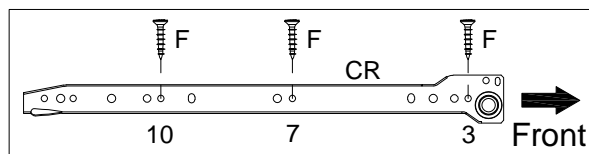


INSTALLATION STEPS

19

YOU WILL NEED

F x 12	CL x 2	CR x 2
--------	--------	--------

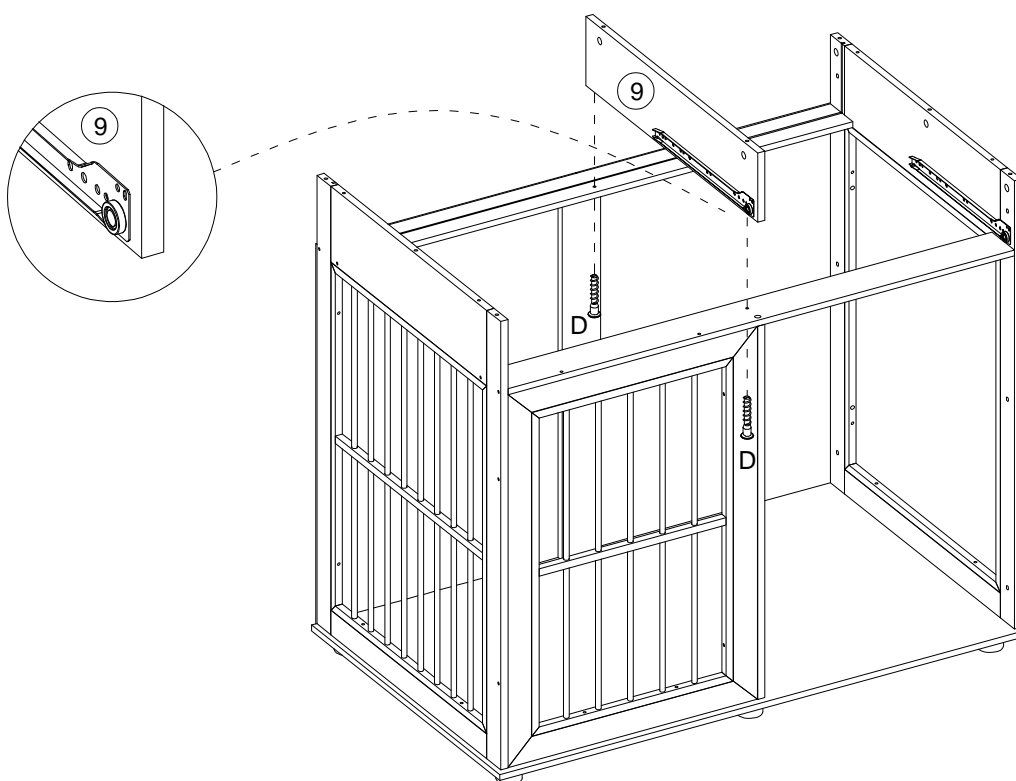


X 2

20

YOU WILL NEED

D x 2			
-------	--	--	--



V

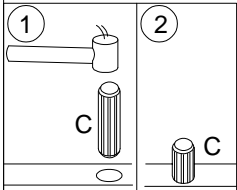
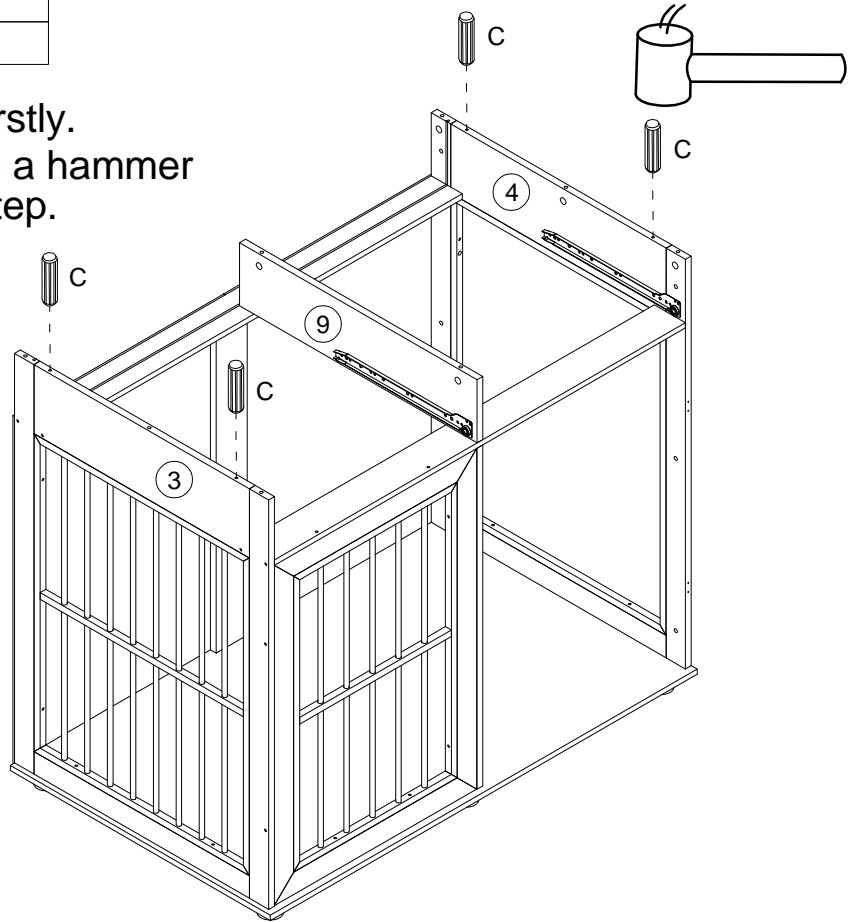
INSTALLATION STEPS

21

YOU WILL NEED

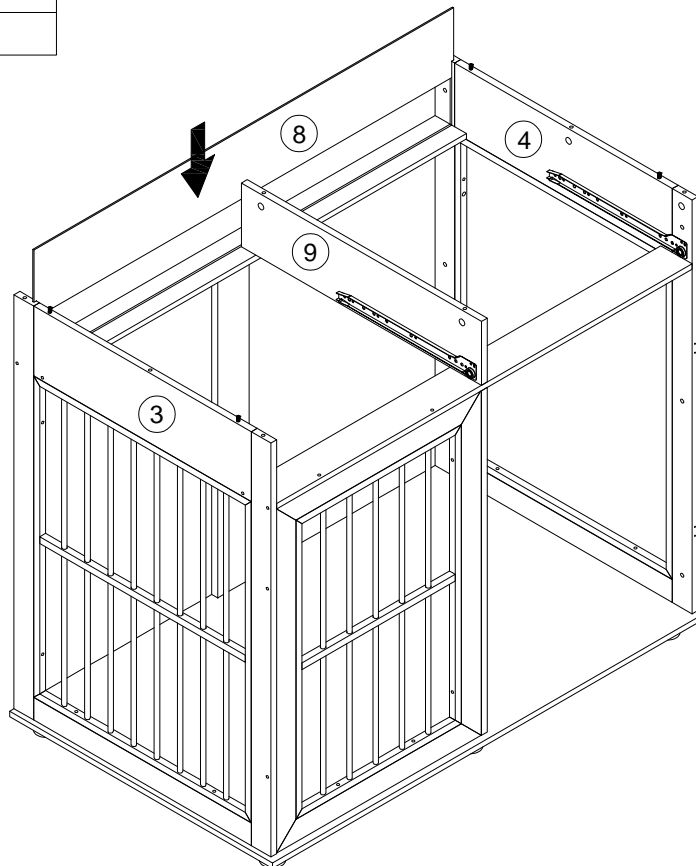
C x 4

Insert C into Part 3 and 4 firstly.
If it is too tight, you can use a hammer
to help you complete this step.



22

YOU WILL NEED

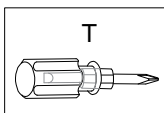
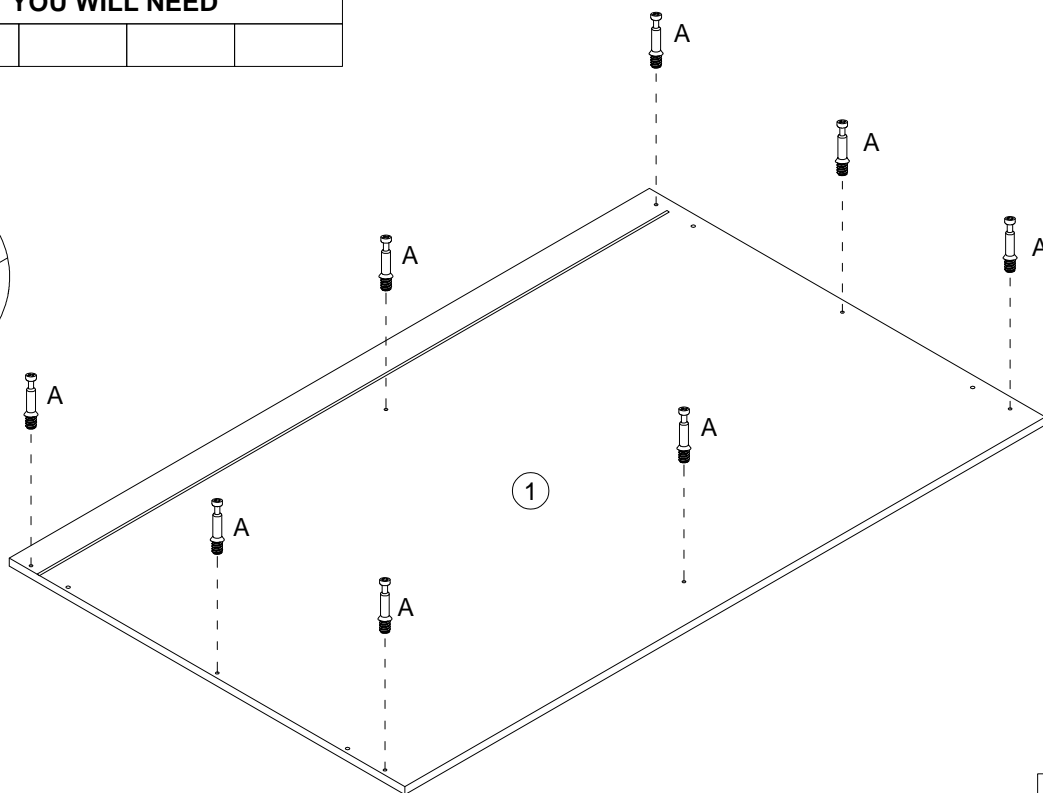
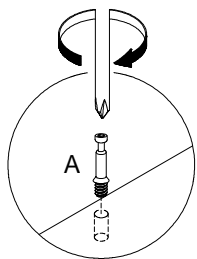


INSTALLATION STEPS

23

YOU WILL NEED

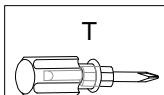
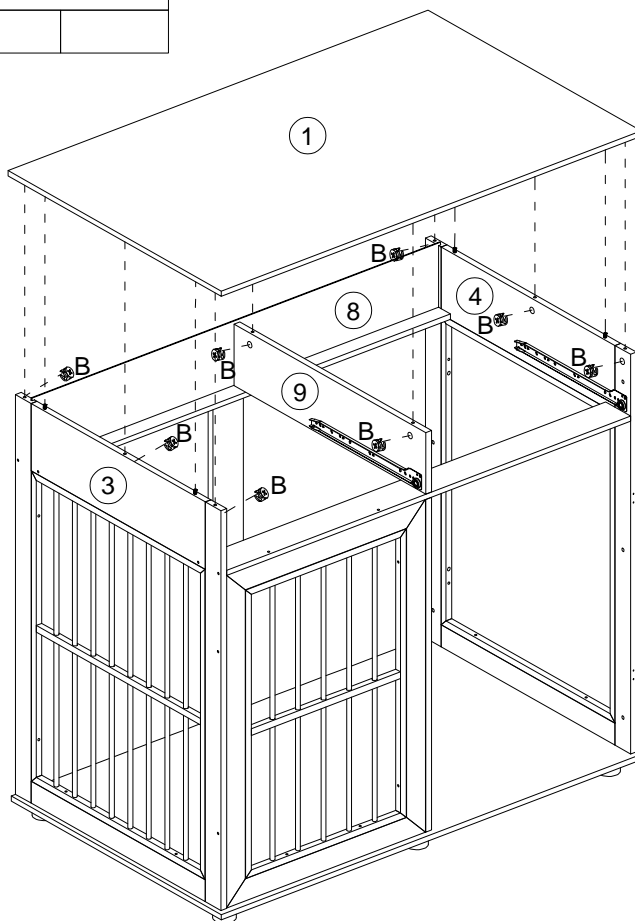
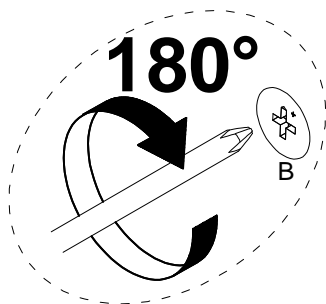
A x 8



24

YOU WILL NEED

B x 8

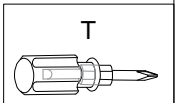
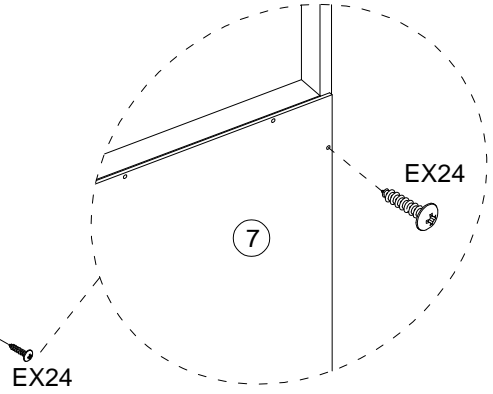
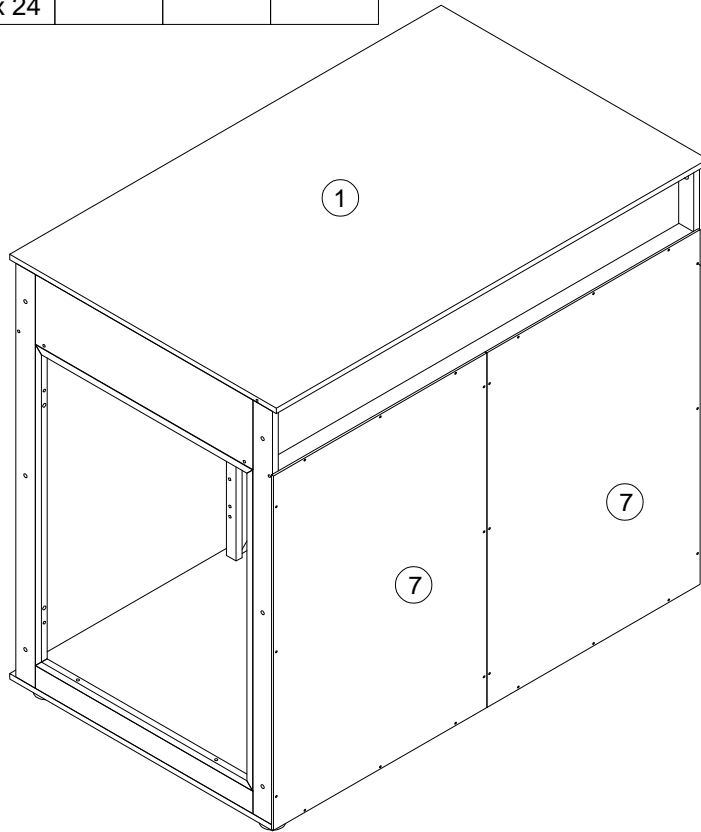


INSTALLATION STEPS

25

YOU WILL NEED

E x 24



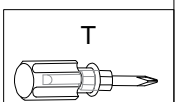
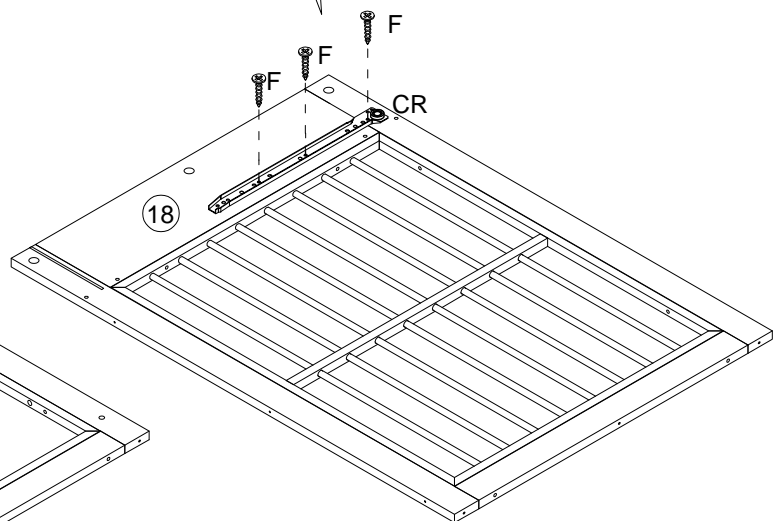
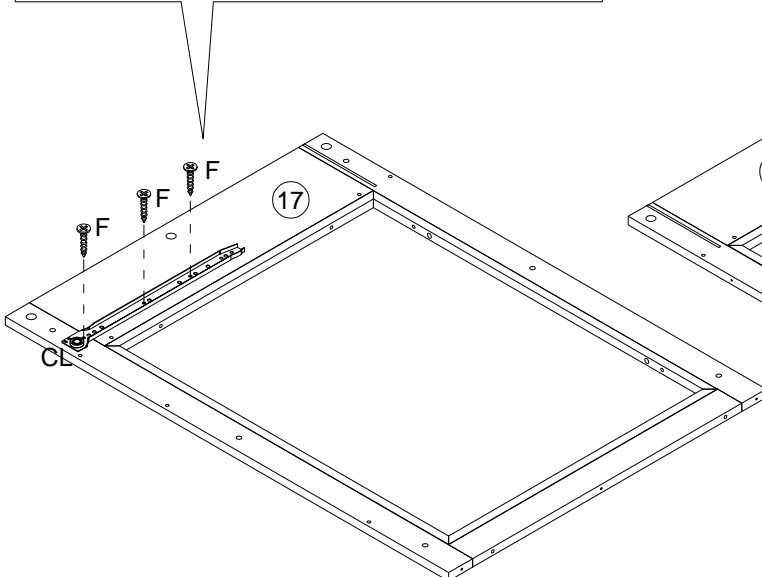
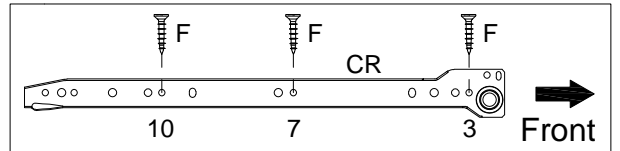
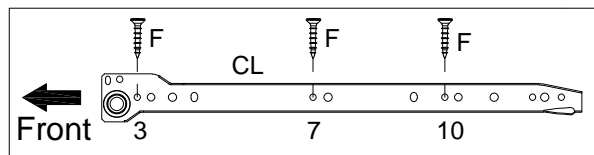
26

YOU WILL NEED

F x 6

CL x 1

CR x 1

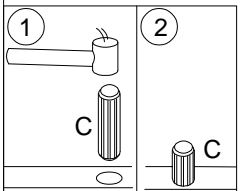
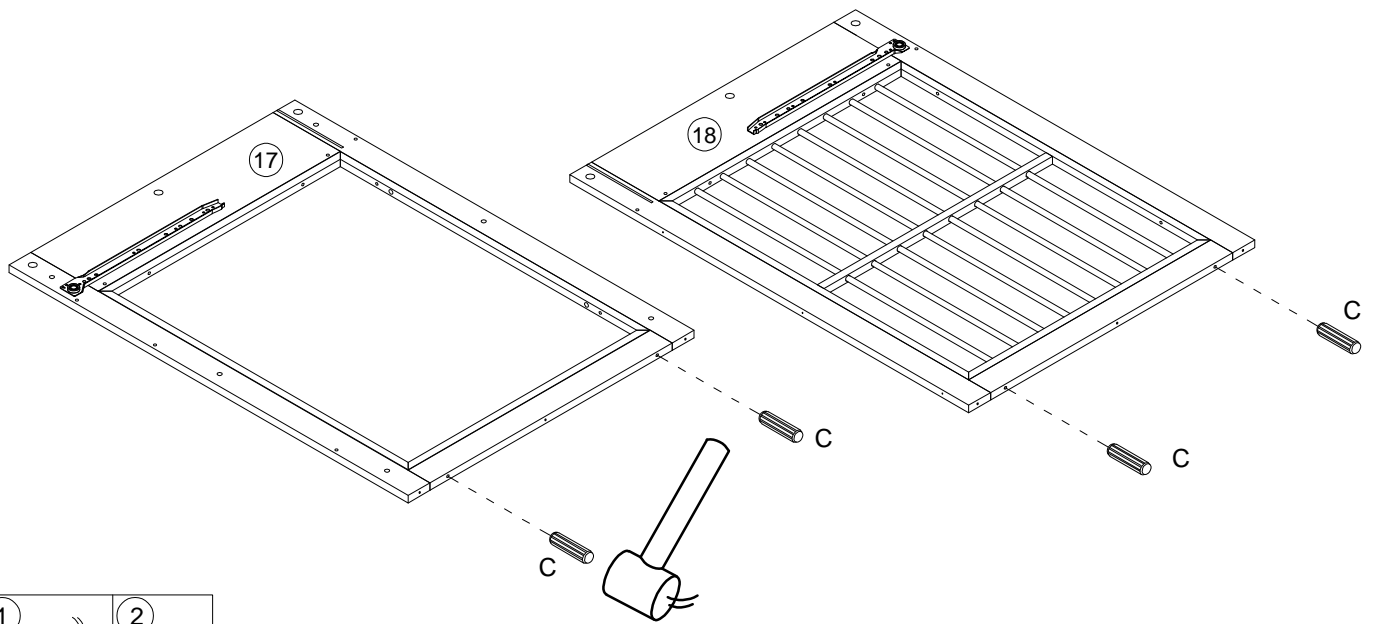


INSTALLATION STEPS

27

YOU WILL NEED

C x 4			
-------	--	--	--

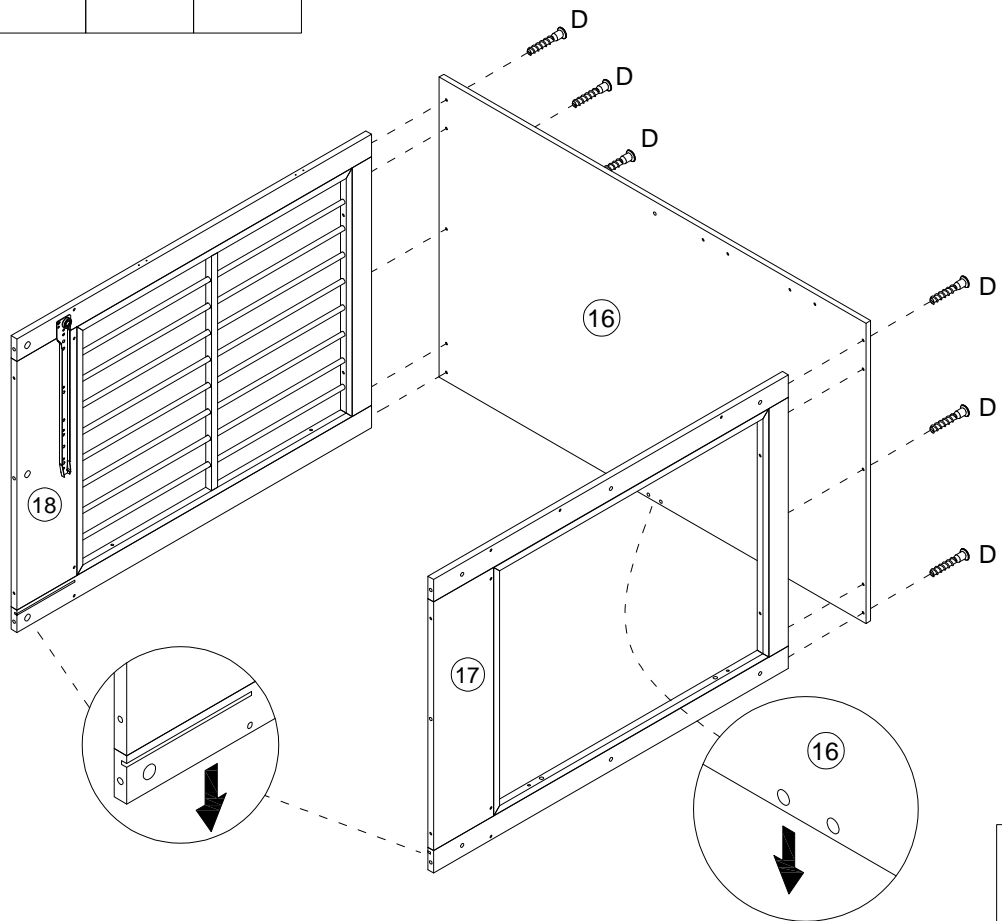


Insert C into Part 17 and 18 firstly.
If it is too tight, you can use a hammer to help you complete this step.

28

YOU WILL NEED

D x 6			
-------	--	--	--

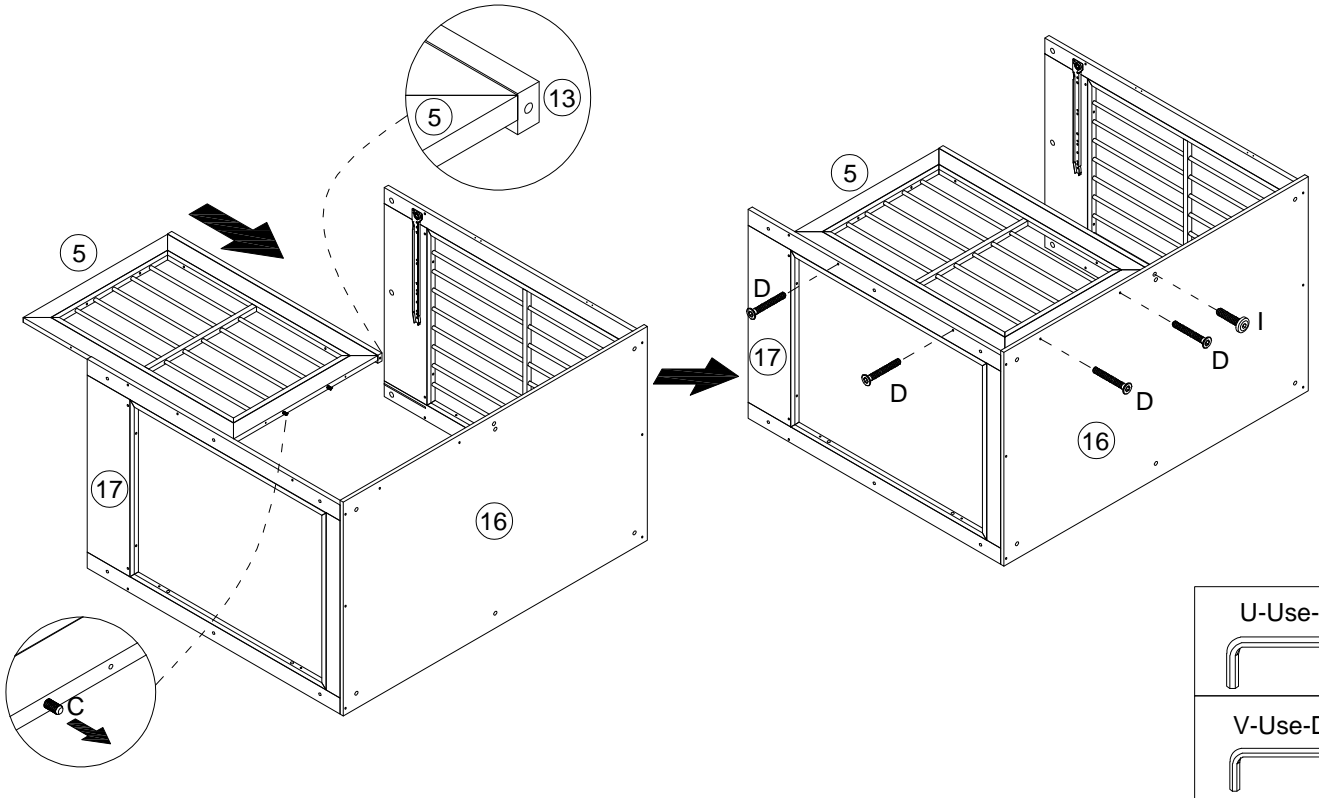


INSTALLATION STEPS

29

YOU WILL NEED

D x 4	I x 1		
-------	-------	--	--

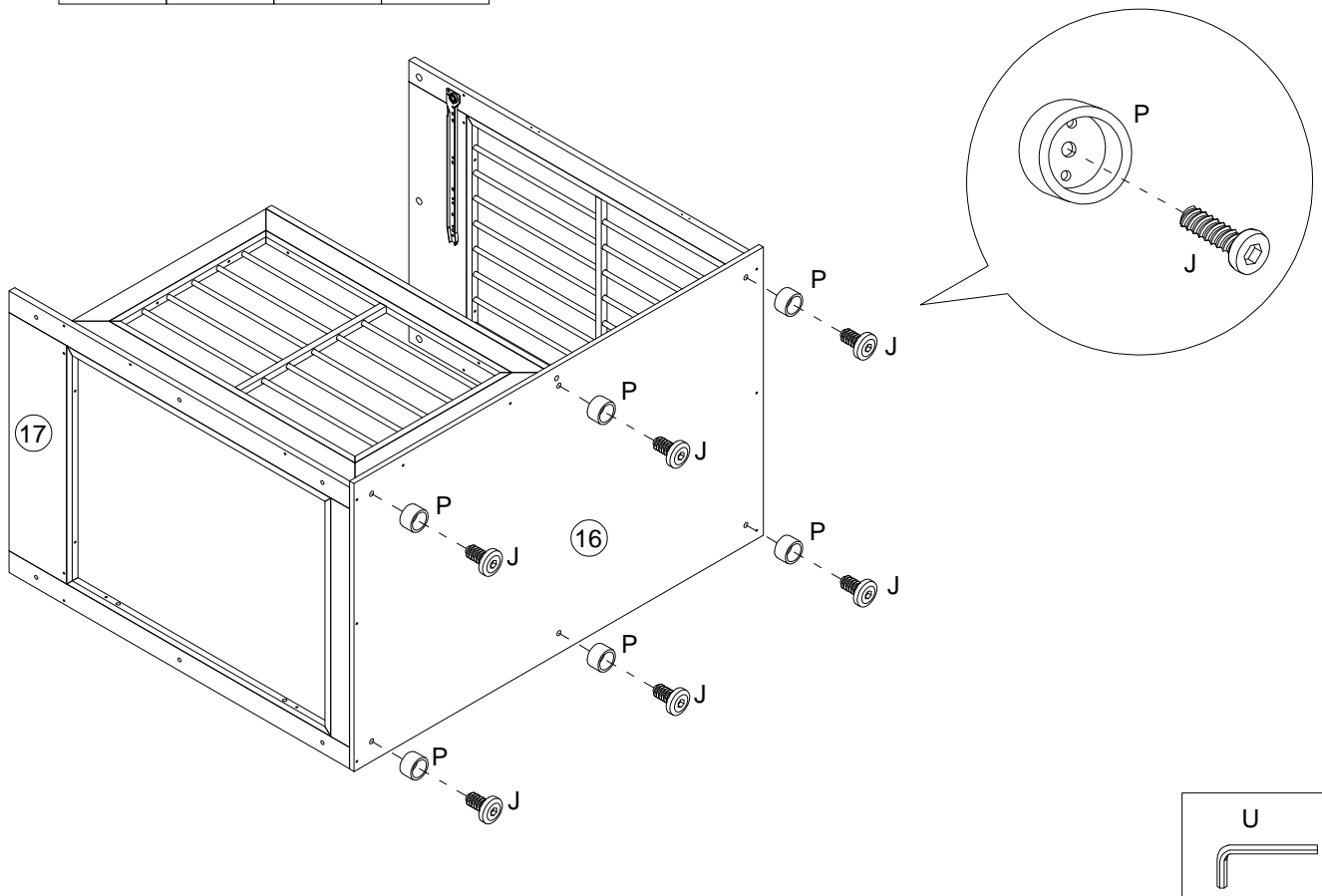


U-Use-I	
V-Use-D	

30

YOU WILL NEED

P x 6	J x 6		
-------	-------	--	--



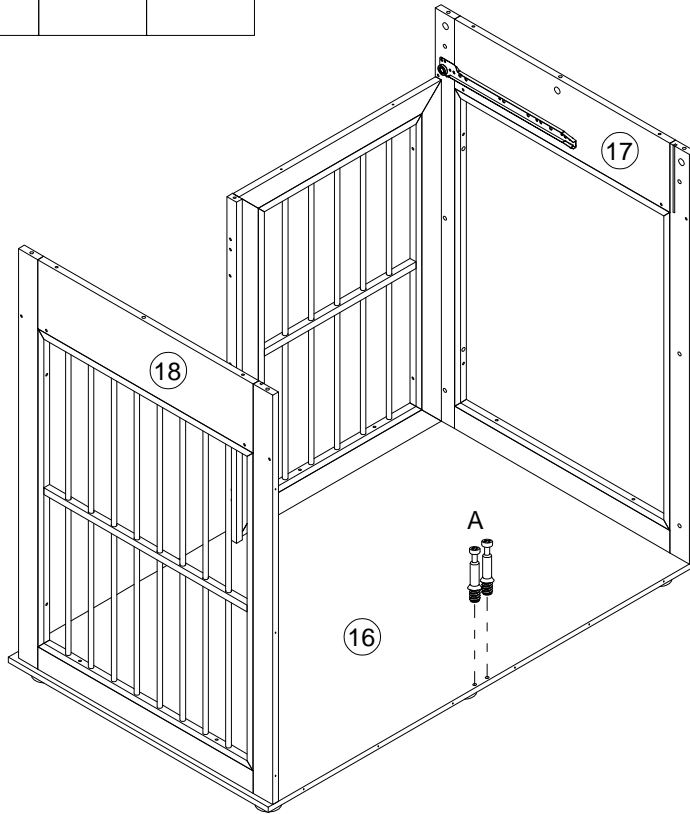
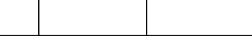
U	
---	--

INSTALLATION STEPS

31

YOU WILL NEED

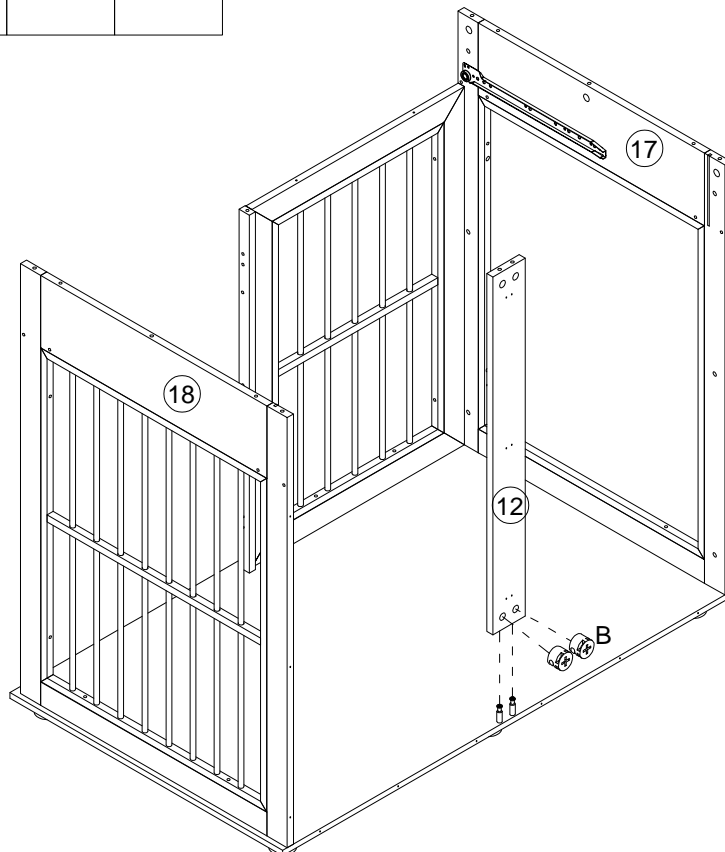
A x 2



32

YOU WILL NEED

B x 2



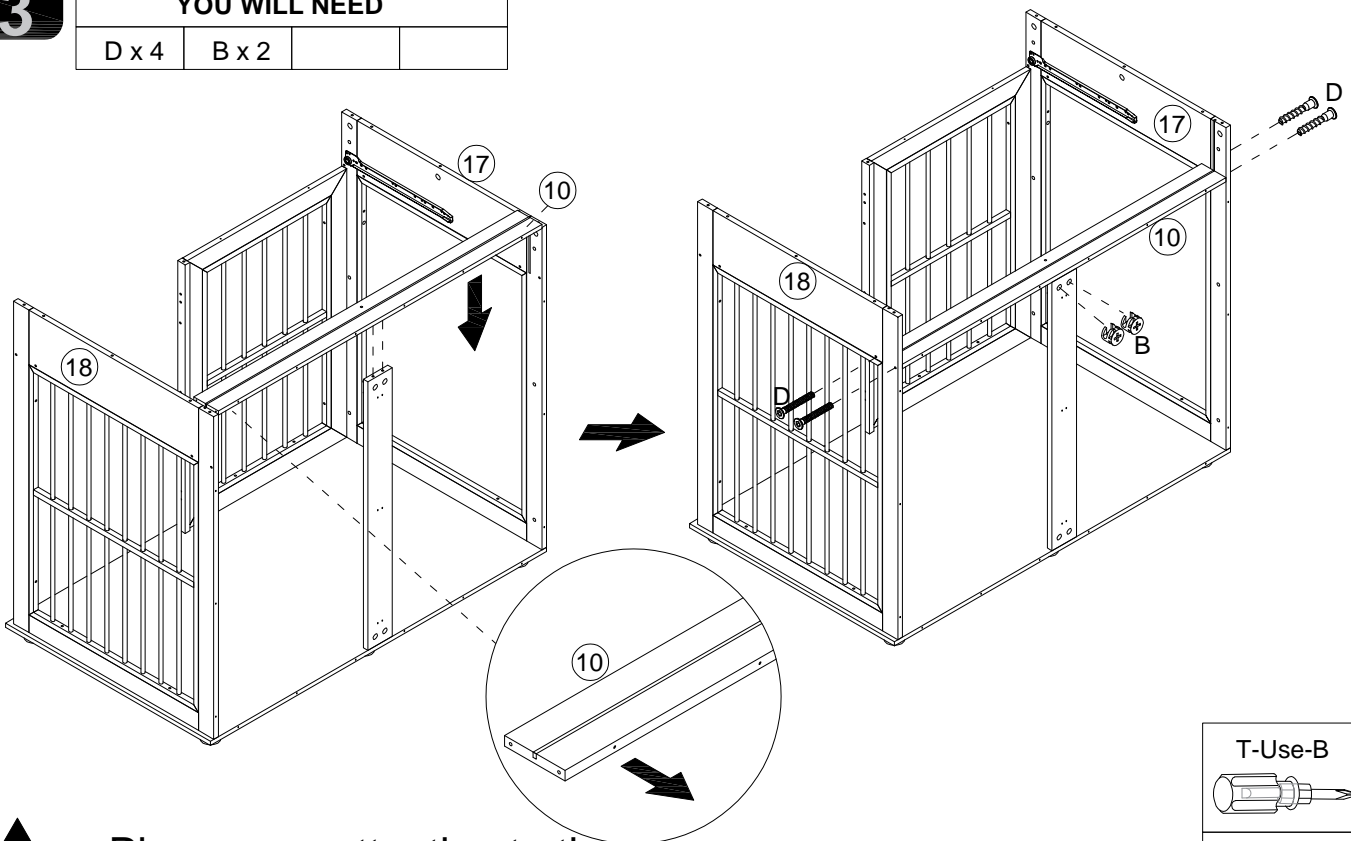
INSTALLATION STEPS

33

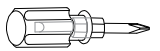
YOU WILL NEED

D x 4

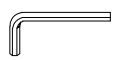
B x 2



T-Use-B



V-Use-D



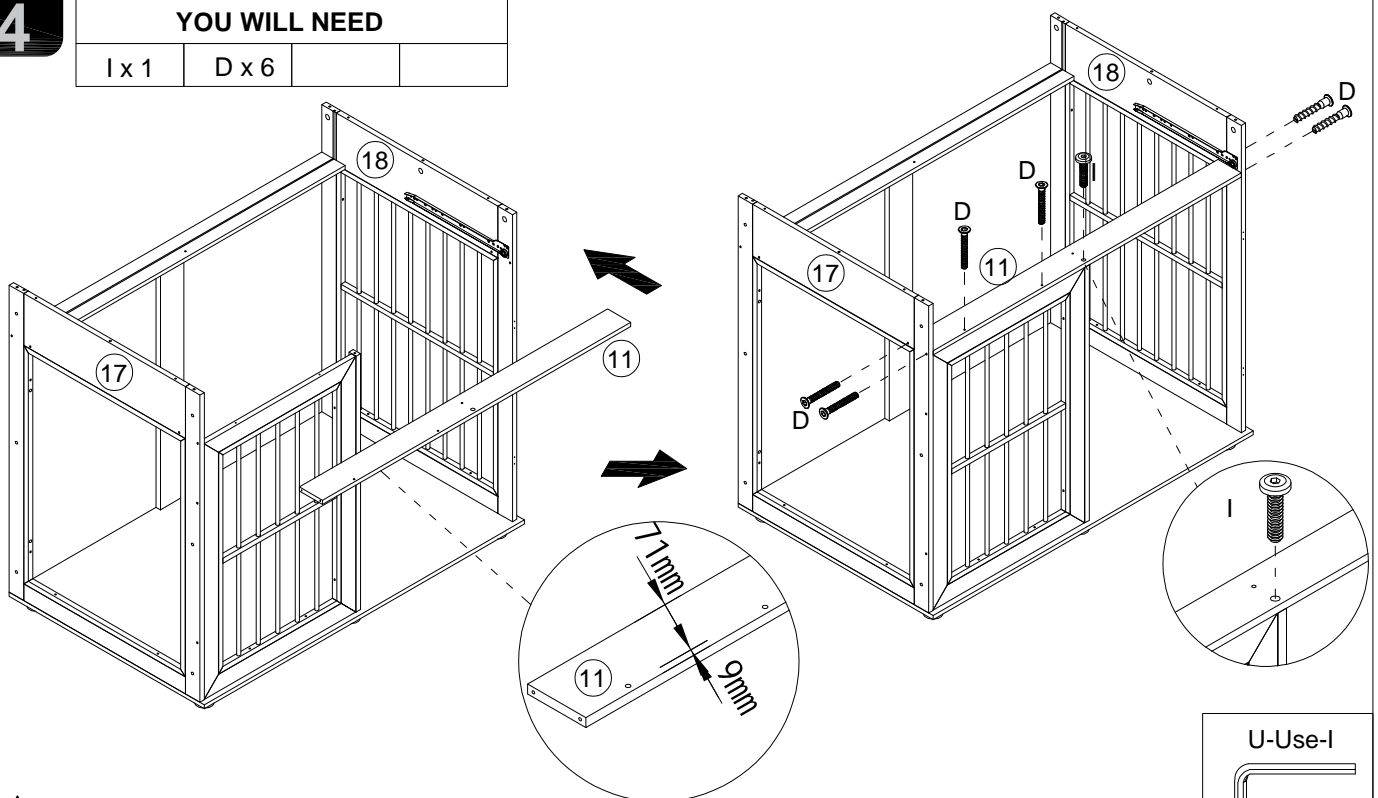
Please pay attention to the direction of the holes in Part #10

34

YOU WILL NEED

I x 1

D x 6



U-Use-I



V-Use-D



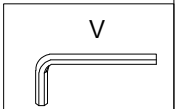
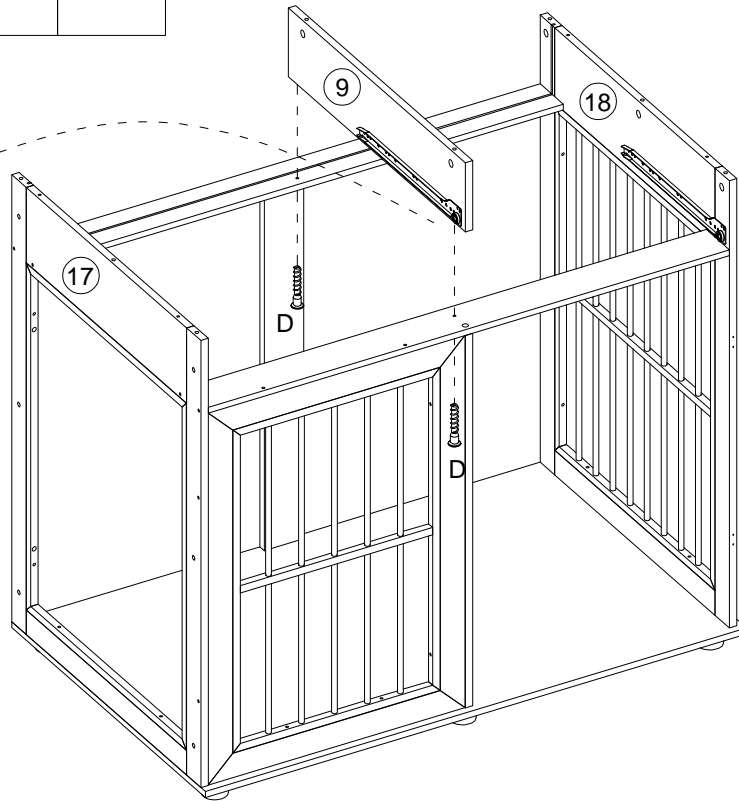
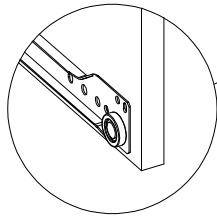
Please pay attention to the direction of the holes in Part #11

INSTALLATION STEPS

35

YOU WILL NEED

D x 2

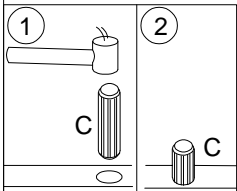
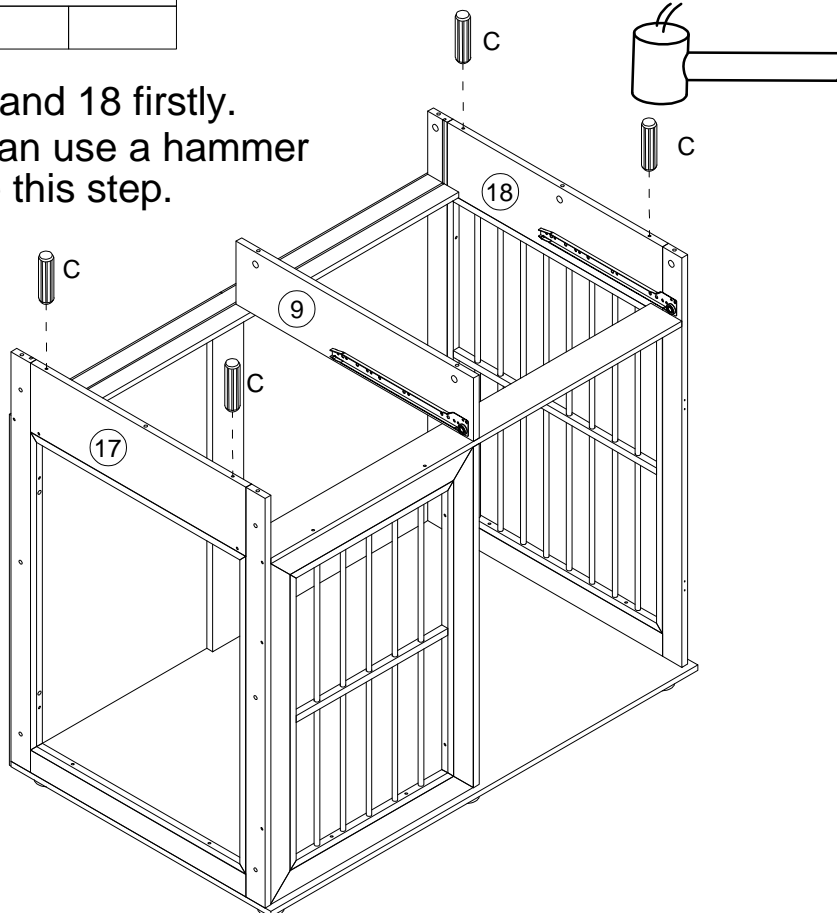


36

YOU WILL NEED

C x 4

Insert C into Part 17 and 18 firstly.
If it is too tight, you can use a hammer to help you complete this step.

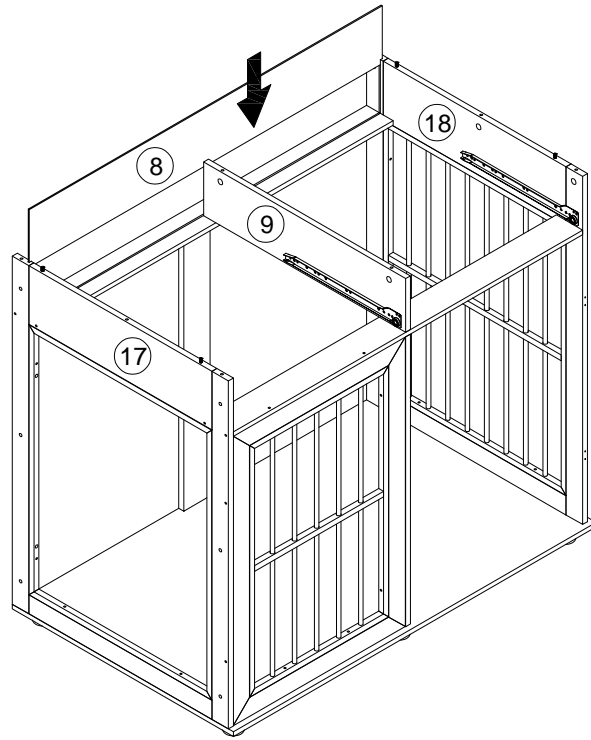


INSTALLATION STEPS

37

YOU WILL NEED

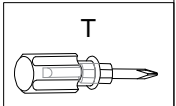
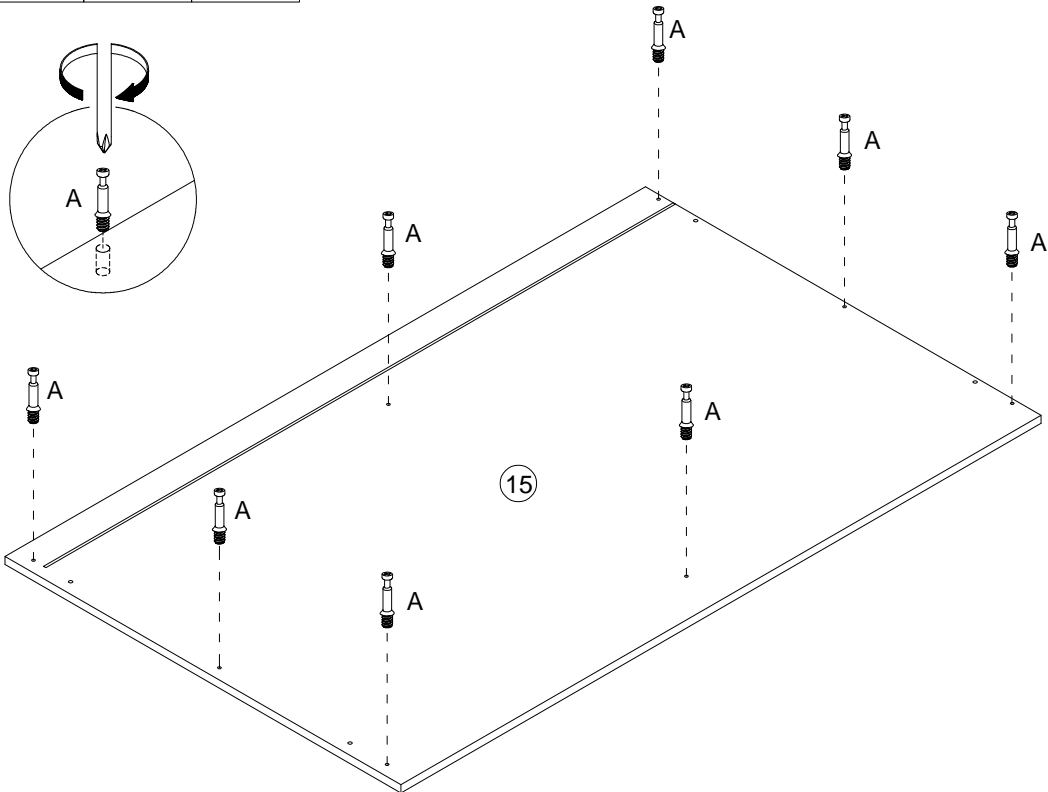
--	--	--	--



38

YOU WILL NEED

A x 8

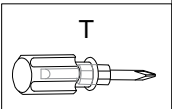
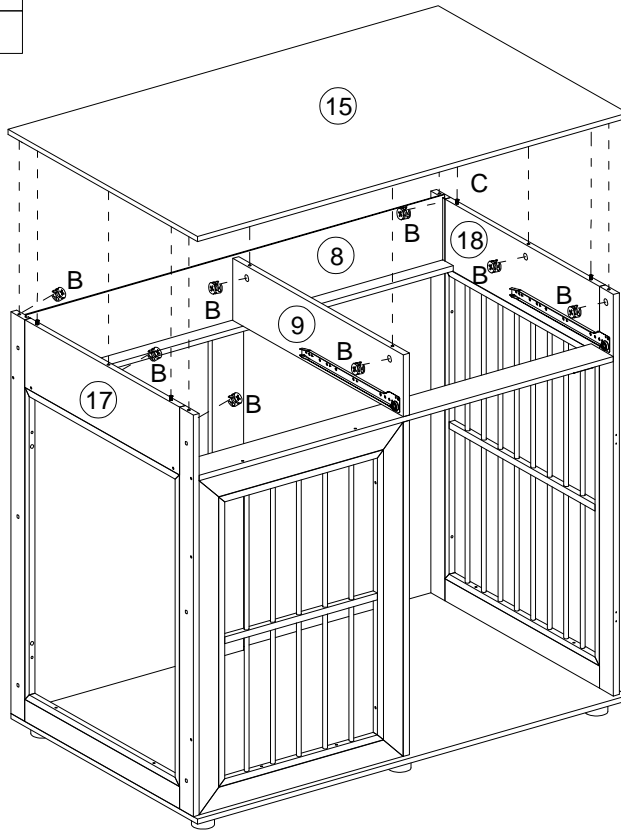
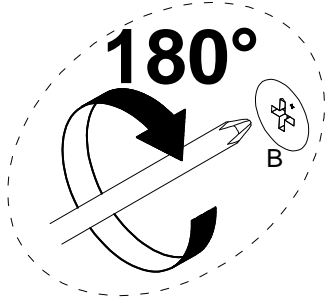


INSTALLATION STEPS

39

YOU WILL NEED

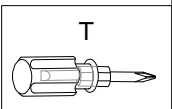
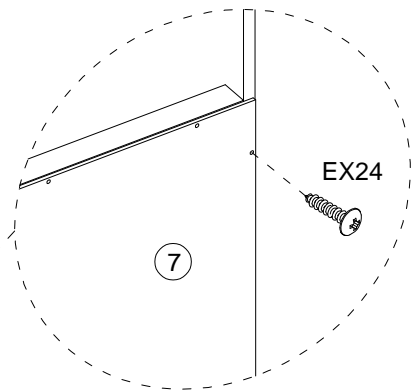
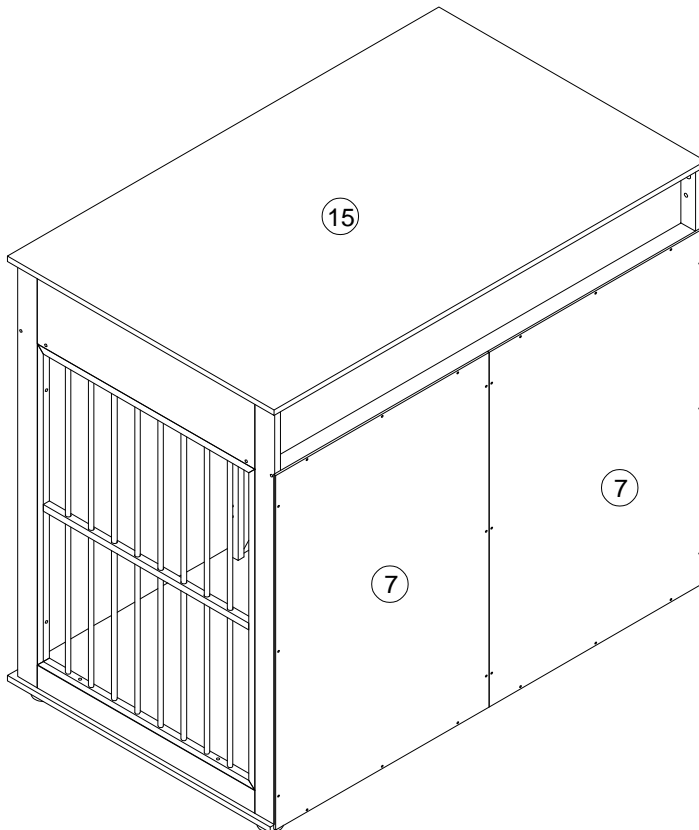
B x 8			
-------	--	--	--



40

YOU WILL NEED

E x 24			
--------	--	--	--

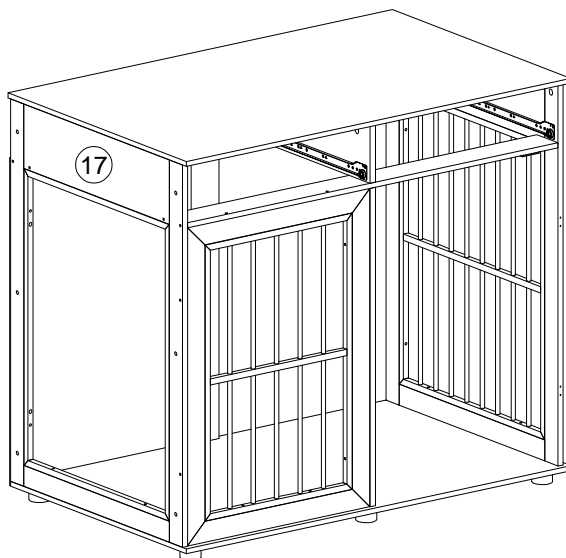
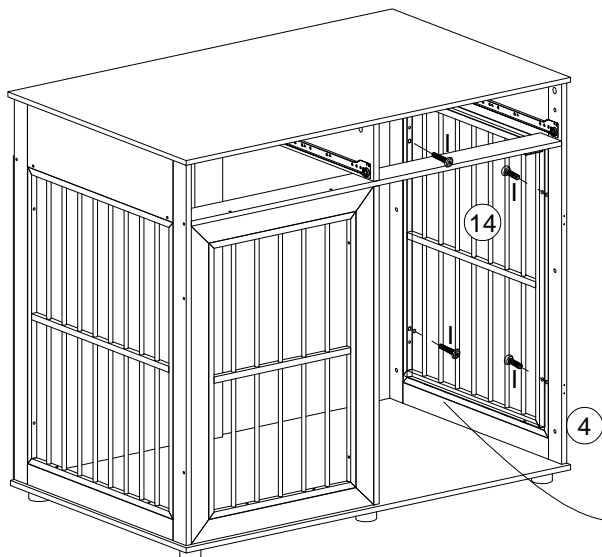


INSTALLATION STEPS

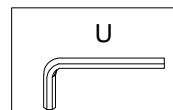
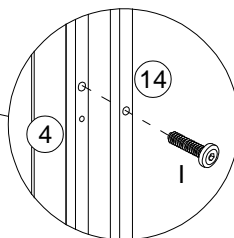
41

YOU WILL NEED

l x 4



Component 14 can be installed on both sides

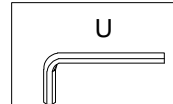
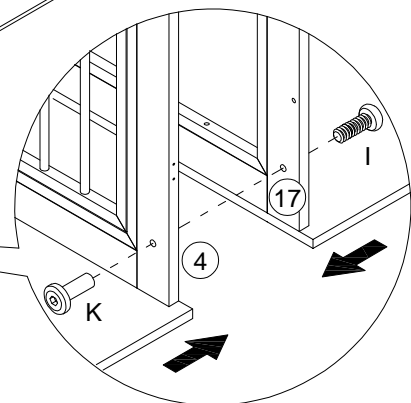
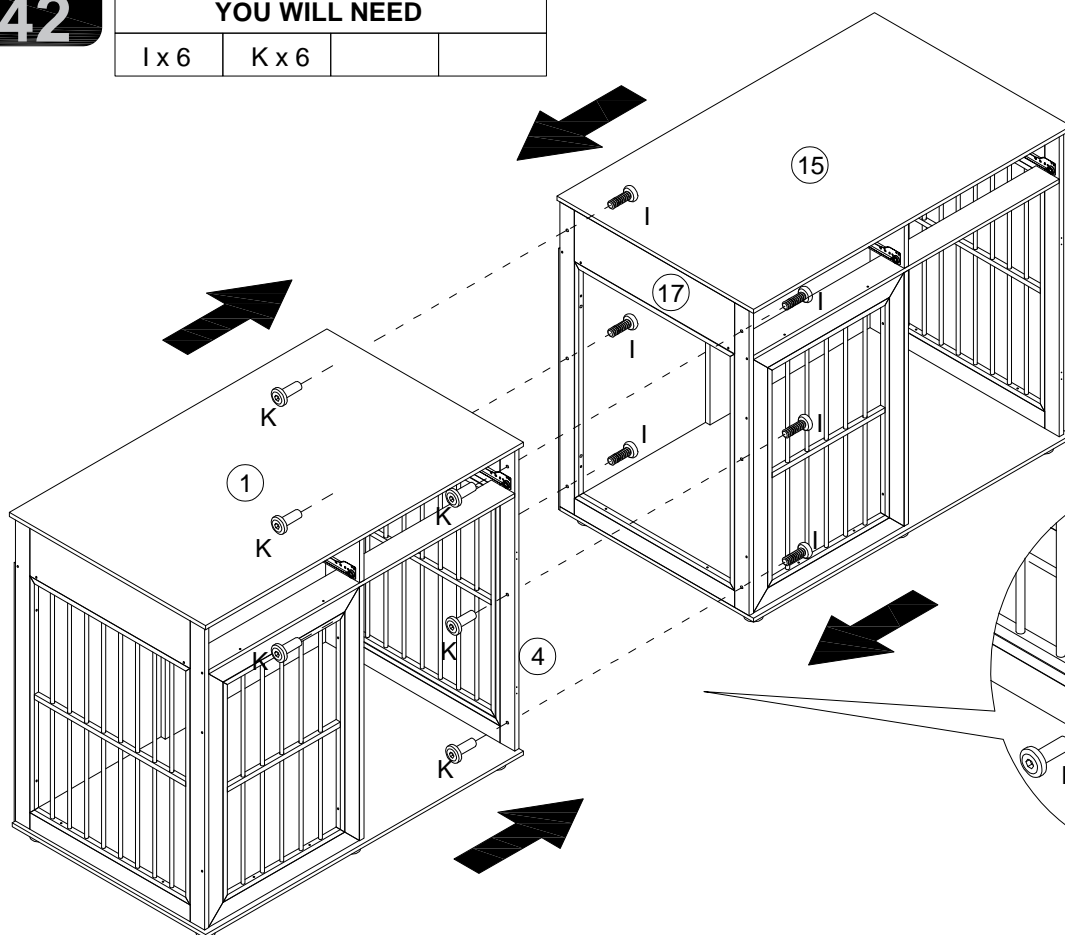


42

YOU WILL NEED

l x 6

K x 6



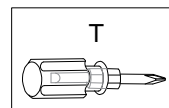
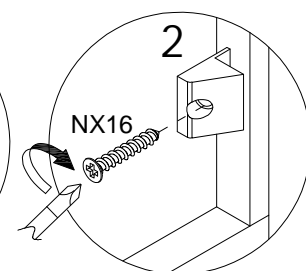
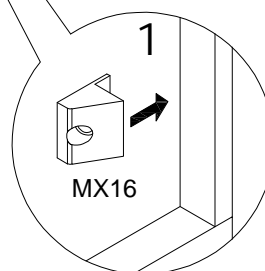
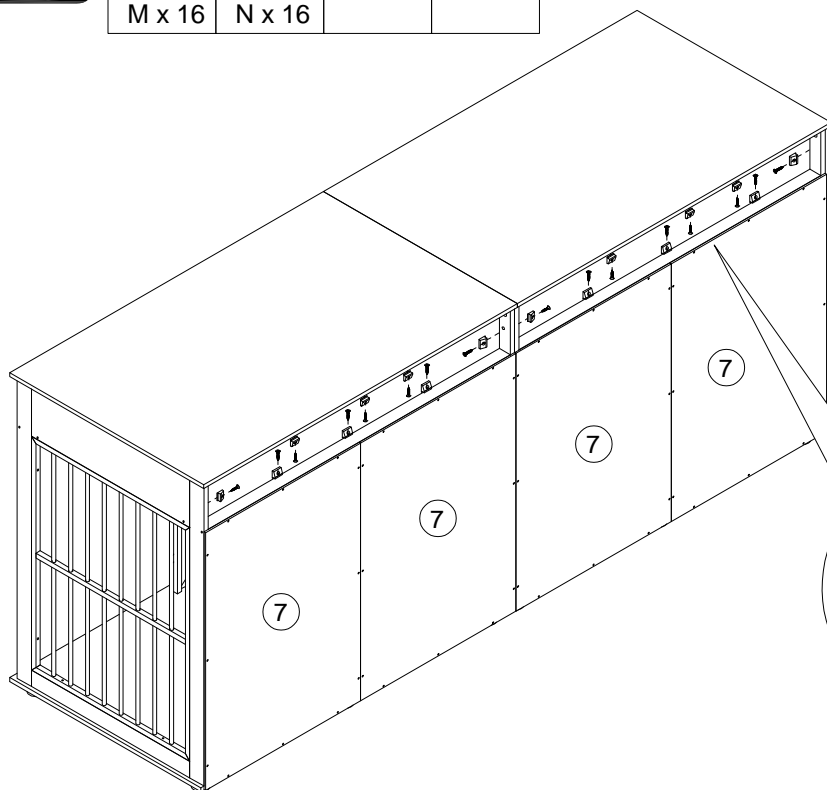
INSTALLATION STEPS

43

YOU WILL NEED

M x 16

N x 16

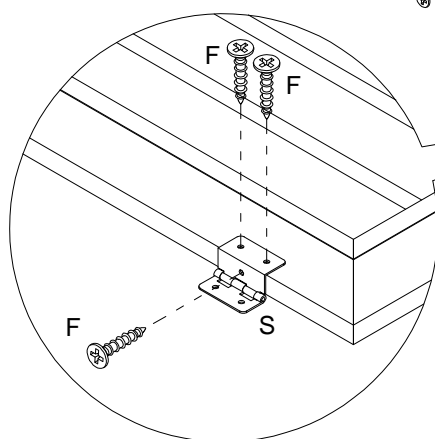
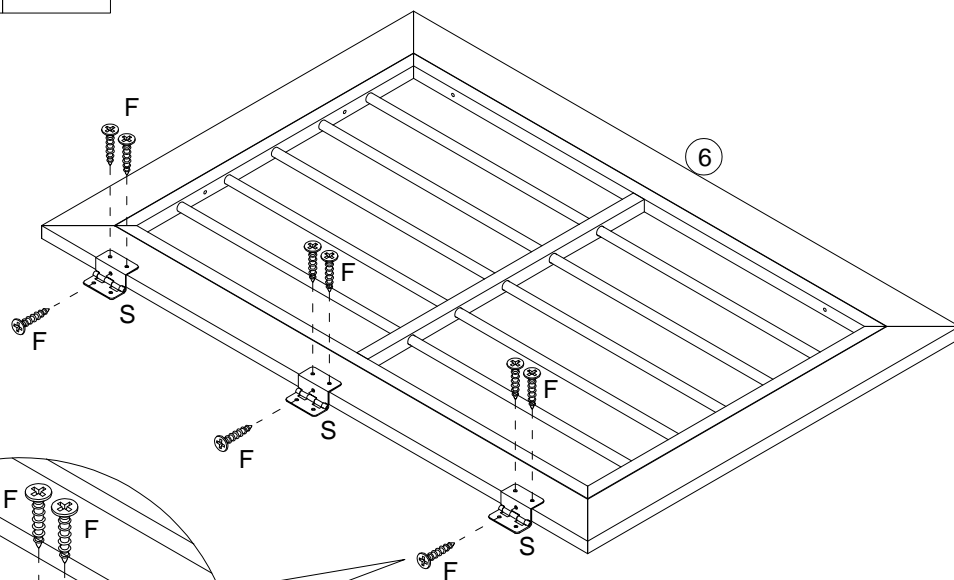


44

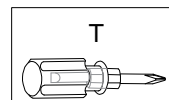
YOU WILL NEED

F x 18

S x 6



X 2

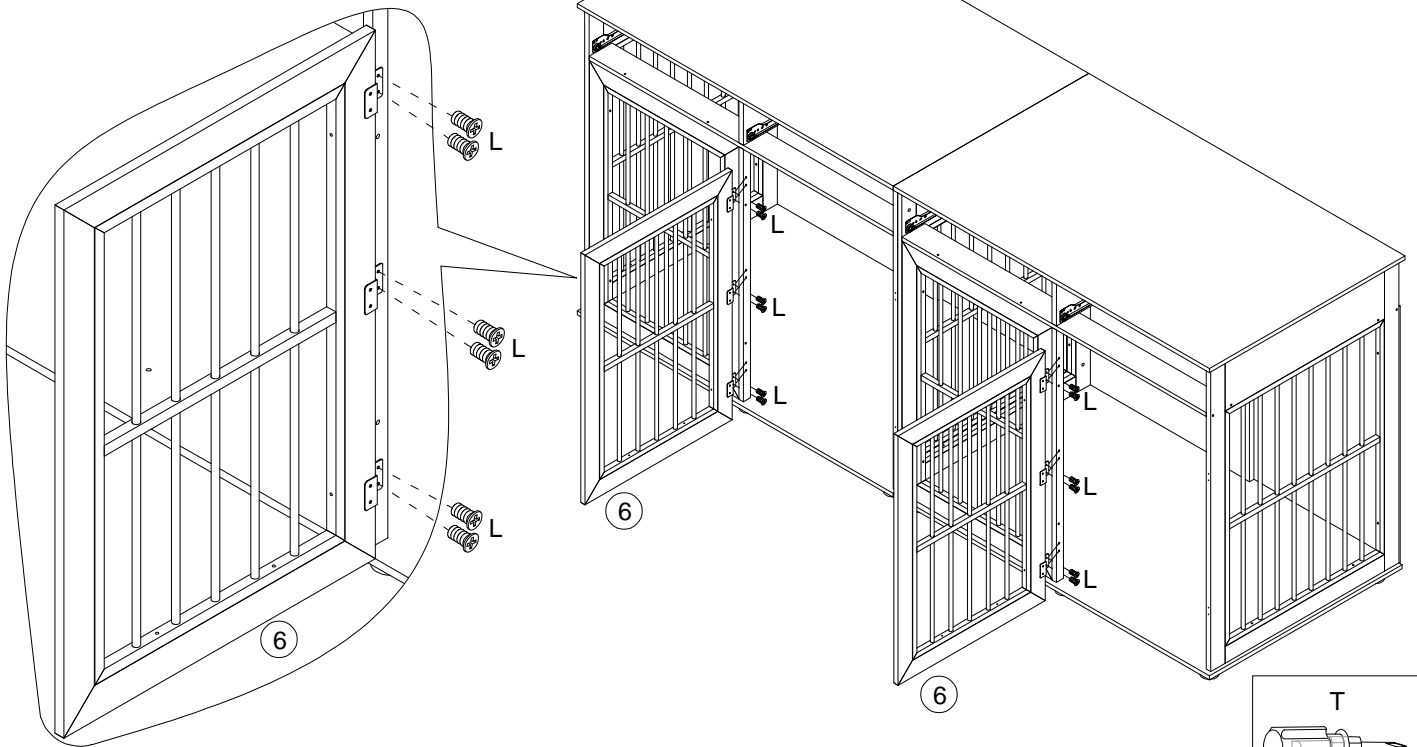


INSTALLATION STEPS

45

YOU WILL NEED

L x 12

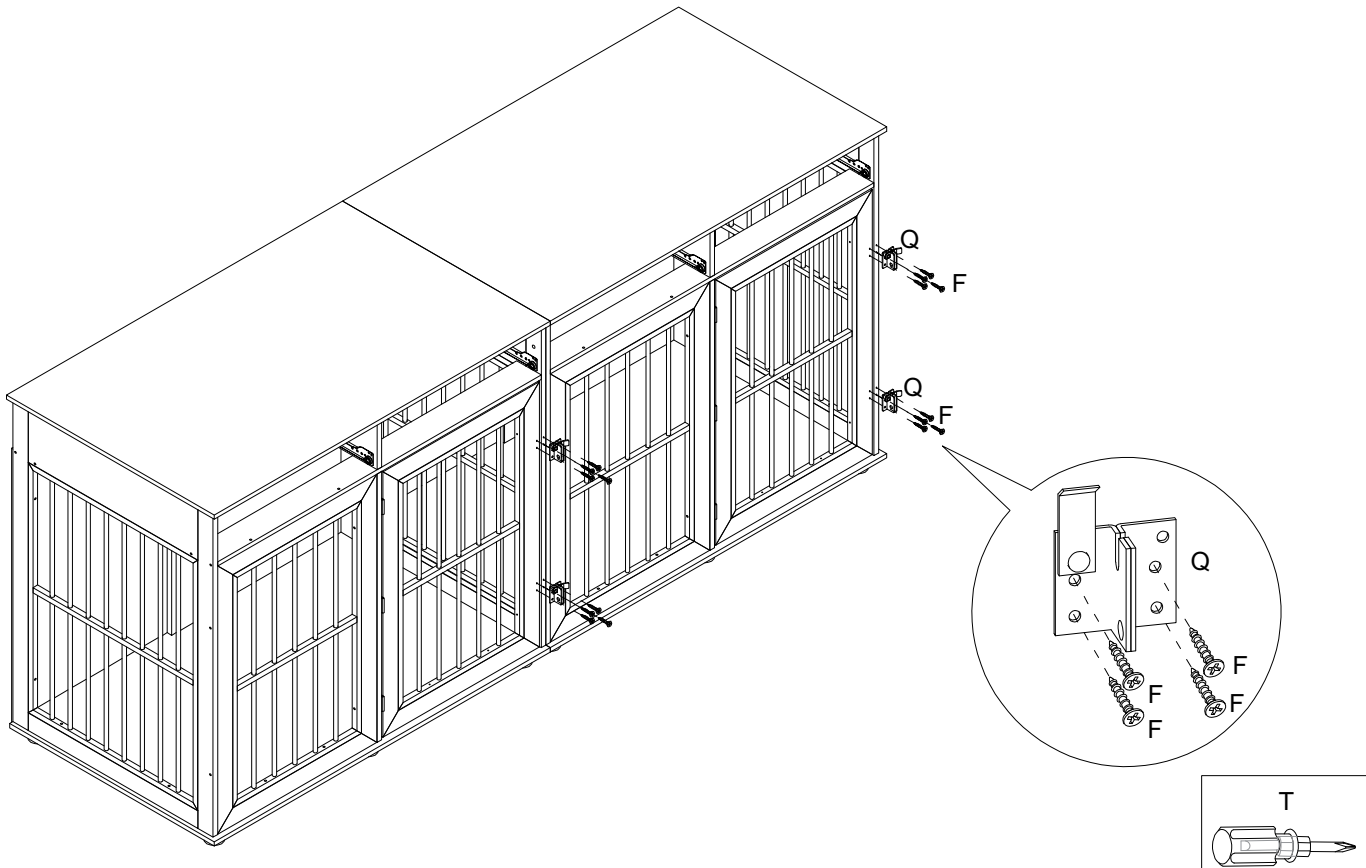


46

YOU WILL NEED

Q x 4

F x 16

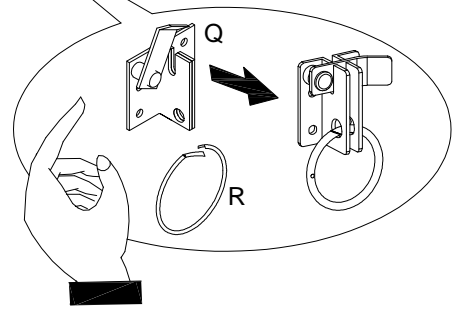
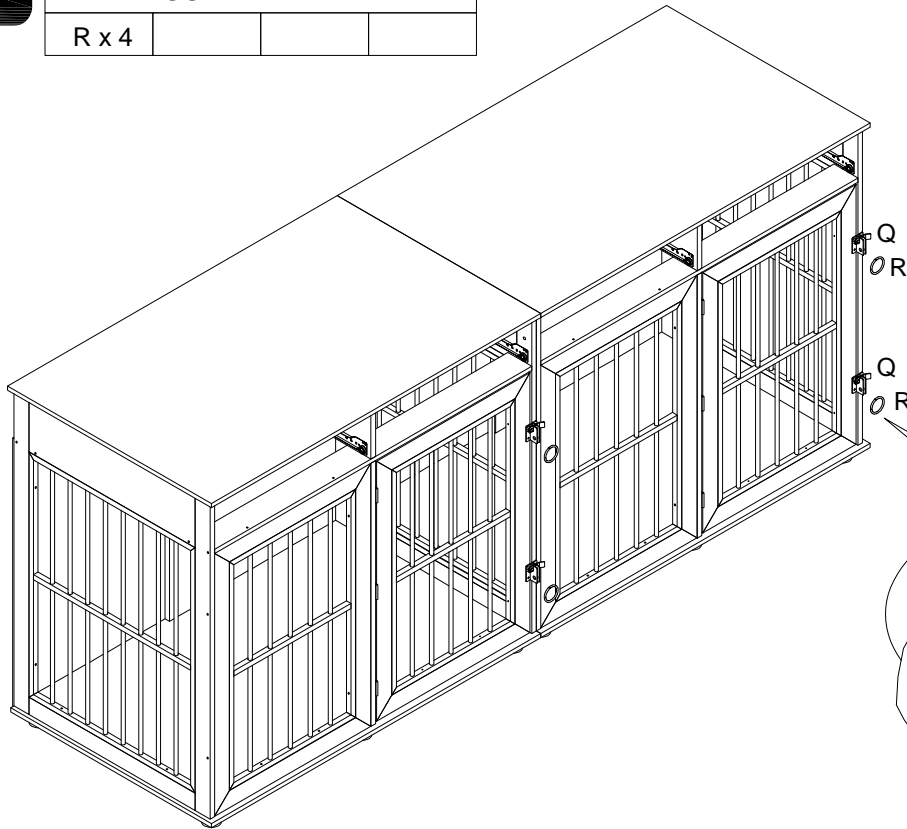


INSTALLATION STEPS

47

YOU WILL NEED

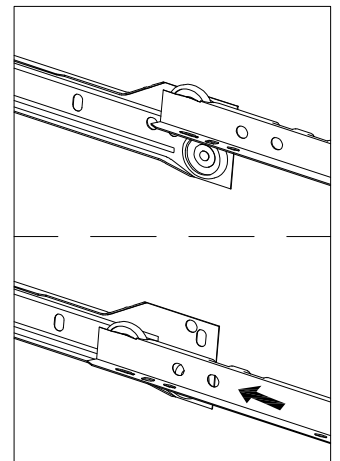
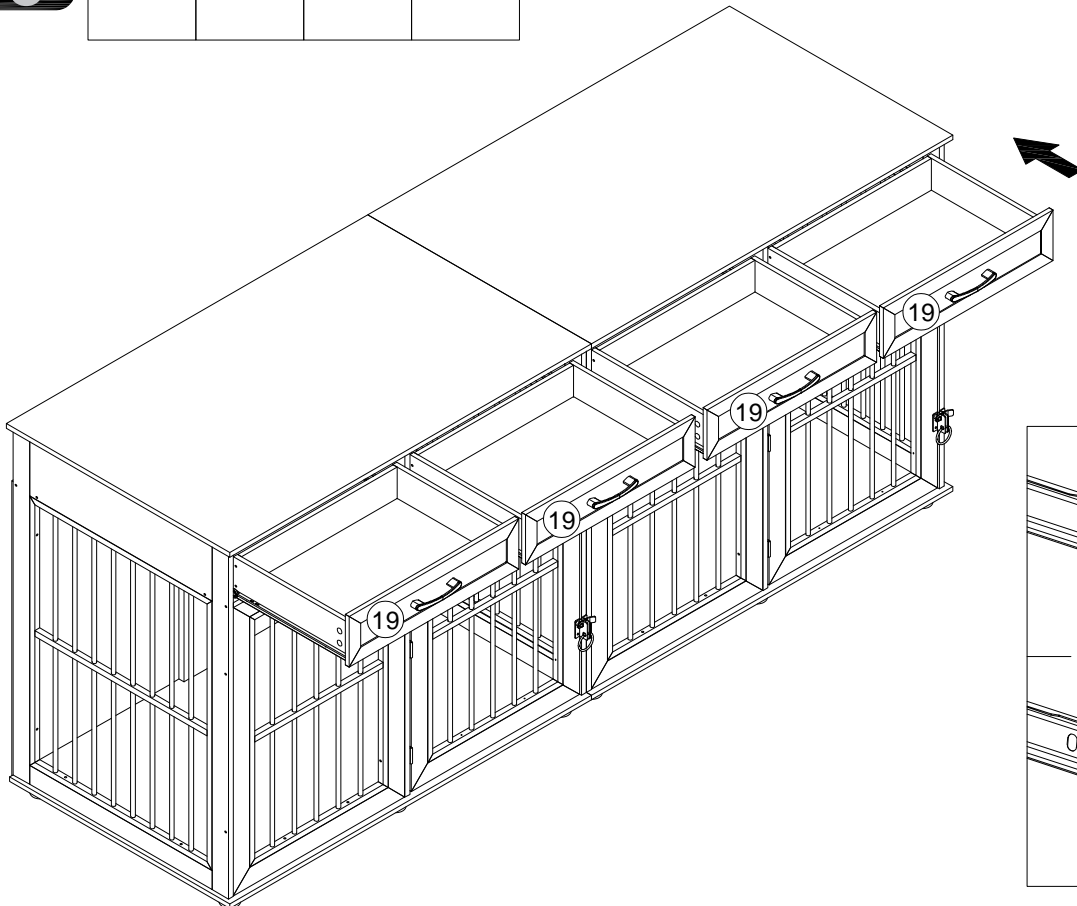
R x 4



48

YOU WILL NEED

--	--	--	--



INSTALLATION STEPS

49

