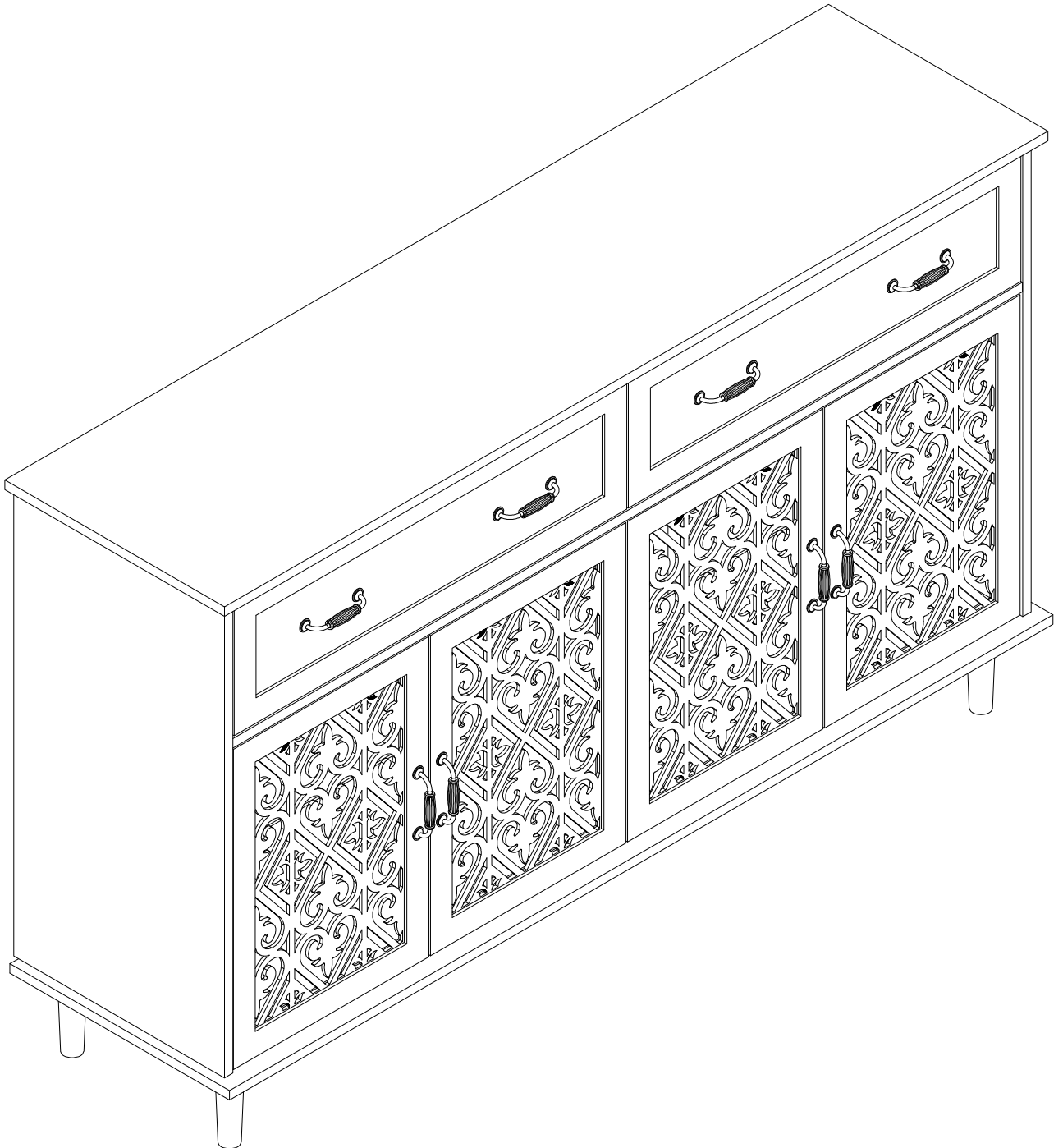


Installation Instruction



Product name

4 Door 2 Drawer Cabinet

Ver.1.0 20250625

- Do not use power tools to assemble your furniture. Power tools may strip or damage the parts.



Friendly Reminder:

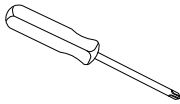
Assembling with damaged panels may affect after-sales service. Please check the integrity of all panels before assembly. If any damage is found:

- ✓ Take photos of the damaged area from multiple angles (preferably under natural light)
- ✓ Keep all packaging materials
- ✓ Do not assemble the product and contact online customer service immediately

Assembling

What you need

- Use the packaging carton as a working surface to prevent product damage during assembly
- Phillips head screwdriver



Weight Limitation



50



22



11

lbs table top

lbs per sheif

lbs per drawer

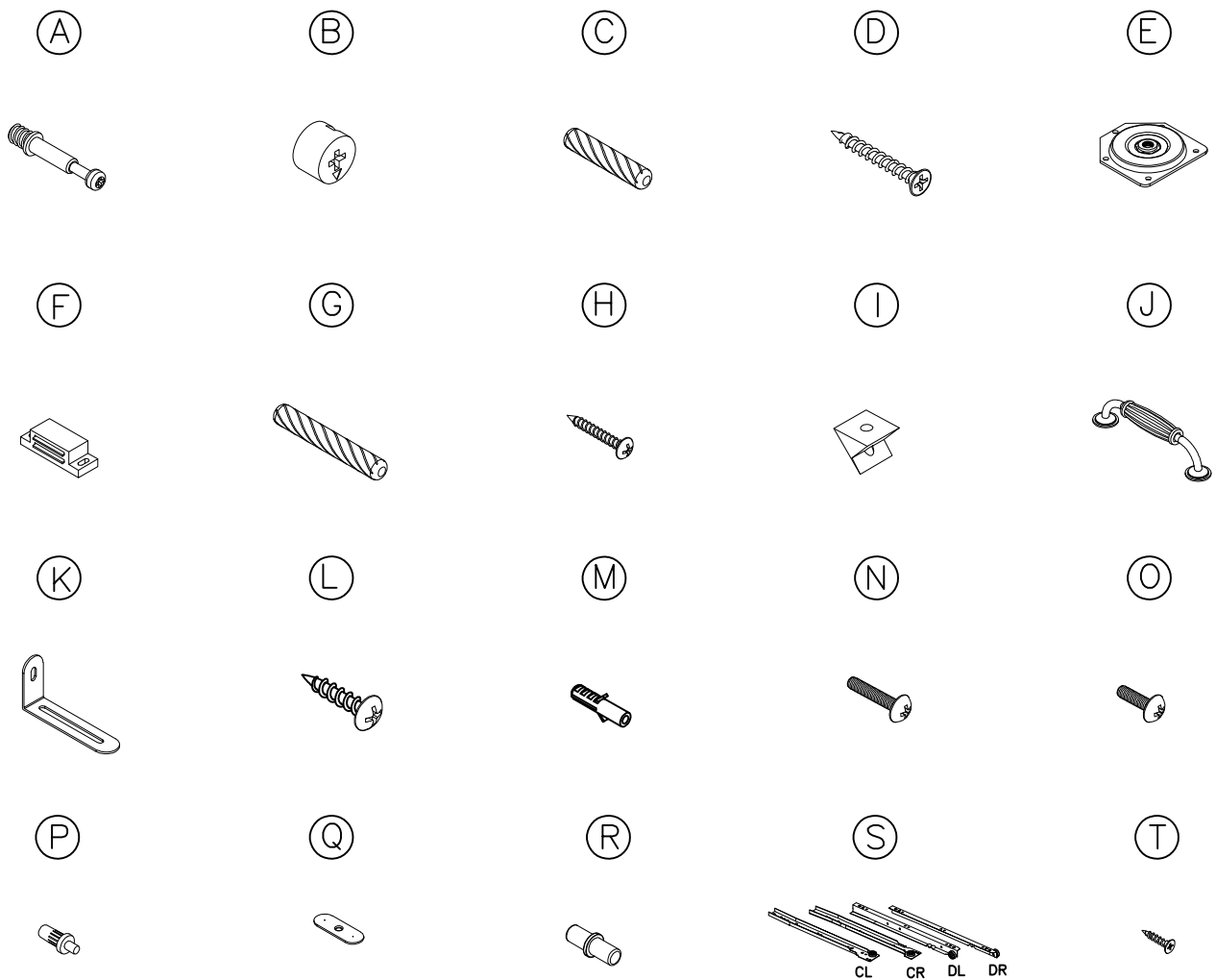


2 PERSONS

What ' s included

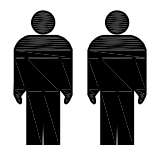
Code	Description	Qty
A	Cam Bolt Ø6X35mm	36
B	Cam Lock Ø15X10mm	36
C	Wooden Dowel Ø6X30mm	18
D	Screw M4X35mm	26
E	Metal Pin	4
F	Magnetic Door Catcher	2
G	Wooden Dowel Ø6X50mm	3
H	Screw M3X16mm	20
I	Plastic Corner Support	16
J	handle	8
K	Metal Plate	2
L	Screw M4X14mm	22
M	Anchor	2
N	Bolt M4X18mm	8
O	Bolt M4X8mm	8
P	Metal Pin	8
Q	Metal plate	4
R	MetaL Support	8
S	Slideway	2
T	Screw M3X12mm	28

The hardwares



IMPORTANT:

1. Do not tighten bolts / screws completely until all bolts / screws are lined up and inserted into holes.
2. Do not over tighten screws and bolts to avoid stripping.
3. Please use hand tools to assemble this product. Do not use power tools.
4. Must need 2 people to assemble this product.

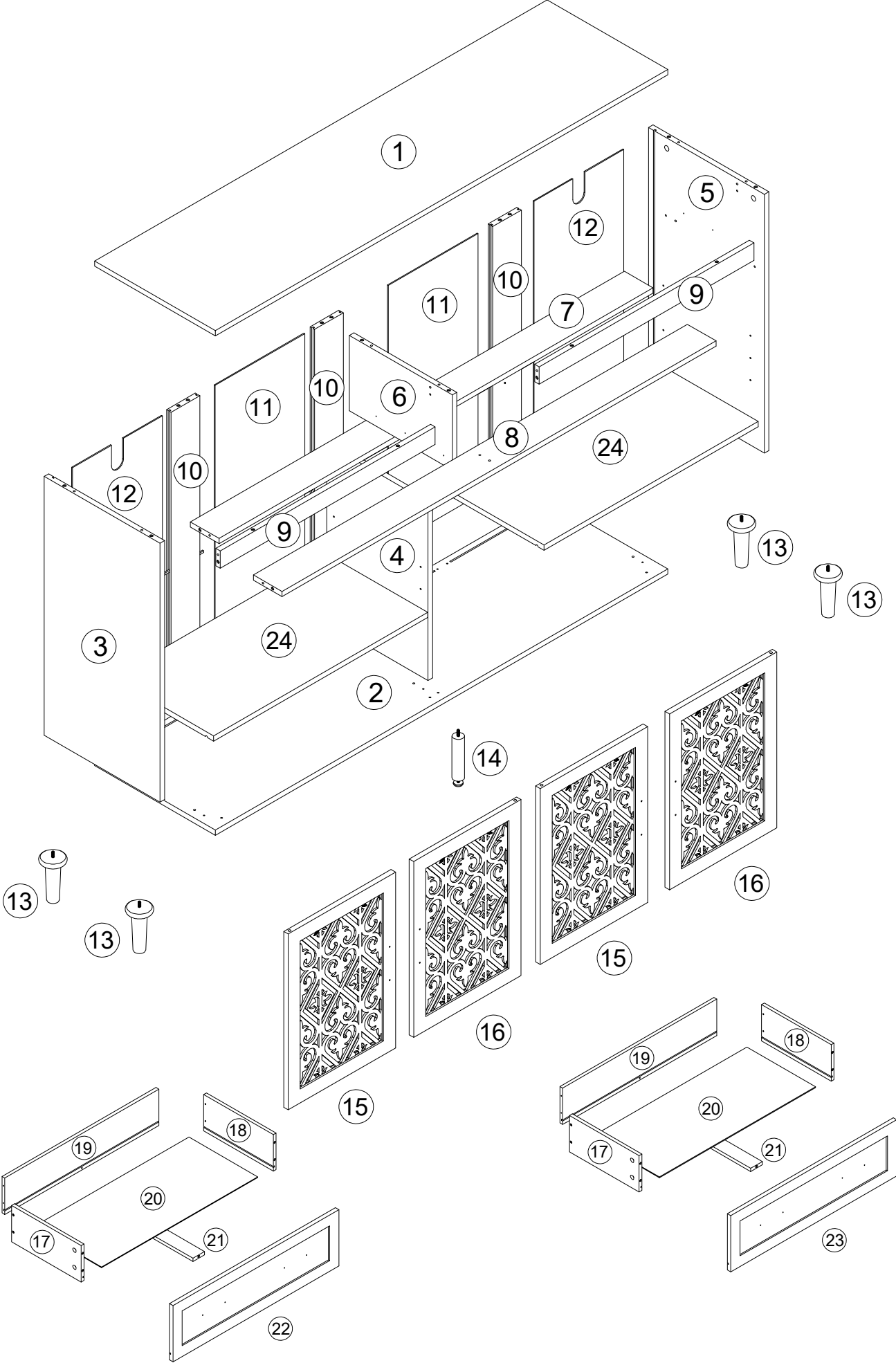


2 PERSONS

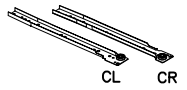

Included Accessories

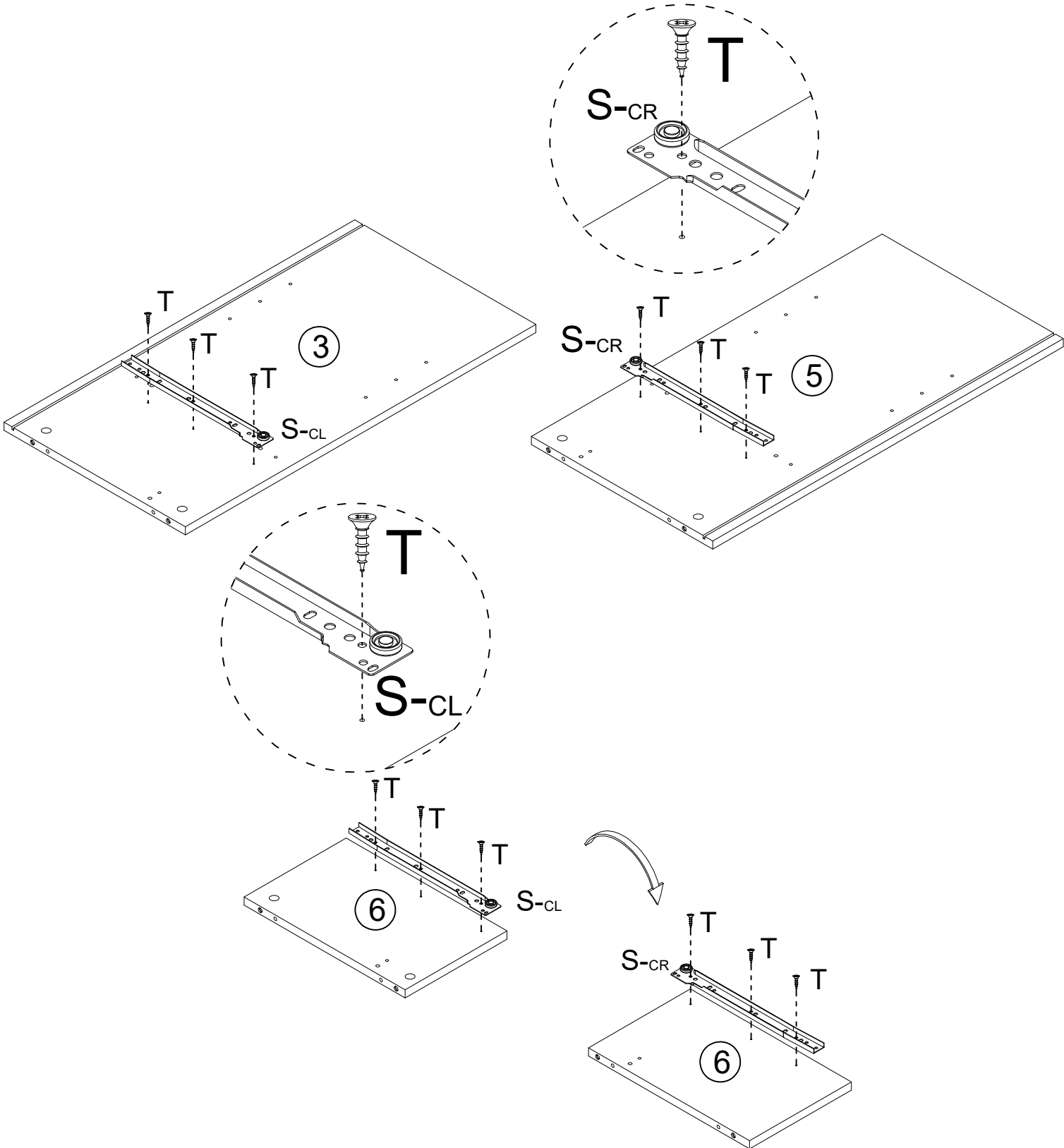
Code	Description	Qty
1	Cabinet Top	1
2	Bottom Panel	1
3	Left Side Panel	1
4	Middle Division Panel	1
5	Right Side Pane	1
6	Middle Division Panel	1
7	Drawer Supporting bar	1
8	Drawer Supporting bar	1
9	Supporting bar	2
10	Back Stretcher	3
11	Middle Back Panel	2
12	Left and right sides - Back Panel	2
13	leg	4
14	leg	1
15	Left door	2
16	Right door	2
17	The left panel of the drawer	2
18	The right panel of the drawer	2
19	Drawer back panel	2
20	Drawer-bottom board	2
21	Supporting bar	2
22	Drawer panel	1
23	Drawer panel	1
24	Shelf	2

The Accessories

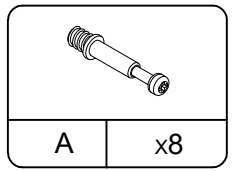


Step 1

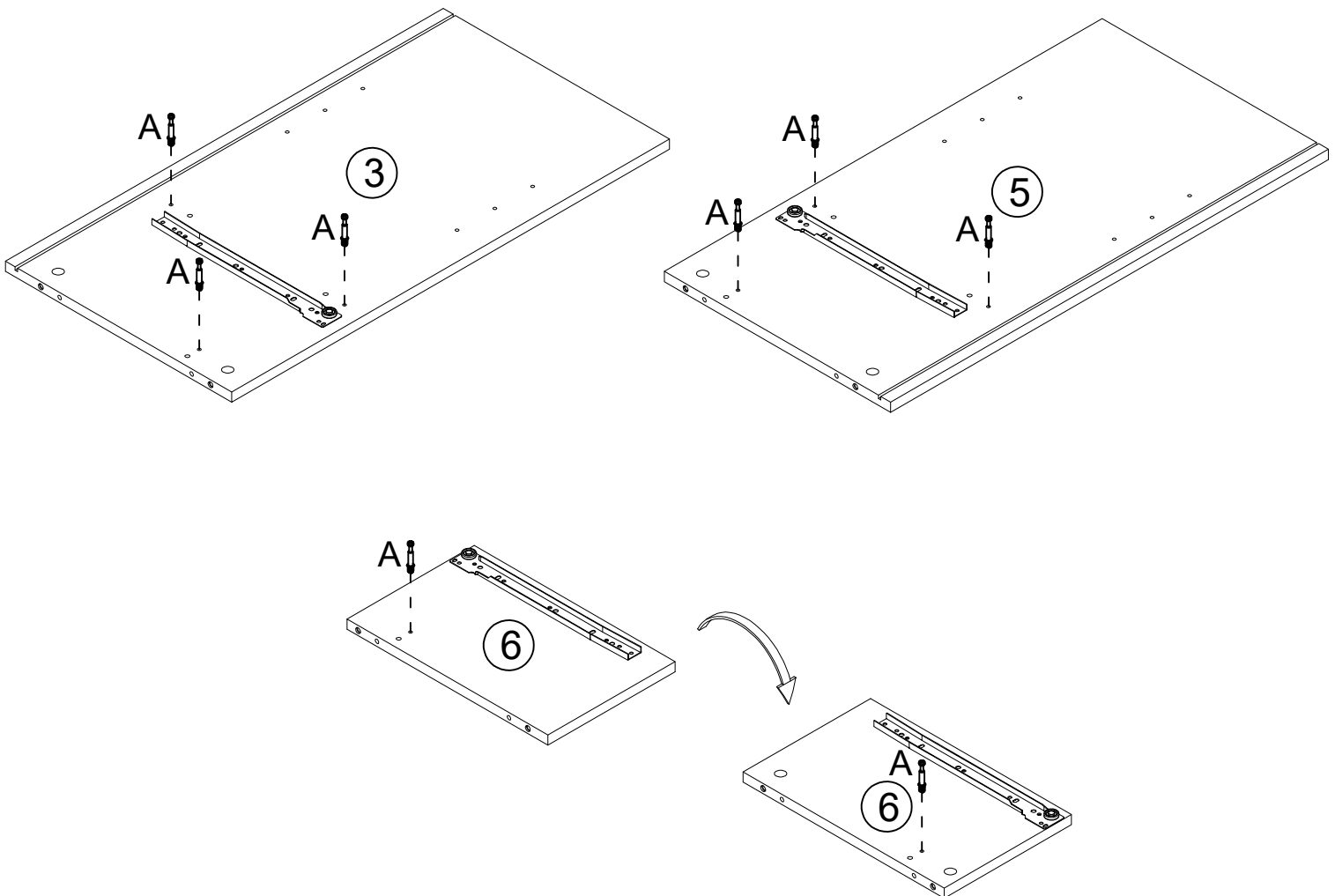
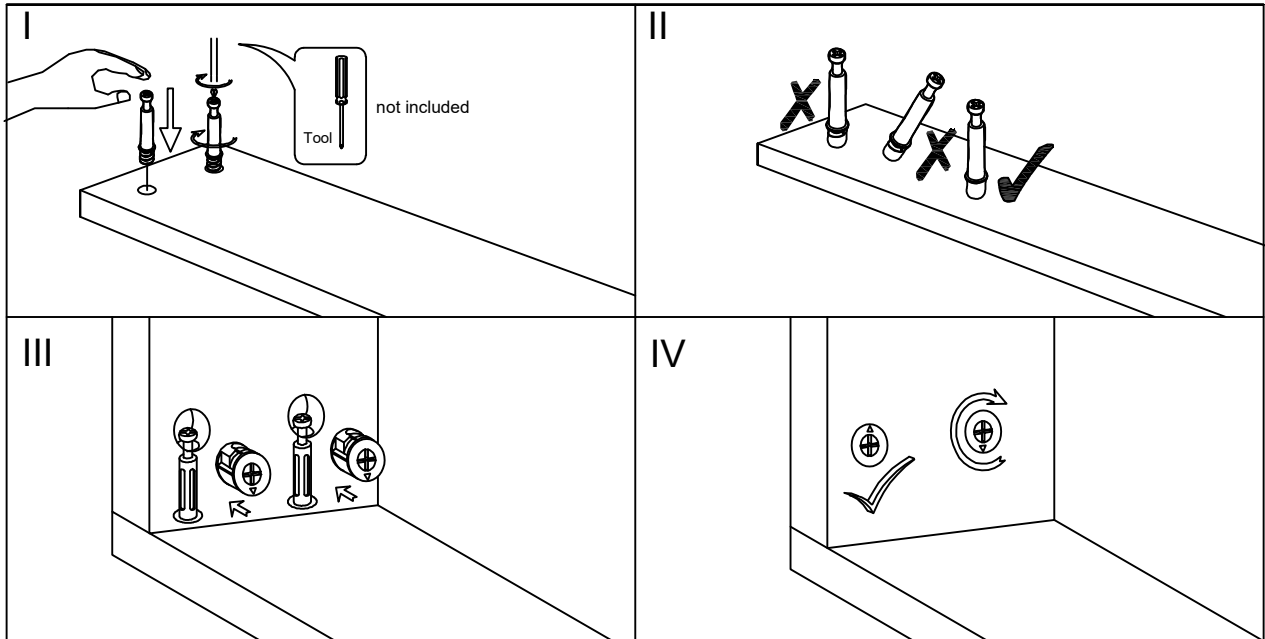
			
S	x2	T	x12



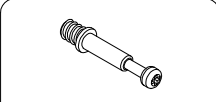
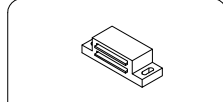

Step 2

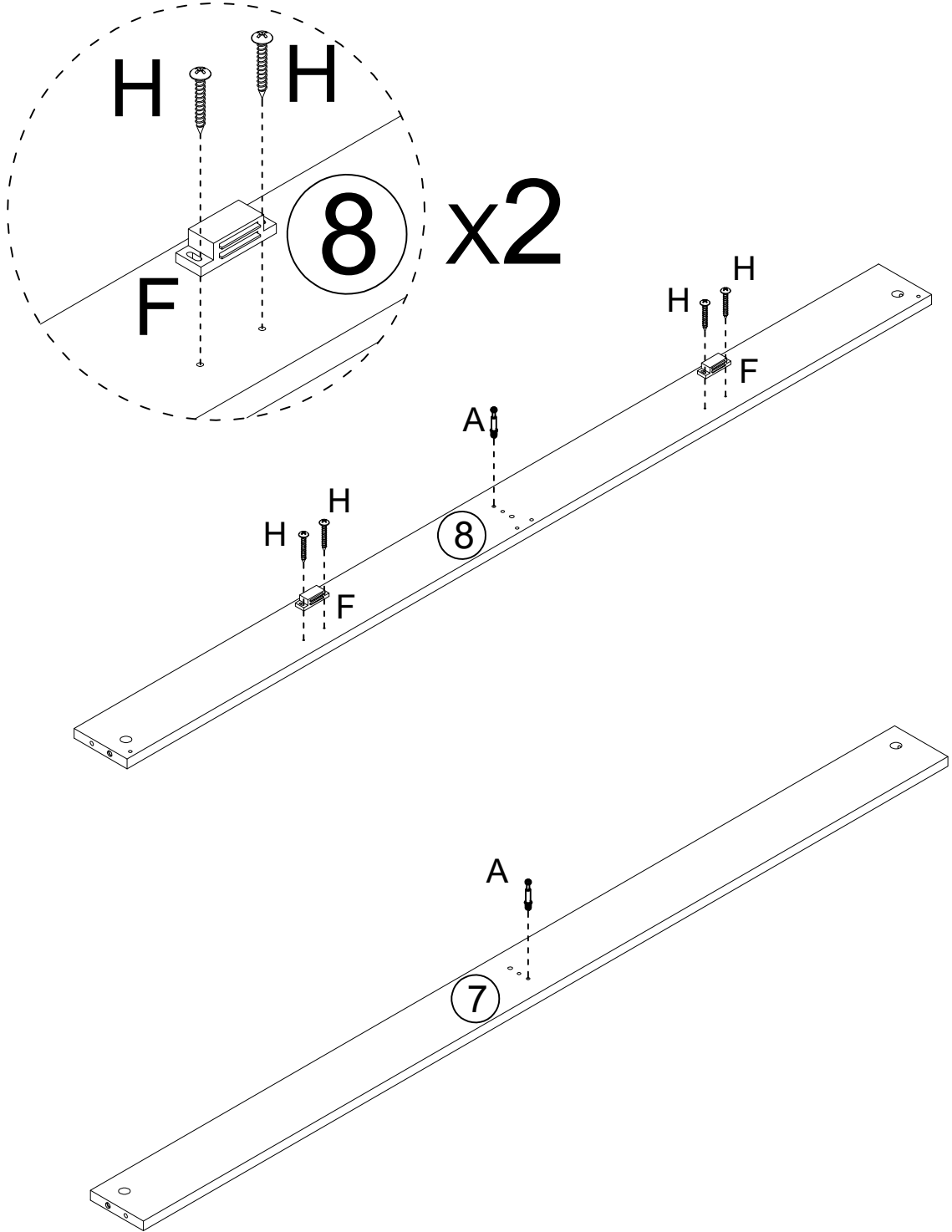


NOTED:

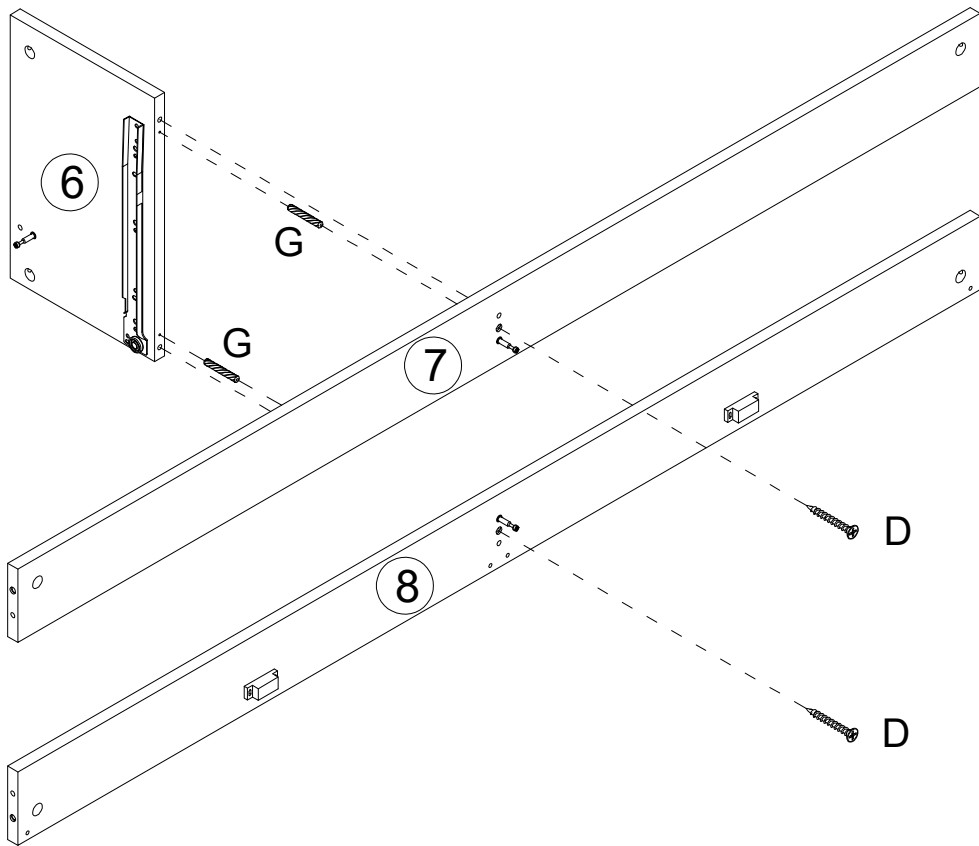
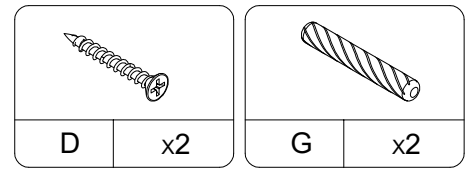


Step 3




					
A	x2	F	x2	H	x4

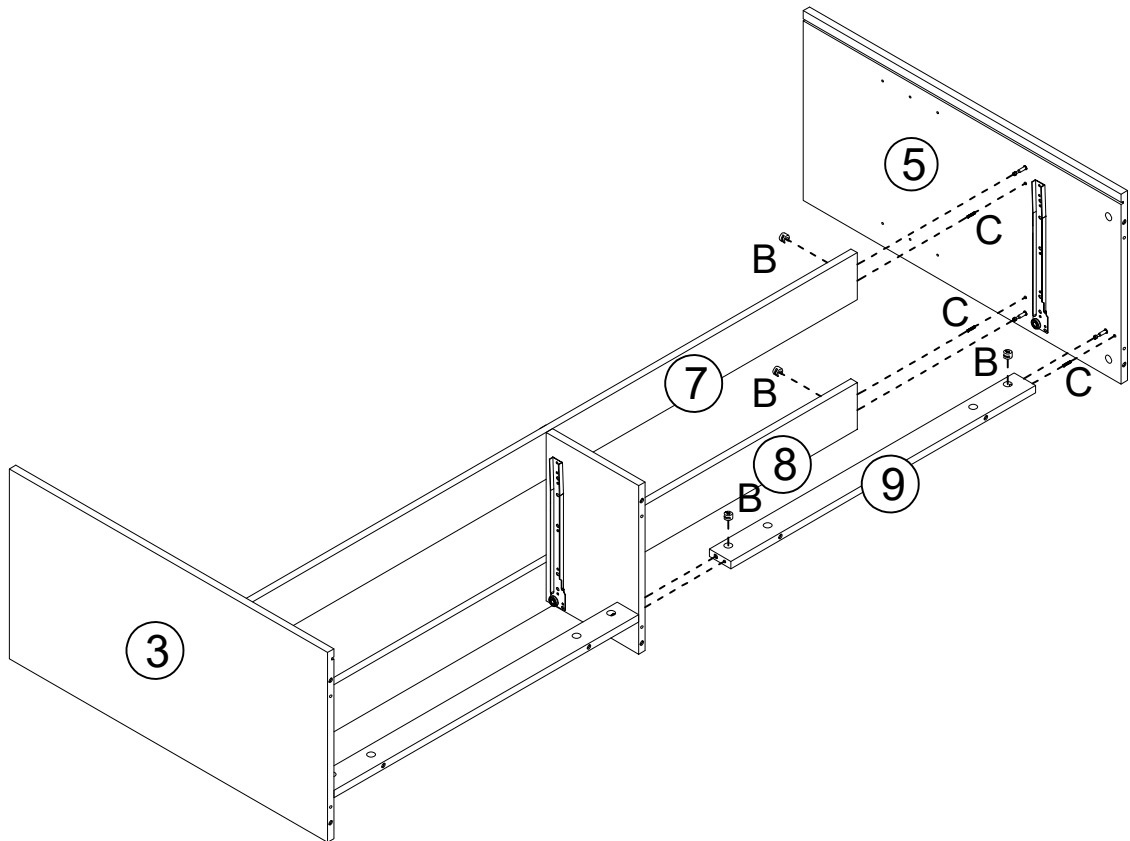
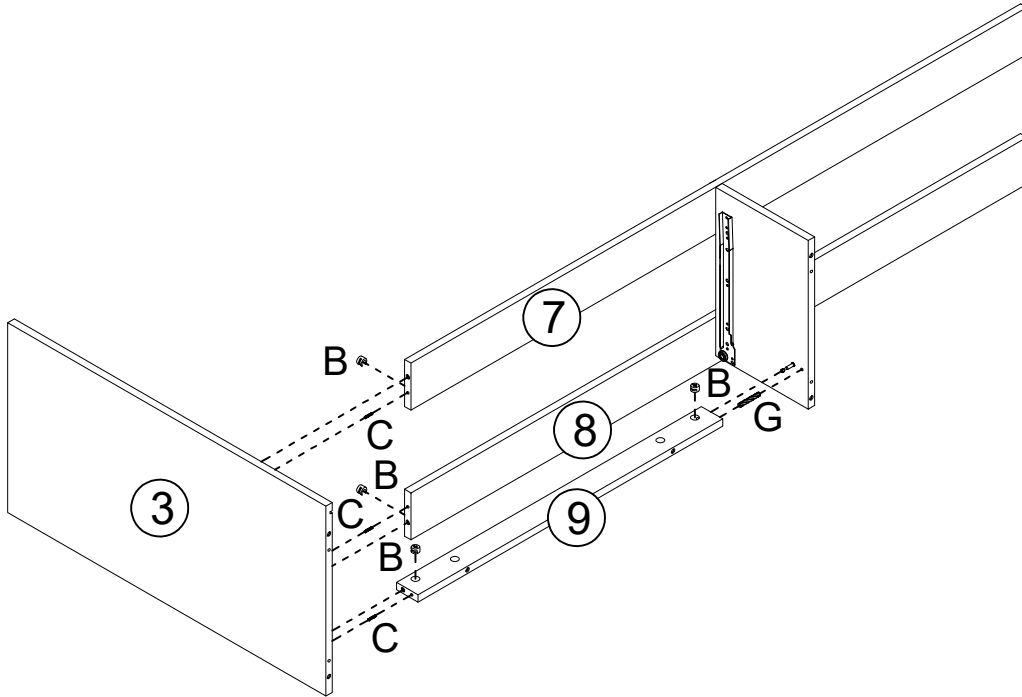


Step 4

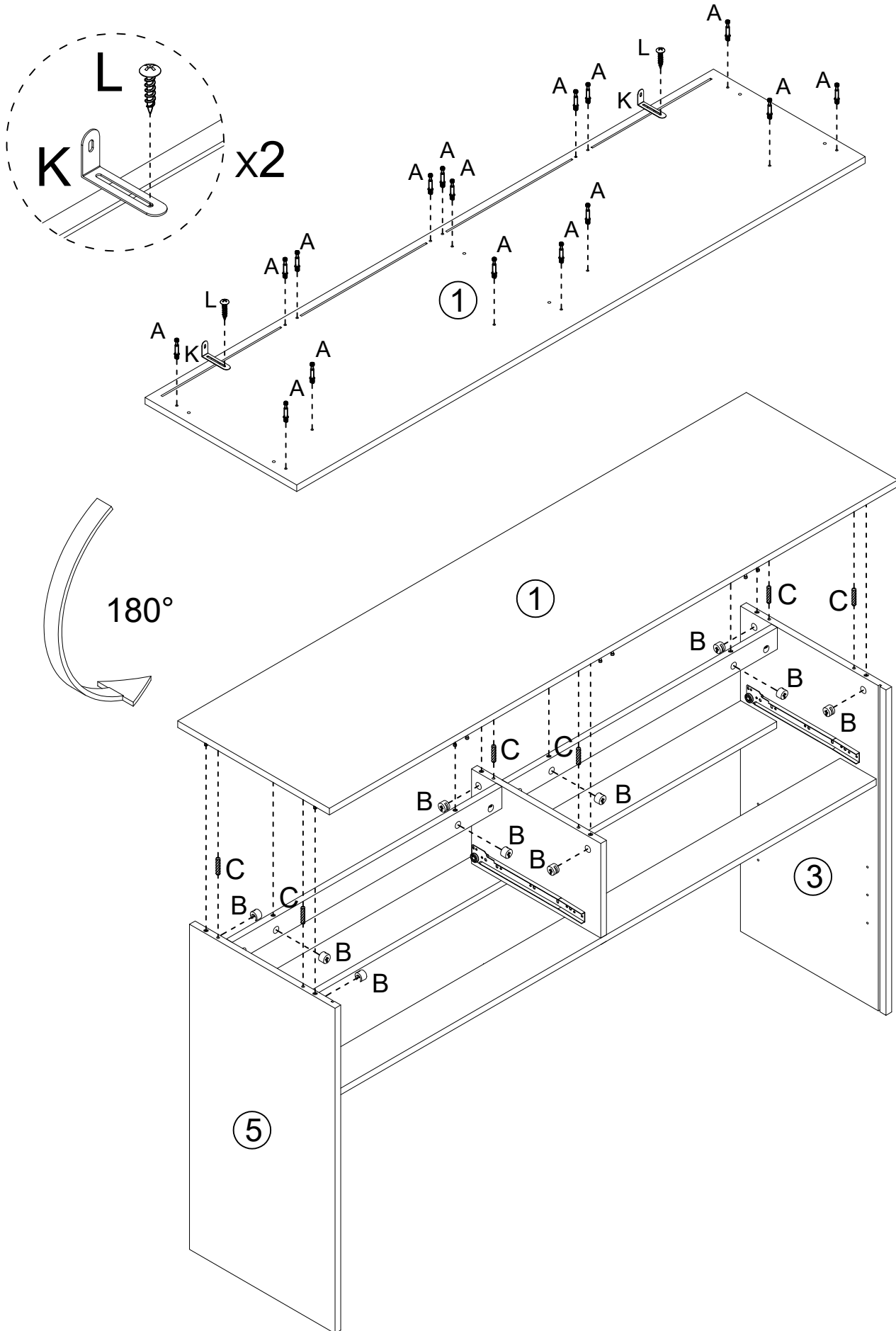
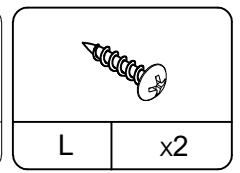
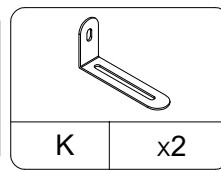
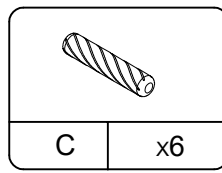
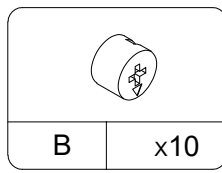
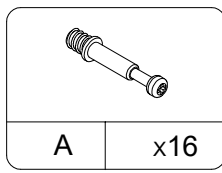


Step 5

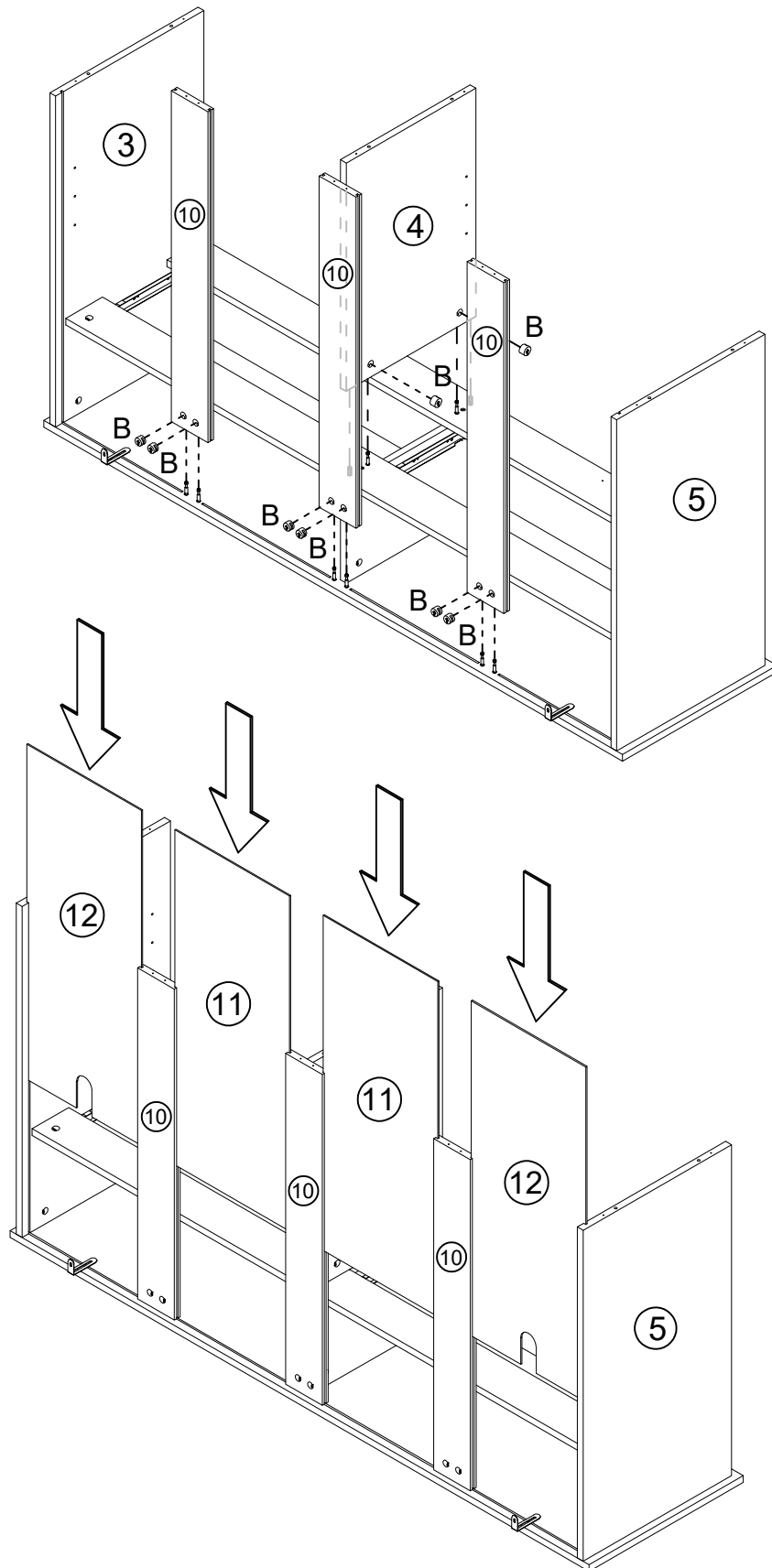
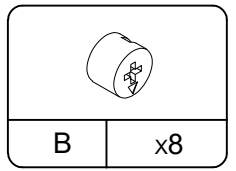
					
B	x8	C	x6	G	x1




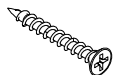
Step 6

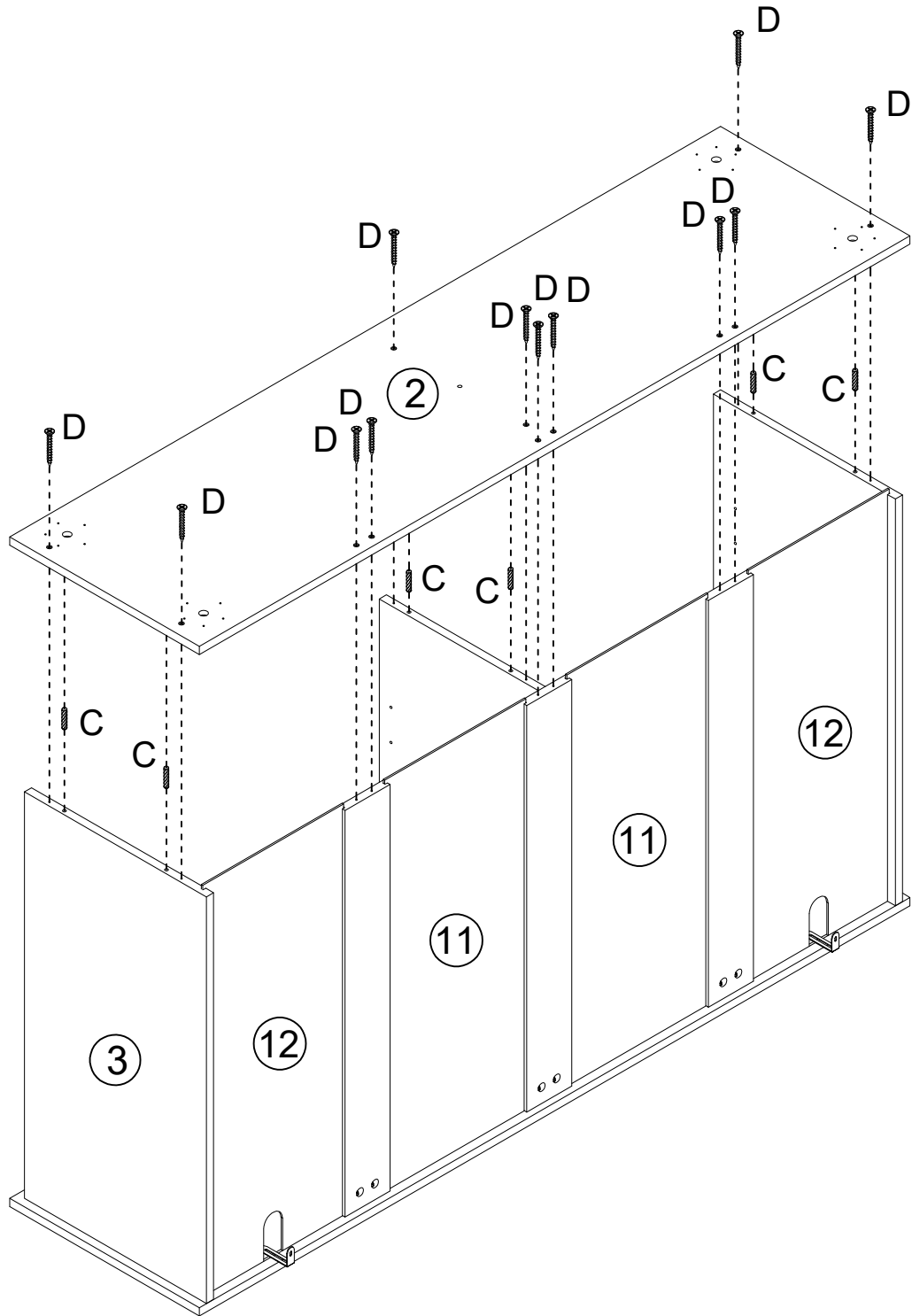


Step 7





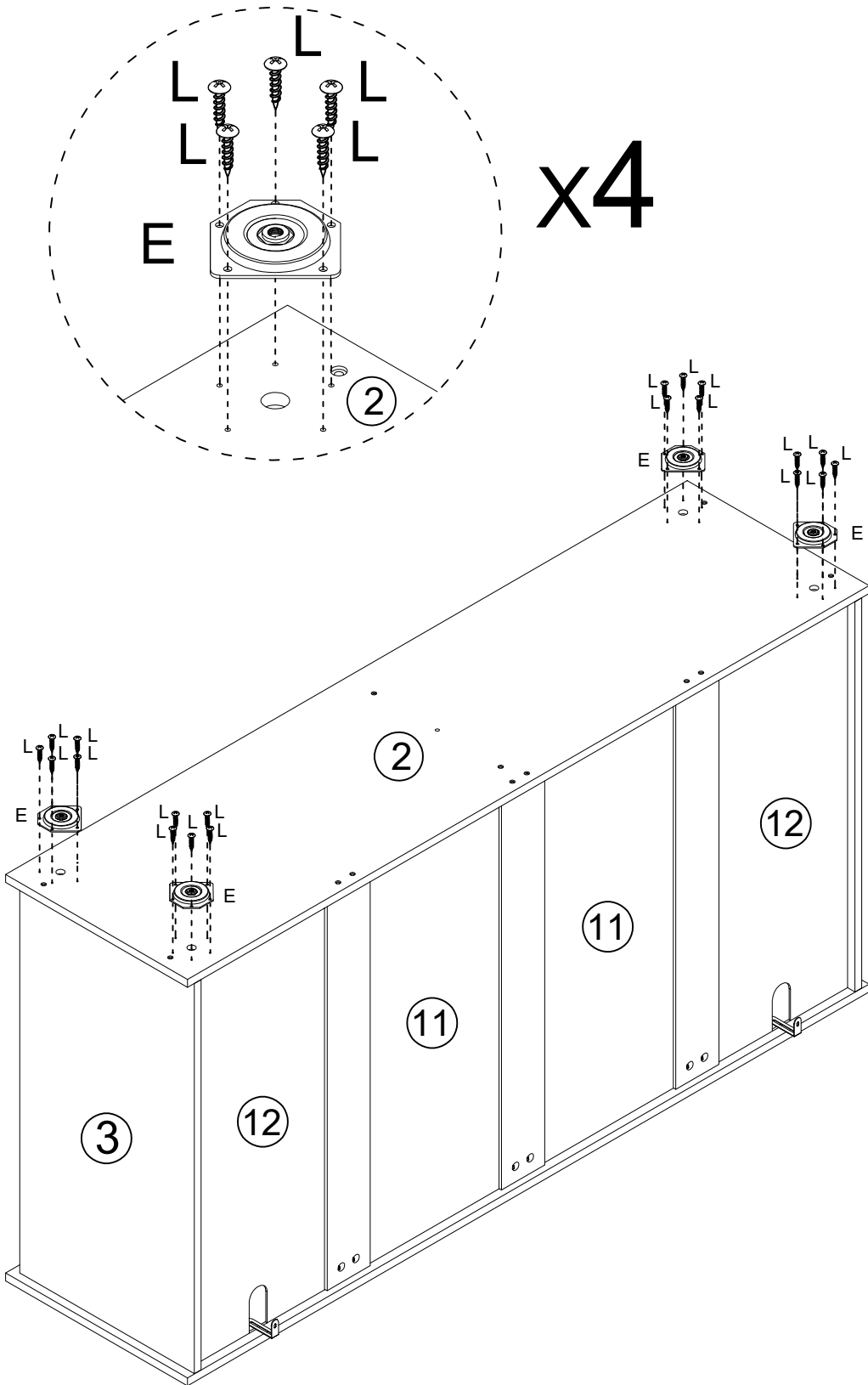
Step 8

			
C	x6	D	x12

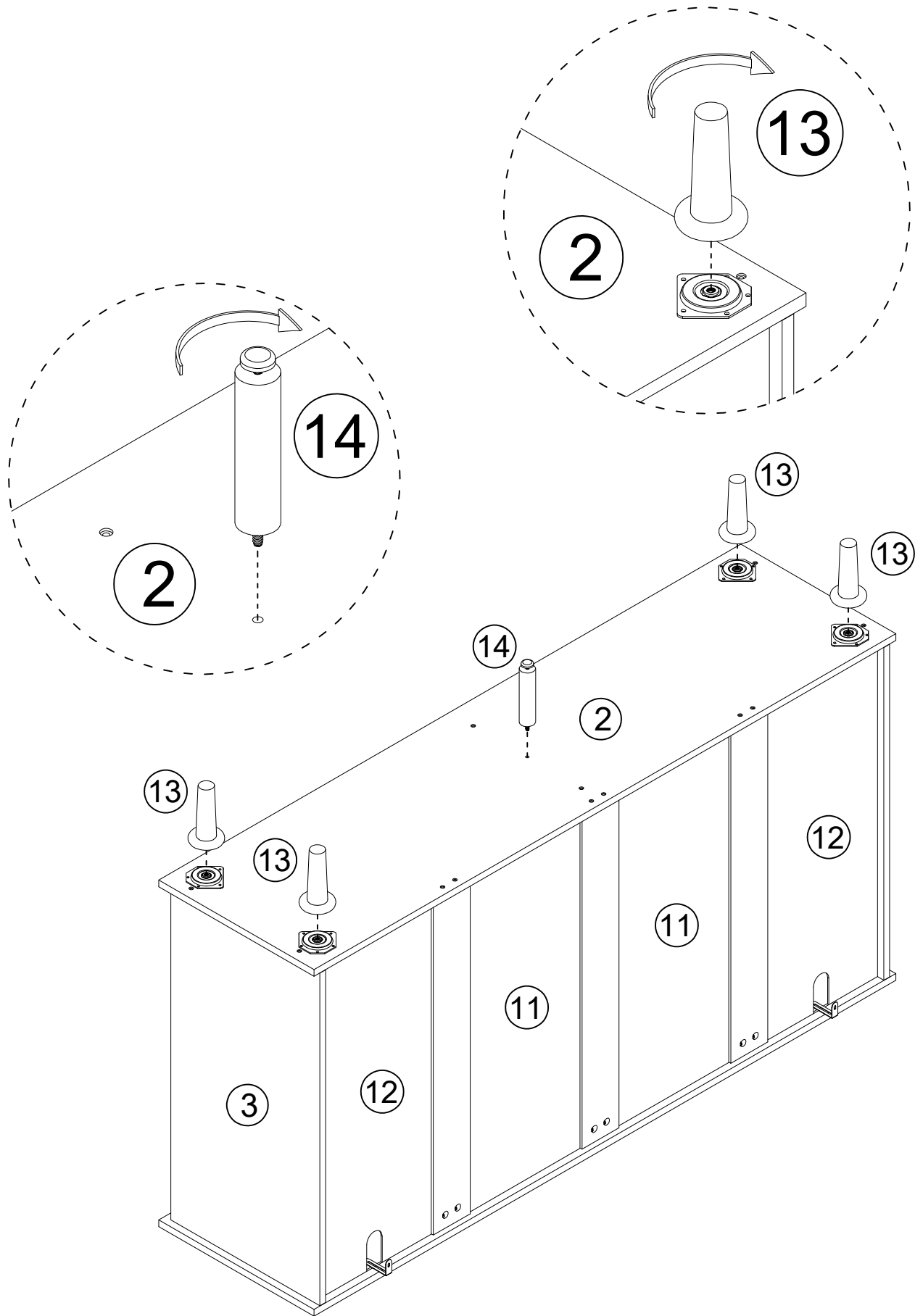


Step 9



	
E	x4
L	x20

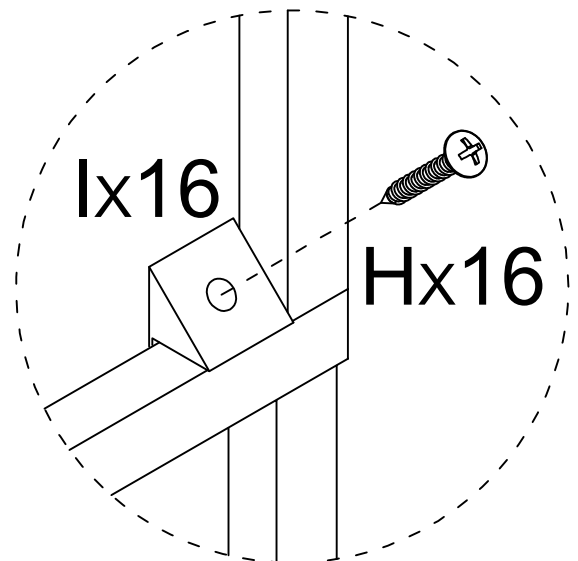
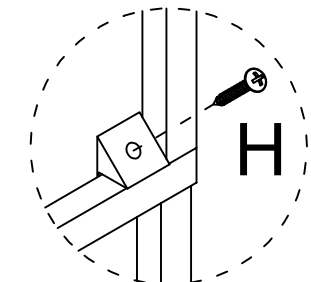
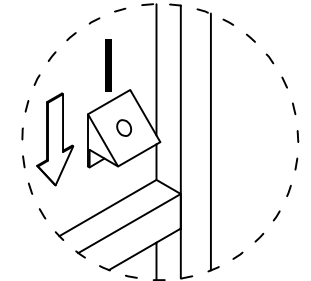
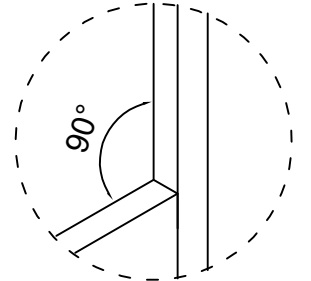
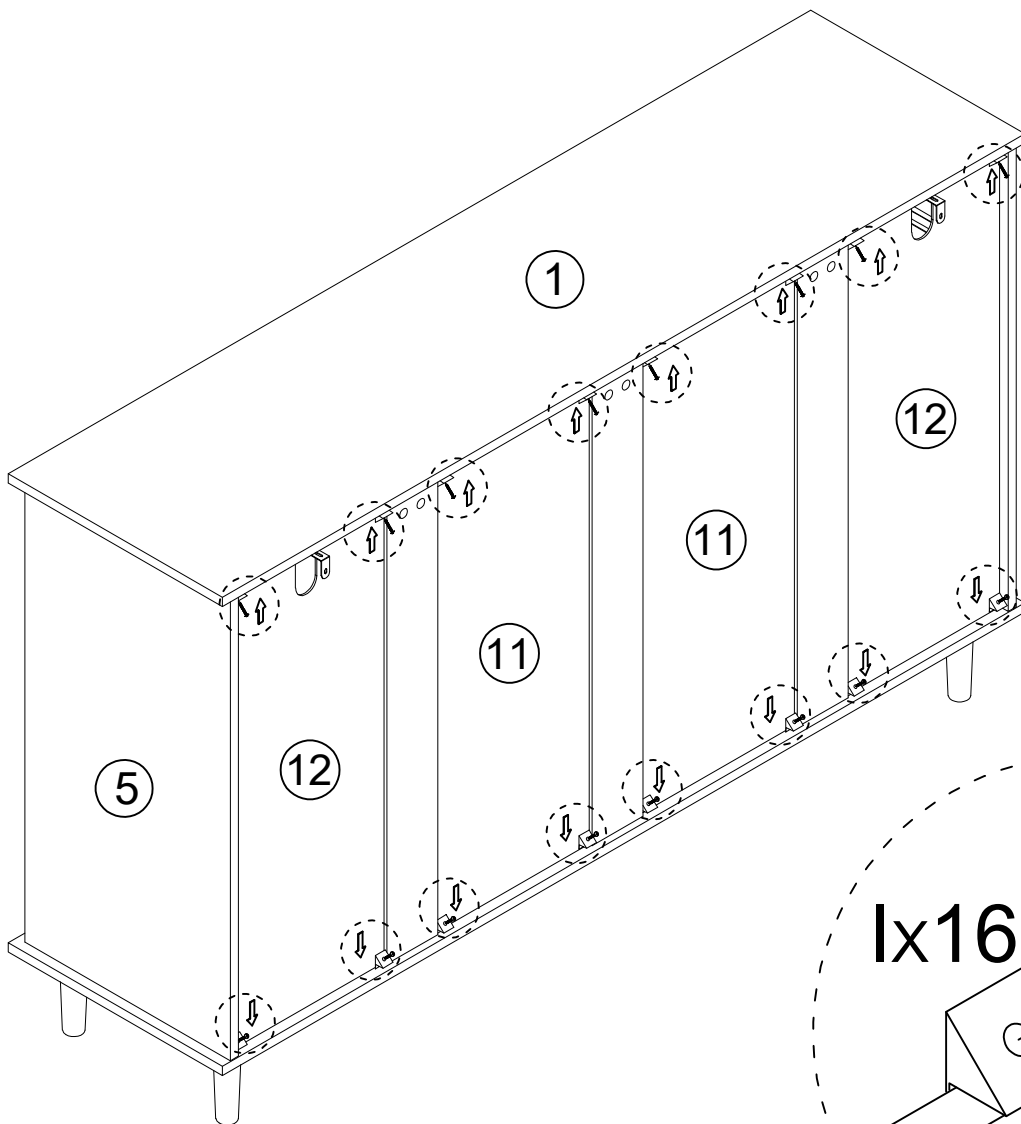


Step 10

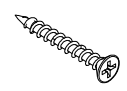



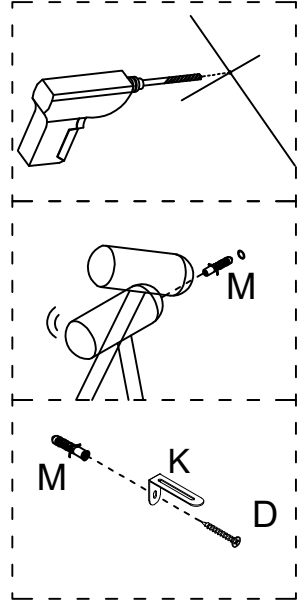
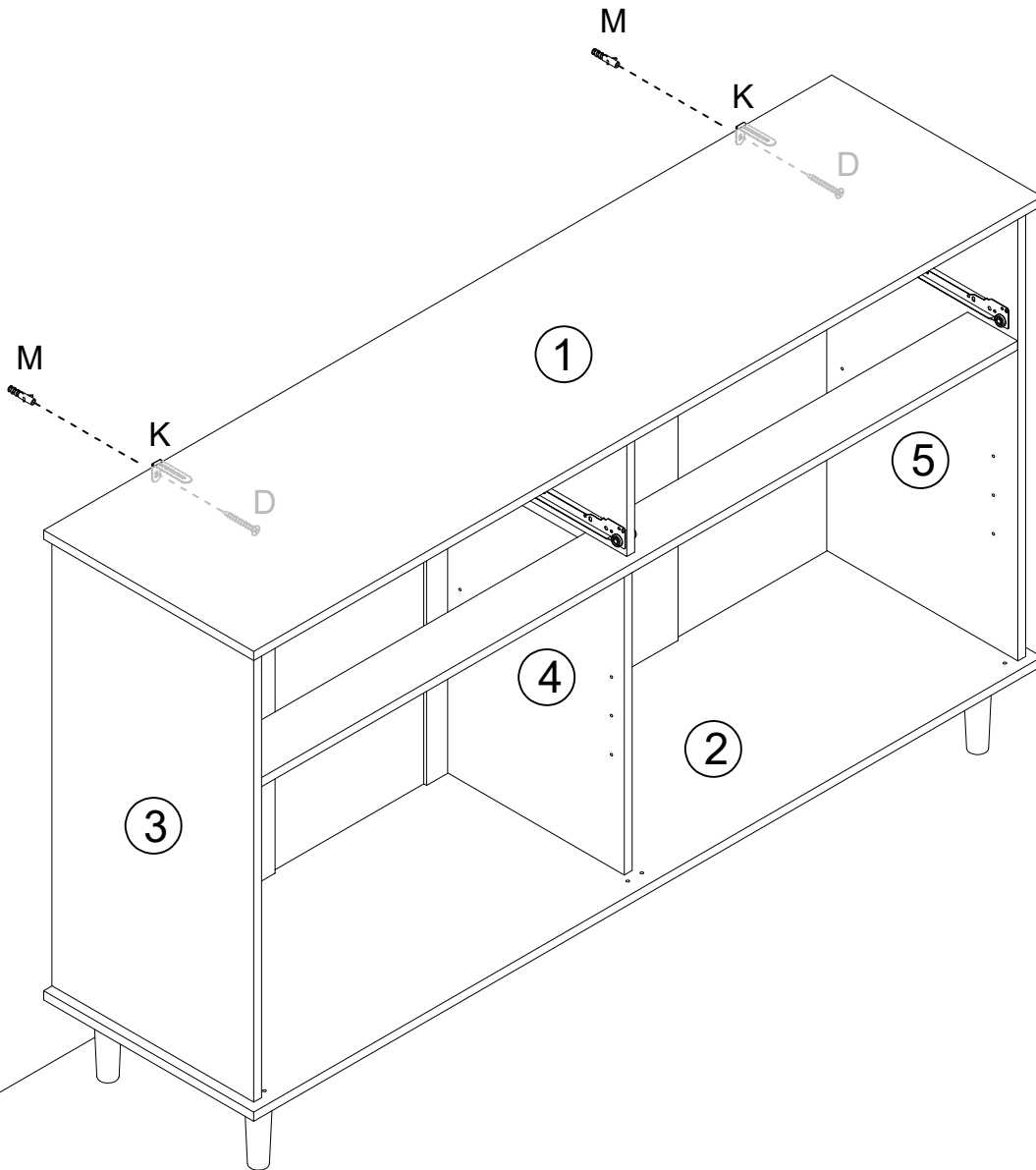
Step 11

	
H	I
x16	x16

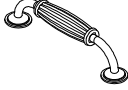






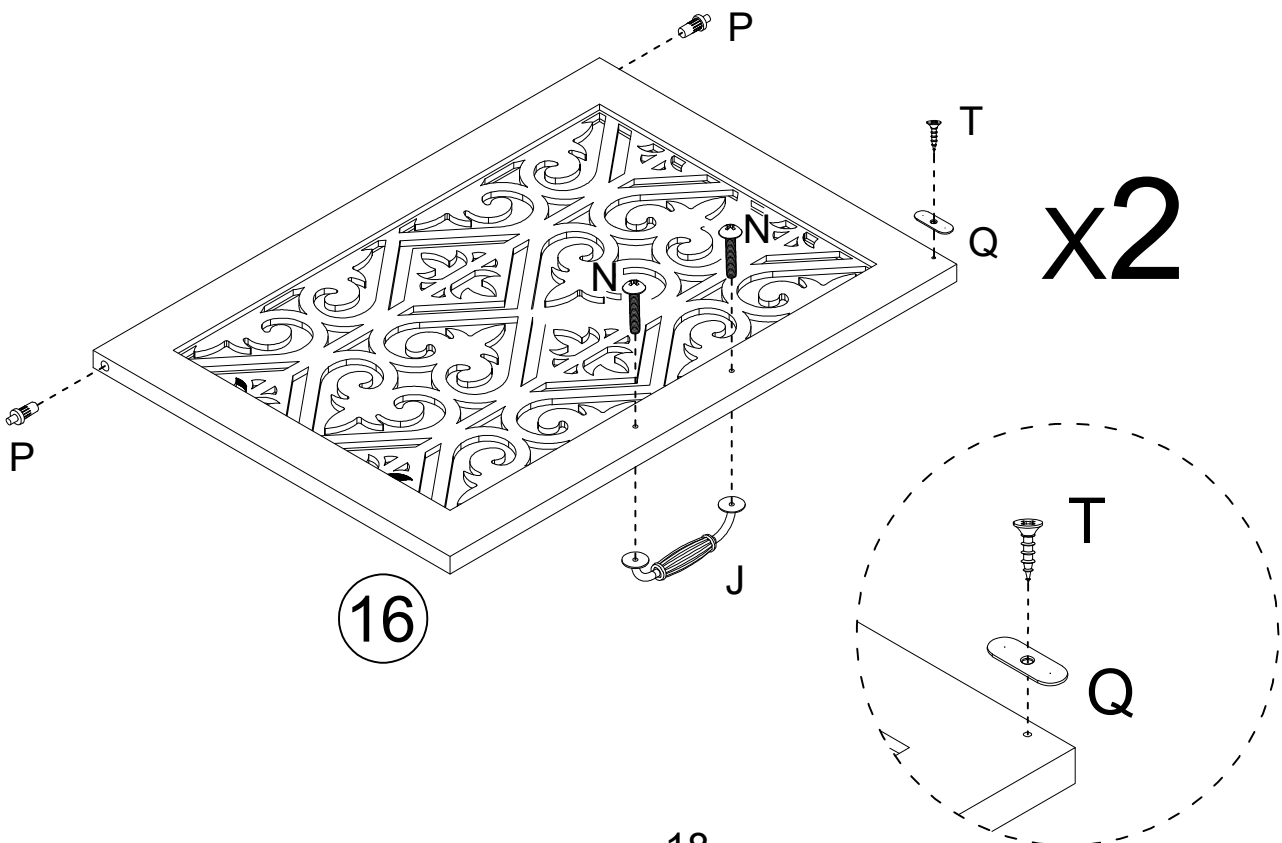
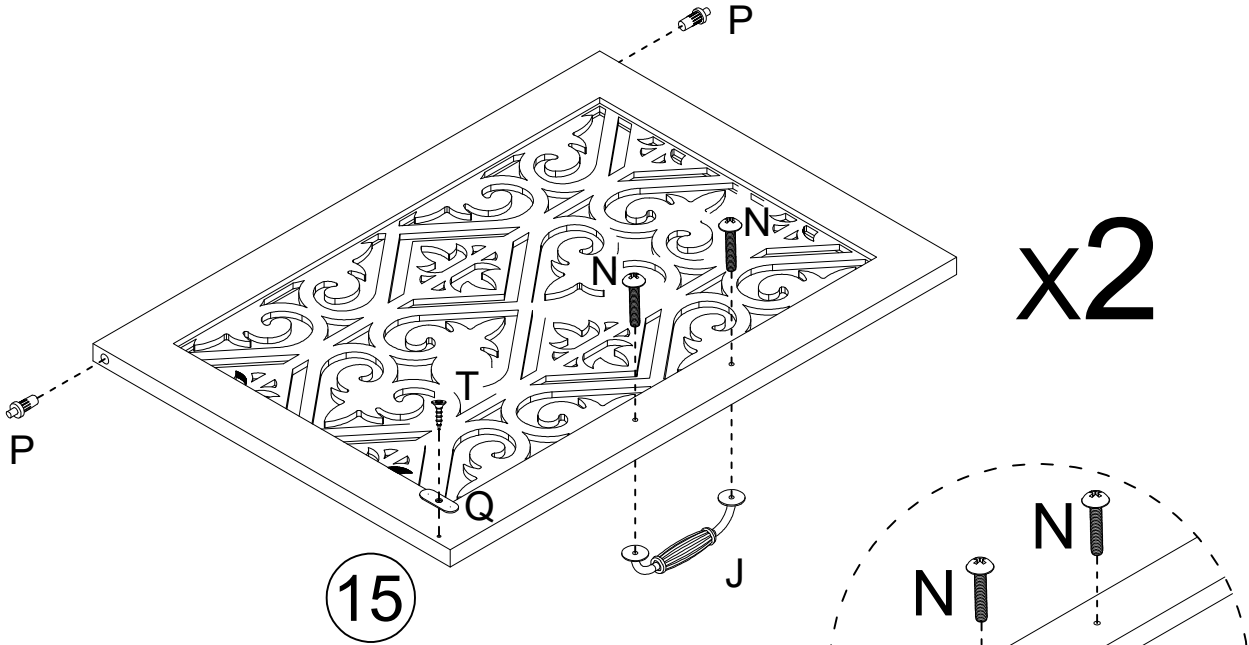
Step 12

	
D	x2
M	x2

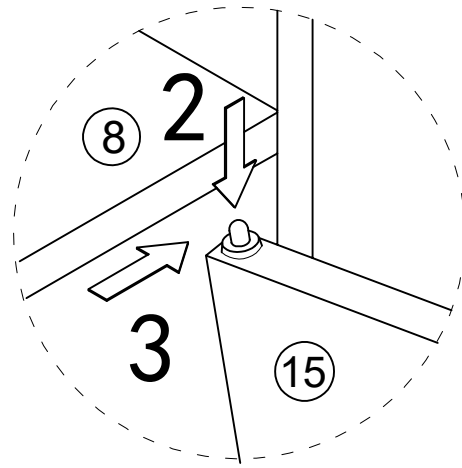
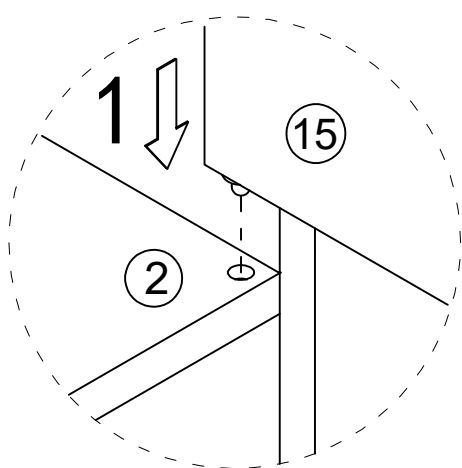
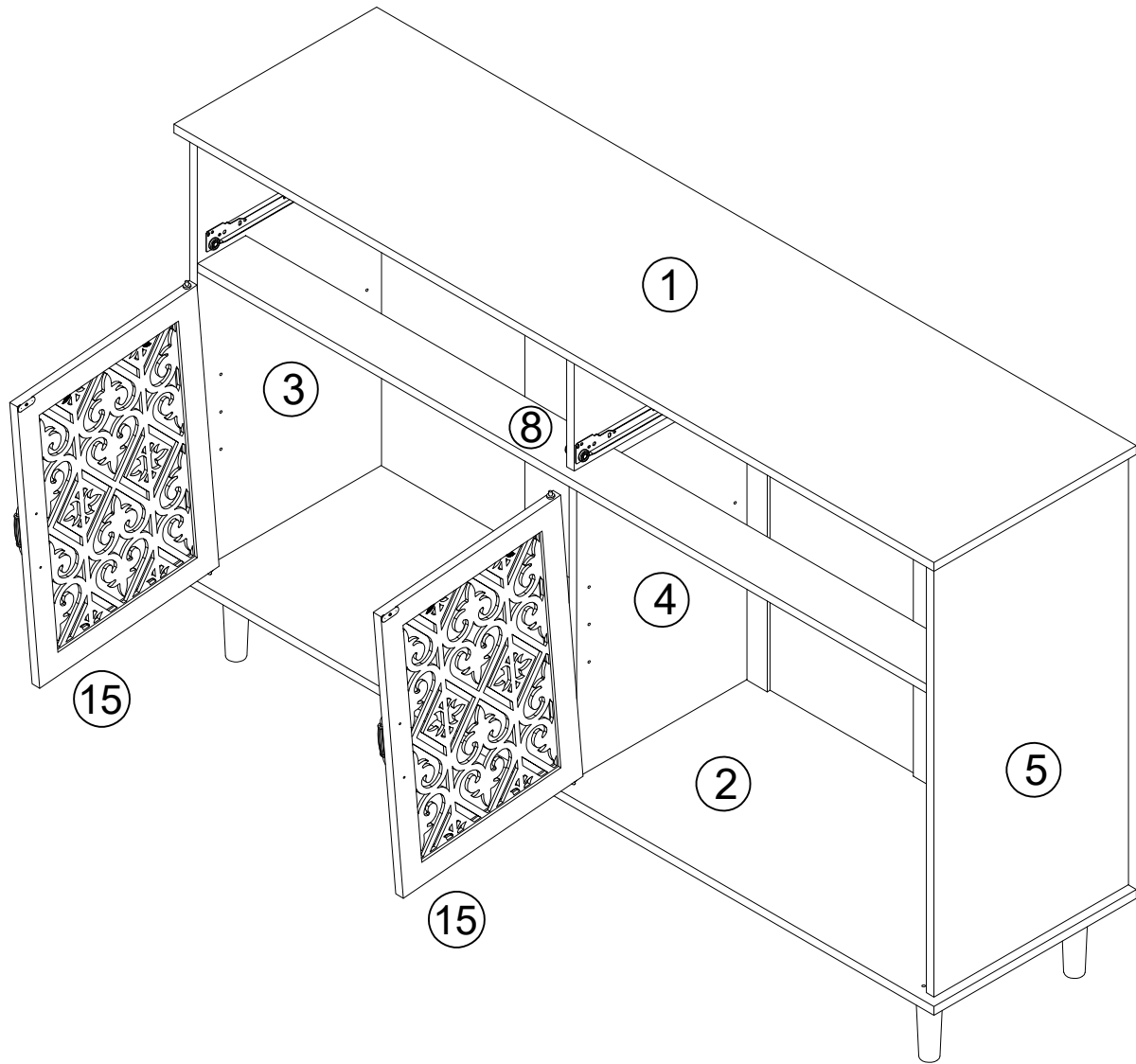


Step 13

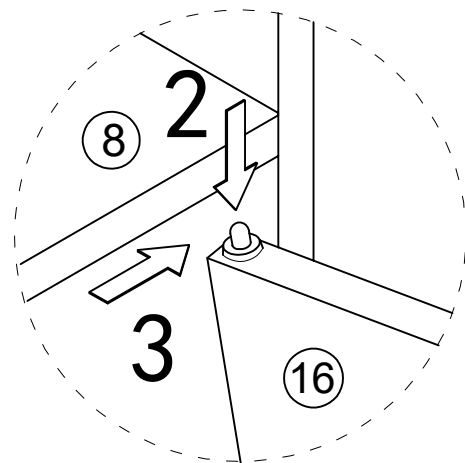
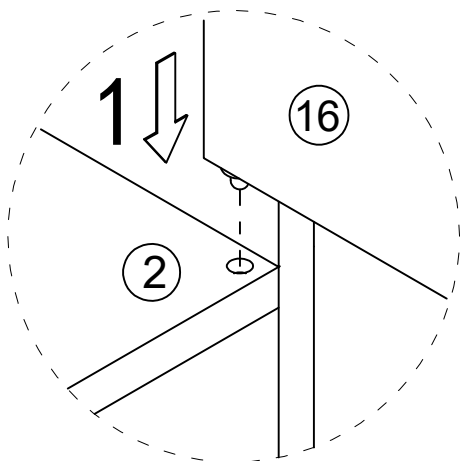
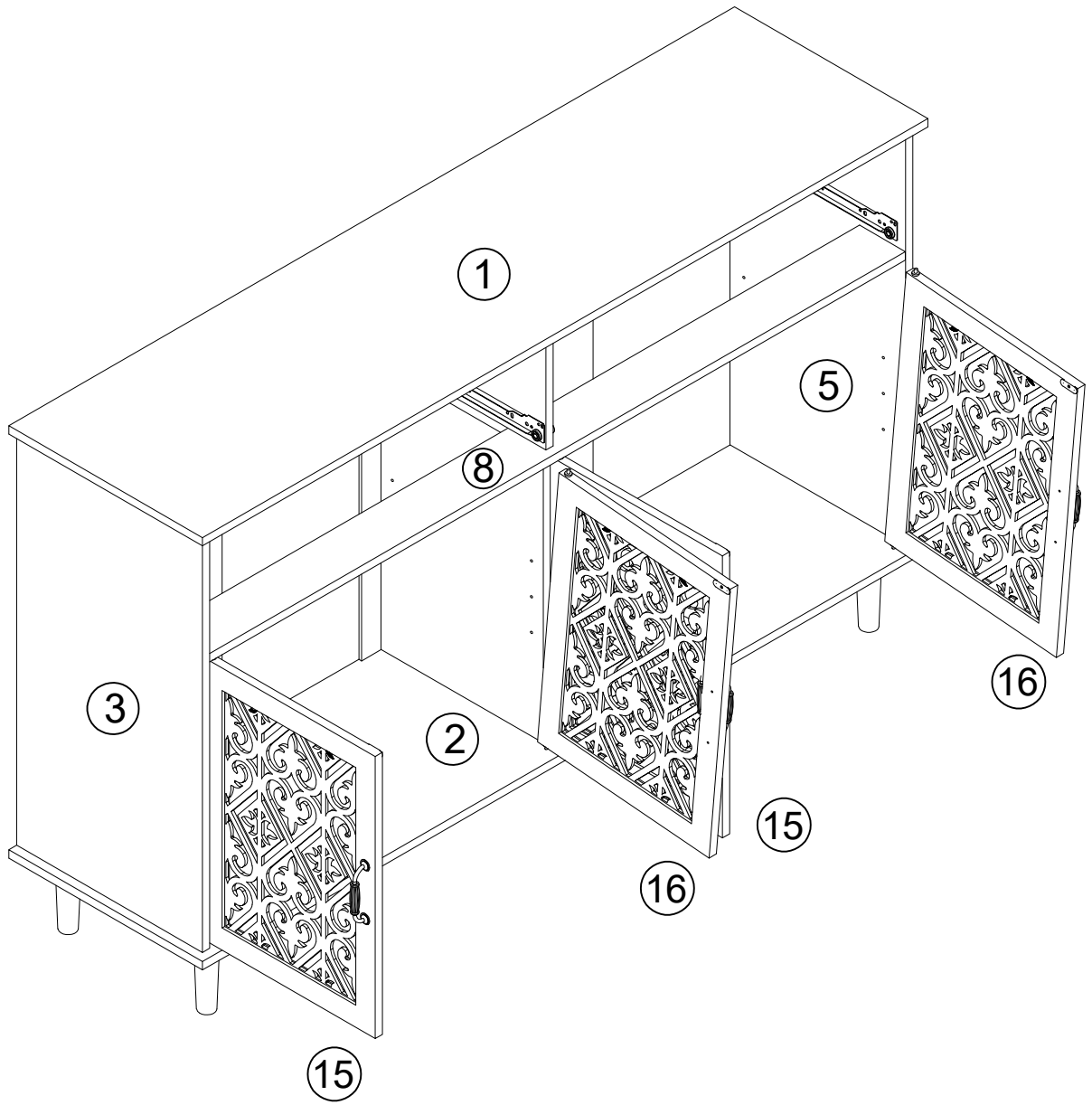
							
J	x4	N	x8	P	x8		
							
Q		x4		T		x4	



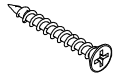
Step 14

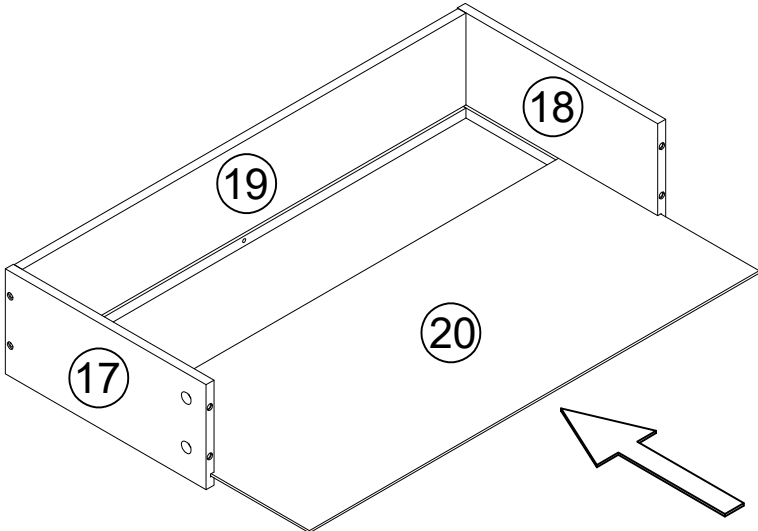
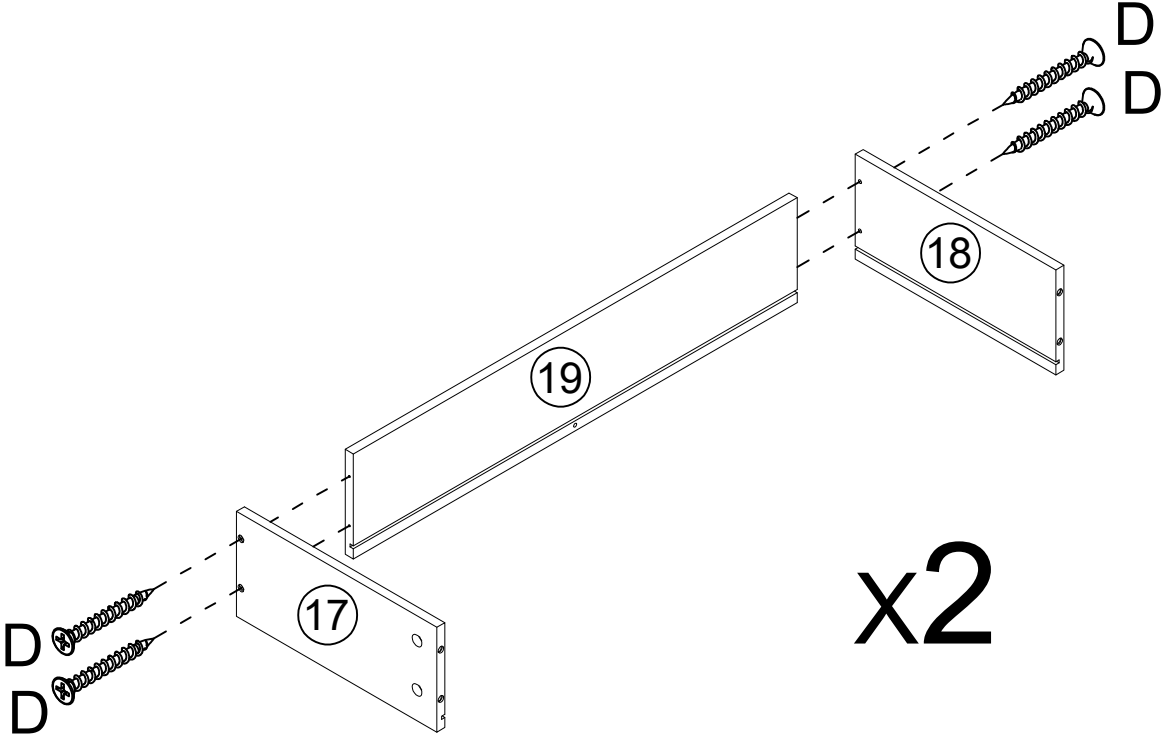


Step 15

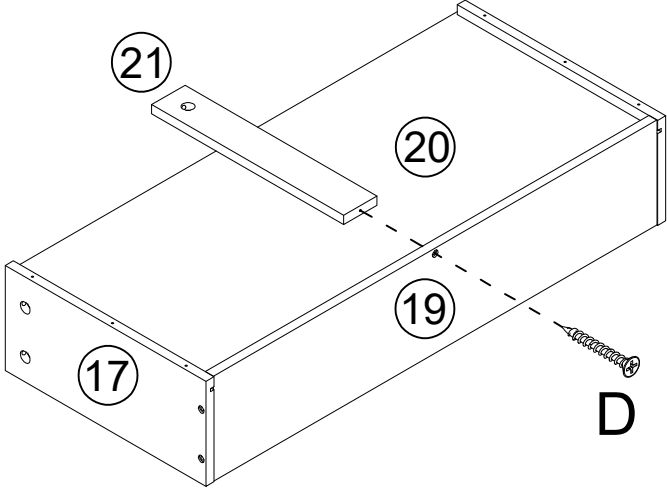


Step 16

	
D	x10

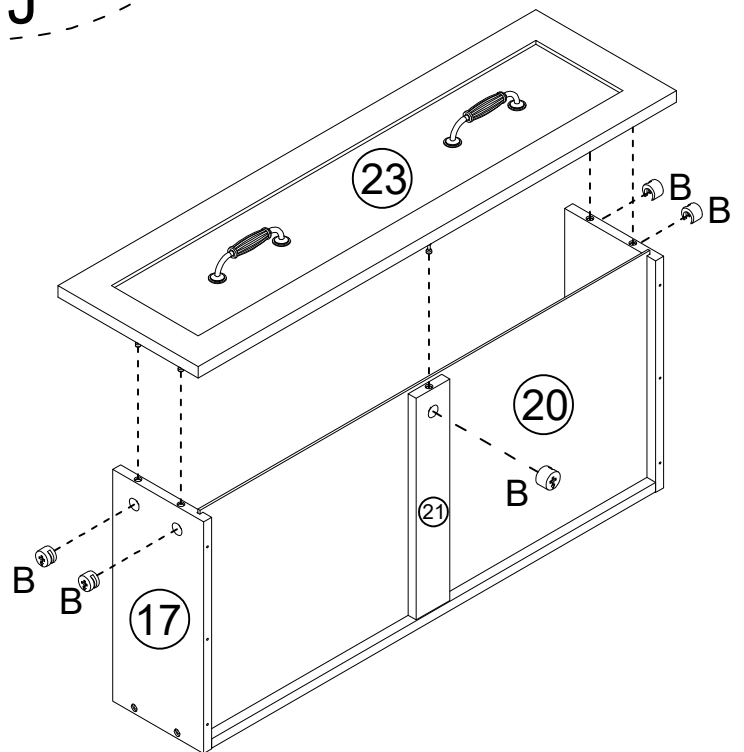
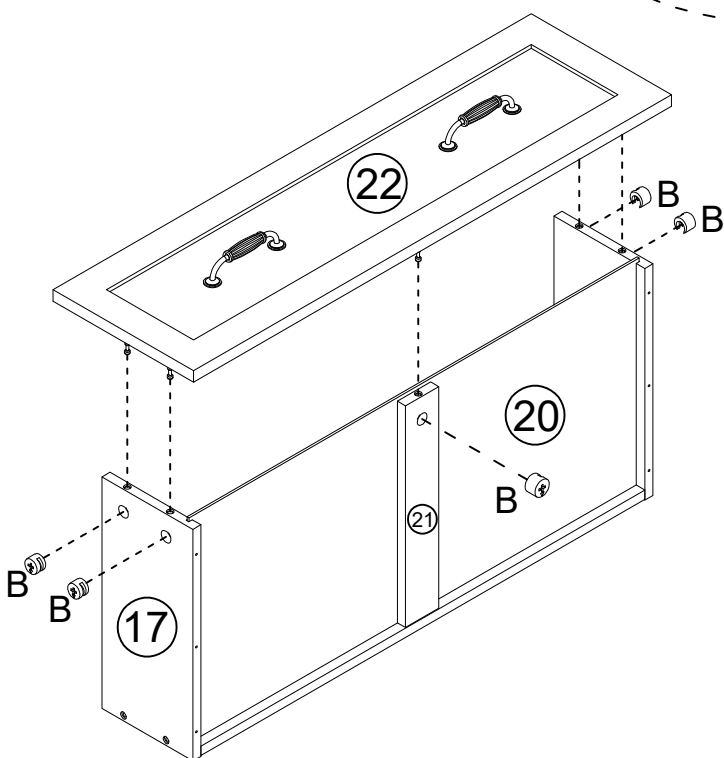
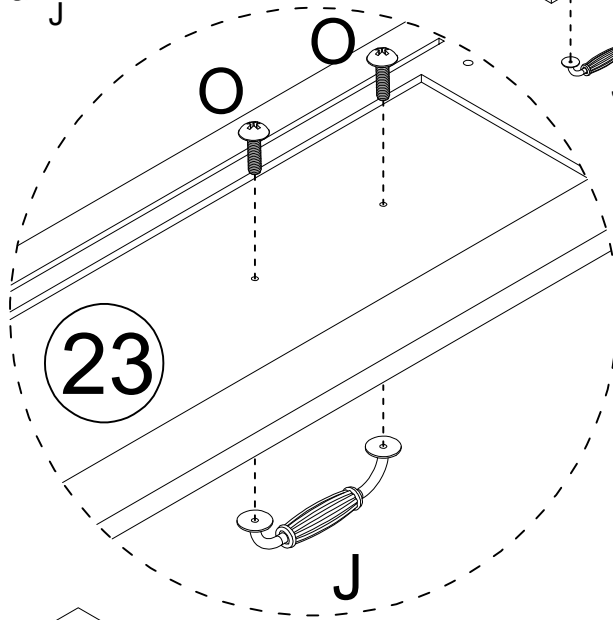
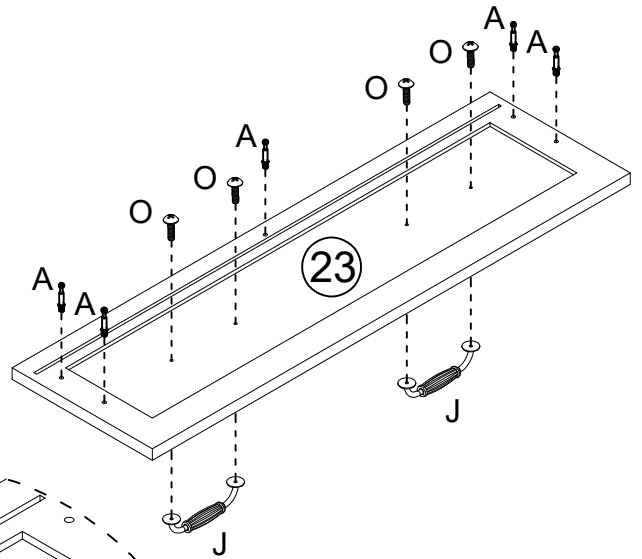
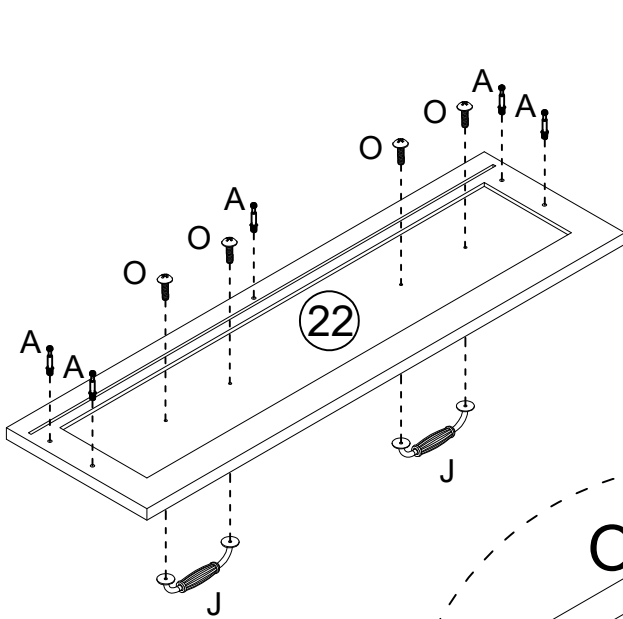
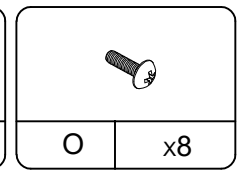
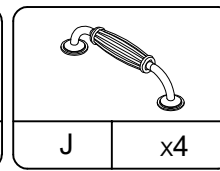
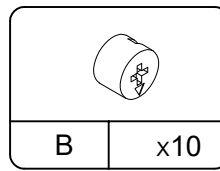
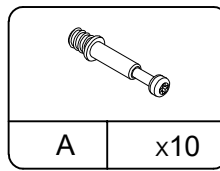


x2

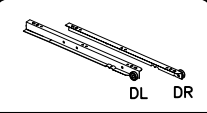



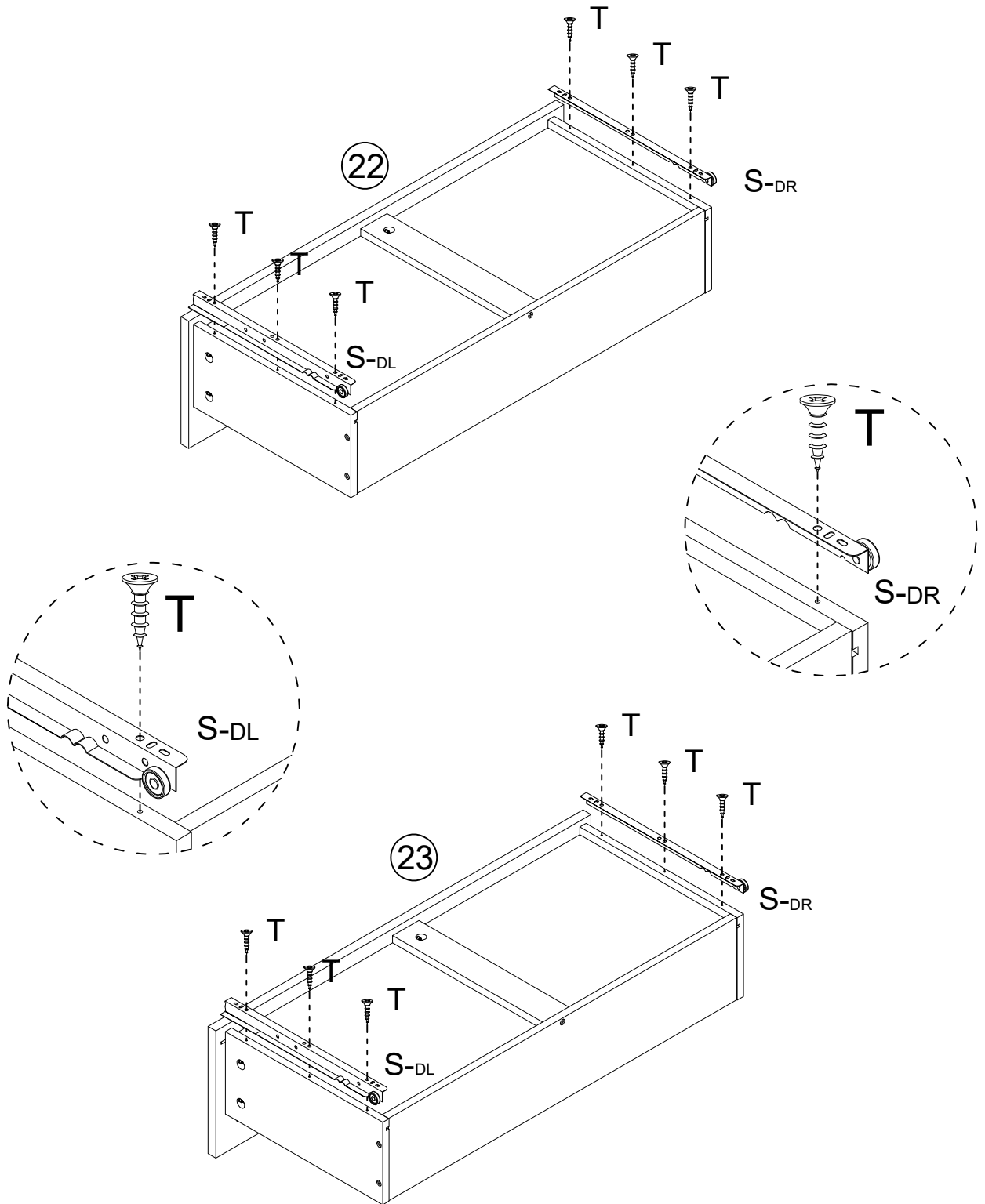
x2

Step 17

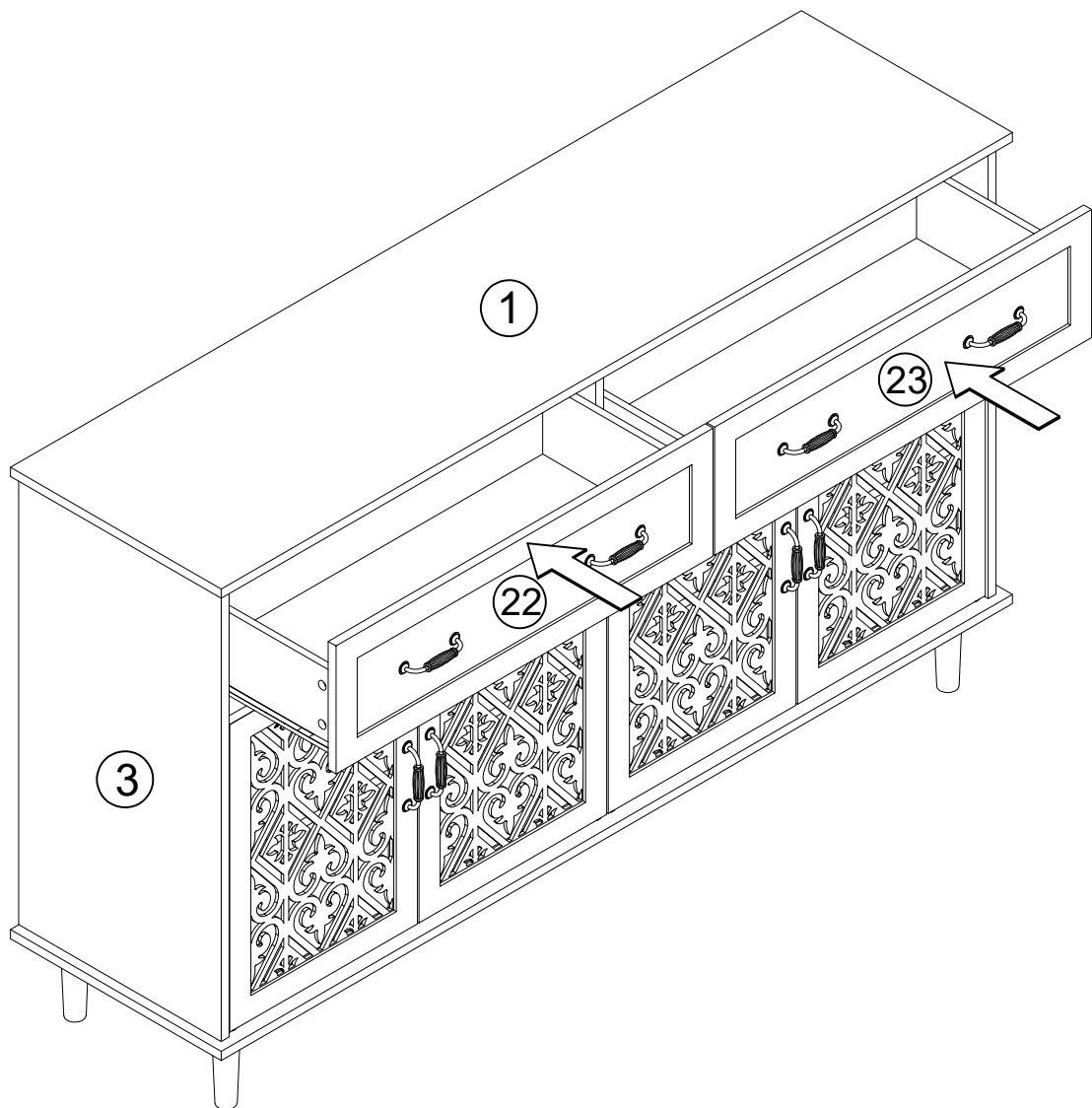
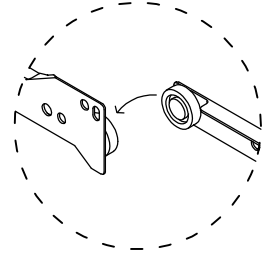


Step 18

			
S	x2	T	x12



Step 20

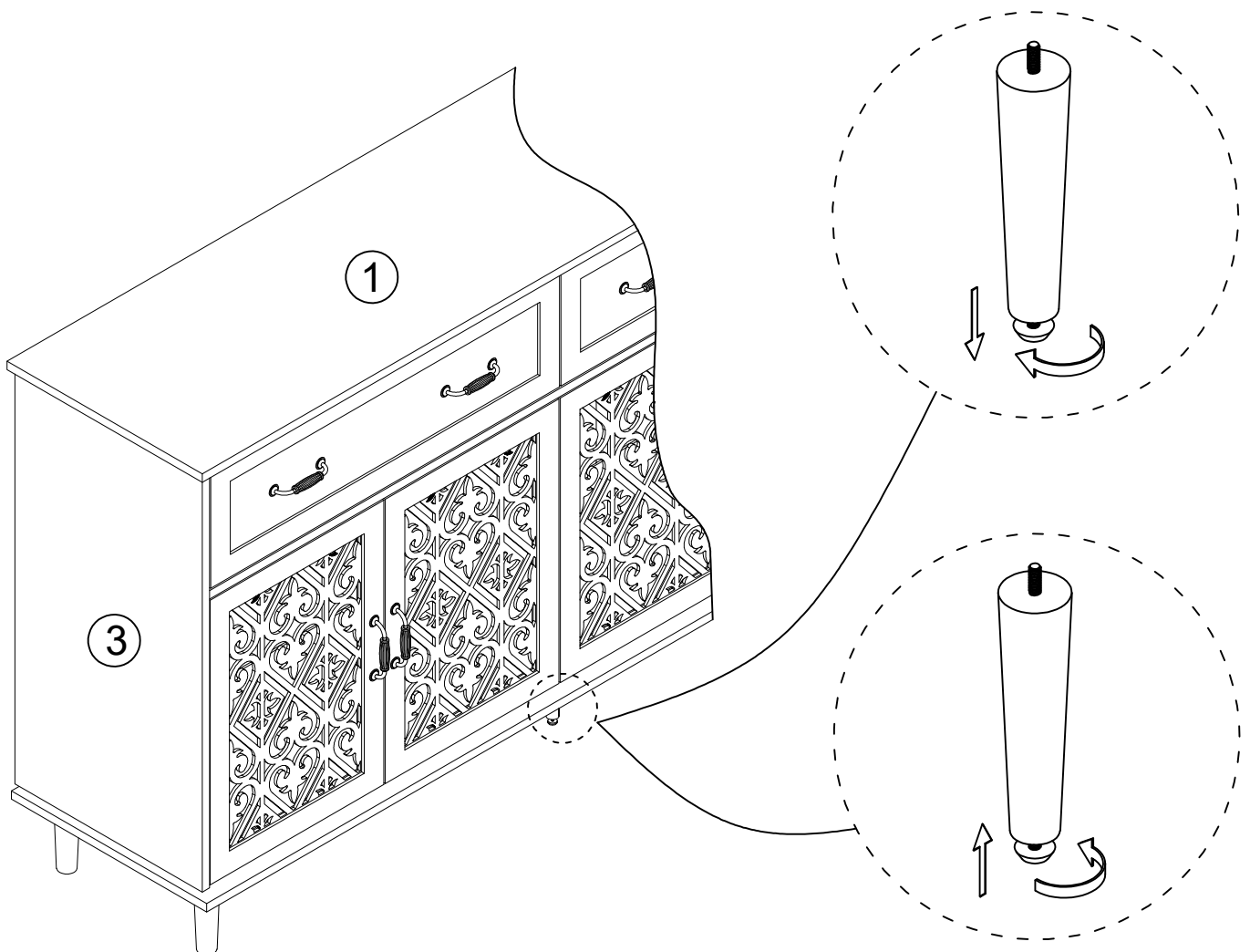


Step 21

Is your cabinet door looking crooked or unevenly spaced? (Cont.)

If you're still having trouble lining everything up, your next step should be to try to adjust the feet slightly to square up the cabinet & doors. Follow the illustrations below:

If the right door appears to be hanging low, you can adjust the adjustable leveler on the front right until the door is better aligned.



Proper Use

- DO NOT** use for commercial purposes
- DO NOT** use as a step stool or stand on table
- DO NOT** put hot serving liquid directly on the table top
- DO NOT** leave spilled liquid on the table top
- DO NOT** use table if damaged
- DO NOT** exceed weight limit
- DO NOT** make temporary repairs
- DO NOT** use outdoor

Dear Customer :

Thank you for purchasing our product,we wish you satisfy our service,if you have any further questions or any quality issues, please show the belows number and don't hesitate to contact our Customer Service People:

W688202507