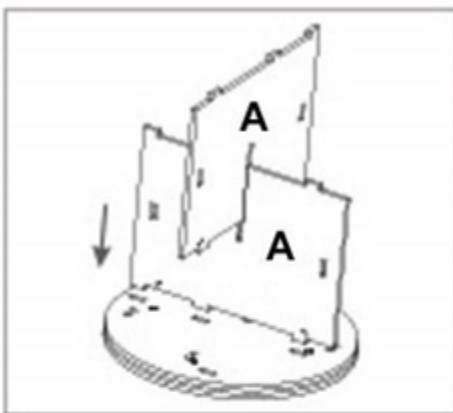
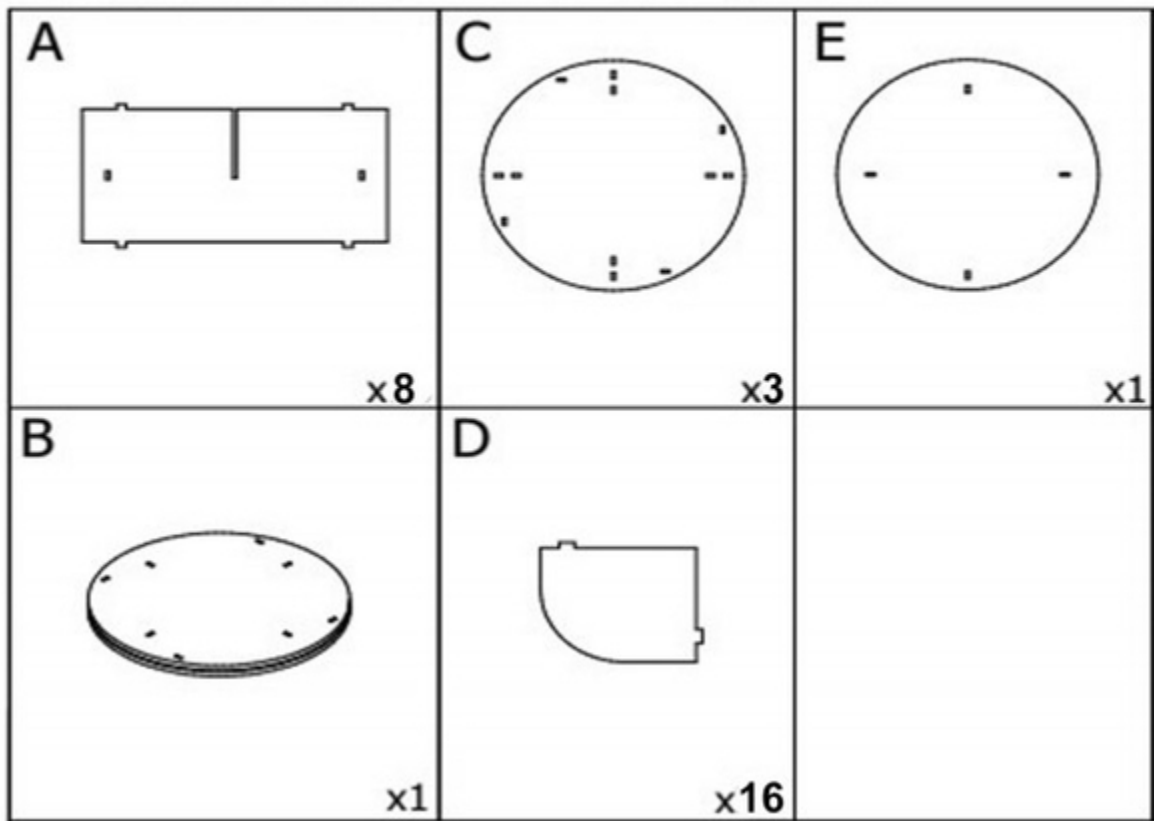
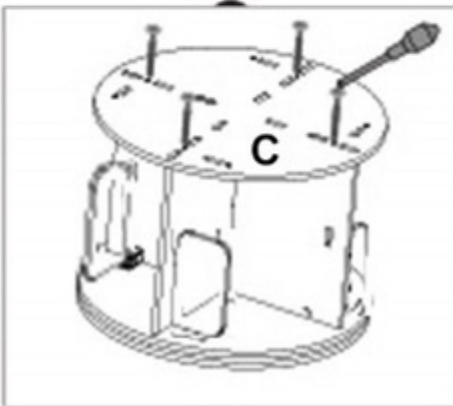


Instruction Manual



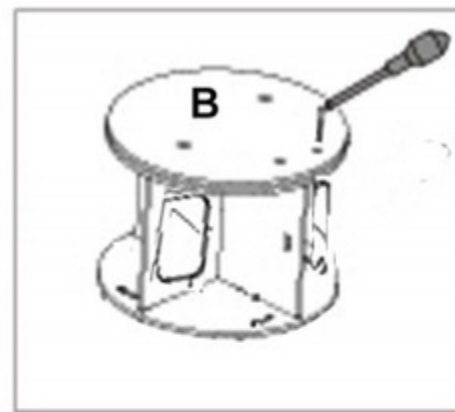
step 1:

Place the double layer base horizontally and insert A into the corresponding slot respectively.



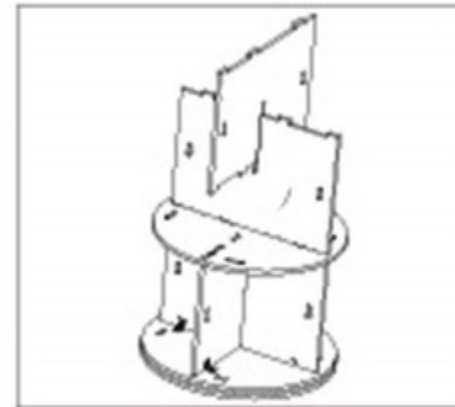
step 2:

Insert C into the corresponding slot and fix it with screws.



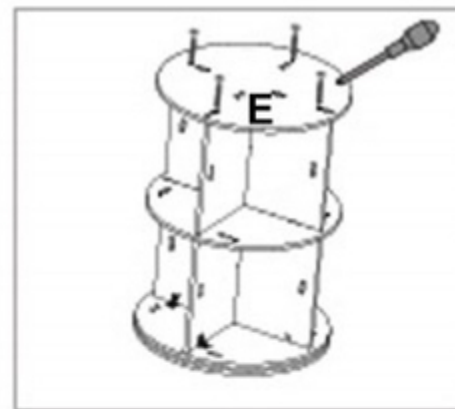
step 3:

Turn the bookshelf upside down, the upper and lower two round holes correspond, fixed with screws.



step 4:

Insert A into the corresponding slot and install the remaining layers in sequence according to step 2.



step 5:

Put the E cover on and secure it with screws.



step 6:

Fixing D with screws

