

Installation Instructions

ASSEMBLY INSTRUCTIONS:

- * Before assembling, make sure that you lay out and identify all parts listed in the parts list.
- * All bolts should be hand tightened before use. Never use power tools or excessive force during assembly and tightening of bolts.
- * Please place the umbrella on a flat protected surface during assembly.

NOTES FOR USE:

- * The first time to open the umbrella before you need to first reason under the umbrella cloth and umbrella bone

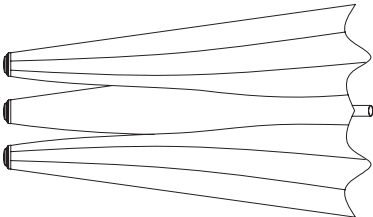
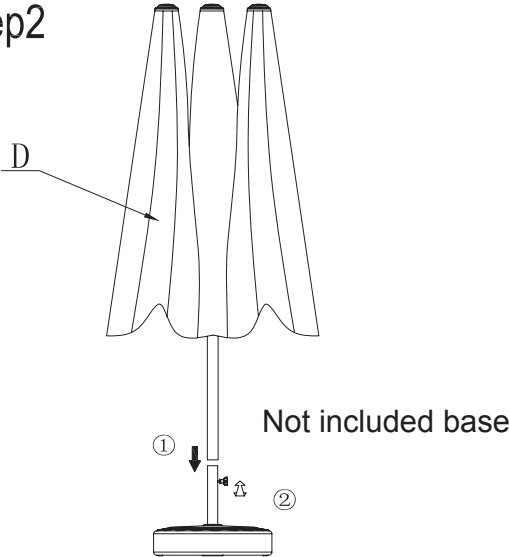

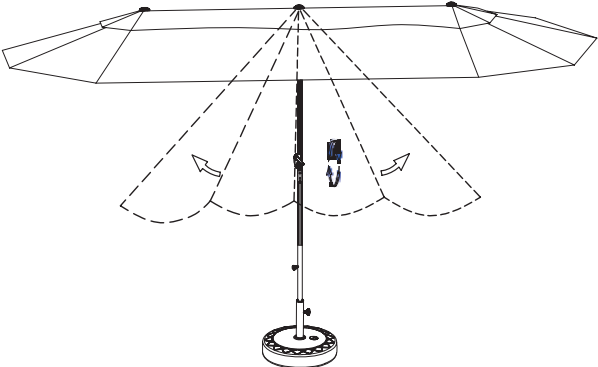

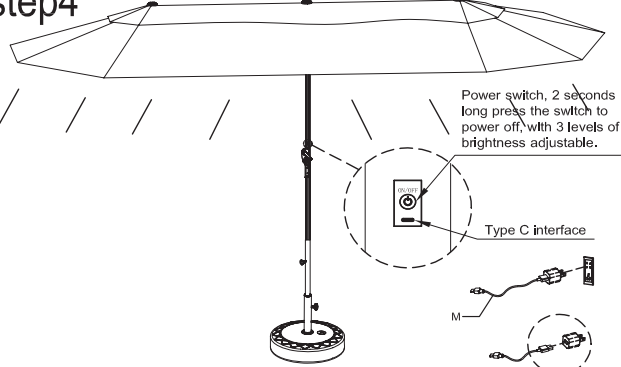

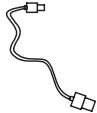
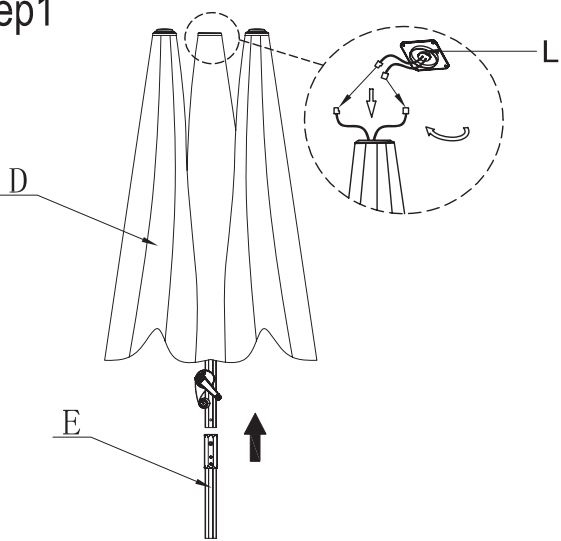
CARE INSTRUCTIONS:

- * Powder-coated ALU is durable and will last for many years of seasonal use. recommend touching up or repairing any scratches
- * When using an umbrella with a table, always make sure the protective ring is in the umbrella hole and the umbrella is secured using a sturdy umbrella base.
- * Never use any umbrella at a table during windy conditions.



MONDAWE

Parts & Tools

PART	QTY	PICTURE	
D	1		<p>step2</p> 
E	1		<p>step3</p> 
L	1		<p>step4</p>  <p>M</p> 
M	1		<p>step1</p> 



Call us First !
DO NOT RETURN TO STORE

For immediate help with assembly or product information

call our number:

888-328-5111

Or E-mail:

service@mondawe.com

Our staff is ready to provide assistance

M-F 9:00 AM to 5:00 PM EST