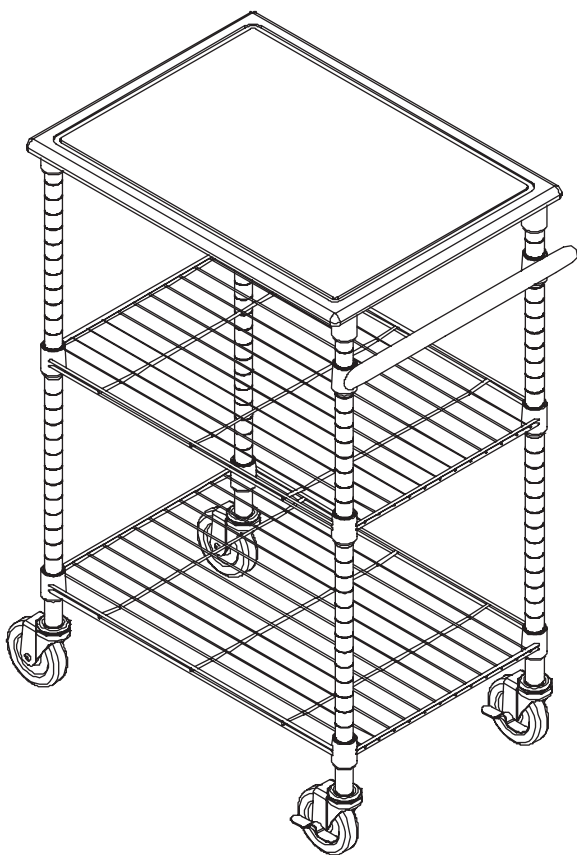
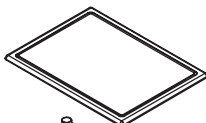
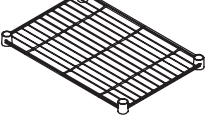
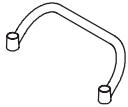
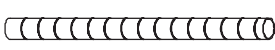
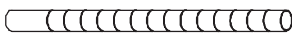








chrome chopping cart
carrito de picar de cromo
chariot de coupe chromée



28.5 in L x 17.75 in W x 37.5 in H / 72.4 cm L x 45.1 cm W x 95.3 cm H

PARTS LIST

PART/ILLUSTRATION	(QTY)	DESCRIPTION
A 	(1)	wood top tapa de madera plateau en bois
B 	(2)	shelves estantería étagères
C 	(1)	handle manija poignée
D 	(4)	top support poles mejores polos de apoyo haut pôles d'appu
E 	(4)	bottom support poles polos de apoyo inferior poteaux d'appui en bas
F 	(4)	stack bushing apilar buje empiler douille
G 	(14)	shelf clips clips para baldas étagère clips
H 	(2)	locking wheels bloqueo de las ruedas blocage des roues
I 	(2)	wheels ruedas roues
J 	(4)	shelf supports soportes del estante supports d'étagères
K 	(8)	screws empulgueras vis à oreilles

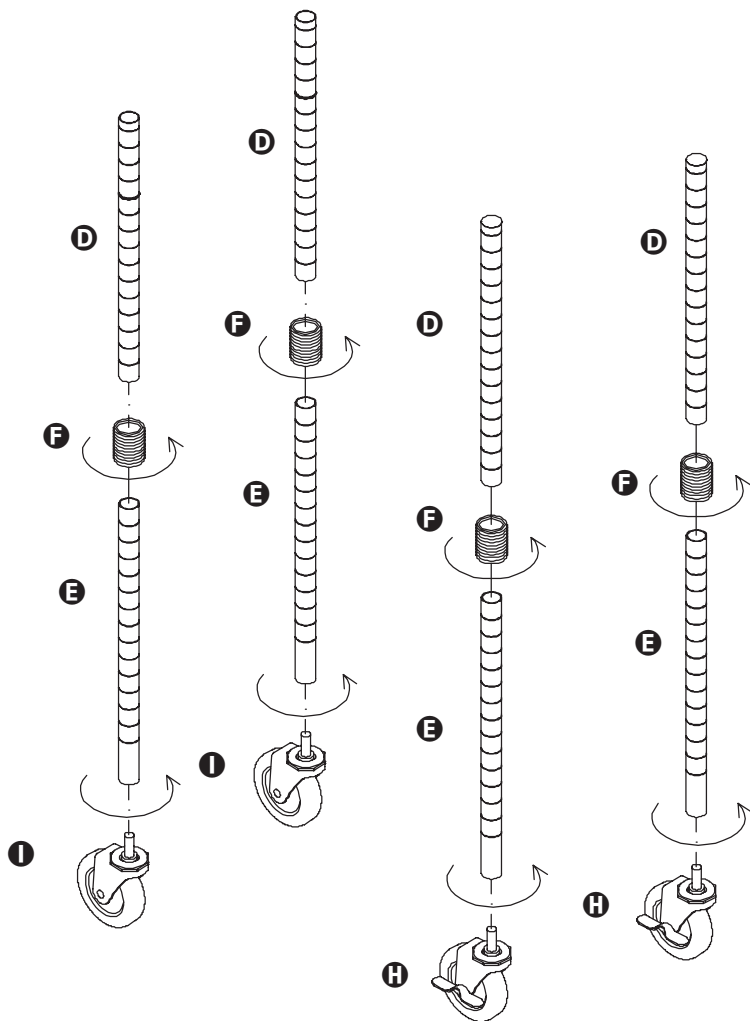
TOOLS NOT INCLUDED



screwdriver
destornillador
tournevis

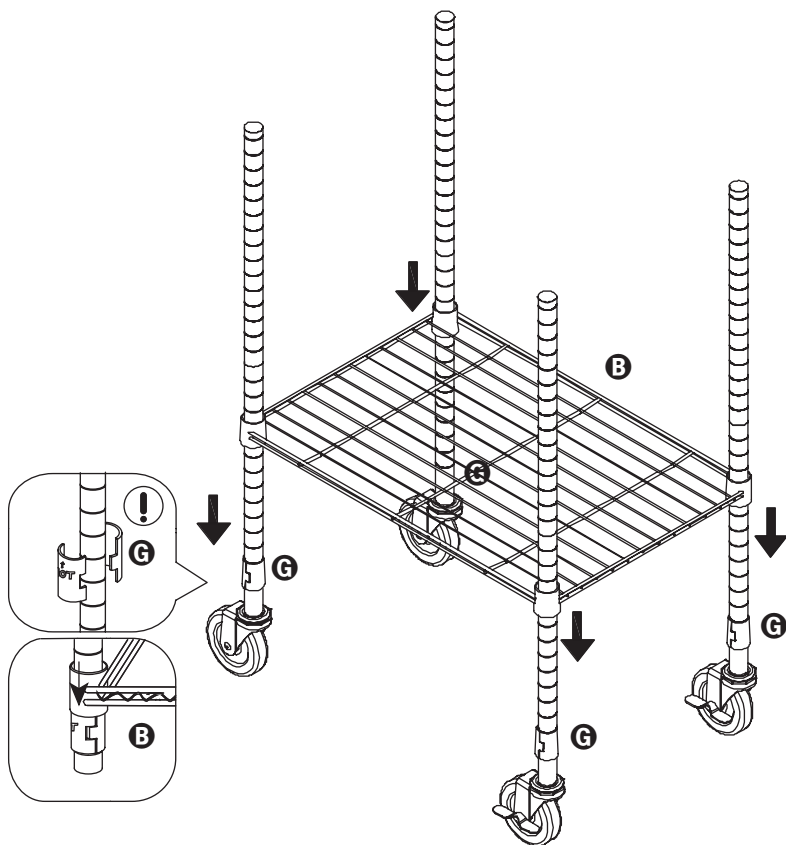
ASSEMBLY

- 1** this item requires a phillips head screw driver that is not included
este artículo requiere un destornillador Phillips que no está incluido
cet article nécessite un tournevis à tête Phillips qui n'est pas inclus



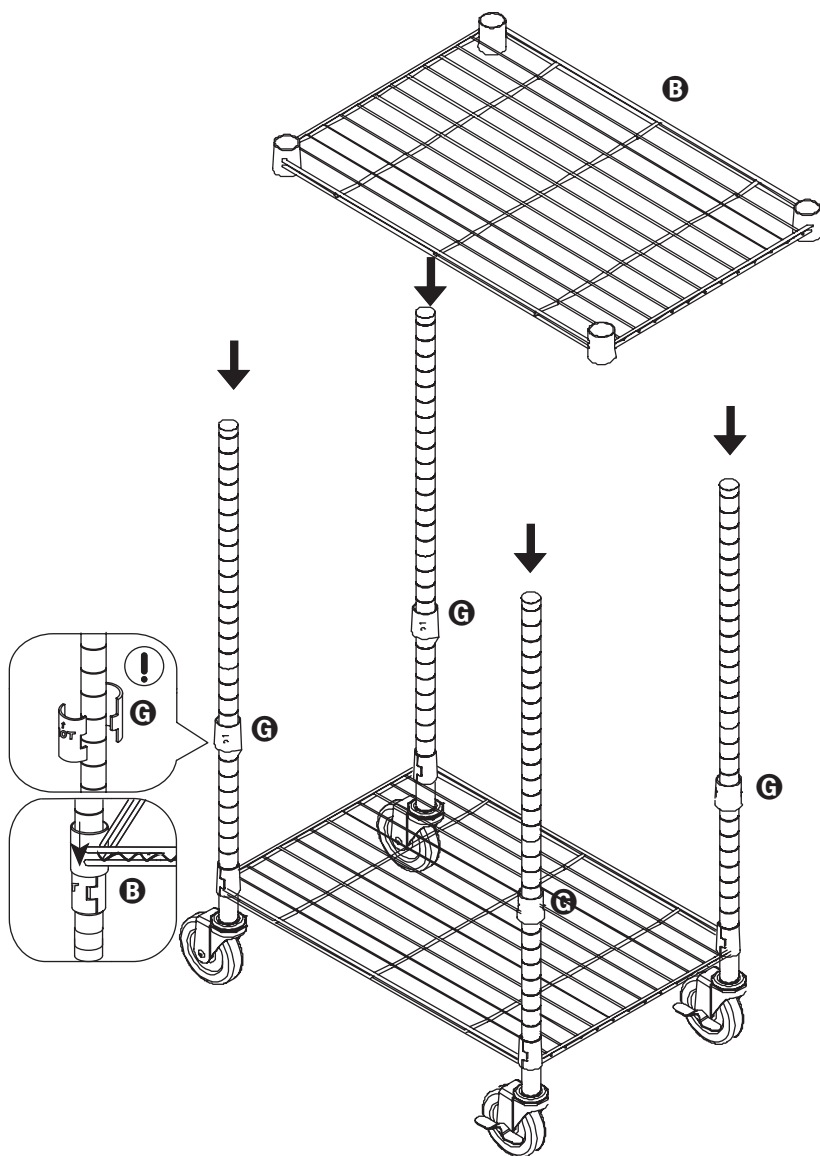
ASSEMBLY

2



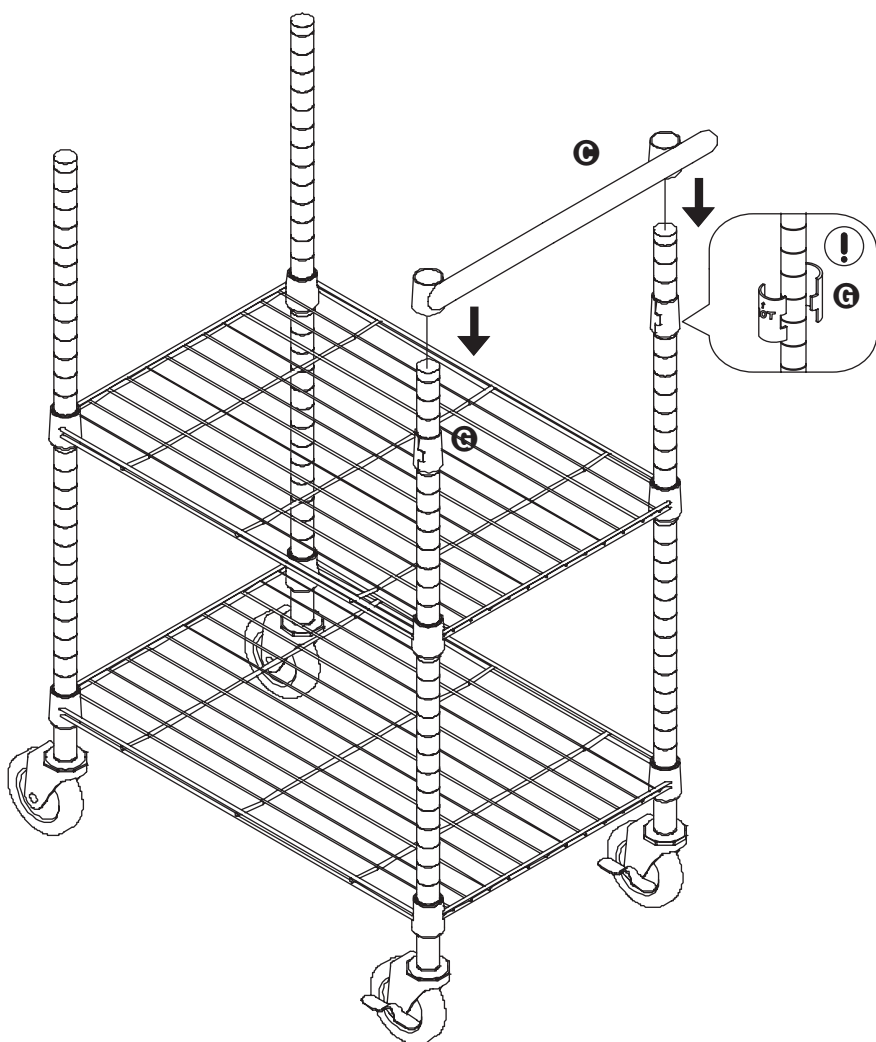
ASSEMBLY

3



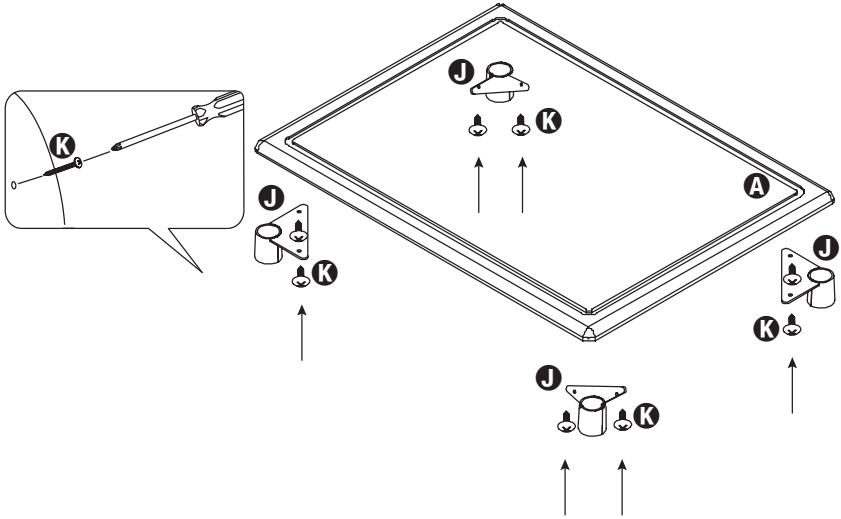
ASSEMBLY

4

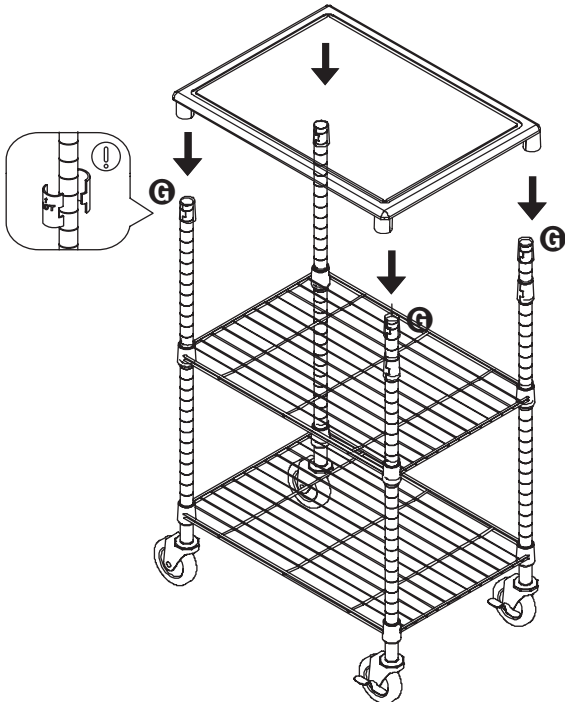


ASSEMBLY

5



6



LIMITED LIFETIME WARRANTY

We warrant our products will be free from defects in materials and workmanship when used for normal personal or household use. Except as provided below us, at its option, may offer a comparable product or offer a replacement part or request that the item be returned to the place of purchase. This warranty DOES NOT apply to damage caused by negligence, misuse, excessive use, improper cleaning, improper assembly, or any circumstances not directly attributable to manufacturing defects. Proof of purchase is required in the form of a receipt (copy or original) to validate warranty. We provide this limited lifetime warranty in lieu of all other warranties, either express or implied.

WARNING:

Keep bags and plastic sheeting away from babies and children. Do not use in cribs, beds, carriages or playpens. The plastic may cling to the nose and mouth and prevent breathing.

