



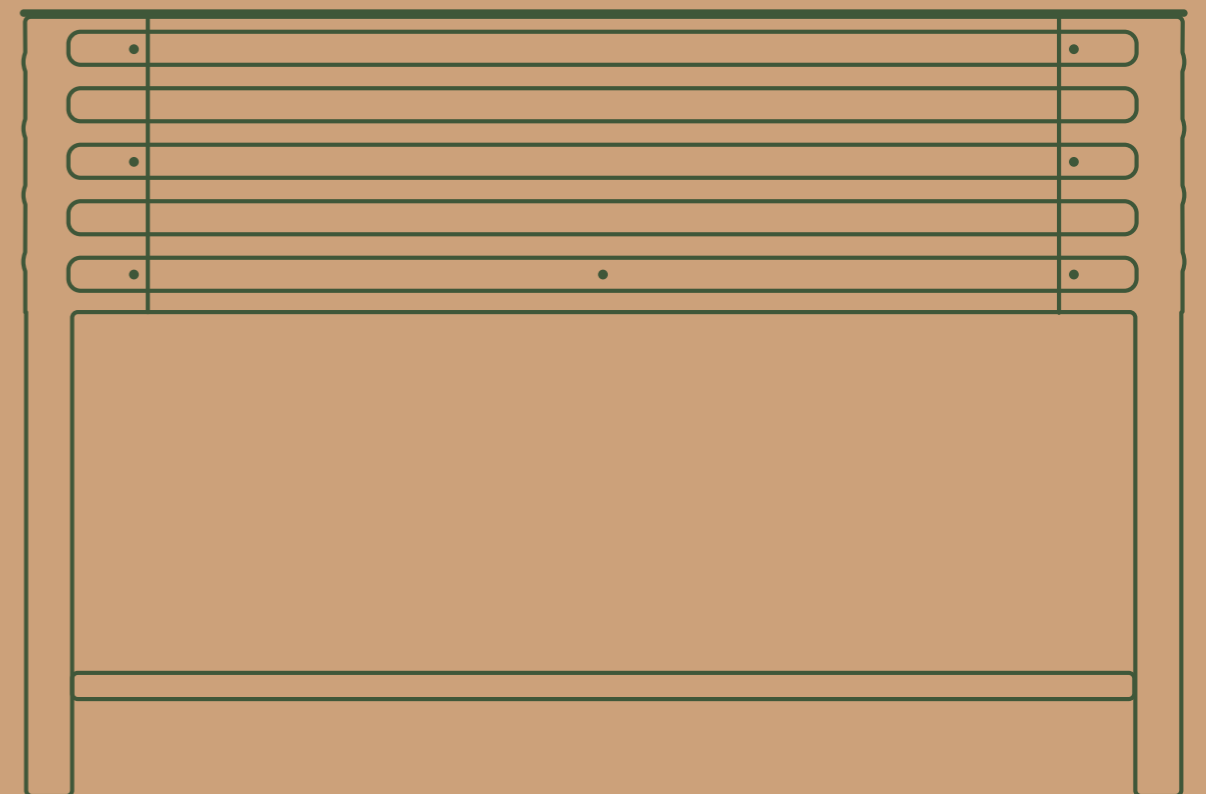
General Manual for Elevated Garden Bed 2ft x 4ft

Gardening Made Easier. Anytime, Anywhere.


Copyright © 2024 Vego



**Gardening
Made Easier.
Anytime,
Anywhere.**



Contact Us

 +1 (866) 597-1888

 Vego Garden Academy

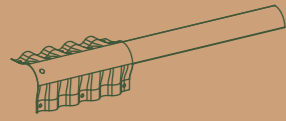
 hello@vegogarden.com

 vegogarden.com

 vego_garden

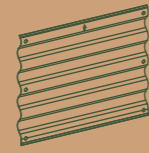
 Houston, TX

Parts List



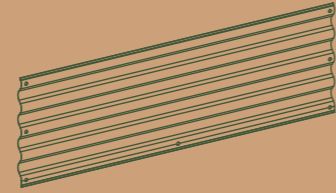
P1

Qty: 4



P2

Qty: 2



P3

Qty: 2



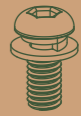
F2

M6
Qty: 16



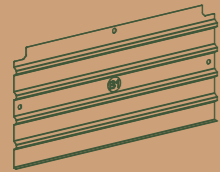
F3

M6x8
Qty: 10



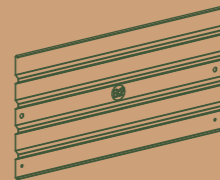
F4

M6x14
Qty: 16



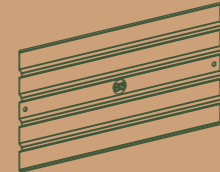
B1

Qty: 2



B2

Qty: 1



B3

Qty: 1



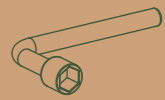
Z1

Qty: 6



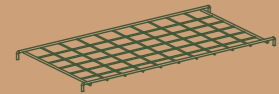
T1

Qty: 1



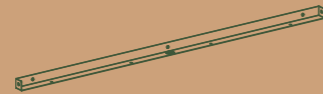
T2

Qty: 1



B4

Qty: 4



H1

Qty: 2



H2

Qty: 2



SE

Qty: 1



H3

Qty: 2



H4

Qty: 2

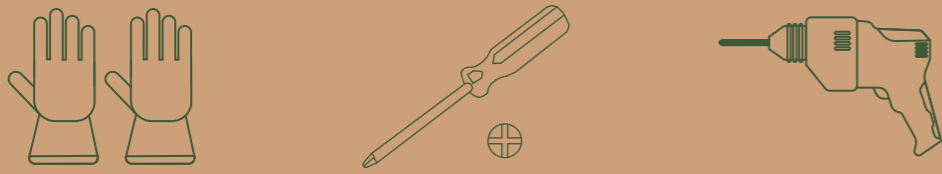


F1

M6x10
Qty: 26

Assemble Tips

- Additional tools are needed to complete this assembly, see below:



- Approximately half an hour to complete the assembly.
- During assembly, we recommend placing the unpacked box flat on the ground to serve as a protective mat.

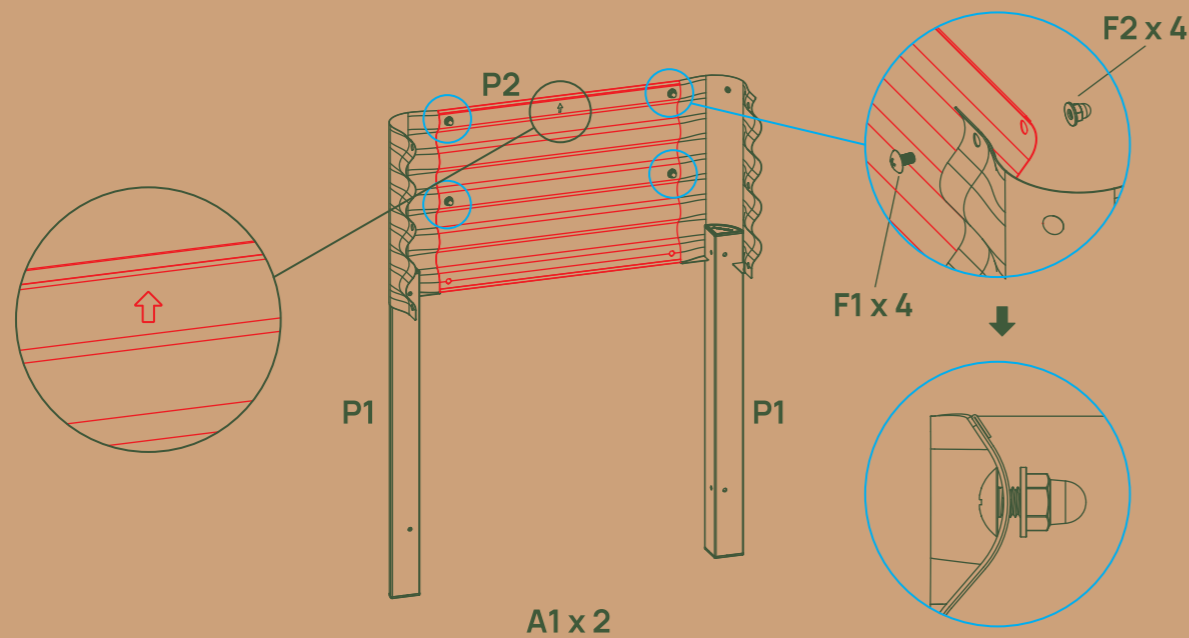
Assembly Guide

www.vegogarden.com/assembly

- Assemble A1 with the F1 bolts and F2 cap nuts, using them to attach the P1 metal leg and P2 corrugated panel. Install the top two rows only. Two A1 pieces are required.

Notes:

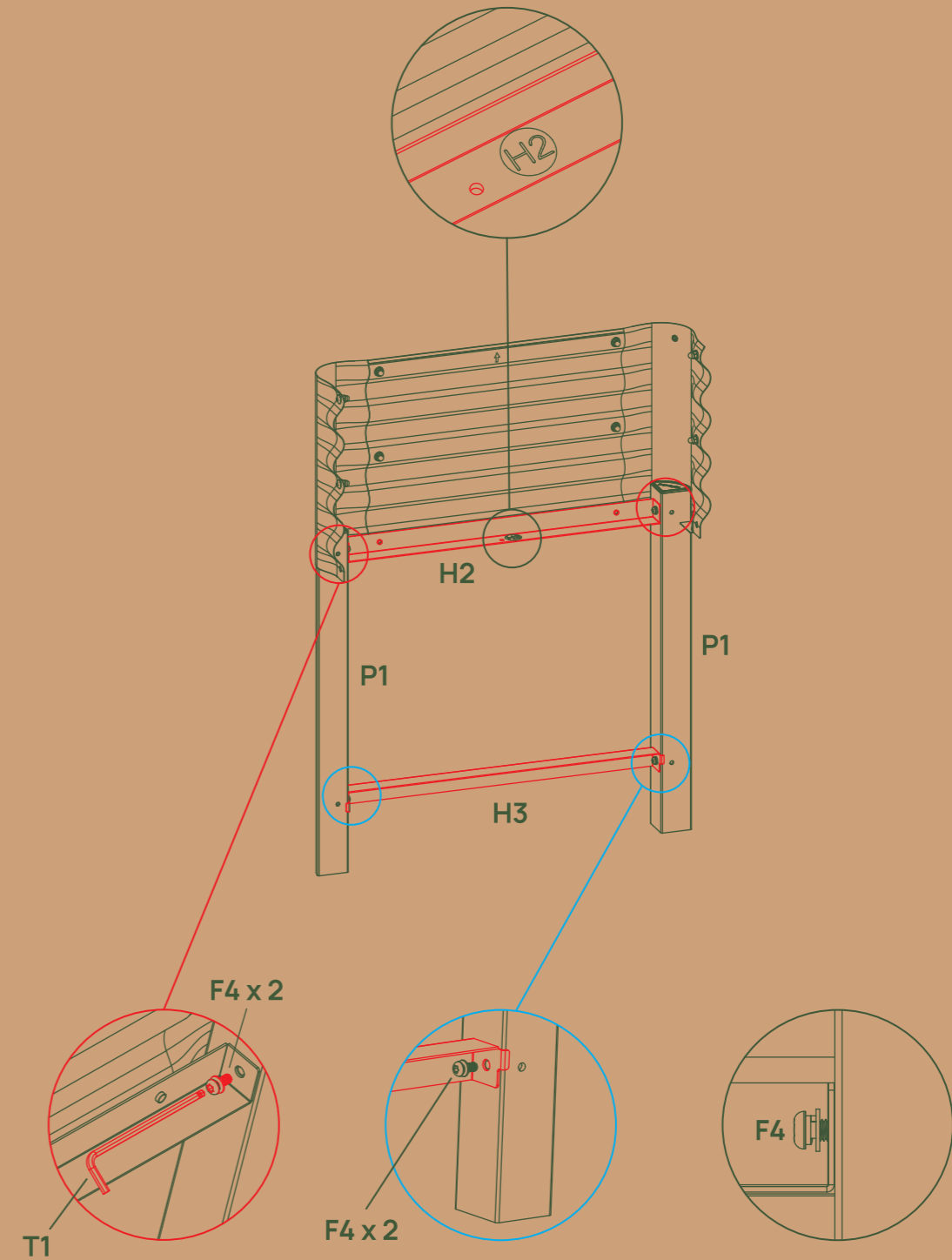
- Make sure the P2 corrugated panel is installed on the interior side.
- Do not tighten the bolts fully to allow for easier final assembly.
- Make Sure the "UP" label is positioned on the inside of the P2 corrugated panel and facing upward.



- Use the T1 wrench and F4 bolts to attach H2 and H3 to the side of A1's metal legs (P1).

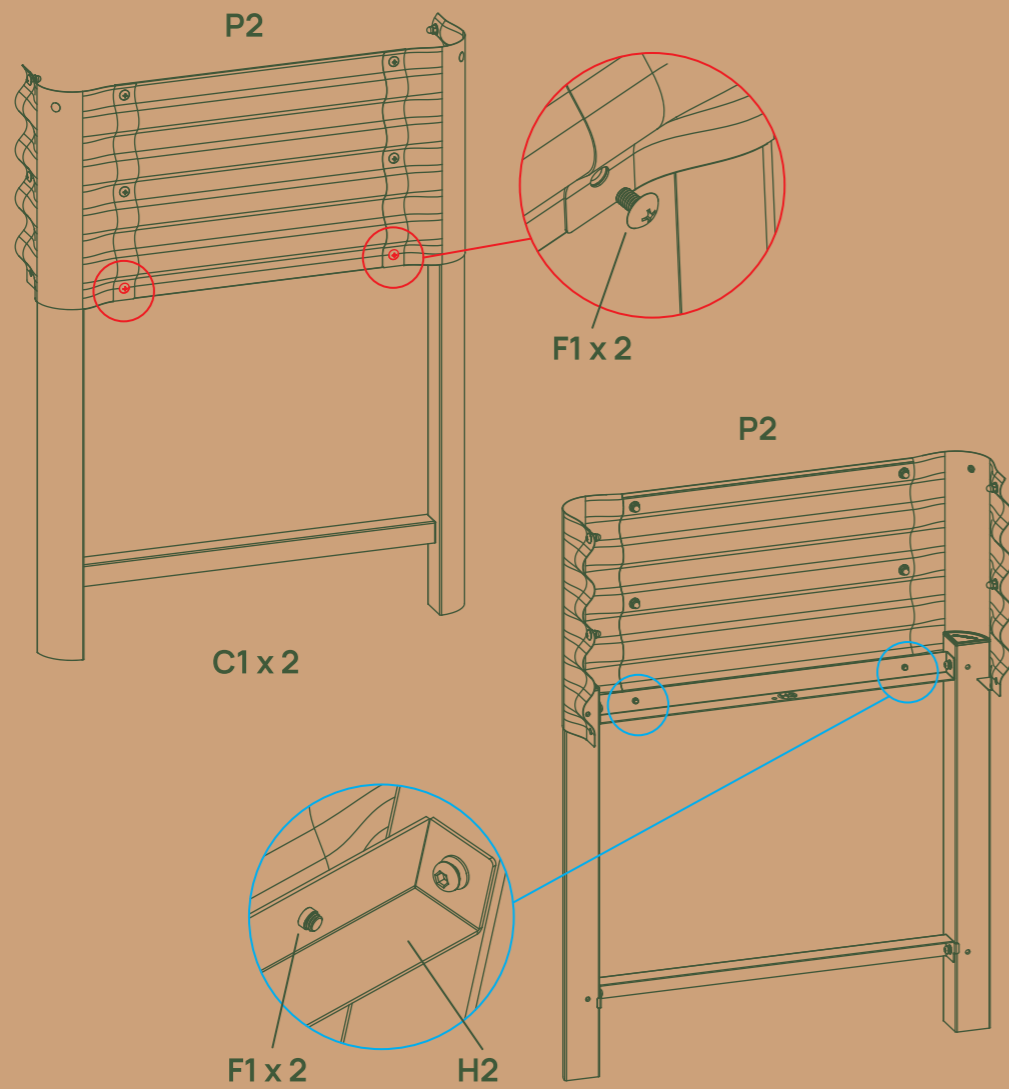
Notes:

- Do not tighten the bolts fully to allow for easier final assembly.
- Ensure the label on H2 faces upward, and the label on H3 is facing downward.

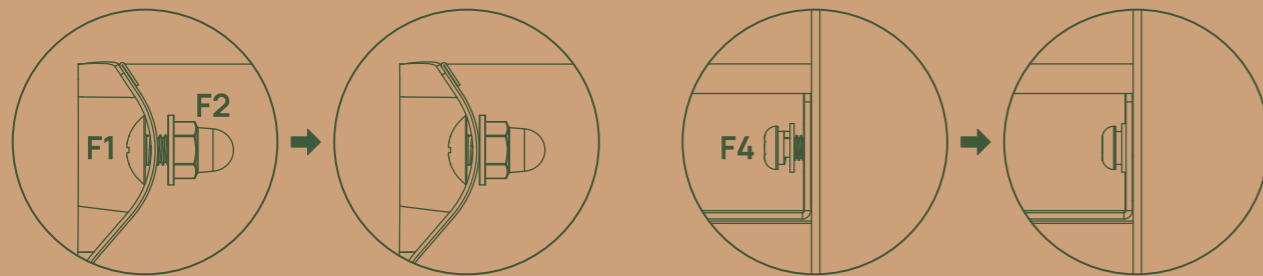


3 Use F1 bolts from the outside of P2 to connect P2 and H2 securely in place, forming C1. Two C1 units are required.

Note: If the holes do not align, loosen P1, P2, and H2 slightly.



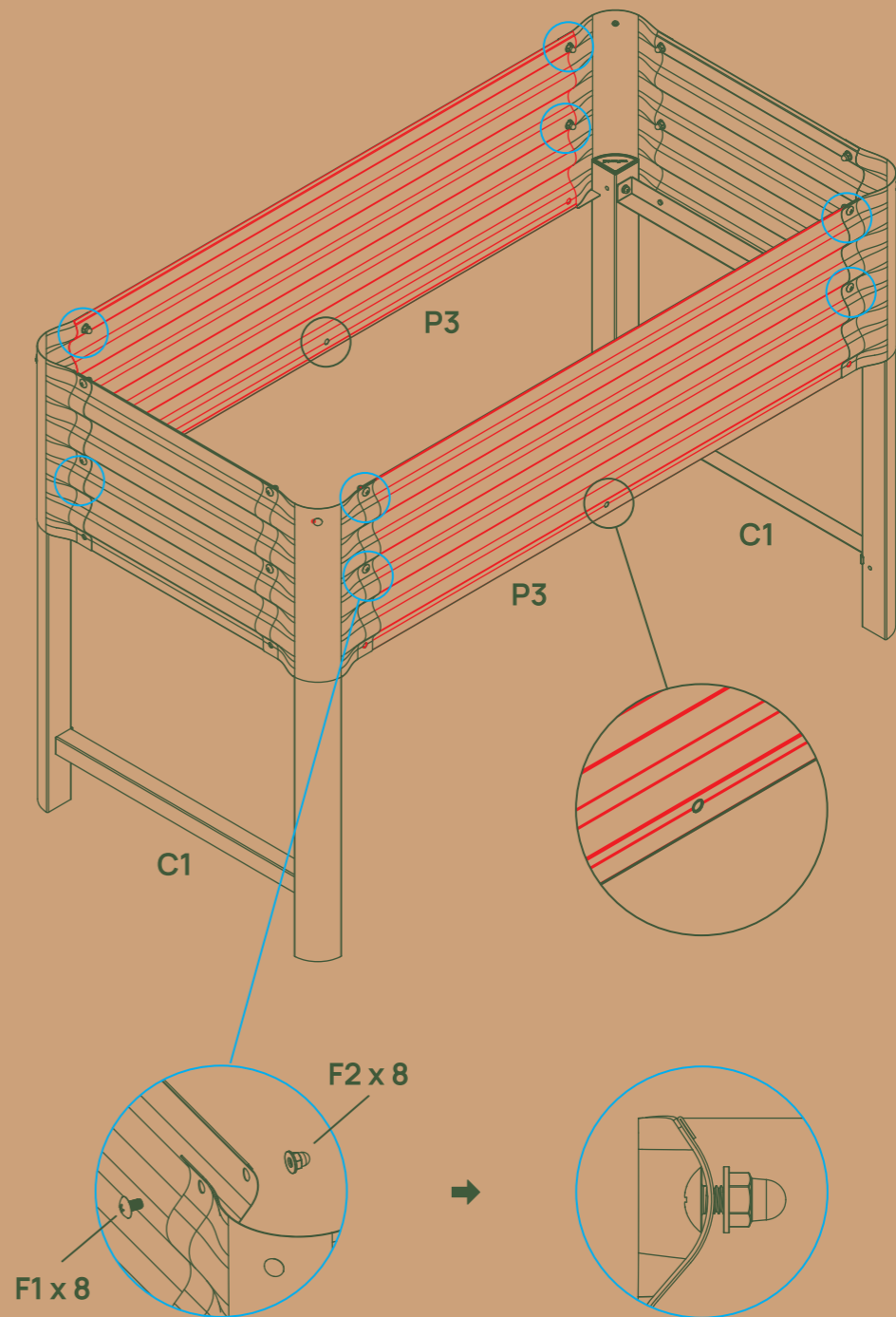
After completing this step, tighten all the bolts and nuts on C1.



4 Use F1 bolts and F2 cap nuts to connect and secure P3 and C1 in place.

Notes:

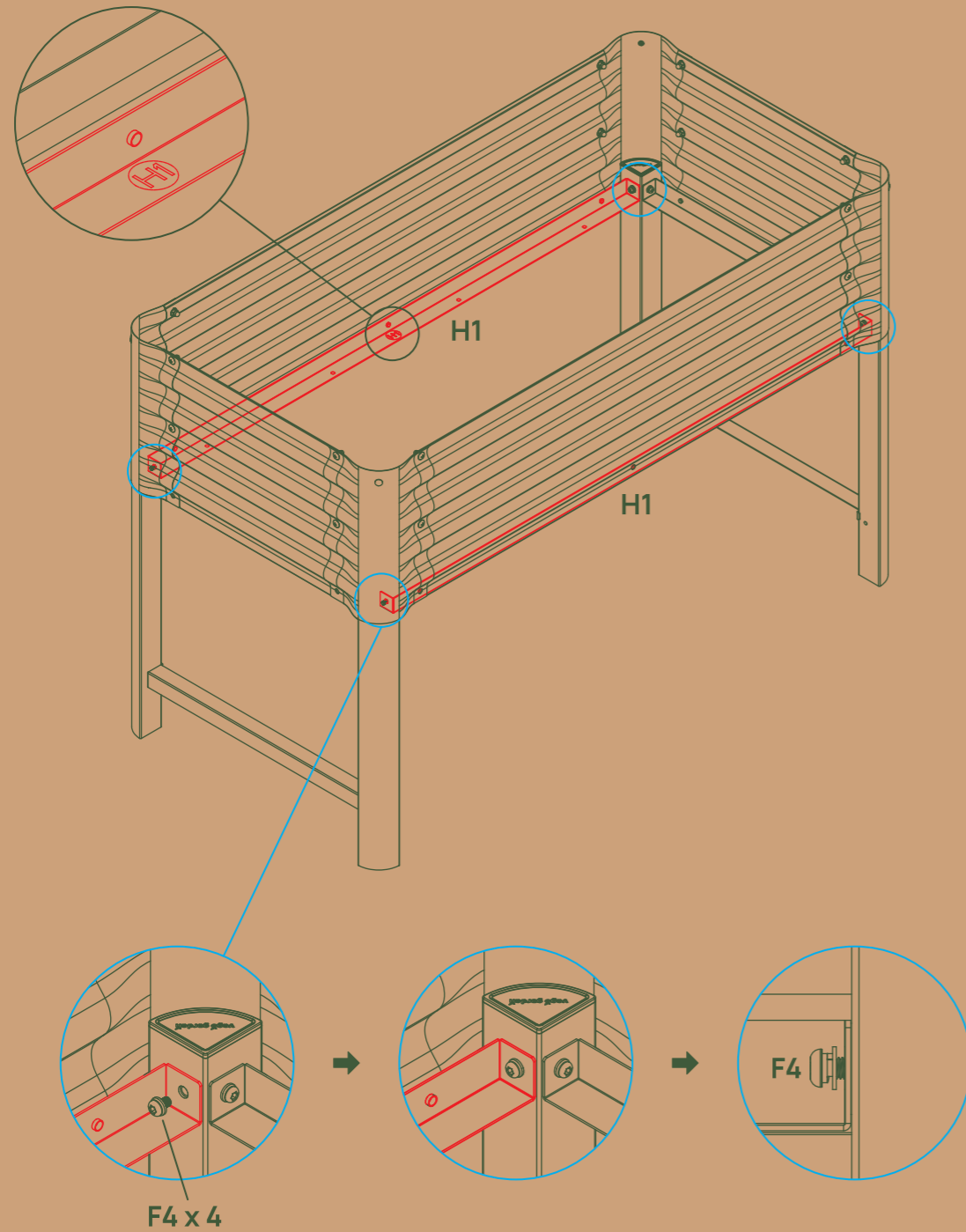
1. Only use the top two rows of holes for assembly.
2. Do not tighten the bolts fully to allow for easier final assembly.
3. Make sure the side of P3 corrugated panel with holes faces downward.



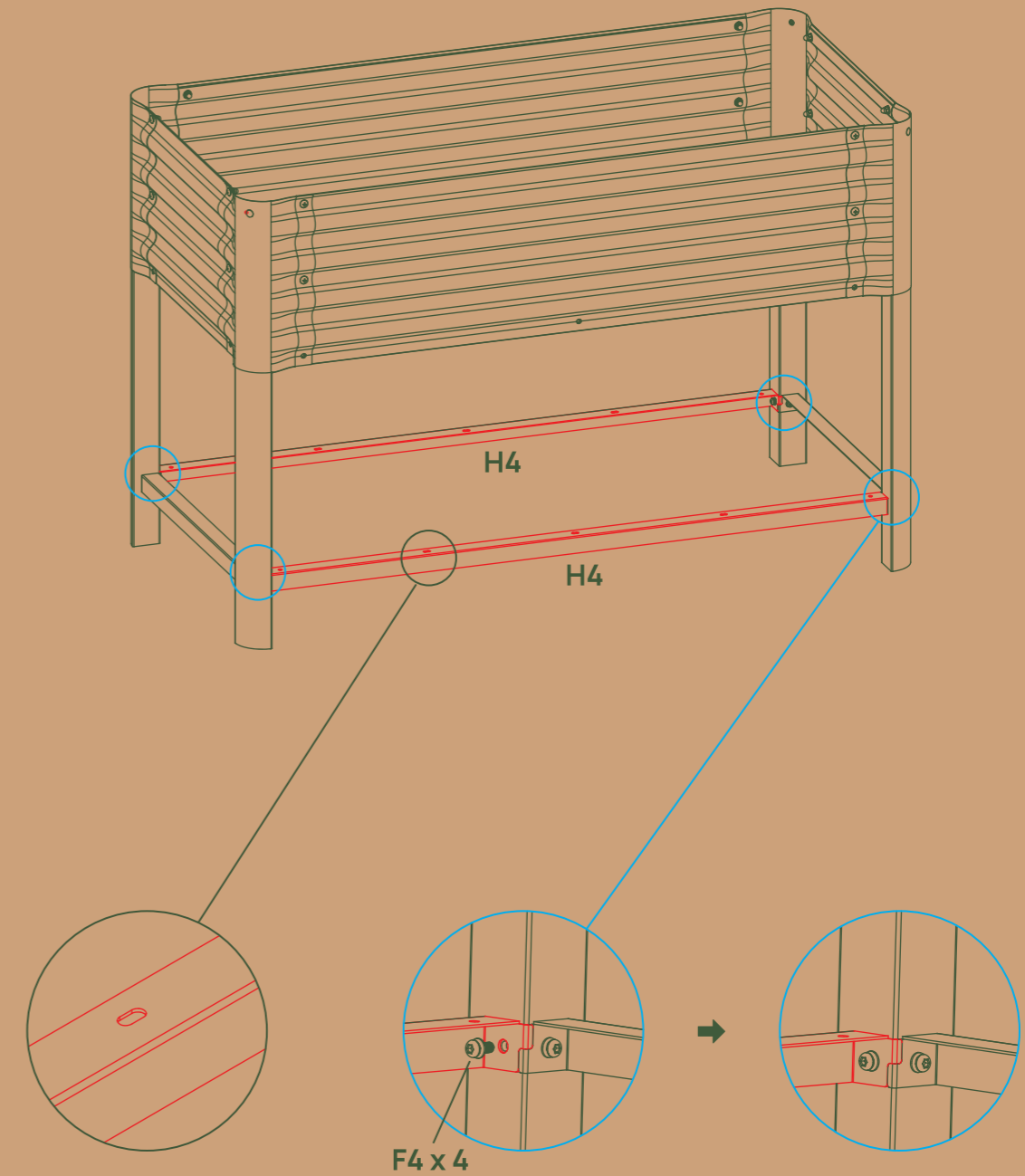
5 Use the T1 wrench and F4 bolts to attach the two H1 pieces to the sides of the metal legs.

Notes:

1. Make sure the labels on H1 are facing upward.
2. Do not tighten the bolts fully to allow for easier final assembly.



6 Use the T1 wrench and F4 bolts to attach the two H4 pieces to the sides of the metal legs.

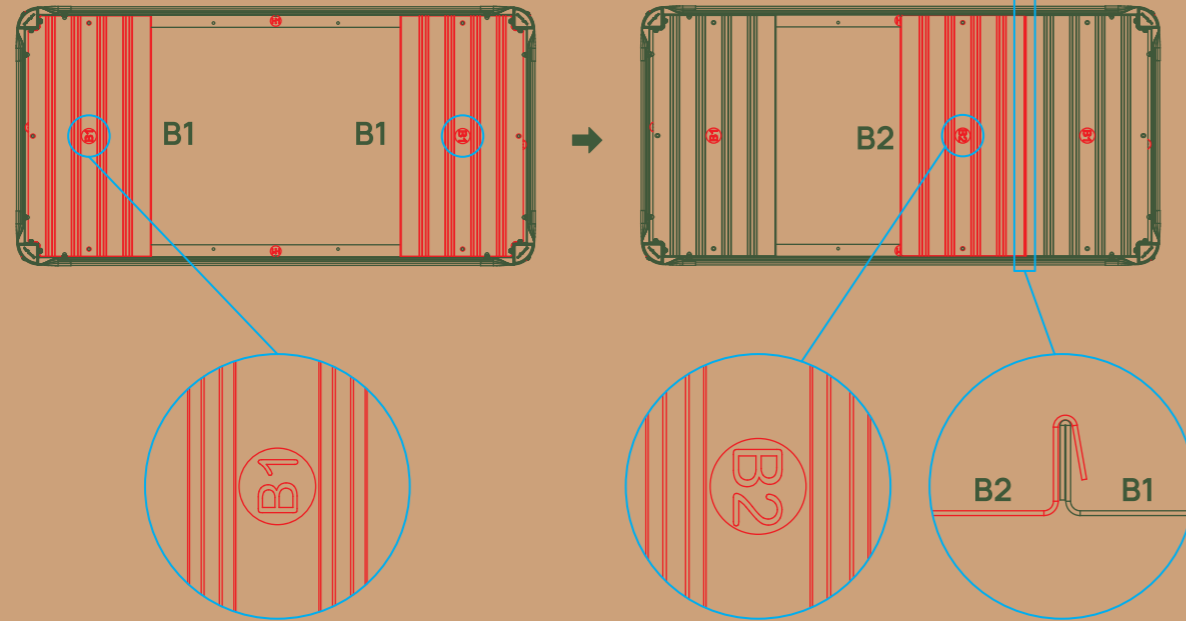


Note: The side with the pre-drilled holes should face upwards.

7 Install the bottom boards into the Elevated Garden Bed.

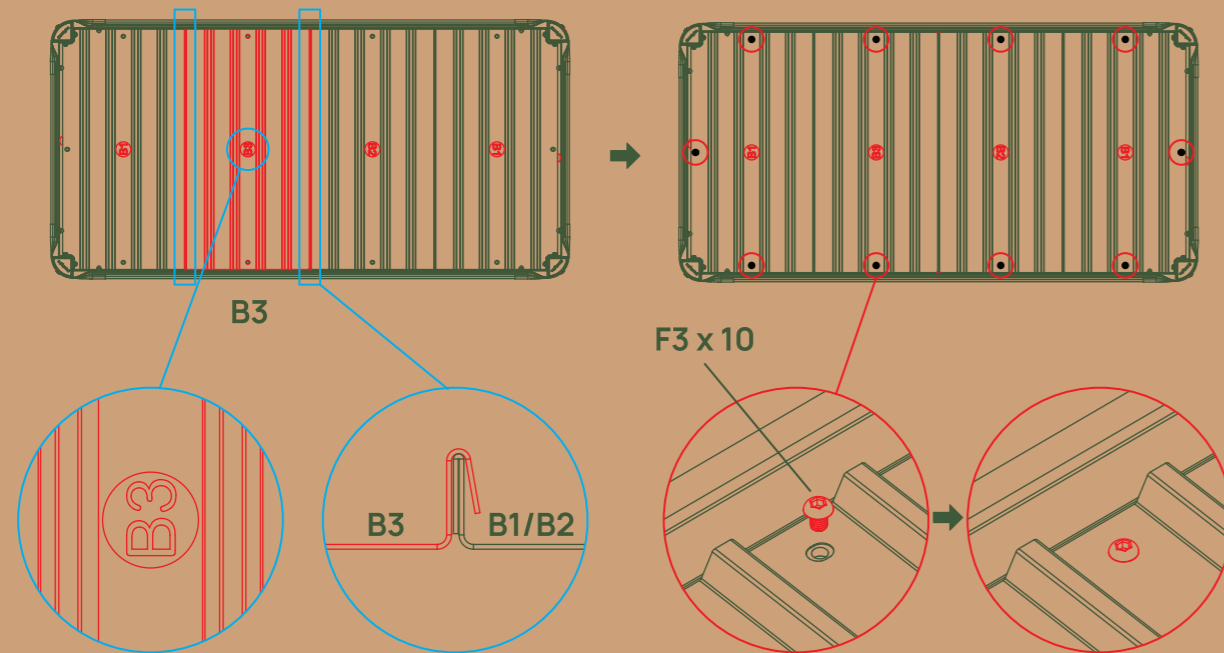
Insert the B1 bottom boards, ensuring the labels face upwards.

Insert the B2 bottom board, ensuring the label faces upwards.



Insert the B3 bottom board, ensuring the label faces upwards.

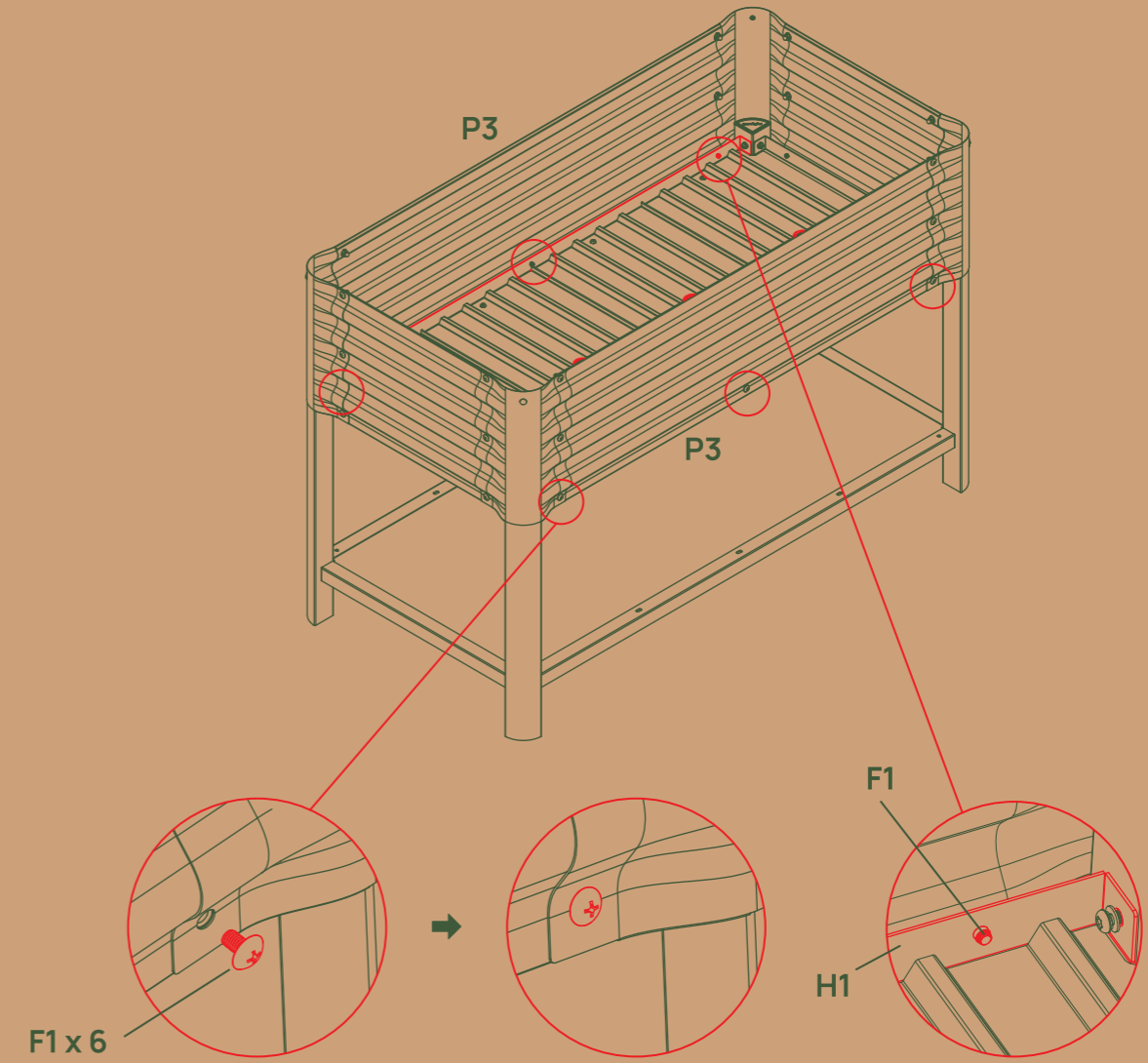
Use the T1 wrench and F3 bolts to secure the bottom boards in place.



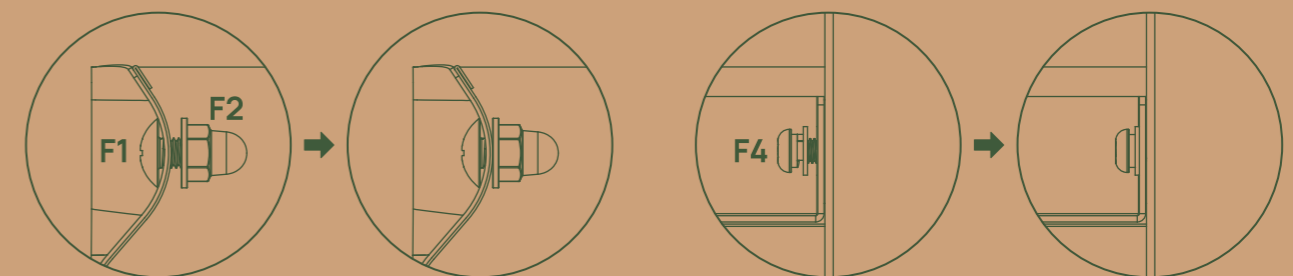
8 Use the F1 bolts to secure the bottom row of holes on the corrugated panel.

Note:

If the holes of the P3 corrugated panel and H1 do not align easily during installation, slightly loosen the bolts on P3 and H1, then gently move P3 and H1 to align the holes.



After completing this step, securely tighten all the bolts and nuts.



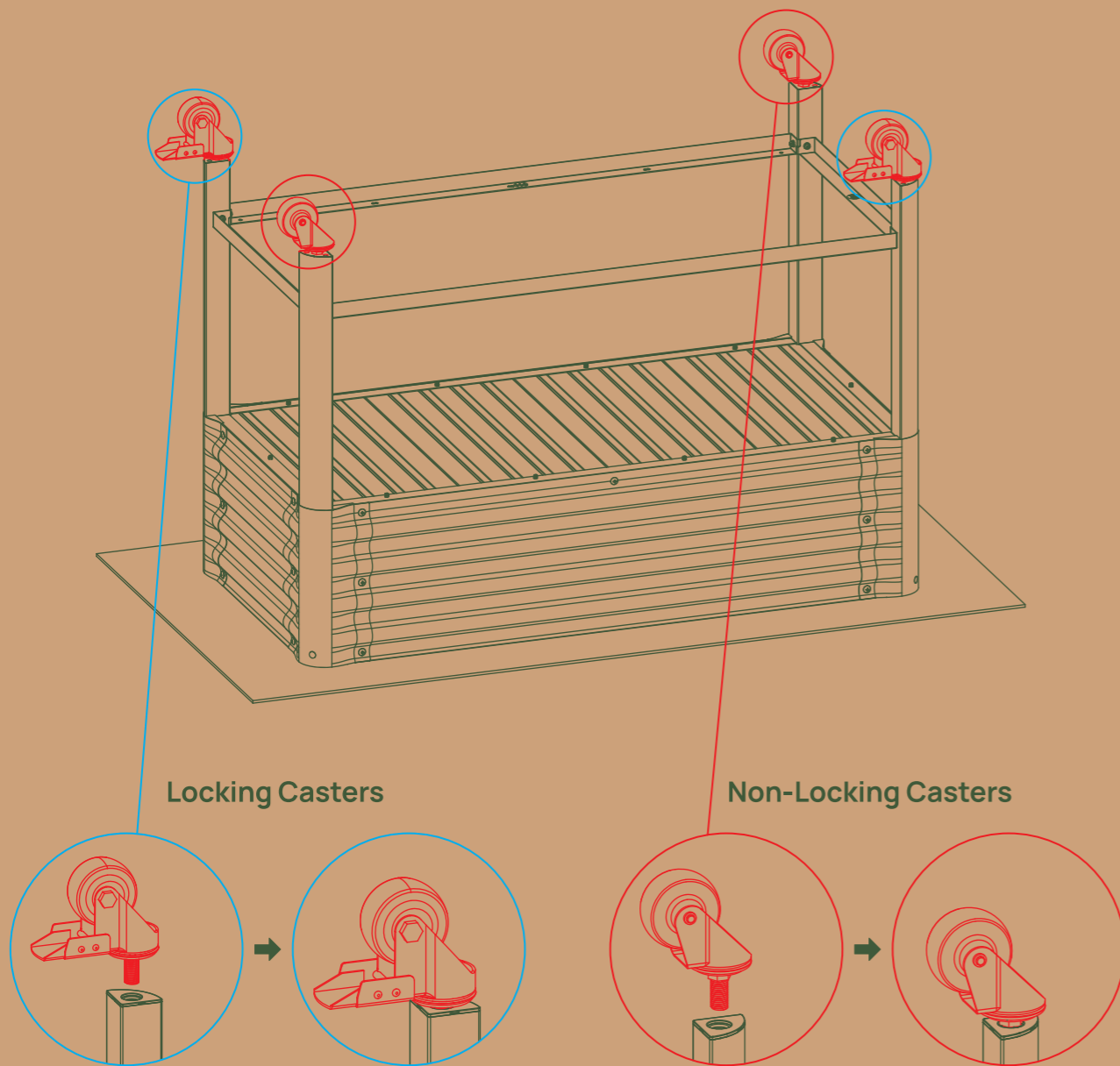
Attach The Casters to the Elevated Garden Bed

If you purchased the Elevated Garden Bed with casters, please follow the steps below to install them. If not, you can skip this step.

First turn the Elevated Garden Bed upside down, on a piece of cardboard or protective surface. Next, hand-tighten the caster's bolt into the hole at the bottom of the metal legs until it can no longer turn.

Notes:

1. Make sure both Locking casters are installed diagonally.
2. The casters are shipped separately, and are not included in the Elevated Garden Bed packaging.



Important Notice For Using the Casters

For optimal use, safety, and to prolong the lifespan of the casters please adhere to the follow guidelines:

- Always engage the casters' brakes when the garden bed is stationary to prevent unintended movement.
- Avoid depressions or grooves deeper than 0.4 inches, as they may cause the casters to become unstable.
- Remove any small stones, debris, or obstacles that could hinder movement or damage the casters over time.
- Use only on the suitable surfaces listed below.

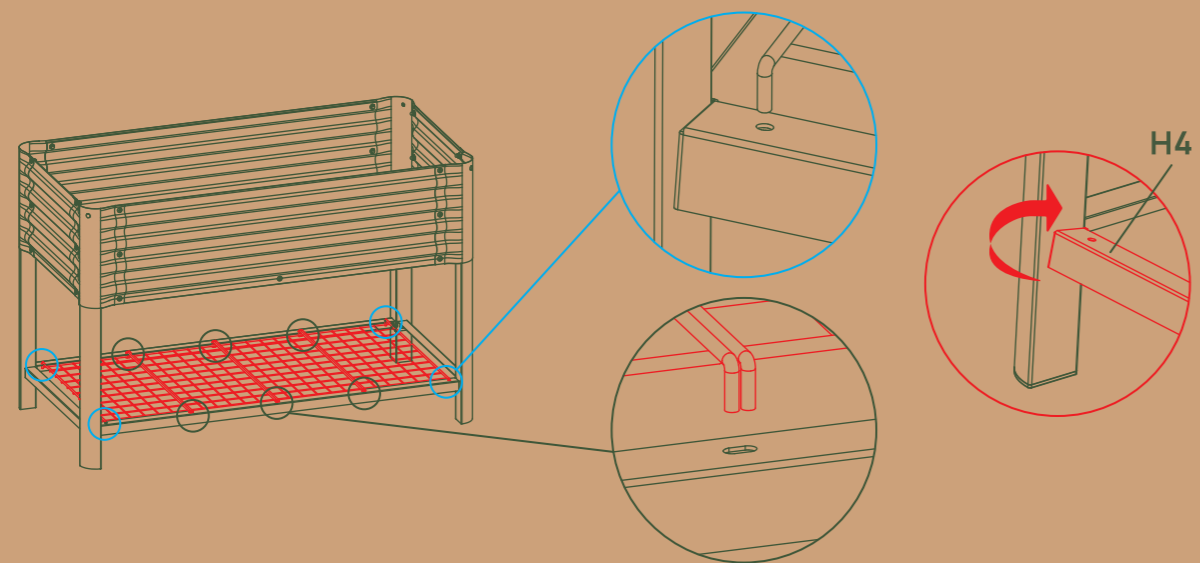
● Suitable Surfaces

- Flat, stable surfaces
- Concrete
- Wooden & composite decks
- Paved tiles

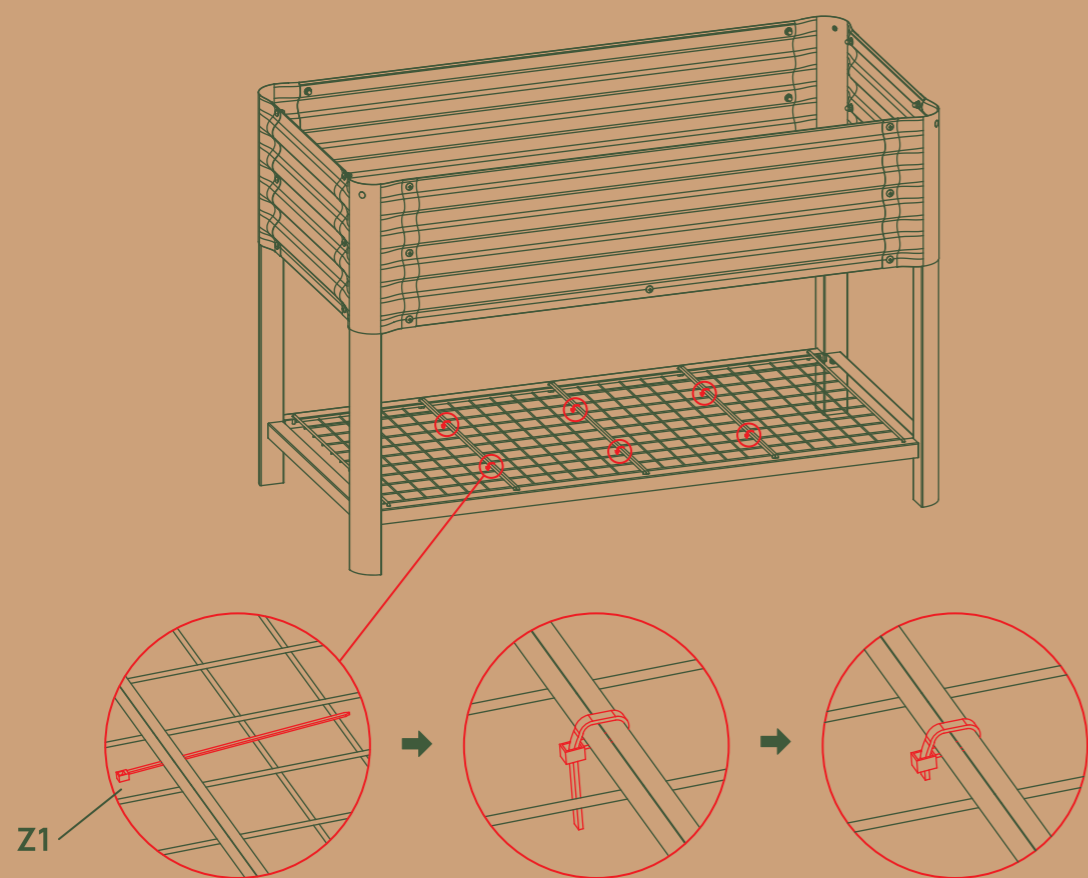
● Unsuitable Surfaces

- Sloped or inclined surfaces
- Soft surfaces such as grass, soil, or sand
- Uneven gravel or rocky areas

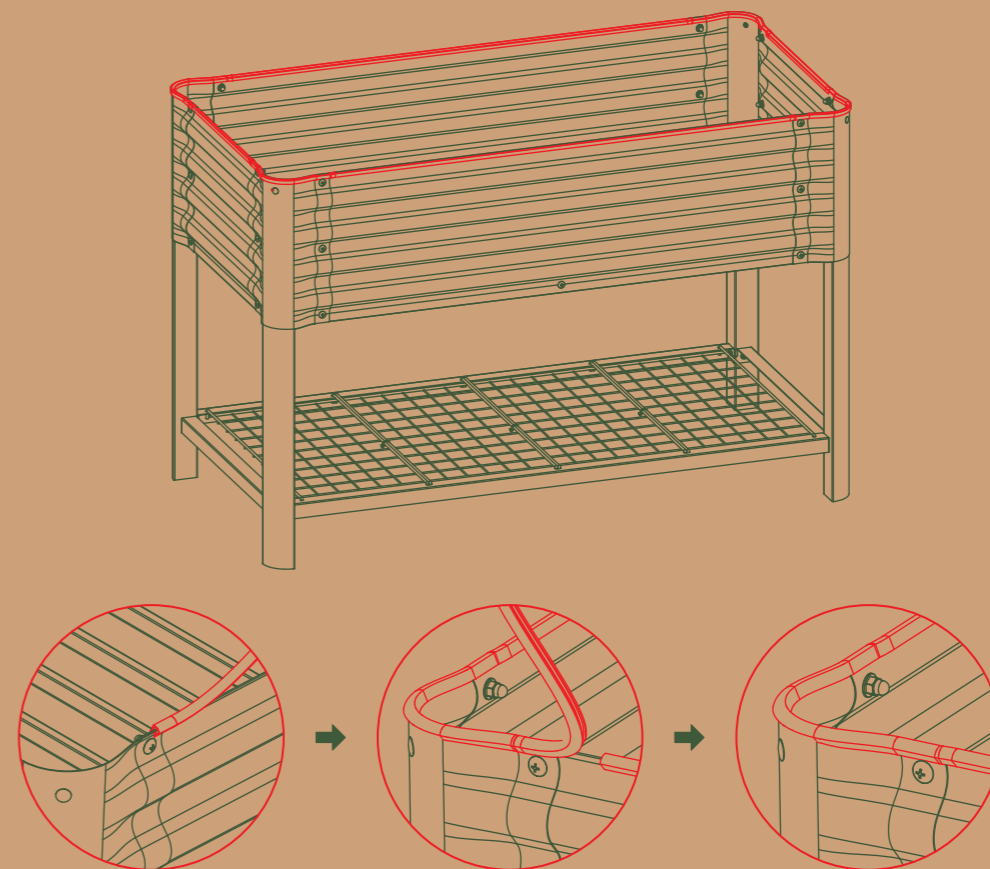
- 9** Insert the metal rack into the holes on H4.
Note:
If the holes are misaligned when inserting the metal rack, gently rotate part H4 and try reinserting the rack.



- 10** Use the Z1 zip ties to secure the rack pieces to each other as shown.



- 11** Press the safety edging along the top edge of the bed to secure.
Your Elevated Garden Bed is now assembled. Happy gardening!




**Gardening
Made Easier.
Anytime,
Anywhere.**