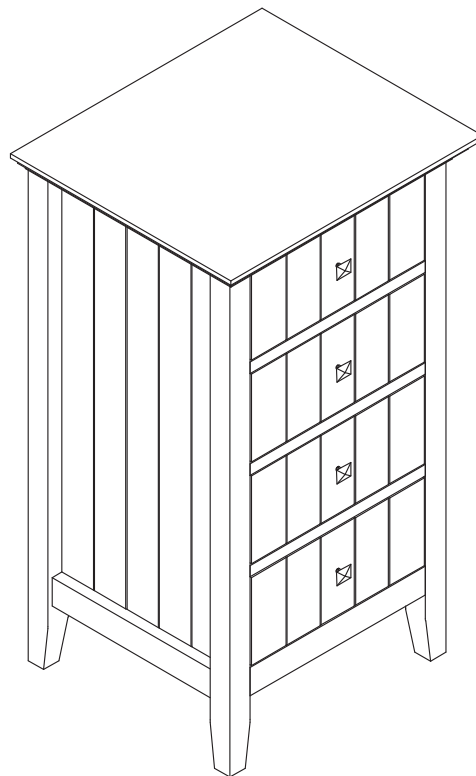


4 DRAWER FLOOR CABINET





Questions, problems, assembly help, missing parts?

No need to return the product, we will gladly help and ship your replacement parts free of charge
Please call Customer Service

In order to assist you in a timely manner, please have the following information ready:

Model # _____ Part Number or Letter _____

Purchased at _____ Date of Purchase _____

If you wish to return the product, please contact the retailer where the product was purchased.

IMPORTANT : Please read this manual carefully before beginning assembly of this product. Keep this manual for future reference.

SAFETY INFORMATION

Identify all the parts and hardware. Do not discard of the packaging until you have checked that you have all of the parts and hardware required. Hardware package may have spare parts.

WARNING: This item contains small parts which can be swallowed by children and pets. Keep children and pets away during assembly. To avoid danger of suffocation, always keep plastic bags away from children and pets. We recommend that you assemble this unit on a carpeted floor to avoid scratches. If using power tools, set the tool to low torque to avoid damage.

May require 2 people for ease of assembly.

CARE and MAINTENANCE

To clean, use a soft or slightly damp cloth, then wipe with a clean, dry cloth. Dust with soft dry cloth.

Do not use ammonia-based cleaning products, as they will damage the finish.

Do not leave liquids or damp cloths on this furniture.

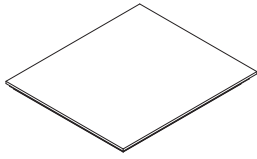
To avoid dulling of the finish, do not place furniture in direct sunlight.

Please inspect and tighten all screws or bolts on a regular basis to ensure proper performance and safety of your item.

PRE-ASSEMBLY INFORMATION

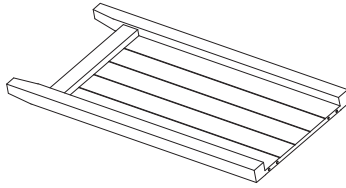
PARTS DESCRIPTION

A



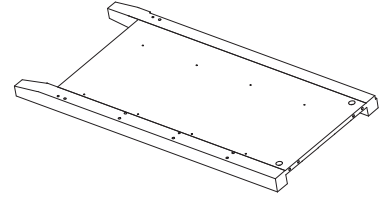
CABINET TOP
QTY 1

B



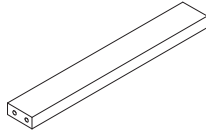
LEFT SIDE PANEL
QTY 1

C



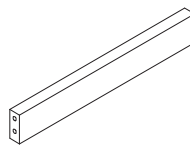
RIGHT SIDE PANEL
QTY 1

D



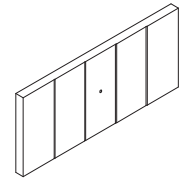
CROSS BAR
QTY 2

E



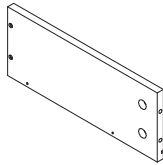
CROSS BAR
QTY 3

F



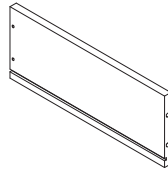
DRAWER FRONT PANEL
QTY 4

G



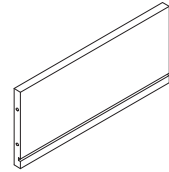
DRAWER LEFT SIDE PANEL
QTY 4

H



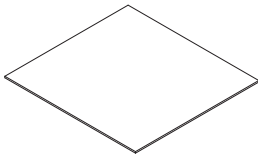
DRAWER RIGHT SIDE PANEL
QTY 4

I



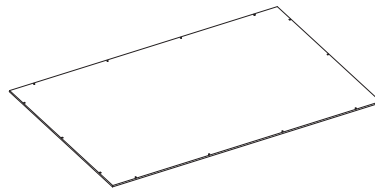
DRAWER BACK PANEL
QTY 4

J



DRAWER BOTTOM PANEL
QTY 4

K



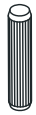
BACK PANEL
QTY 1

NEED HELP? For help with assembly or if you are missing a part,
Please call customer service

PRE-ASSEMBLY INFORMATION

HARDWARE DESCRIPTION

1



WOOD DOWEL
QTY 18

2



CAM BOLT
QTY 26

3



CAM LOCK
QTY 6

4



CAM LOCK
QTY 20

5



SCREW
QTY 32

6



SCREW
QTY 16

7



HANDLE
QTY 4

8



SCREW
QTY 4

9



SCREW
QTY 14

10



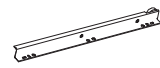
LEFT DRAWER SLIDES
QTY 4

11



RIGHT DRAWER SLIDES
QTY 4

12

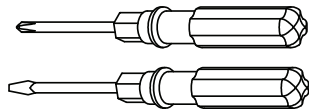


LEFT DRAWER GLIDES
QTY 4

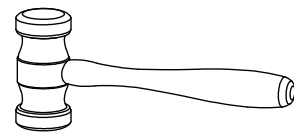
13



RIGHT DRAWER GLIDES
QTY 4

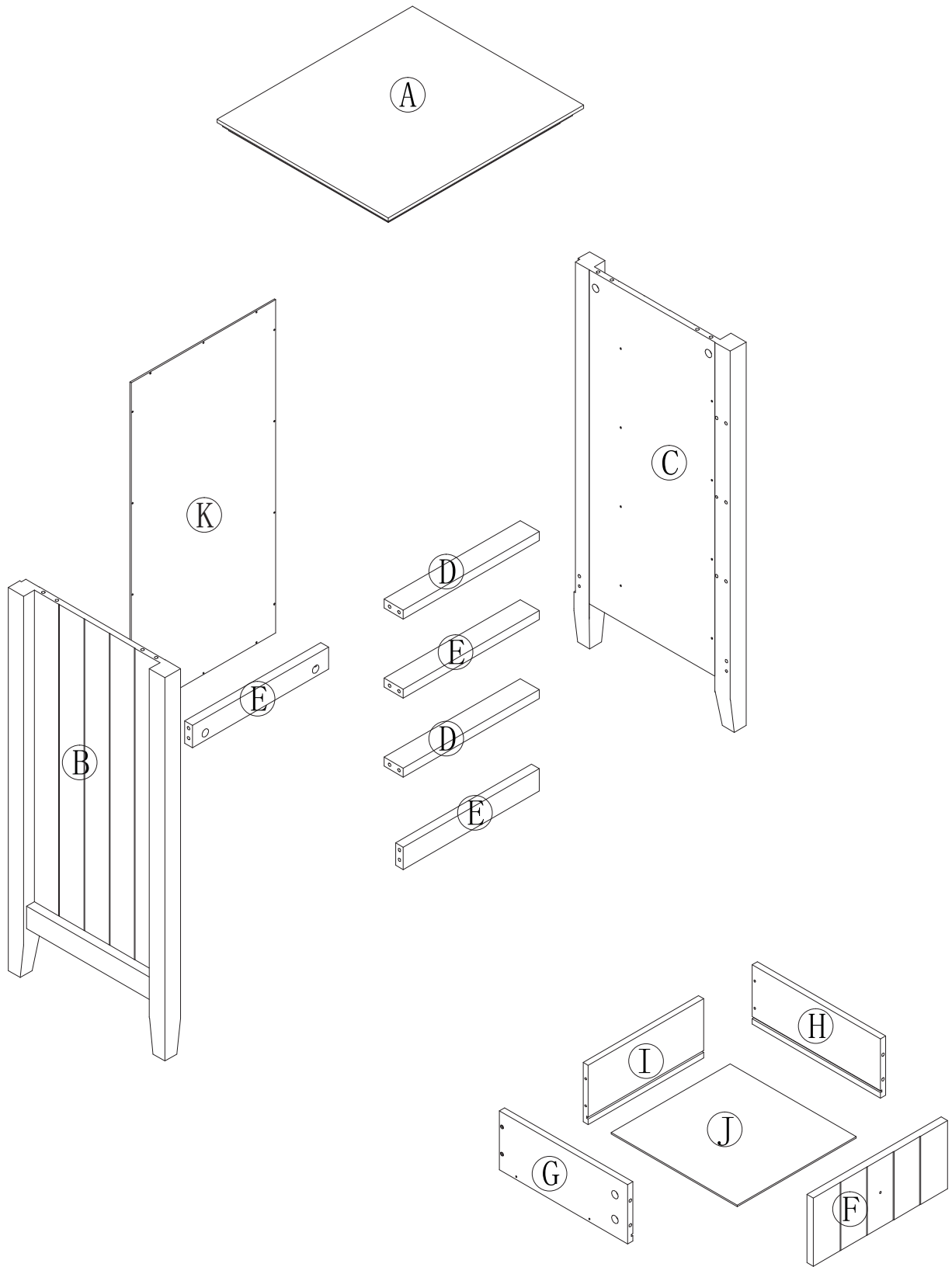


Required -
Flathead screwdriver
Phillips screwdriver
Rubber mallet
Not Included



NEED HELP? For help with assembly or if you are missing a part,
Please call customer service

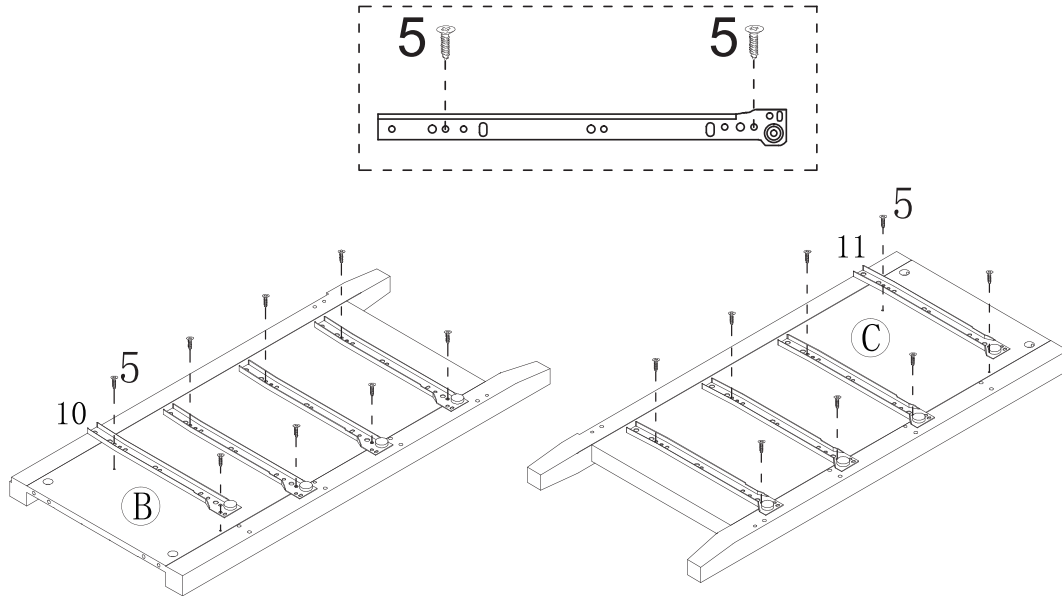
COMPONENTS-KEY DIAGRAM



x4

ASSEMBLY

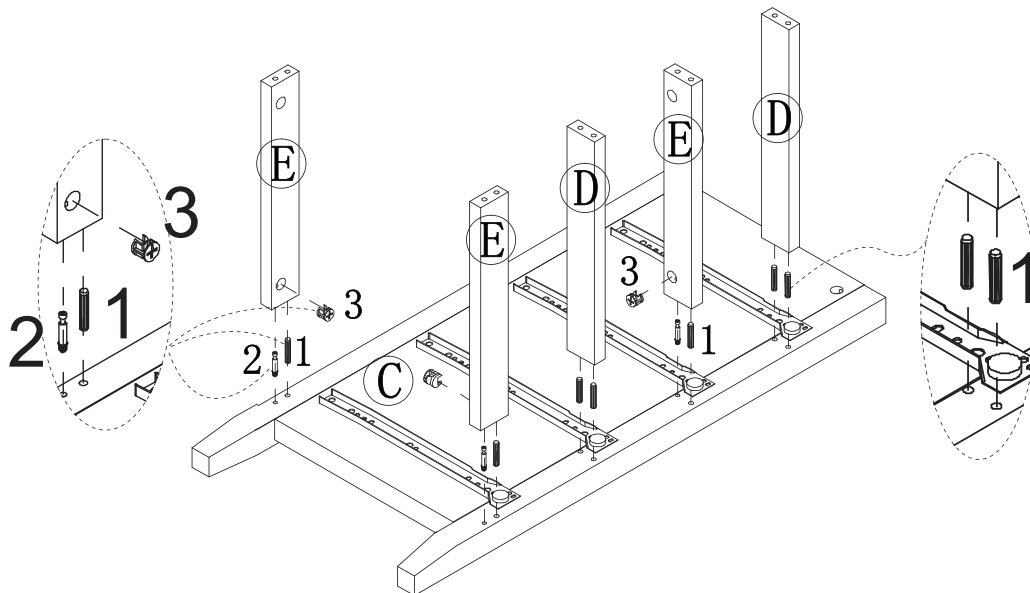
STEP 1



Assembling the Left Side Panel and Right Side Panel

1. Attach the four left drawer slides (10) to the left side panel (B) by inserting eight screws (5) through the holes on the left drawer slides (10) and tighten using a Phillips screwdriver.
2. Attach the four right drawer slides (11) to the right side panel (C) by inserting eight screws (5) through the holes on the right drawer slides (11) and tighten using a Phillips screwdriver.

STEP 2

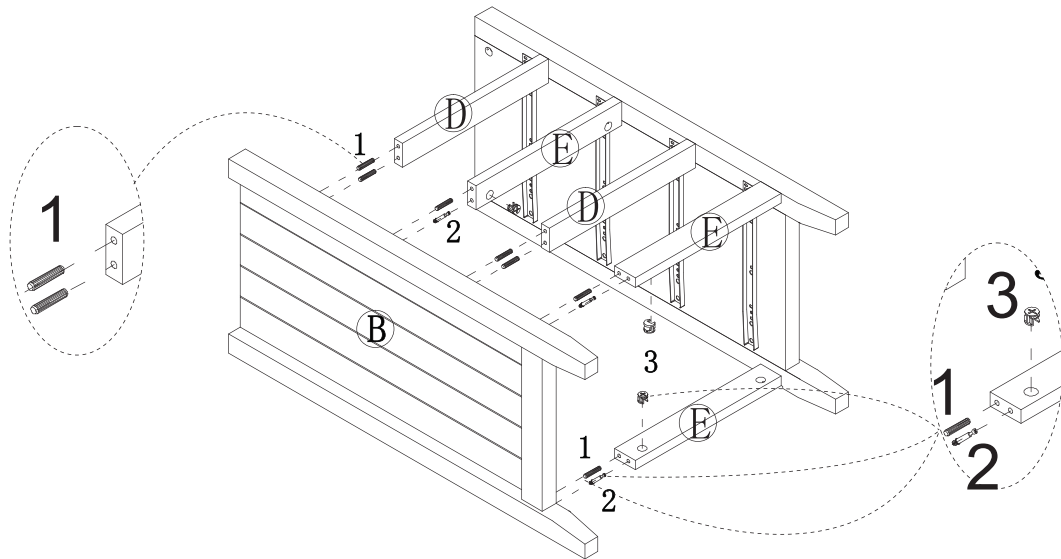


Assembling Right Side Panel and Cross Bar

1. Attach the two cross bars (D) to the right side panel (C) by inserting four wood dowels (1) on the cross bar (D).
2. Lay down the right side panel (C) and screw three cam bolts (2) into the pre-drilled holes using a Phillips screwdriver.
3. Attach the three cross bars (E) to the right side panel (C) by inserting three wood dowels (1) into the dowel holes on the cross bar (E).
4. Insert three cam locks (3) into the cam lock holes on the cross bar (E) and rotate clockwise to secure cam bolts are in place using a Phillips screwdriver.

ASSEMBLY

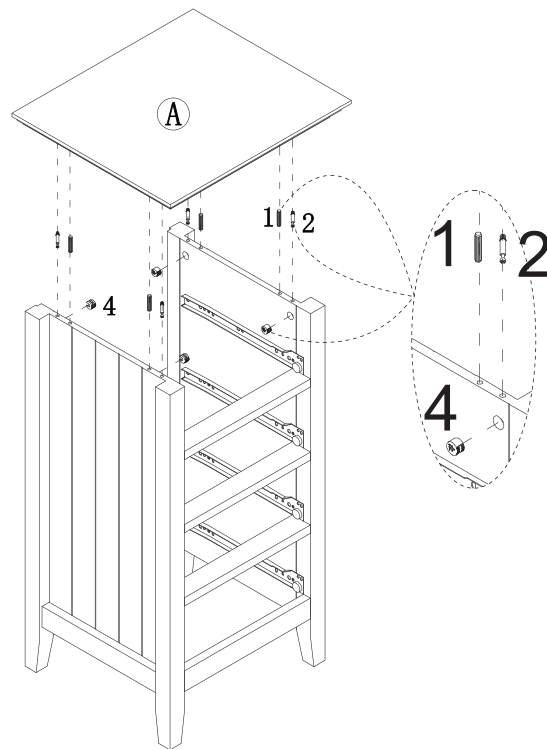
STEP 3



Assembling Left Side Panel

1. Attach the two cross bars (D) to the left side panel (B) by inserting four wood dowels (1) on the cross bar (D).
2. Lay down the left side panel (B) and screw three cam bolts (2) into the pre-drilled holes using a Phillips screwdriver.
3. Attach the three cross bars (E) to the left side panel (B) by inserting three wood dowels (1) into the dowel holes on the cross bar (E).
4. Insert three cam locks (3) into the cam lock holes on the cross bar (E) and rotate clockwise to secure cam bolts in place using a Phillips screwdriver.

STEP 4

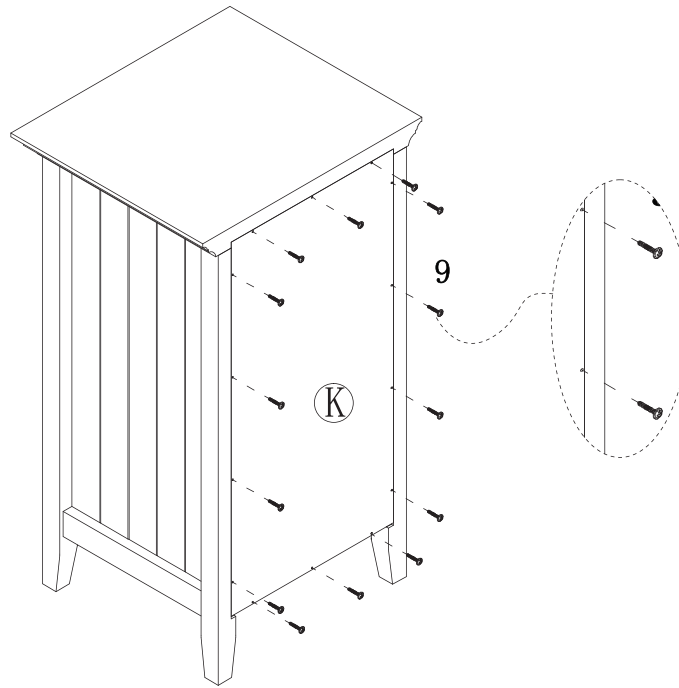


Assembling Cabinet Top

1. Lay down the cabinet top (A) and screw four cam bolts (2) into the pre-drilled holes using a Phillips screwdriver.
2. Attach the cabinet top (A) to both pre-assembled side panel (B) and (C) by inserting four wood dowels (1) into dowel holes on both tops of side panels (B) and (C).
3. Insert four cam locks (4) into cam lock holes on both tops of side panels (B) and (C).

ASSEMBLY

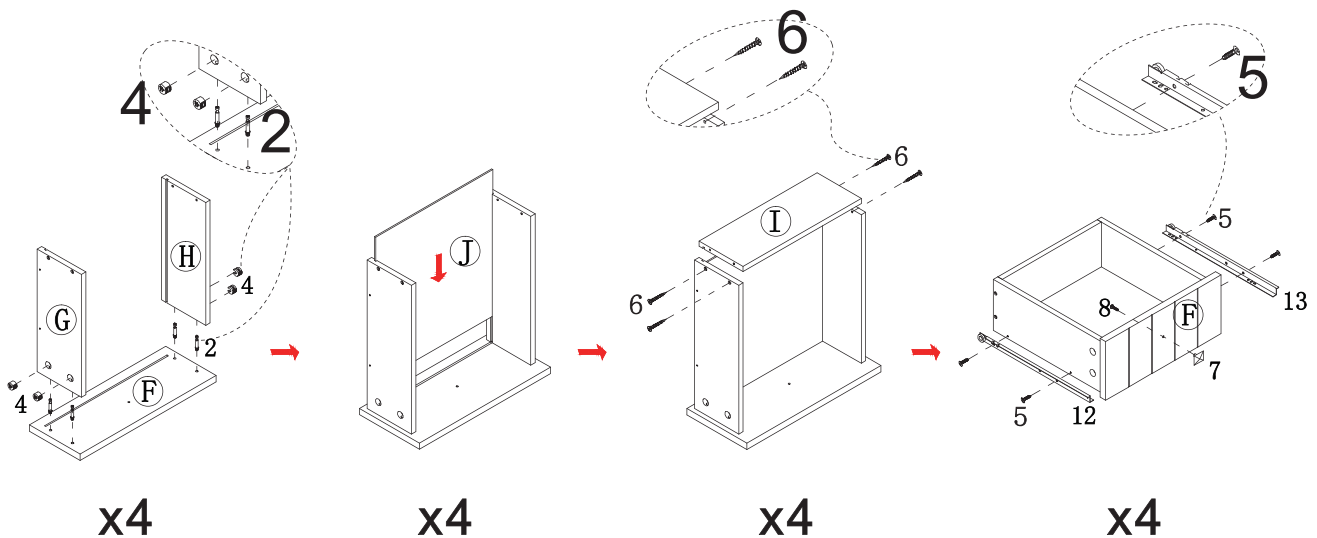
STEP 5



Assembling the Back Panel

1. Attach the back panel (K) to pre-assembled cabinet by inserting fourteen screws (9) through the holes on back panel (K) and tighten.

STEP 6

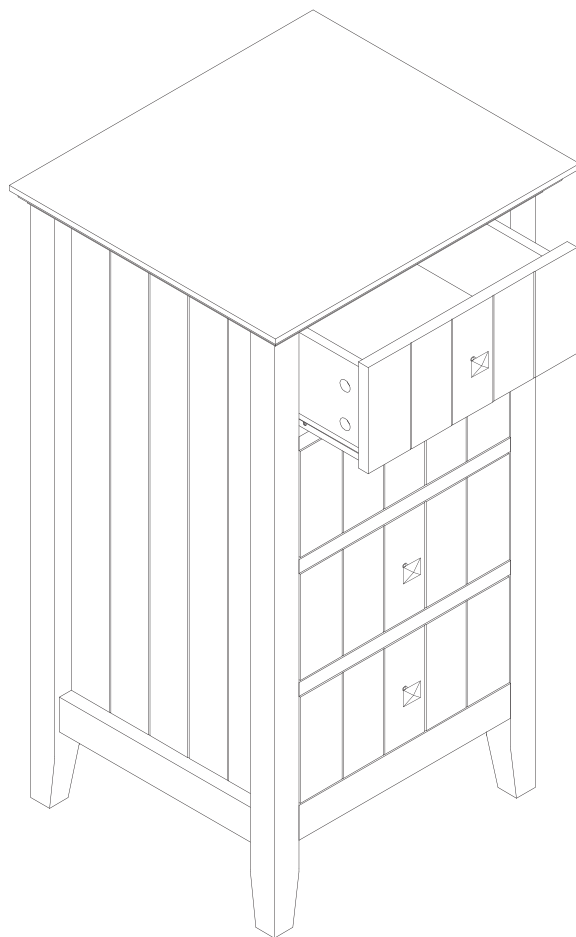


Assembling the Drawers

1. Lay down the drawer front panel (F) and screw four cam bolts (2) into the pre-drilled holes using a Phillips screwdriver.
2. Attach drawer left side panel (G) and drawer right side panel (H) to drawer front panel (F).
3. Insert four cam locks (4) into cam lock holes on drawer left side panel (G) and drawer right side panel (H) and rotate clockwise to secure cam bolts in place using a Phillips screwdriver.
4. Slide drawer bottom panel (J) into grooves on drawer left side panel (G) and right side panel (H).
5. Attach drawer back panel (I) to drawer left side panel (G) and right side panel (H) by inserting four screws (6) through holes on left side panel (G) and right side panel (H) using a Phillips screwdriver.
6. Attach the handles (7) to drawer front panel (F) by inserting one screw (8) through holes on drawer front panel (F) and tighten using a Phillips screwdriver.
7. Attach left drawer glides (12) and right drawer glides (13) to the bottom of drawer by inserting four screws (5) through holes on drawer glides, then tighten into drawer left side panel (G) and drawer right side panel (H) by using a Phillips screwdriver.

ASSEMBLY

STEP 7



1. Insert drawers into cabinet by inserting drawer glides into drawer slides already assembled to the cabinet.

WARRANTY

Thank you for purchasing a product. These products have been made to demanding, high-quality standards and are guaranteed for domestic use against manufacturing faults for a period of 12 months from the date of purchase. This warranty does not affect your statutory rights.

In case of any malfunction of your product (failure, missing parts, etc.) please contact us at our toll free service line or by email

We reserve the right to repair or replace the defective product, at its discretion.

This product is guaranteed for 12 months if used for normal purposes. Any warranty is invalid if the product has been overloaded or subject to neglect, improper use or an attempted repair by other than an authorized agent. Heavy-duty or daily professional/commercial usage are not guaranteed.

Due to continuous product improvement, we reserve the right to change the product specifications without prior notice.