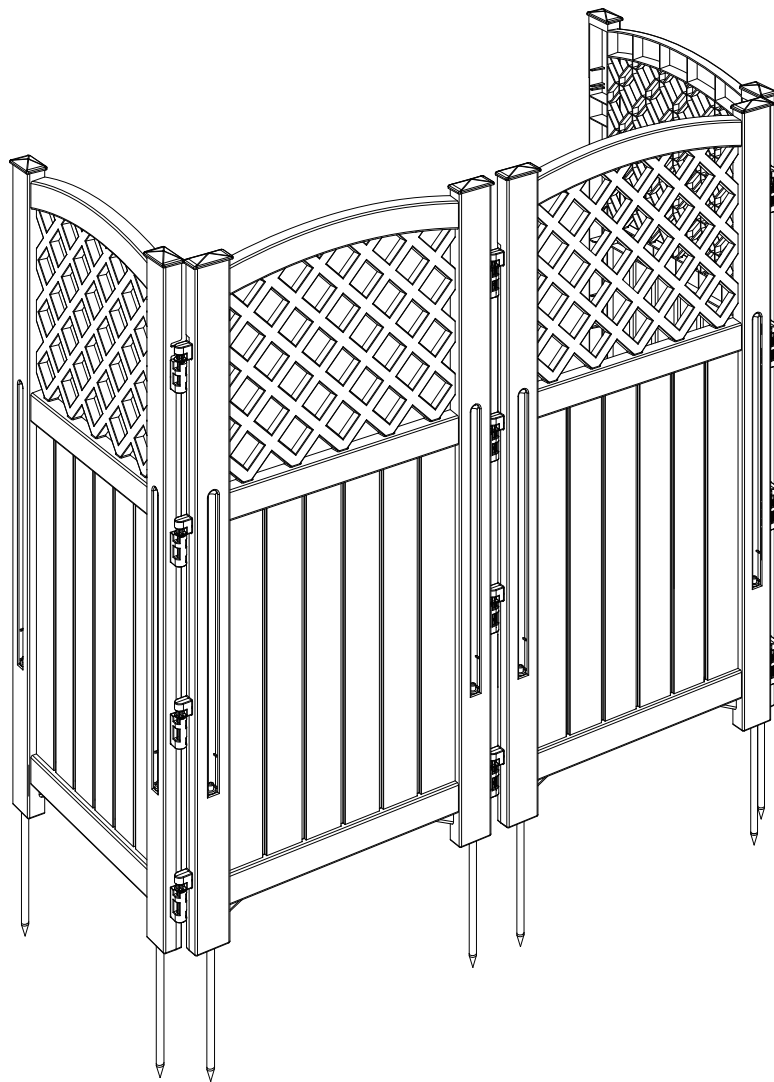


# ASSEMBLY INSTRUCTIONS

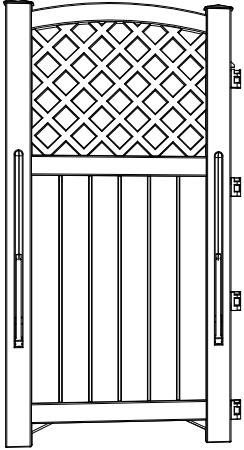
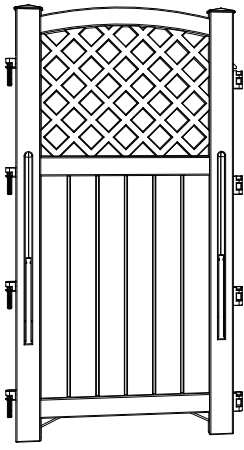
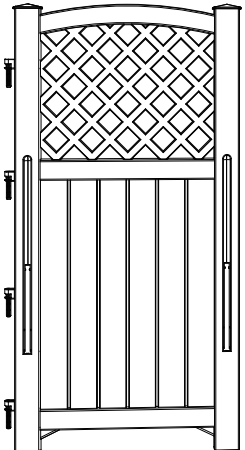
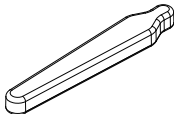

## ■ 1-Piece

Outdoor Screen



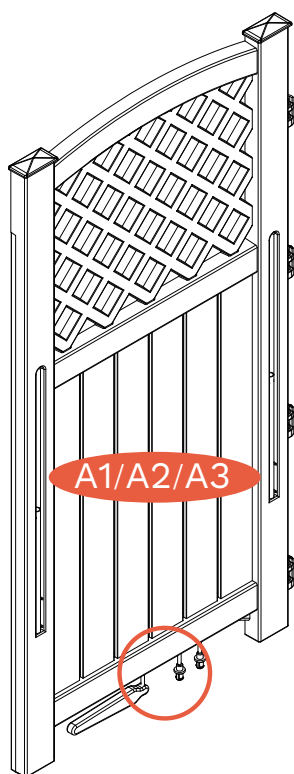
# Parts

Check and make sure you get the components on the list, contact us for any missing.

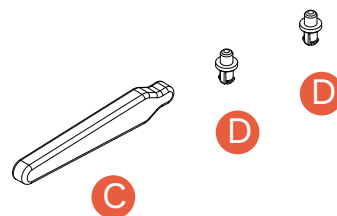
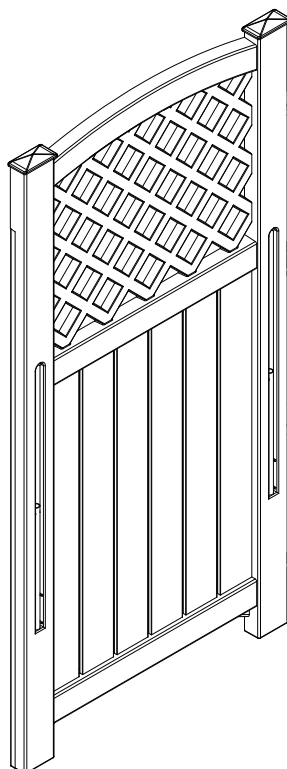
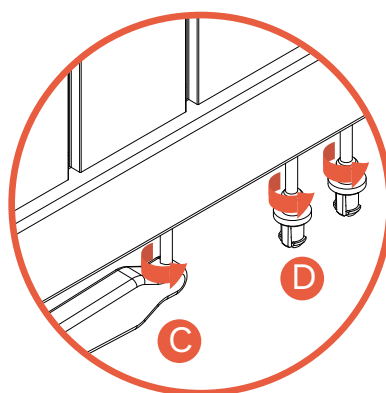
A1		X1	A2		X2
A3		X1	C		X4
			D		X8

# Assembly steps

## Step 1



**Note:** Before mounting, rotate the C and D fittings off of A1, A2, and A3 (The residual parts can be carefully disposed of with a spatula.)



# Assembly steps

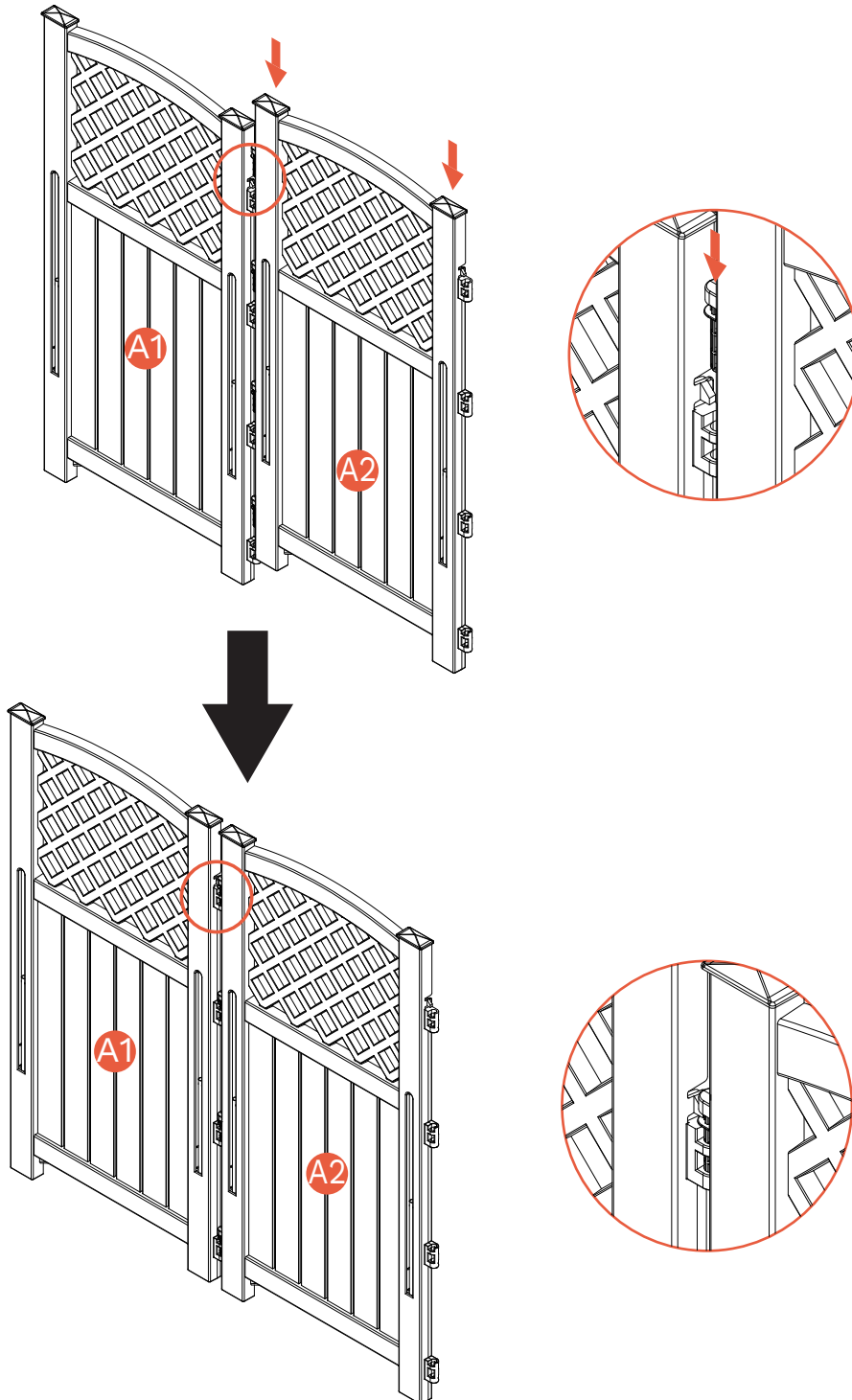
Step 2



A1 (X1)



A2 (X1)

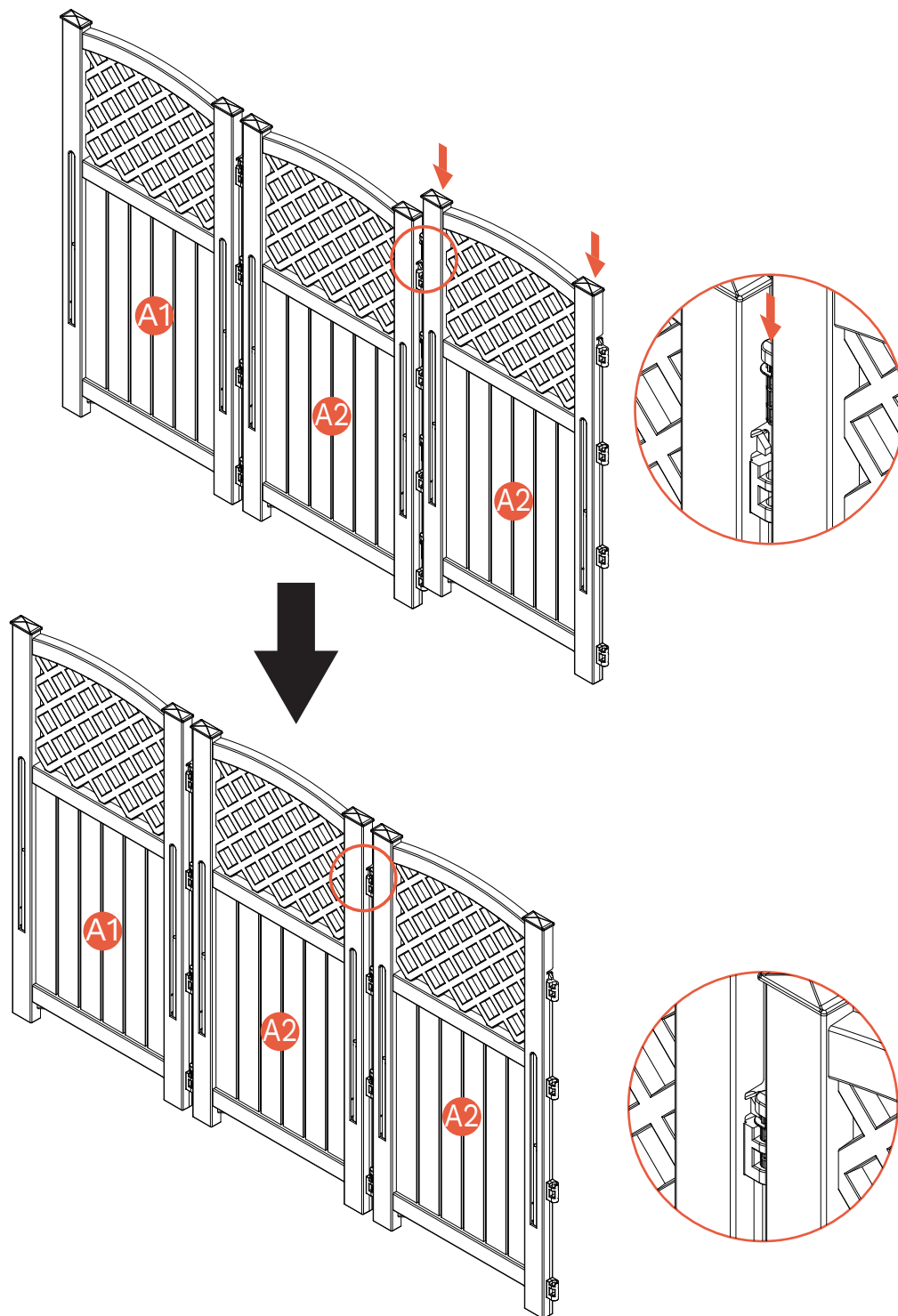


# Assembly steps

Step 3



A2 (X1)

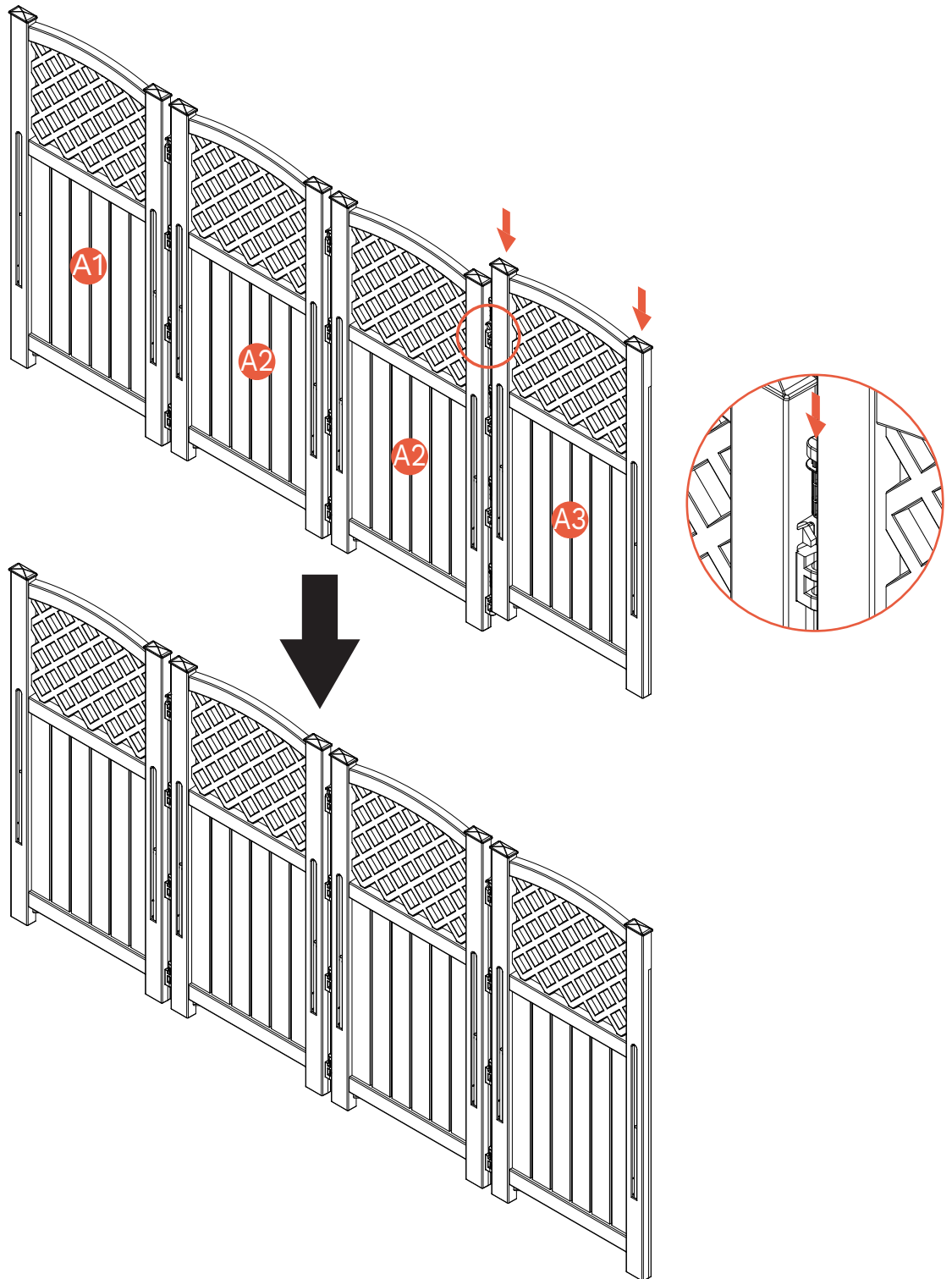


# Assembly steps

Step 4

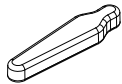


A3 (X1)



# Assembly steps

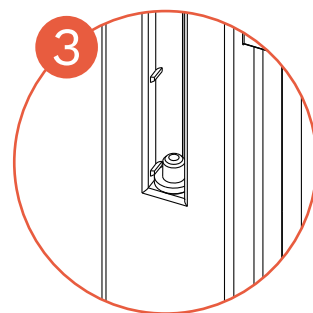
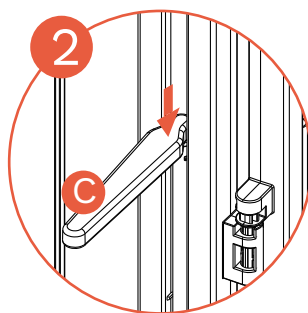
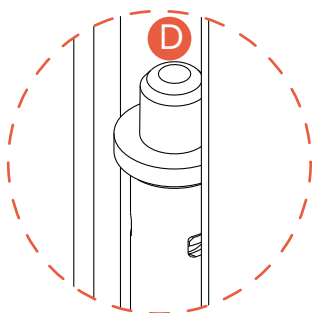
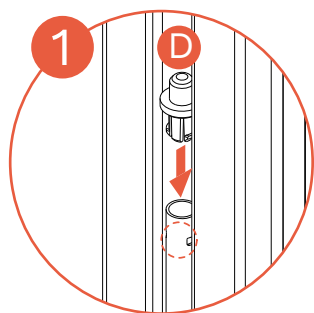
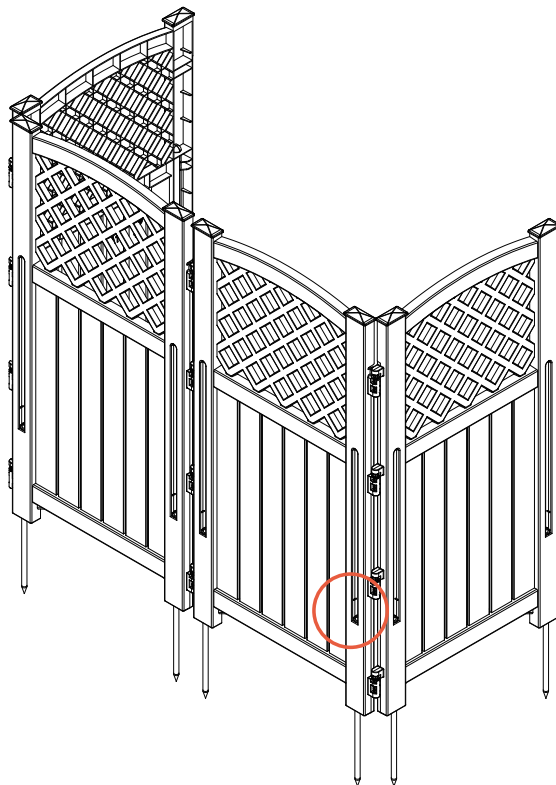
Step 5



C (X4)



D (X8)

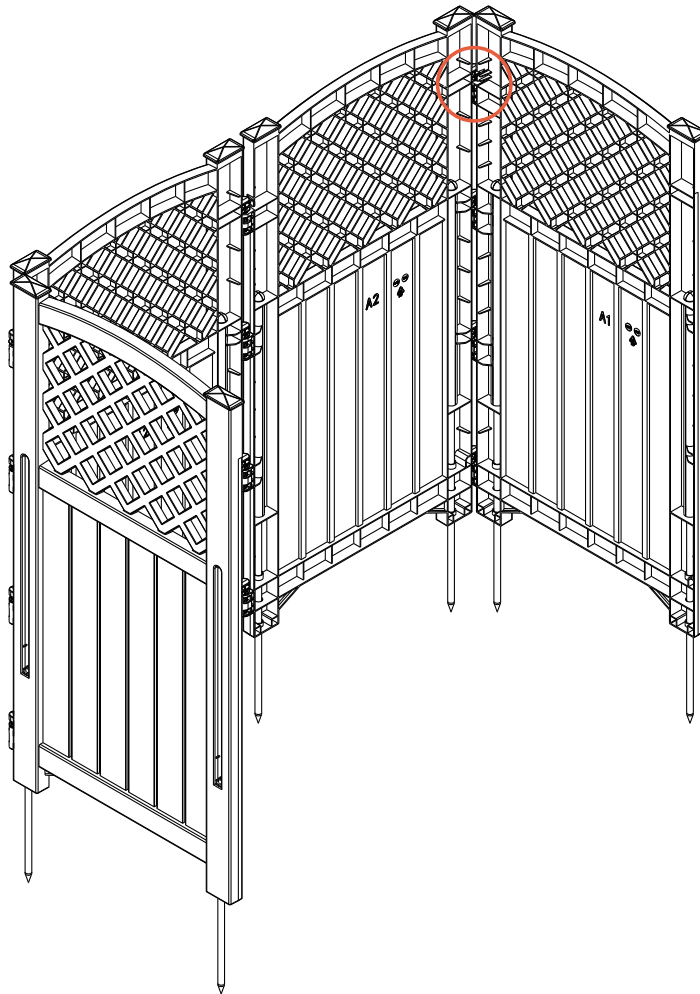
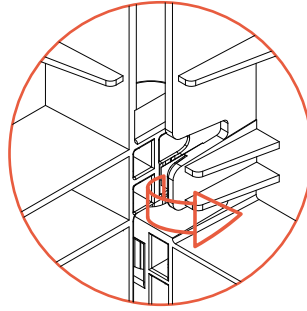


**Note:** Hold the end of C with one hand, and with the other hand take a hammer and strike vertically in the direction of the arrow.

# Assembly steps

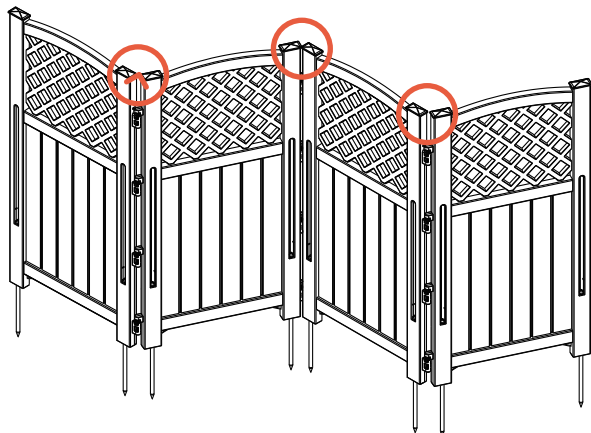
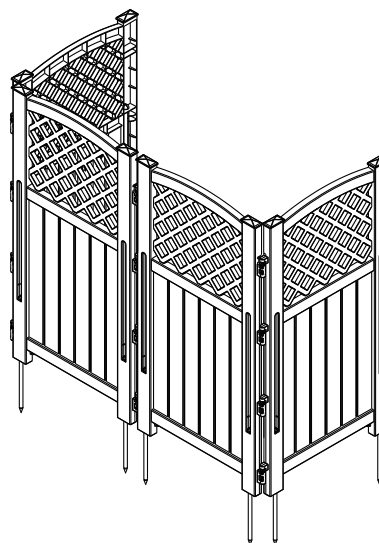
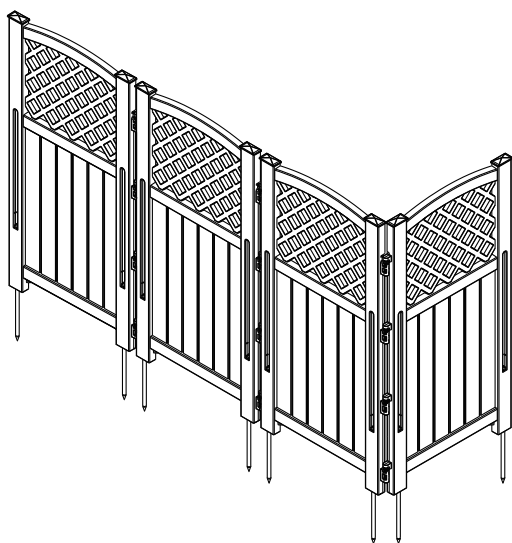
## Step 6

**Note:** Bend this section outwards if you want to remove the screen.



# Assembly steps

## Step 7



**Note:** The folding angle between the two screens should not exceed 70° outward and 110° inward.