

INSTRUCTION MANUAL

Patio Pergola F10

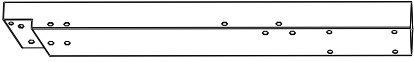
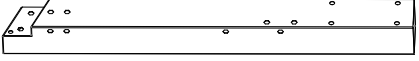
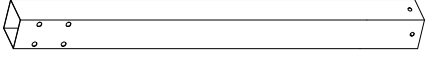
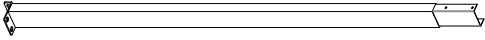
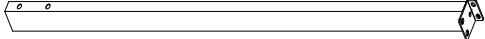



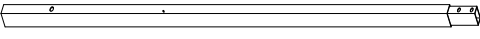
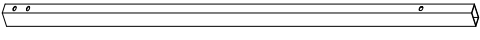






IF YOU PURCHASED THE PERGOLA ONLINE AND HAVE ANY
QUESTIONS OR CONCERNS


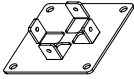


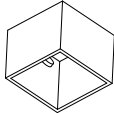
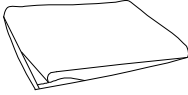
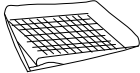
PLEASE CONTACT US WITH EMAIL

Email:hiwarrantyservice@outlook.com

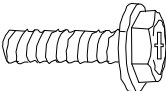
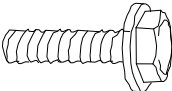
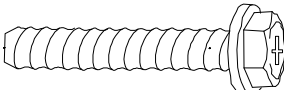
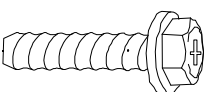
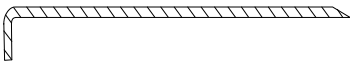
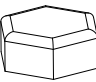
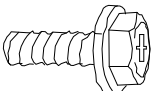


TEXT:+1 628-263-4608

Part List


Description	Label	Qty	Part Image
Upper post 1	A1	2	
Upper post 2	A2	2	
Lower Post	A3	4	
Beam long side	B1	2	
Beam Short side	B2	2	
Long arc beam	C1	2	
Short arc beam	C2	2	
Arc beam connector	C3	2	
Top beam long side	D1	5	
Top beam short edge	D2	5	
Straight edge diagonal support	E	4	
Arc edge oblique support	F	4	
Decorative head	G	4	
Long tube wear cloth	M1	2	
Short tube wear cloth	M2	2	
Mosquito net bar	N	4	

Base Cover	O	4	
Post Base	P	4	
Post connecting piece	R	8	
Beam card set	S	2	
decoration on post	T	4	
Canopy	W	1	
abat vent	V1	2	


Hardware Pack

Lable	Description	Qty	Add	Partlimage
AA	Hexagon cross bolt M6*15	66	4	
BB	Bolt M6*15	64	4	
CC	Hexagon cross bolt M6*45	50	4	
DD	Hexagon cross bolt M6*25	4	1	
FF	Stake D6*230	8		
HH	The plastic cap	64	6	
JJ	Hexagon cross bolt M6*10	4	1	
Z1	Wrench M6	2		
TT	Plastic Ring	24	2	


<1>



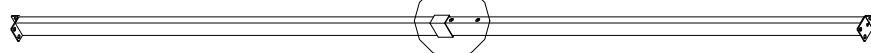
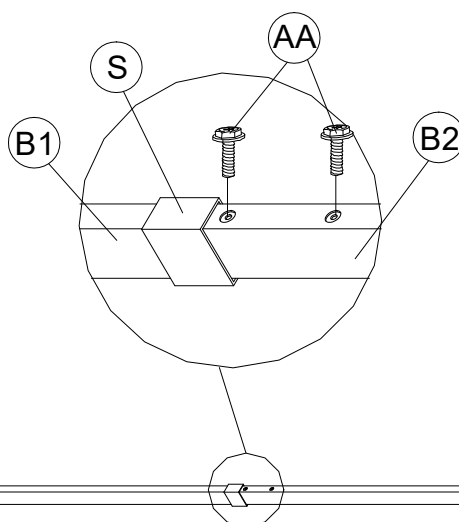
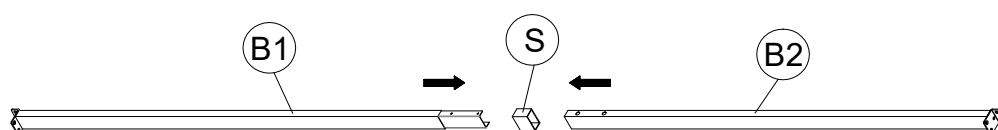
(B1) 2x



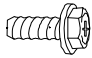
(B2) 2x



(S) 2x




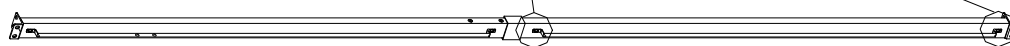
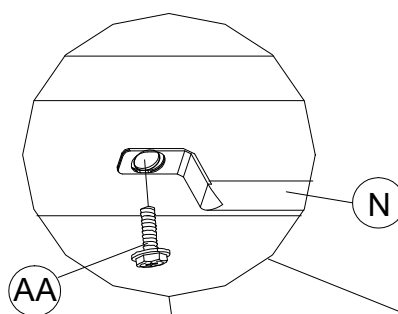
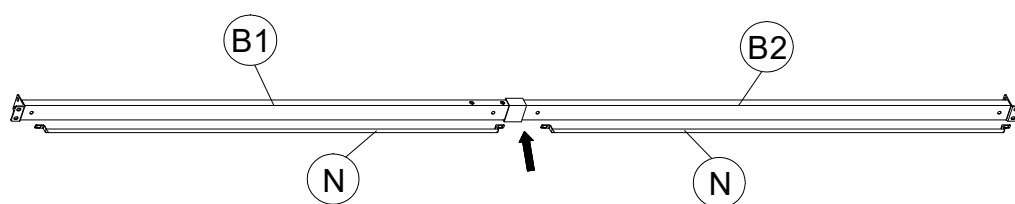
1



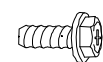
(AA) 4x

M6x15

<2>

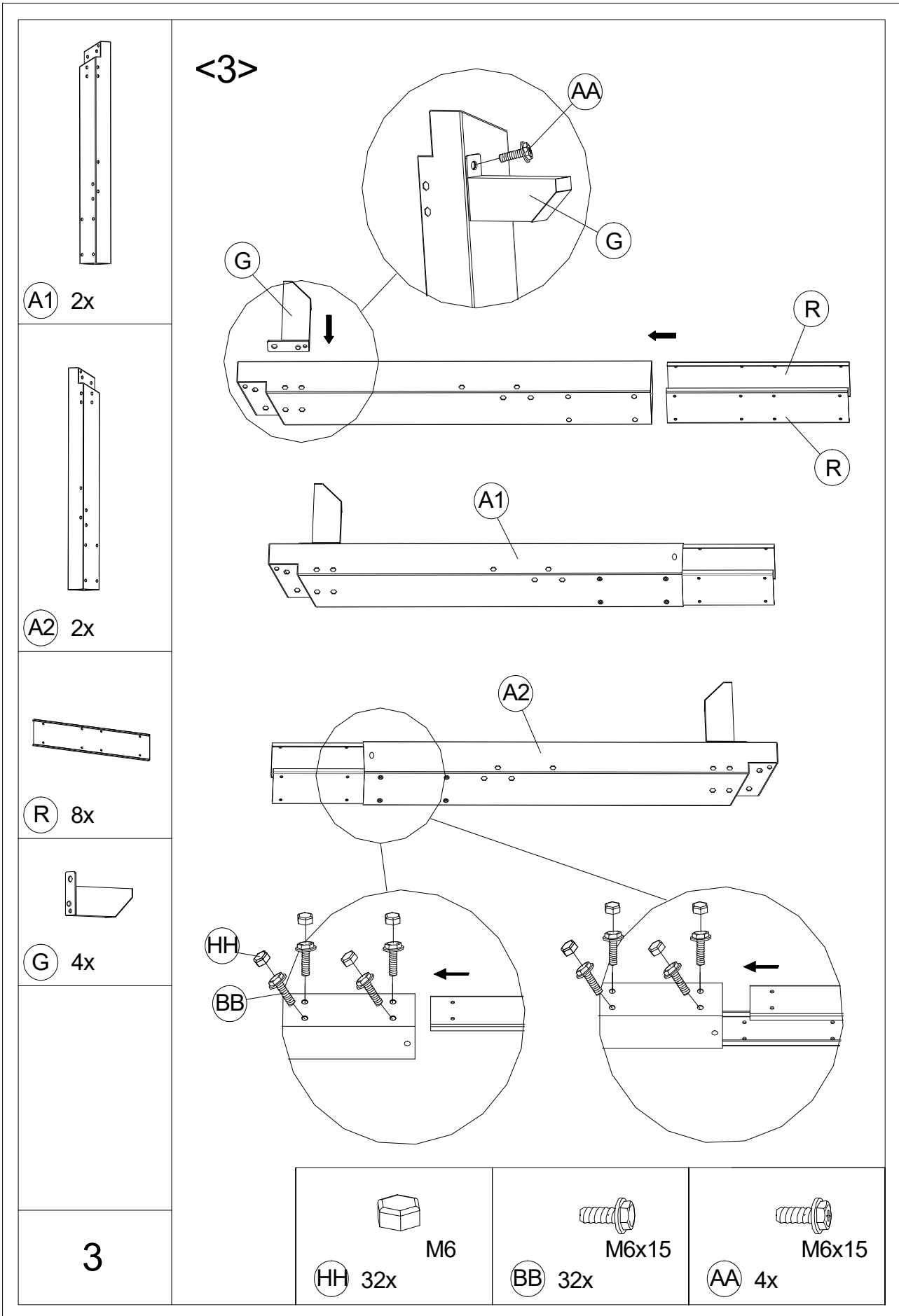

(N) 4x

2



M6x15

(AA) 8x



A1 2x

A2 2x

R 8x

G 4x

3

HH 32x

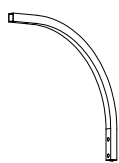
M6

BB 32x

M6x15

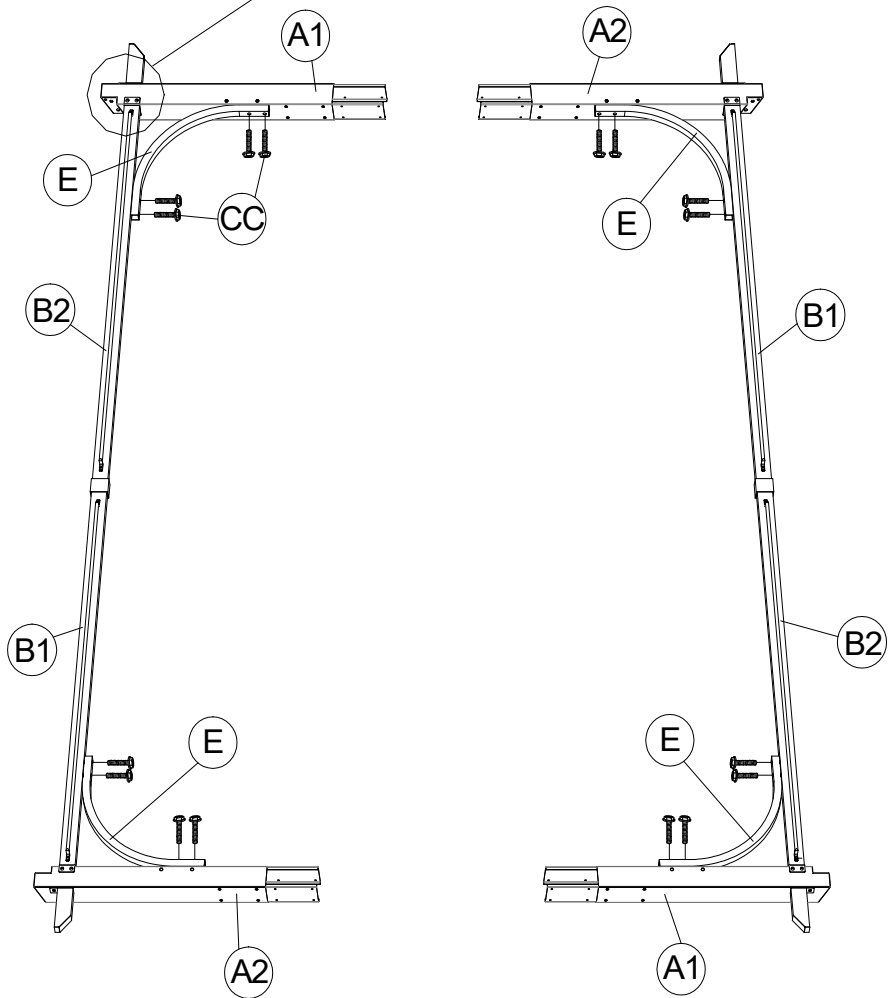
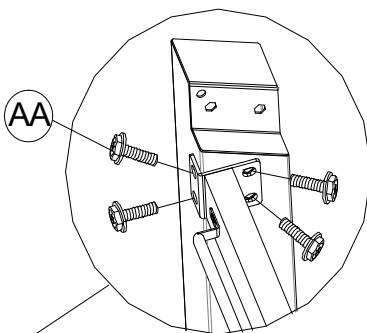
AA 4x

M6x15

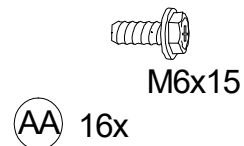
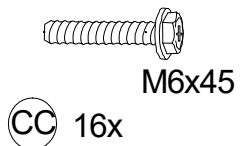


E 4x

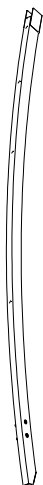
<4>



4



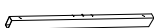
<5>



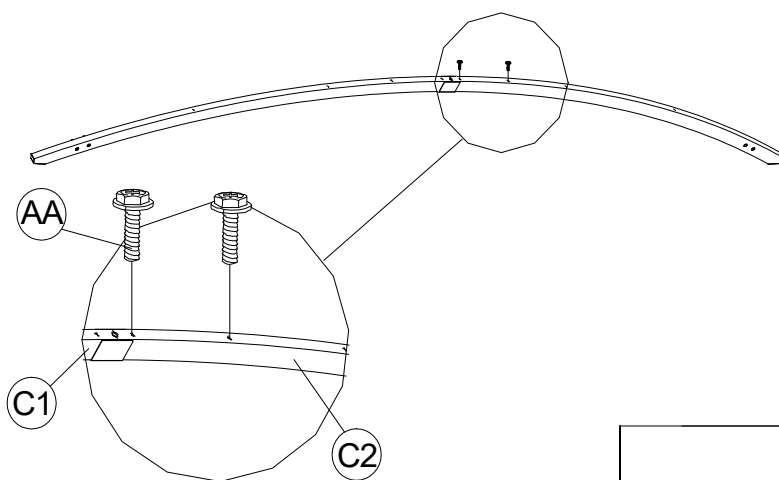
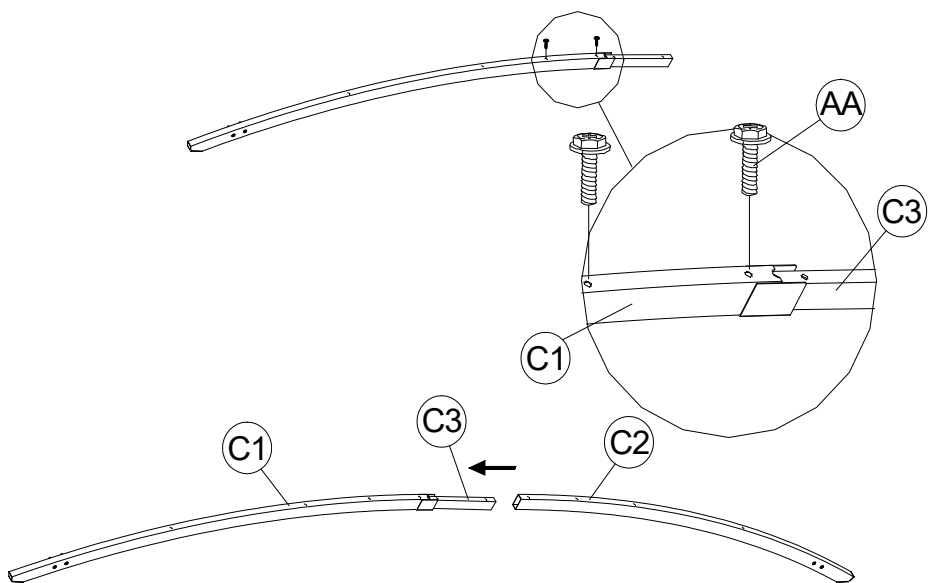
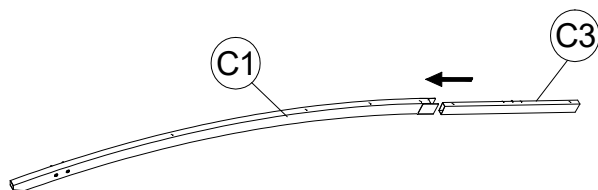
C1 2x



C2 2x



C3 2x



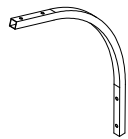
5



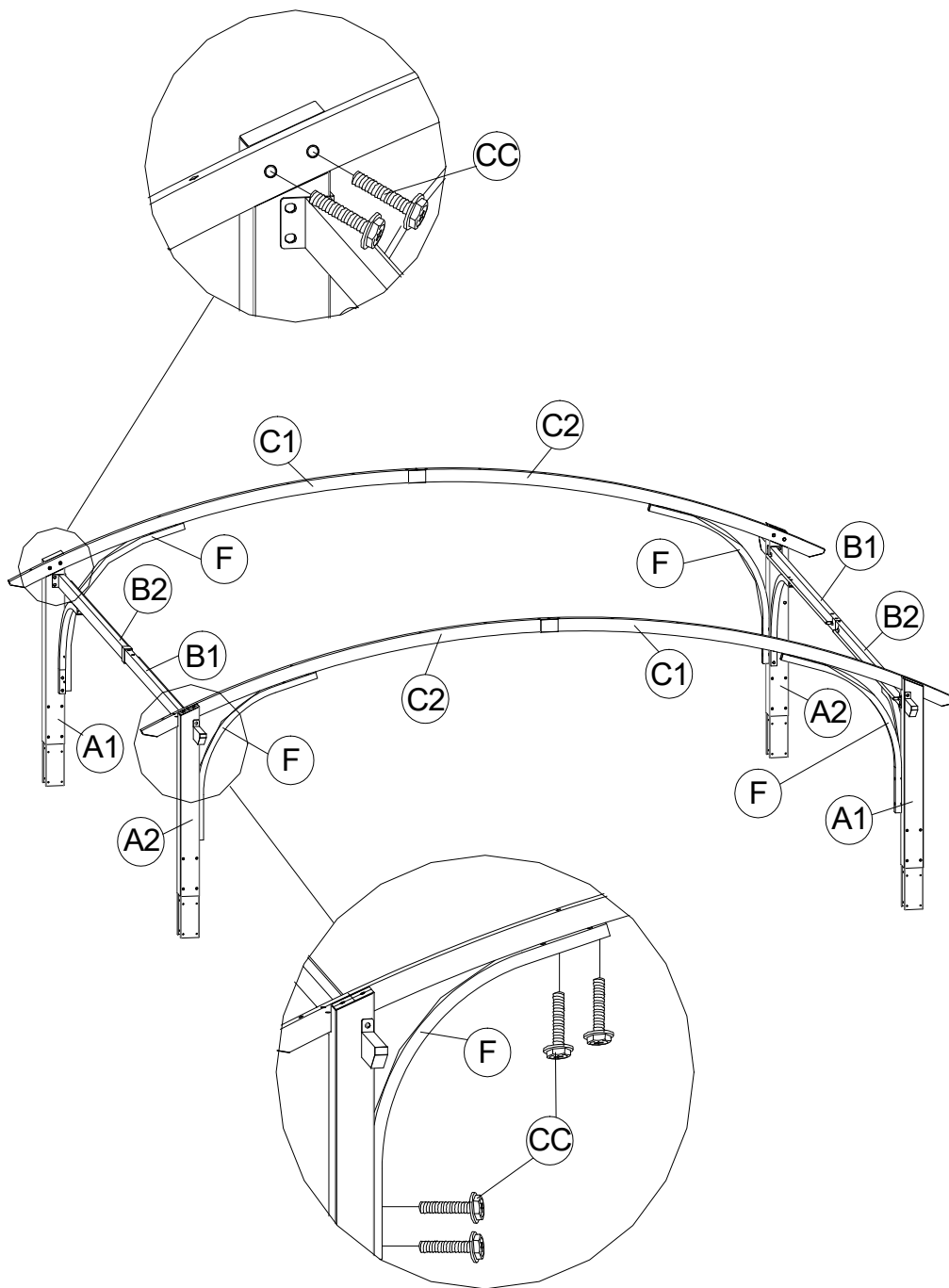
M6x15

AA 8x

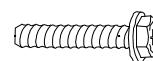
<6>



F 4x



6



M6x45

CC 24x

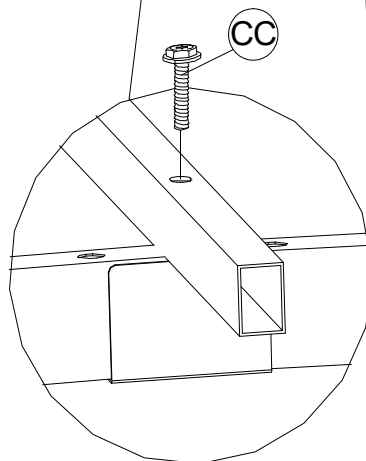
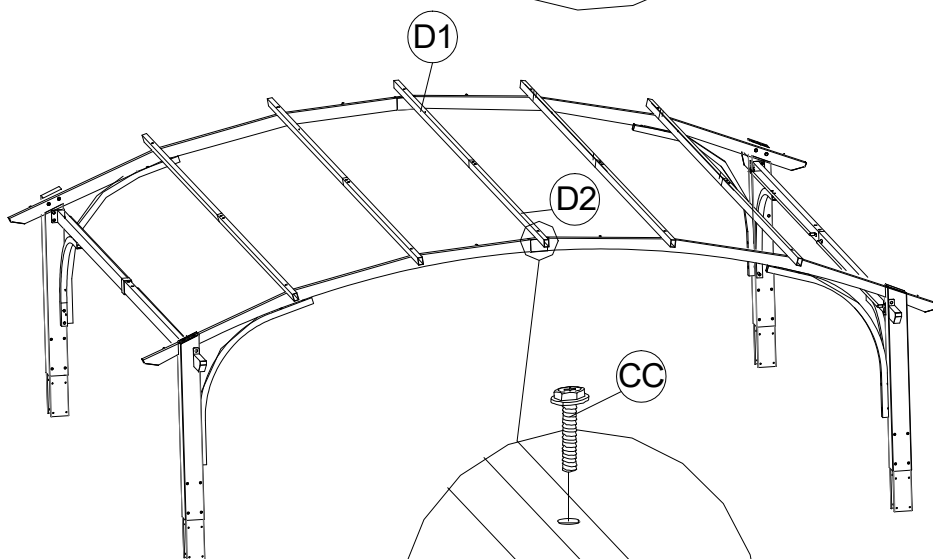
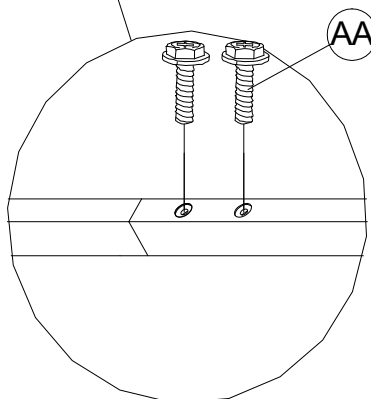
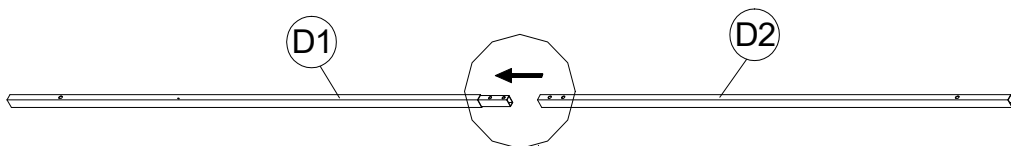
<7>



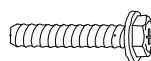
D1 5x



D2 5x



7



M6x45

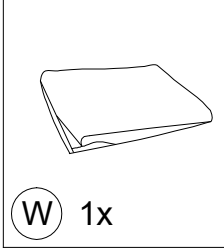
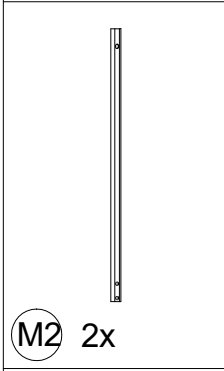
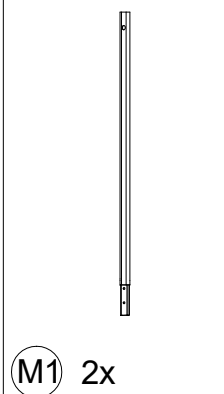
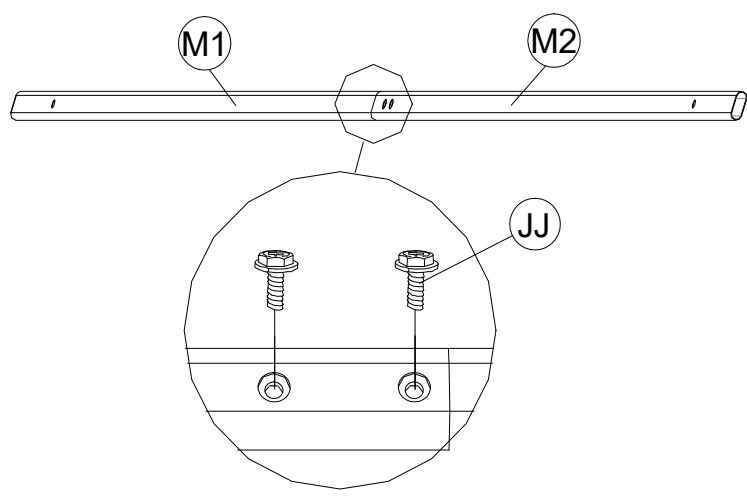
CC 10x



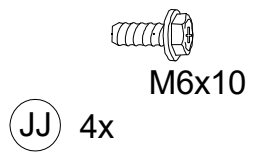
M6x15

AA 10x

<8>

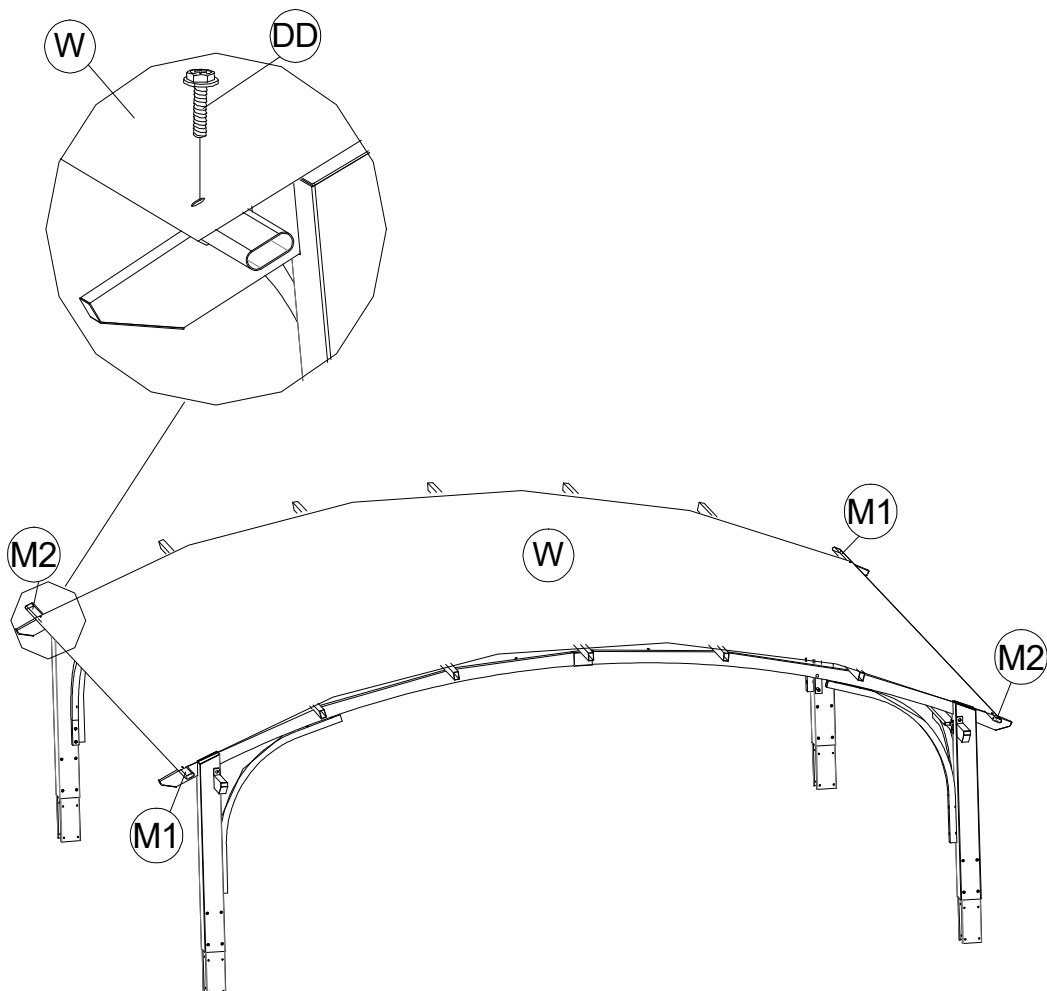


After the tubes are assembled, they are run in from both ends of the cloth.



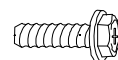
8

<9>



9

Unroll the cloth, flatten it and tighten
the screws at both ends.



M6x25

DD 4x

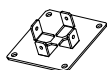
<10>



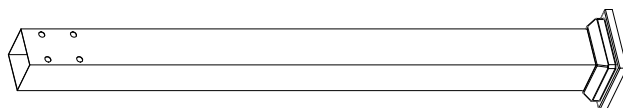
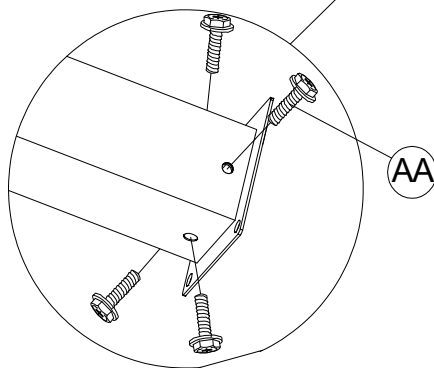
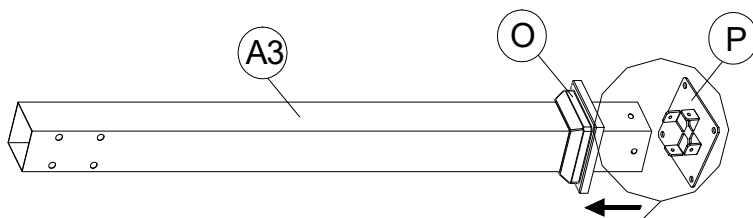
A3 4x



O 4x



P 4x



10



M6x15

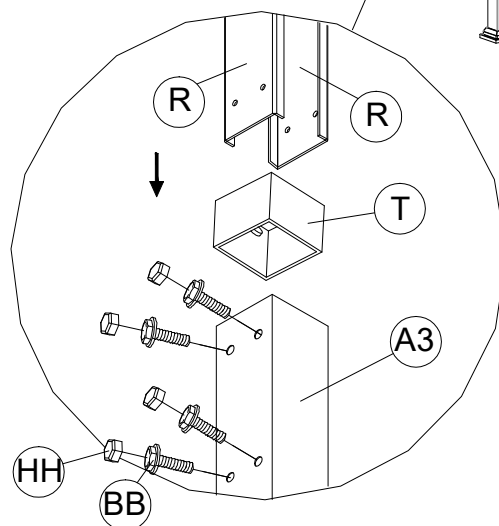
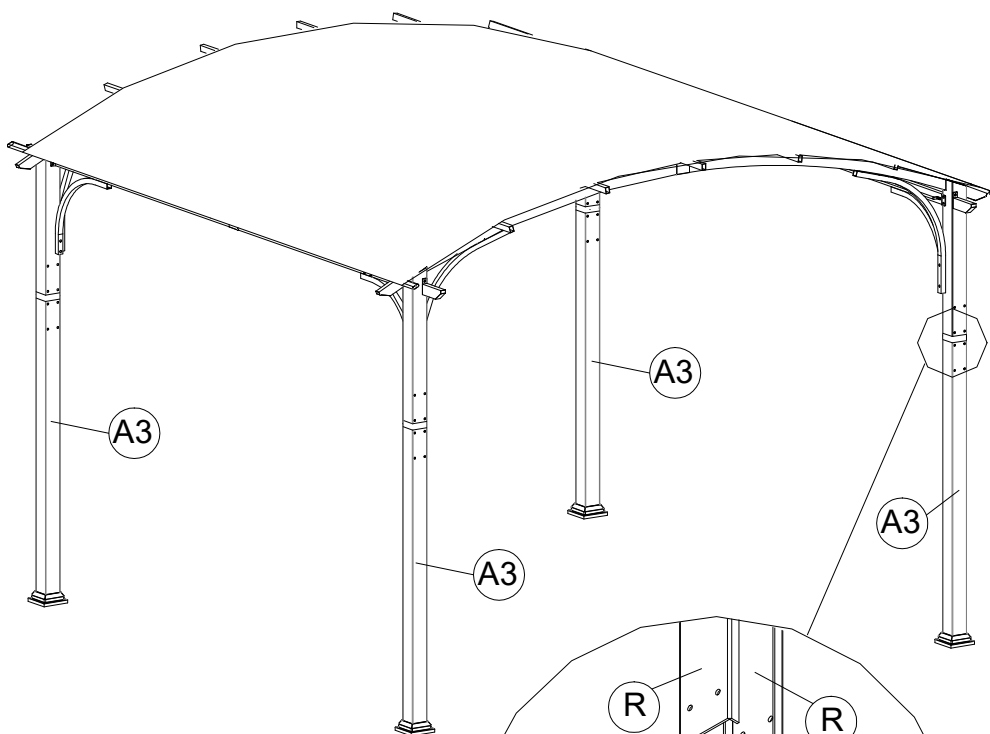
AA 16x

<11>

Column assembly requires 3-4
people to help keep it smooth.



T 4x



11



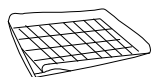
M6

HH 32x



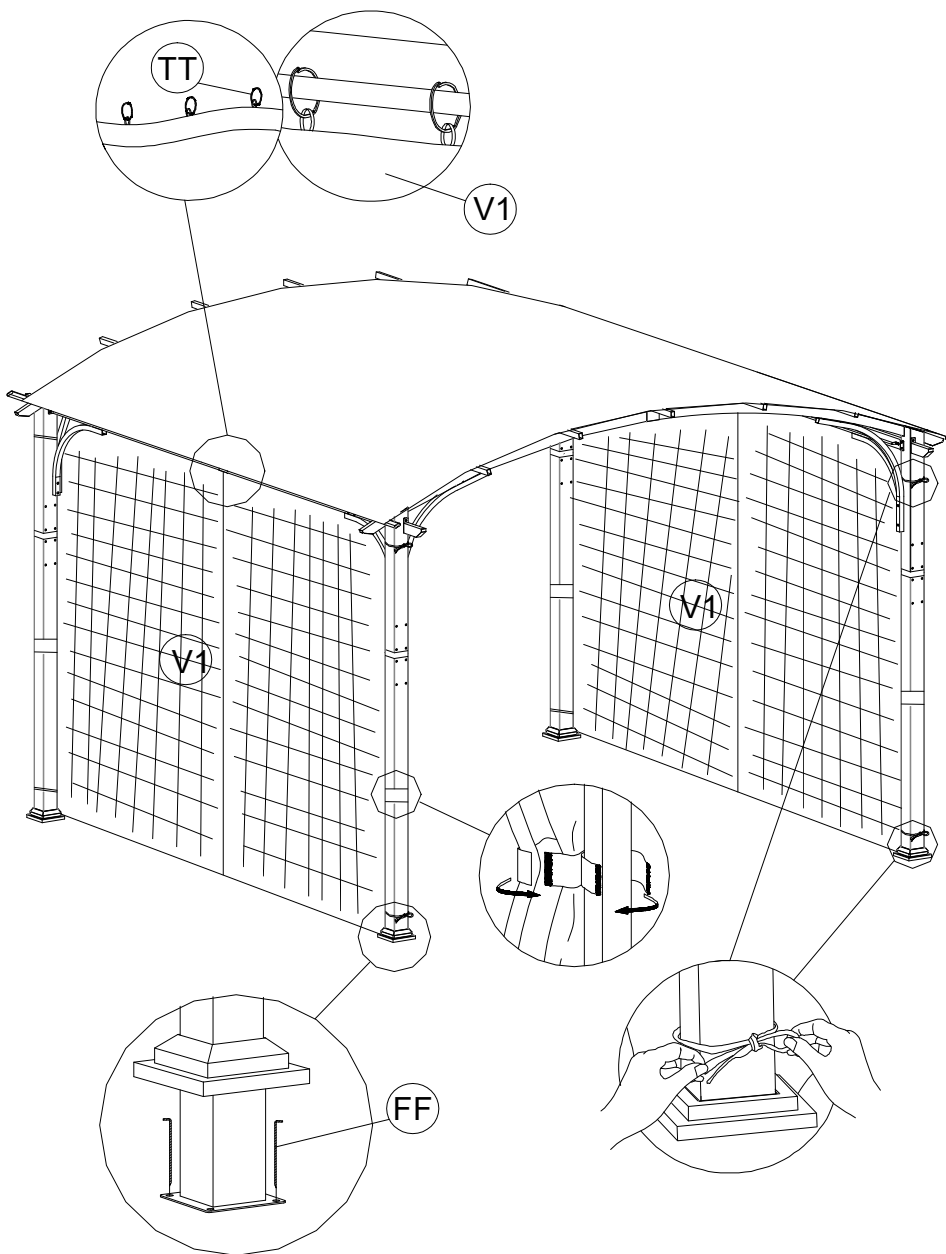
M6x15

BB 32x

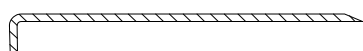


<12>

V1 2x



12



FF 8x

D6x230



TT 24x