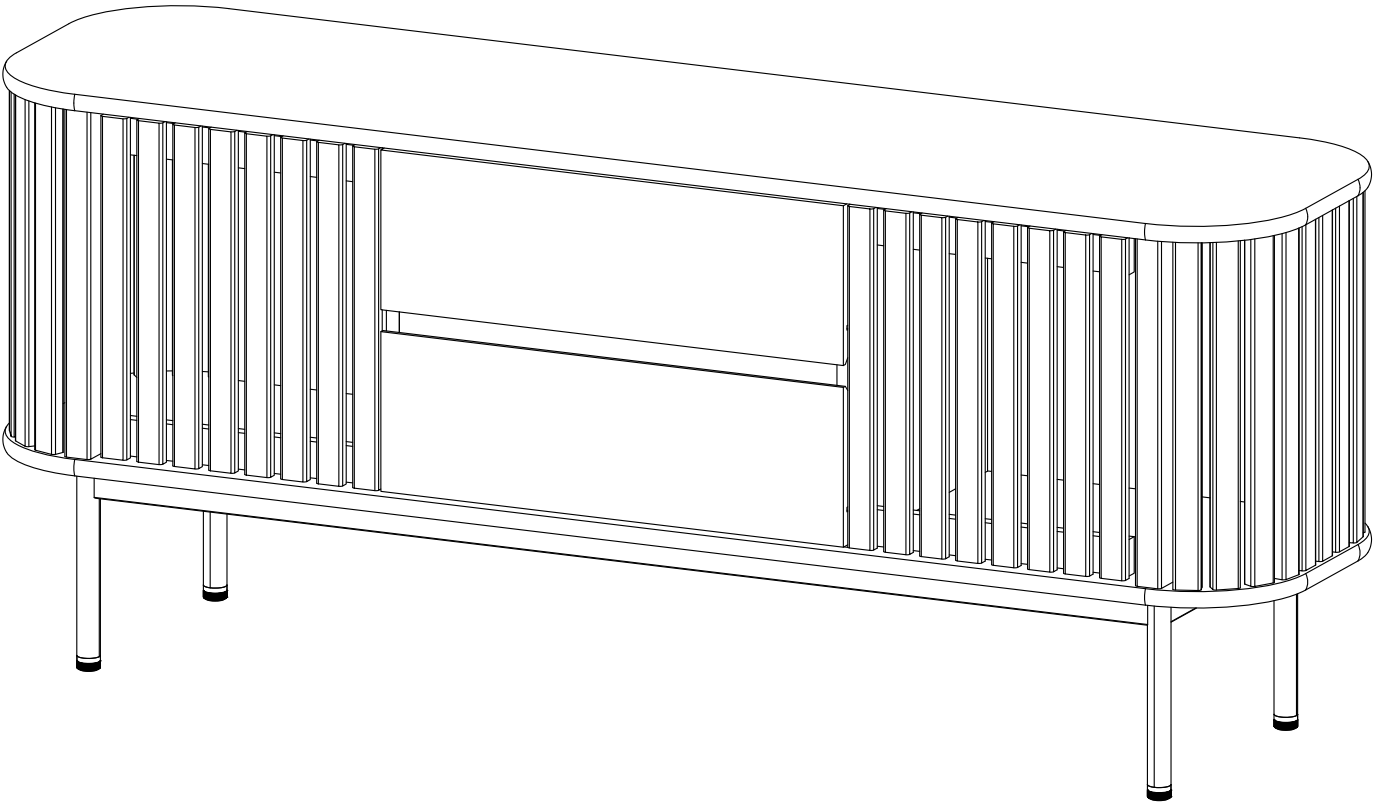
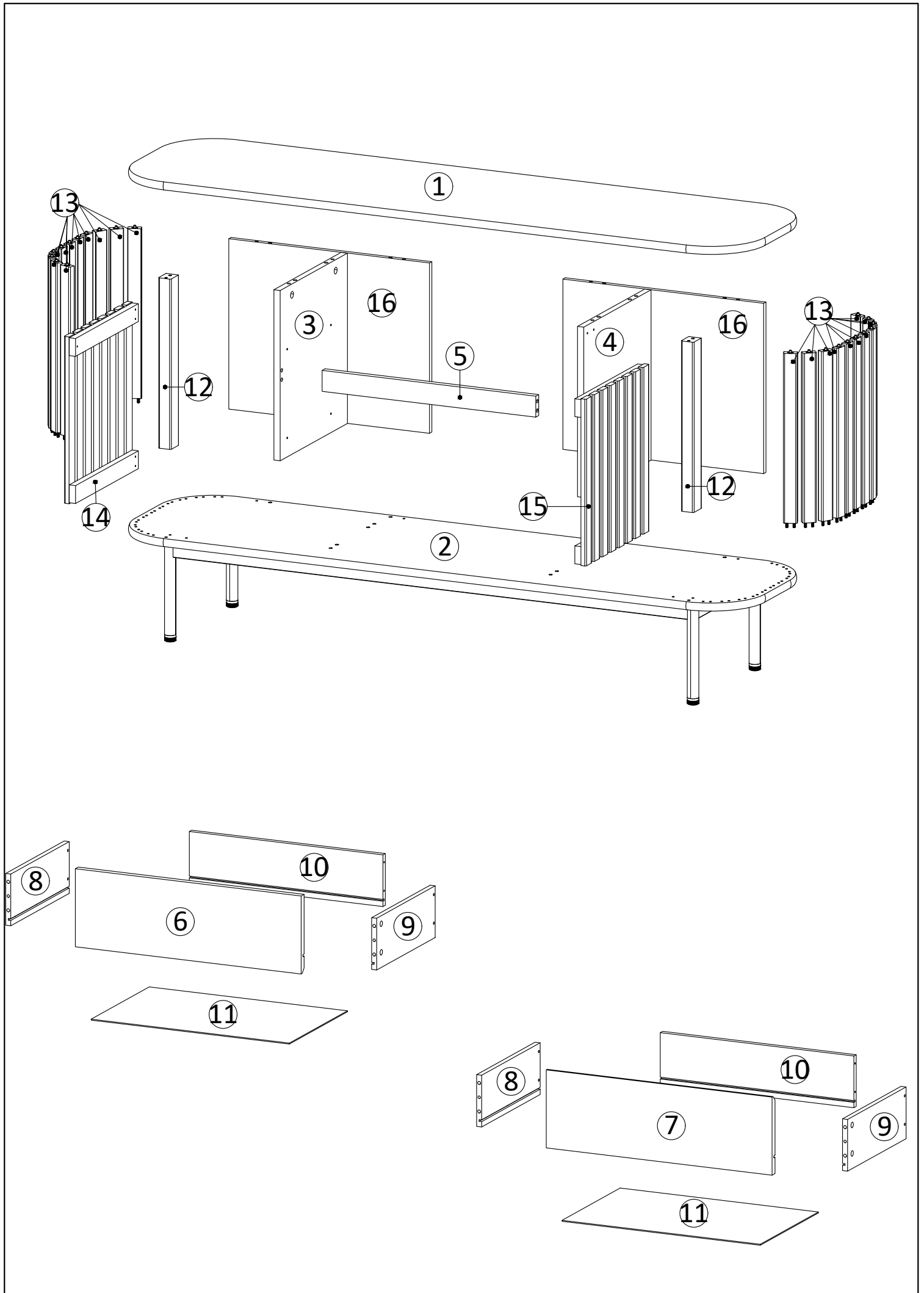
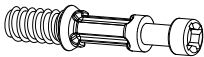
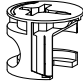



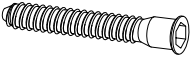


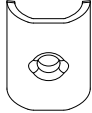
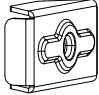



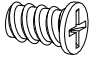



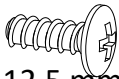
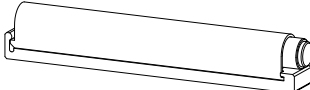
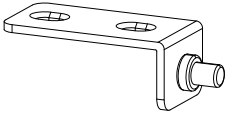
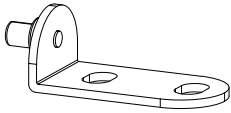
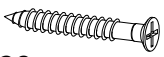
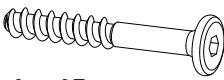


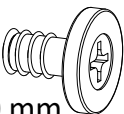
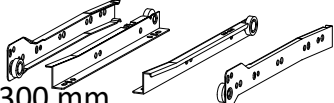



ASSEMBLY INSTRUCTION





Hardware

<p>A x 24</p>  <p>∅ 6 x 35 mm</p>	<p>B x 8</p>  <p>∅ 15 mm</p>	<p>C x 16</p>  <p>∅ 12 mm</p>	<p>D x 12</p>  <p>∅ 8 x 30 mm</p>
<p>E x 16</p>  <p>∅ 6 x 30 mm</p>	<p>F x 4</p>  <p>M 7 x 50 mm</p>	<p>G x 2</p>  <p>L 4</p>	<p>H x 4</p>  <p>M 6 x 40 mm</p>
<p>I x 4</p> 	<p>J x 4</p> 	<p>K x 4</p> 	<p>L x 2</p> 
<p>M x 2</p> 	<p>N x 22</p>  <p>M 6 x 10.5 mm</p>	<p>O x 16</p>  <p>M 3.5 x 13 mm</p>	<p>P x 8</p> 
<p>Q x 8</p>  <p>M 3.5 x 15.5 mm</p>	<p>R x 8</p>  <p>M 4.5 x 12.5 mm</p>	<p>S x 2</p> 	<p>T x 2</p> 
<p>U x 2</p> 	<p>V x 8</p>  <p>M 8 x 39 mm</p>	<p>W x 14</p>  <p>M 6.4 x 45 mm</p>	<p>X x 2</p> 
<p>Y x 2</p> 	<p>Z x 2</p>  <p>M 12 x 10 mm</p>	<p>RM30A x 2</p>  <p>300 mm</p>	<p>US12 x 1</p> 



SET-UP TIME : 60 MINUTES



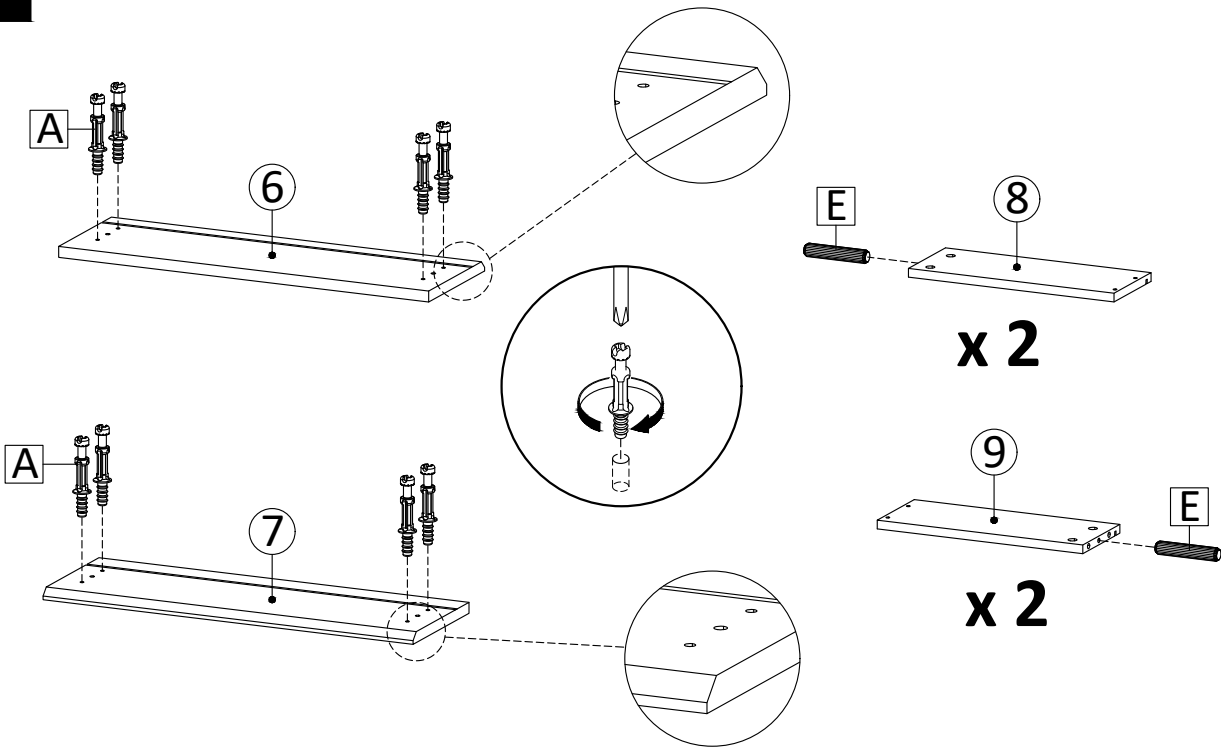
NUMBER OF PERSONS : 02

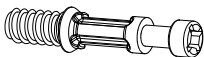



TOOLS :

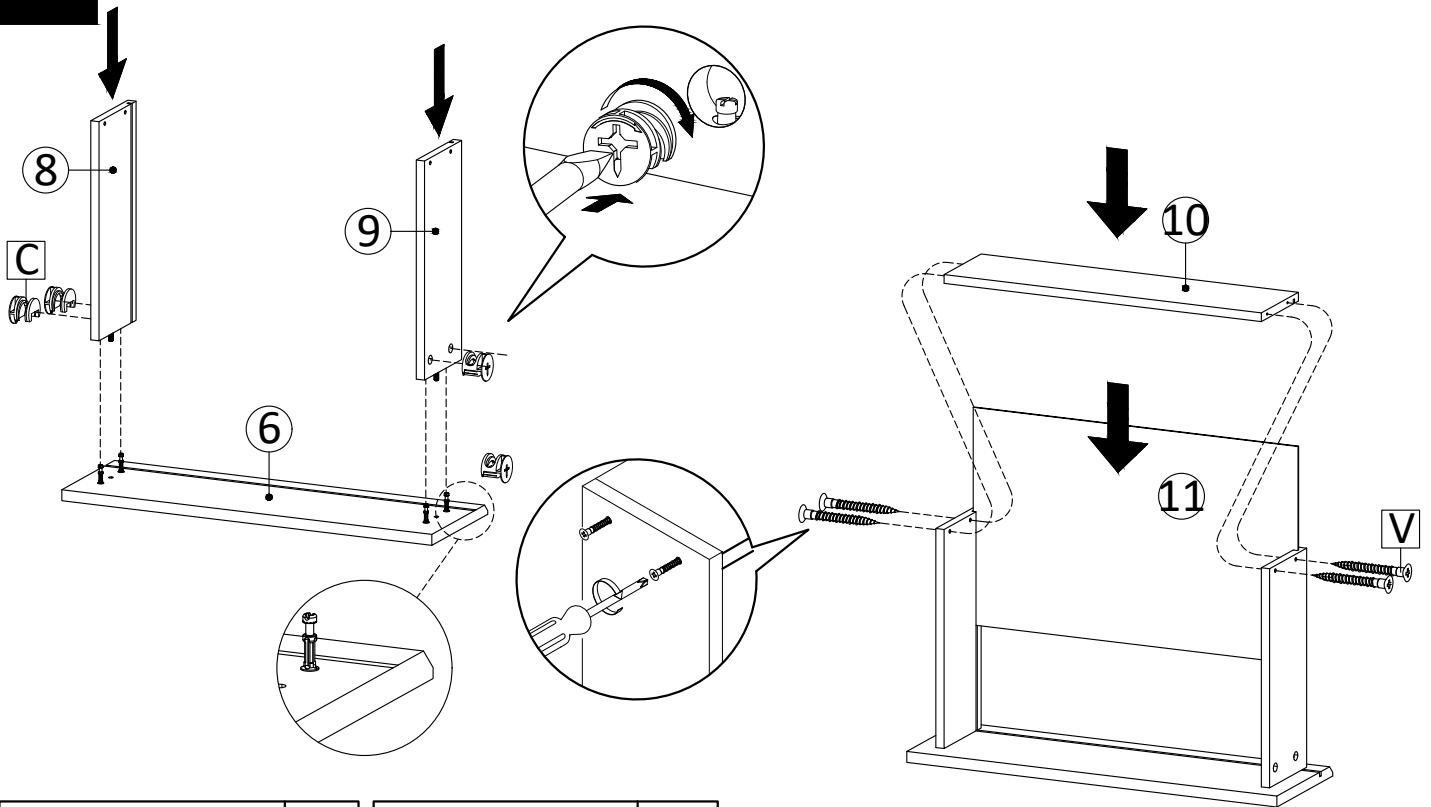



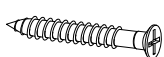
1

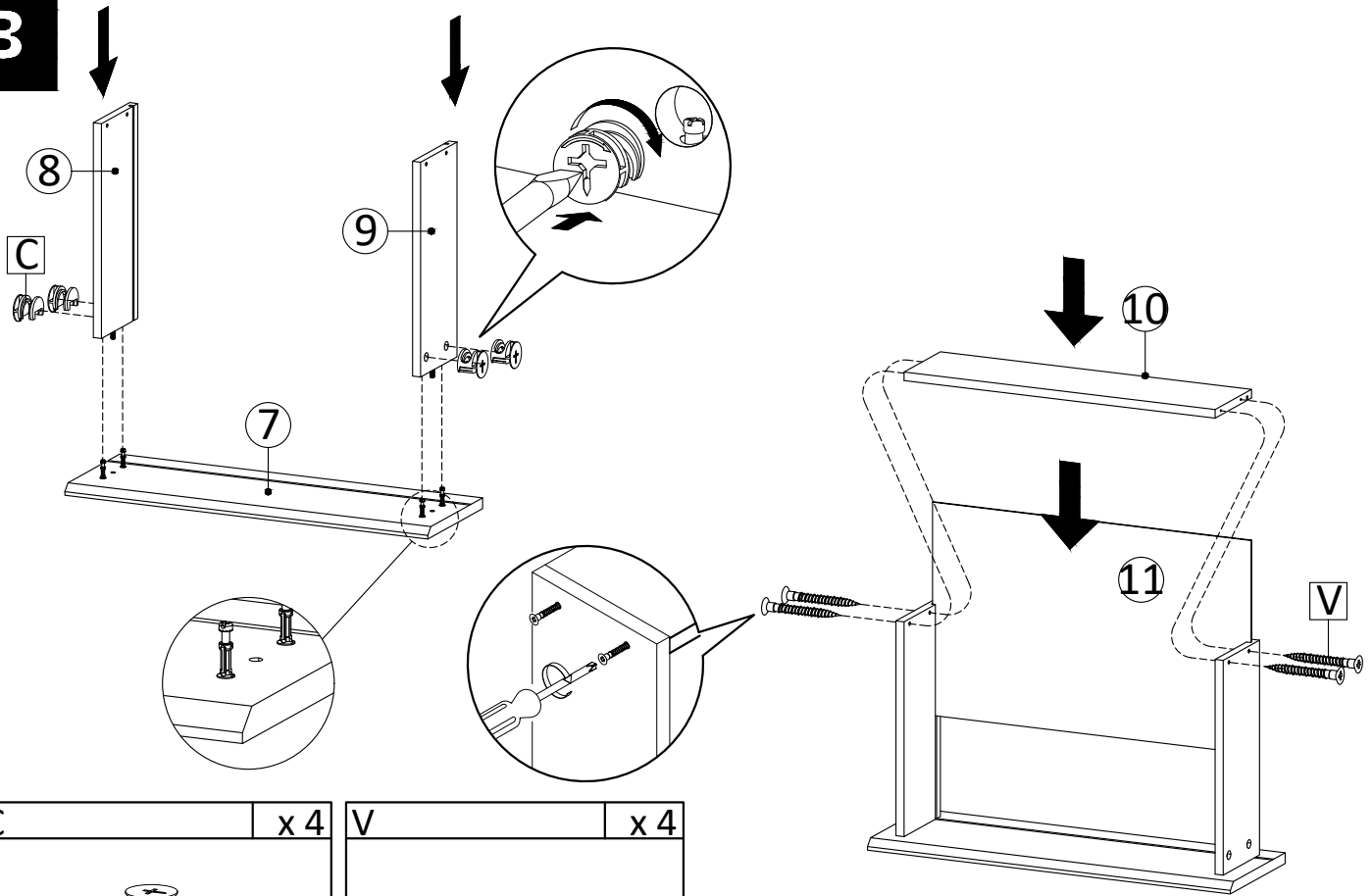


A	x 8	E	x 4
			
Ø 6 x 35 mm		Ø 6 x 30 mm	

2

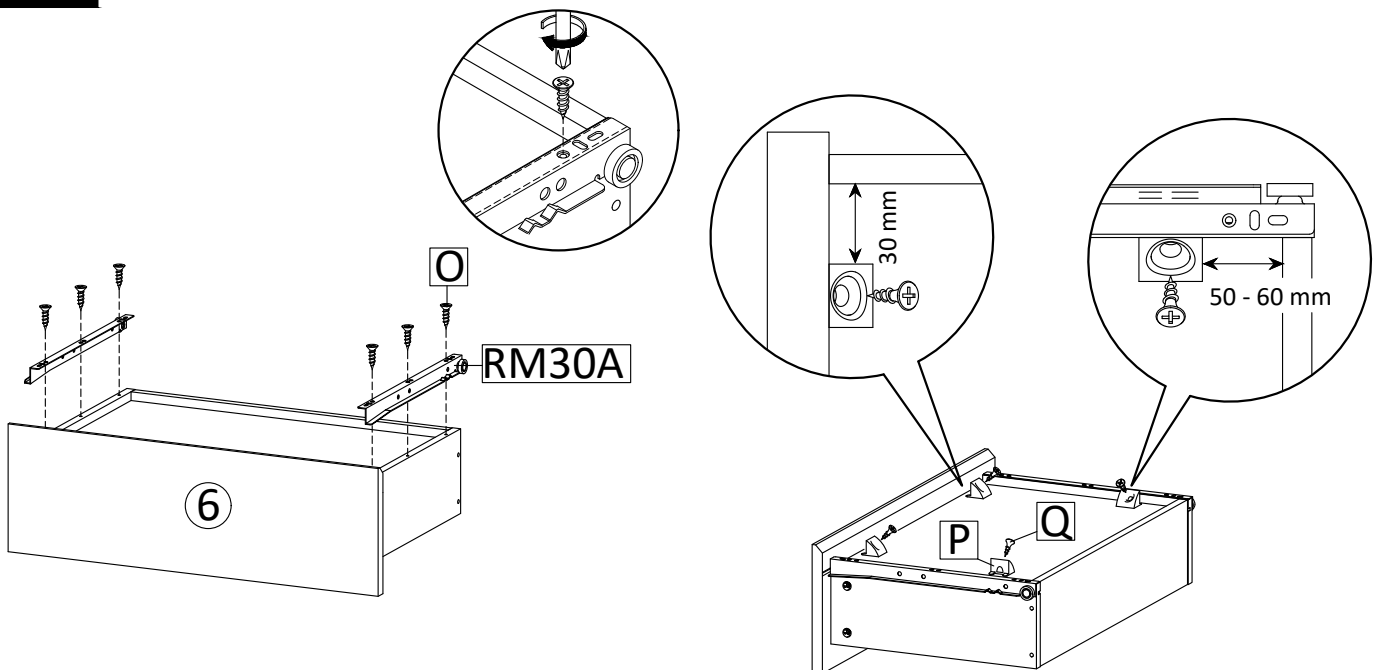


C	x 4	V	x 4
			
Ø 12 mm		M 8 x 39 mm	

3

C	x 4
Ø 12 mm	

V	x 4
M 8 x 39 mm	

4

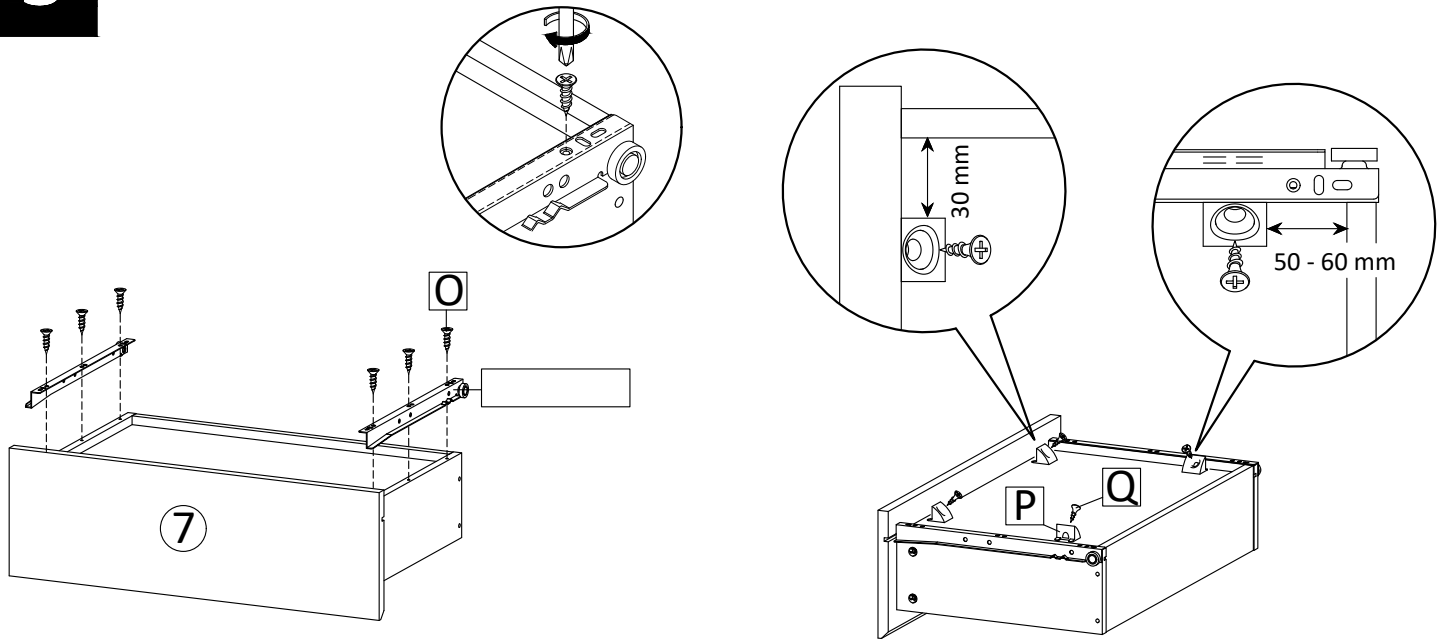
O	x 6
M 3.5 x 13 mm	


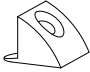

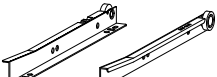
P	x 4

Q	x 4
M 3.5 x 15.5 mm	

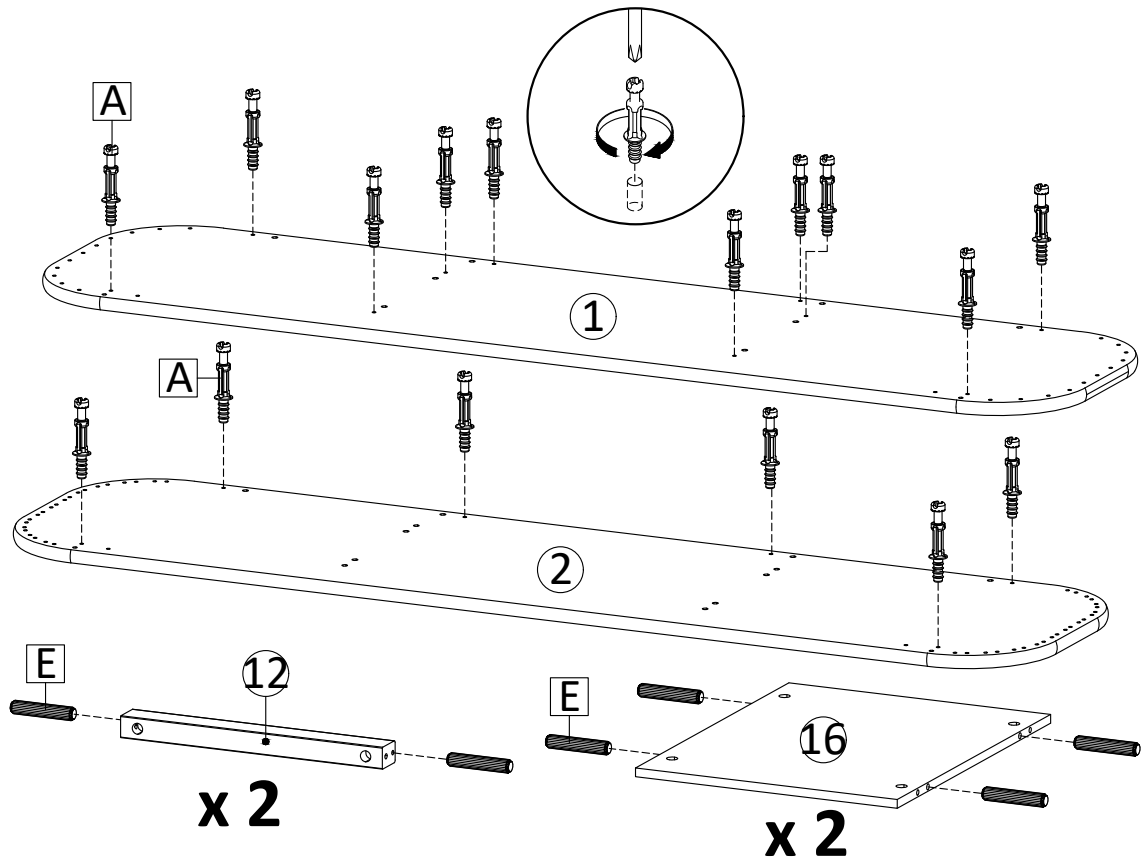
RM30A	x 1
300 mm	

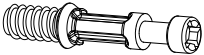

5



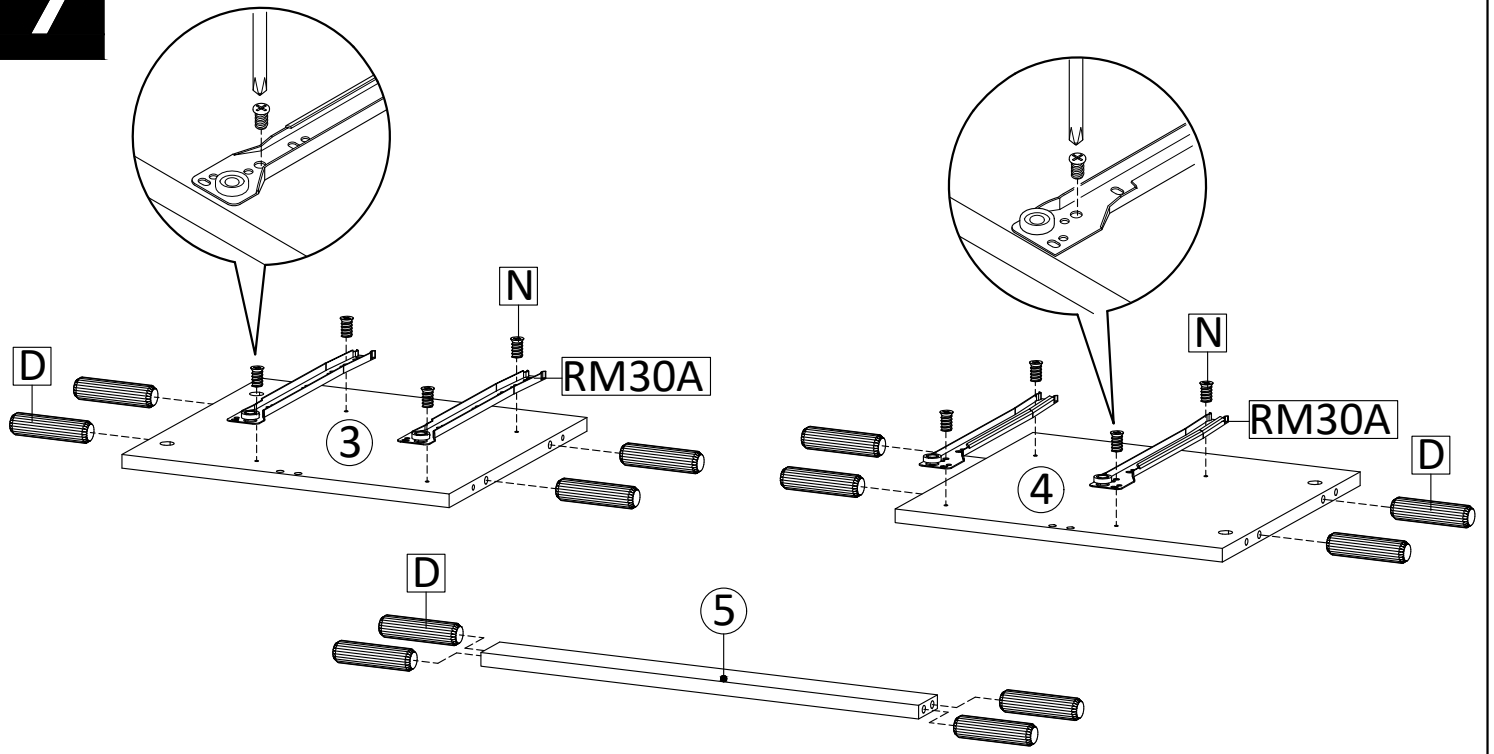
O	x 6	P	x 4	Q	x 4	RM30A	x 1
 M 3.5 x 13 mm				 M 3.5 x 15.5 mm		 300 mm	

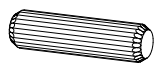
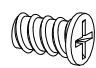
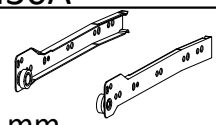
6



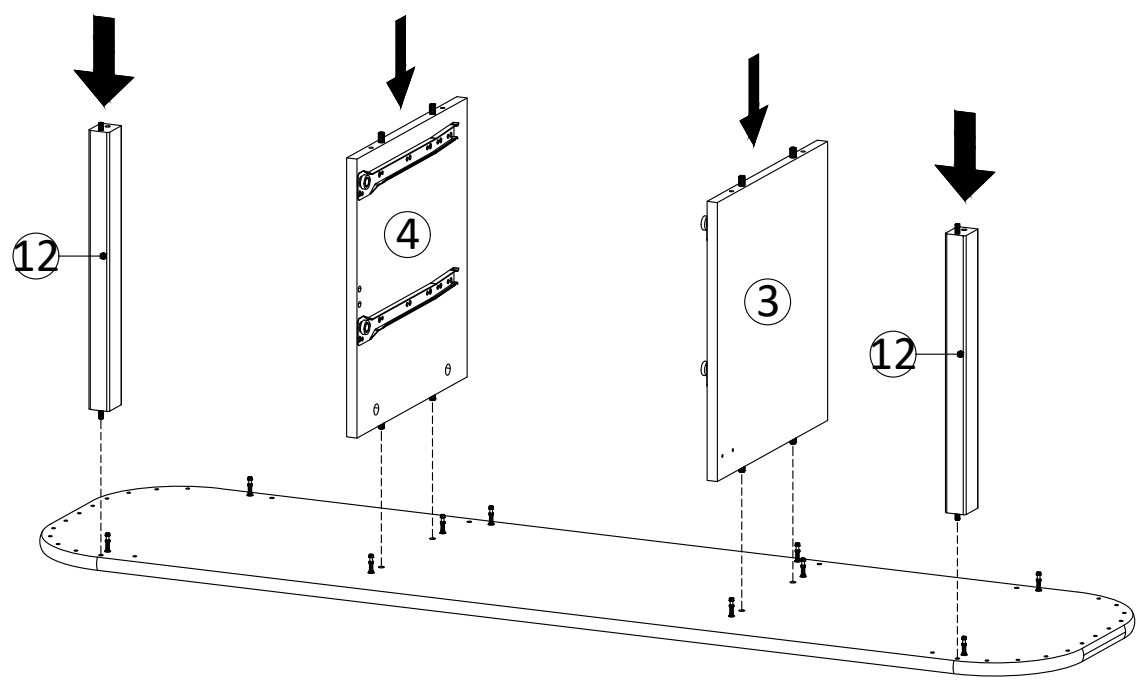
A	x 16	E	x 12
 Ø 6 x 35 mm		 Ø 6 x 30 mm	

7

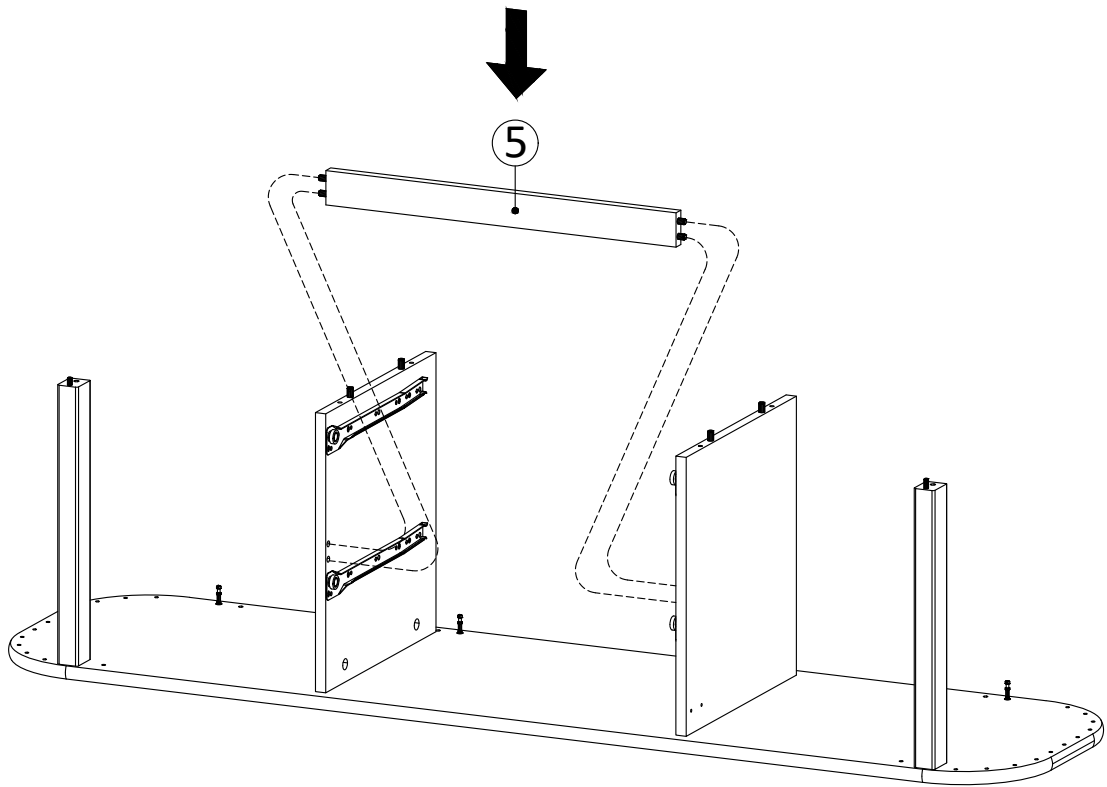


D	x 12	N	x 8	RM30A	x 2
 <p>Ø 8 x 30 mm</p>		 <p>M 6 x 10.5 mm</p>		 <p>300 mm</p>	

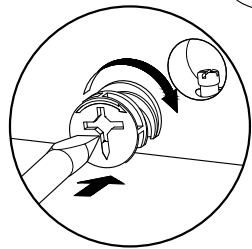
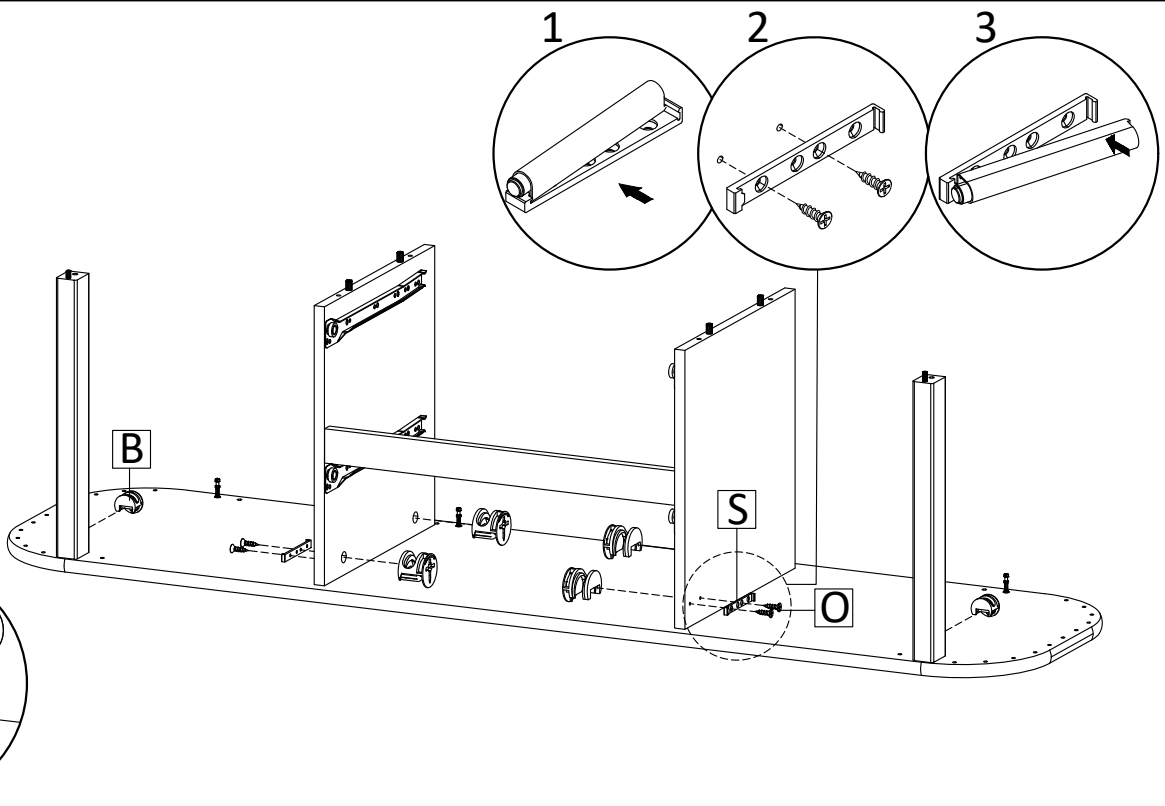
8



9



10

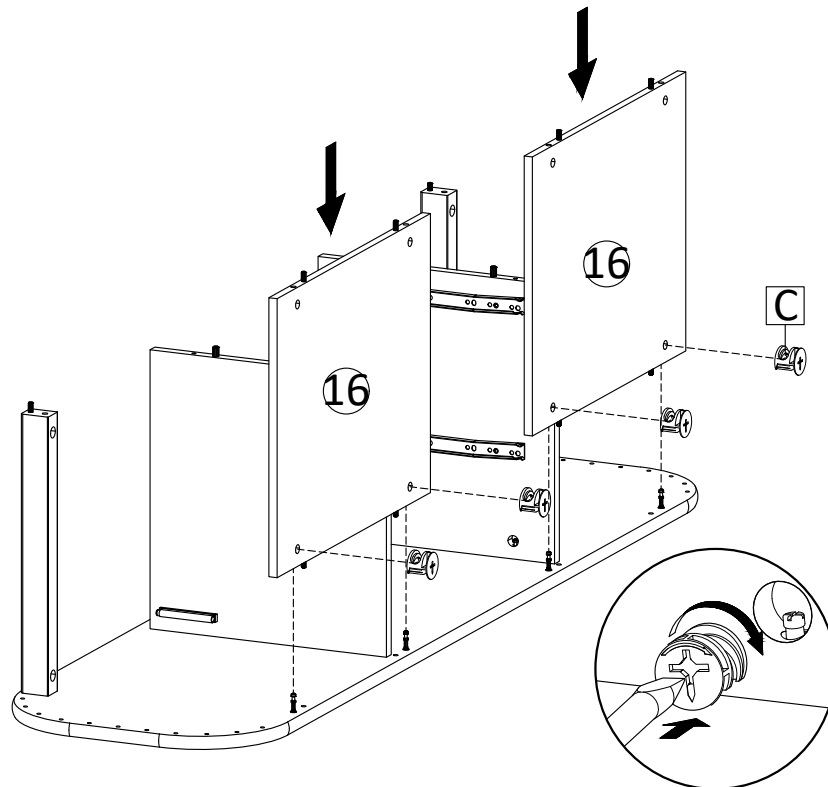


B	x 6
\varnothing 15 mm	

O	x 4
M 3.5 x 13 mm	

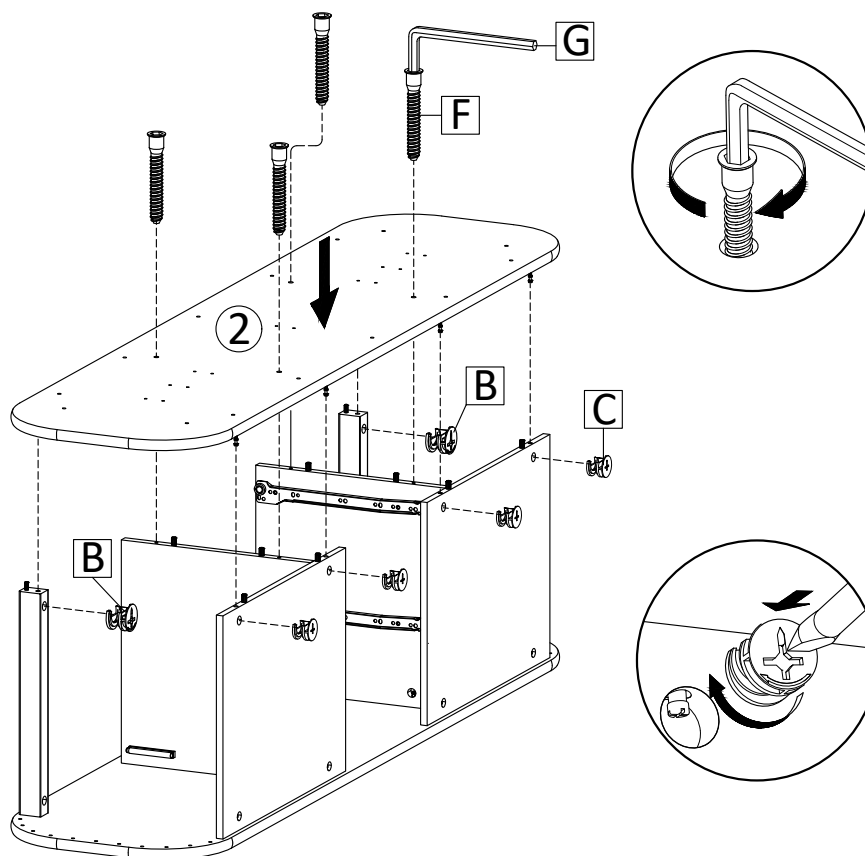
S	x 2

11



C	x 4
<p>∅ 12 mm</p>	

12



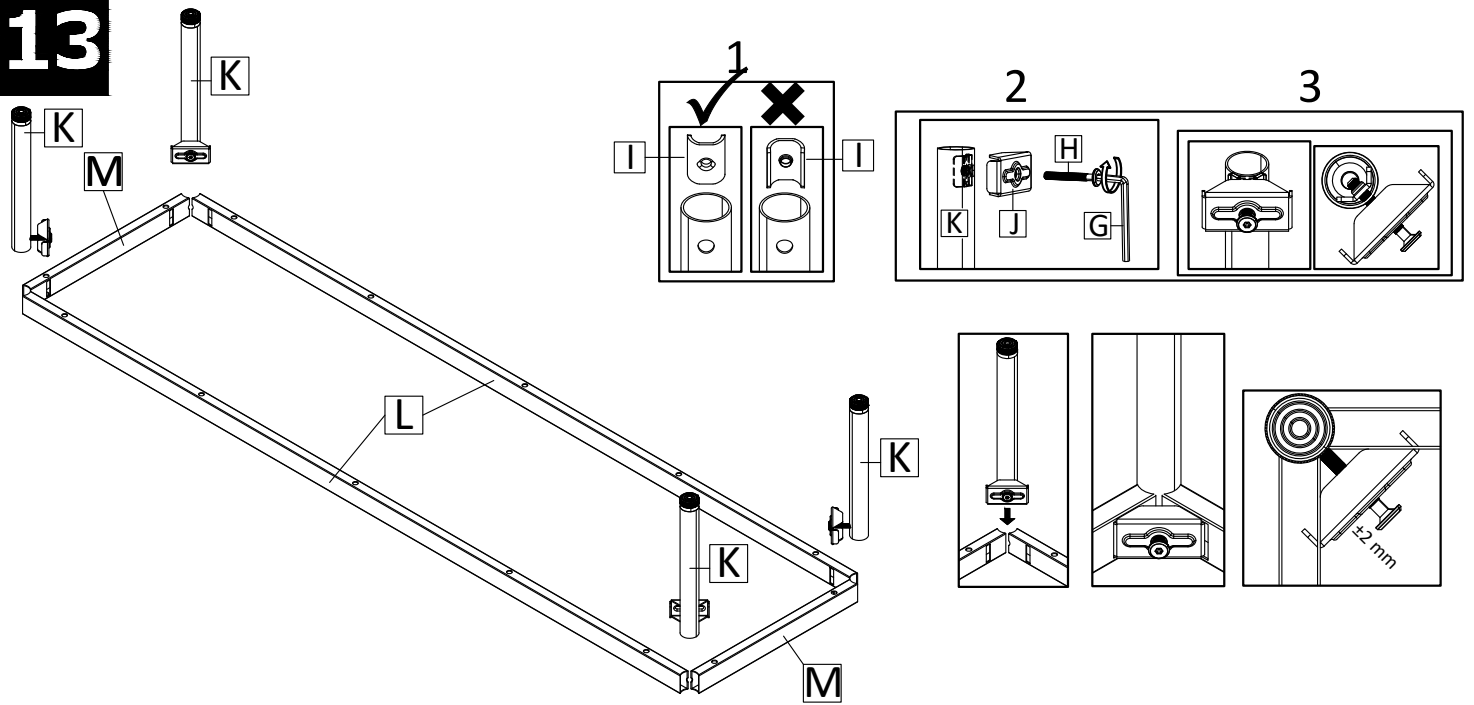
B	x 2
<p>∅ 15 mm</p>	

C	x 4
<p>∅ 12 mm</p>	

F	x 4
<p>M 7 x 50 mm</p>	

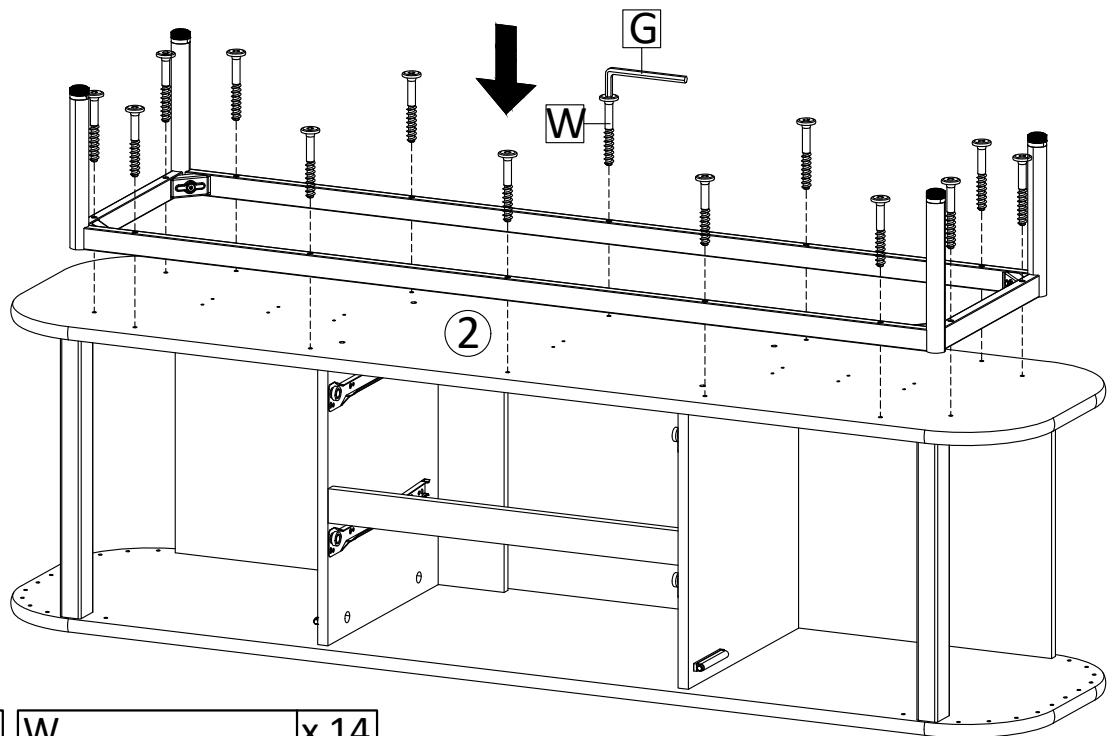
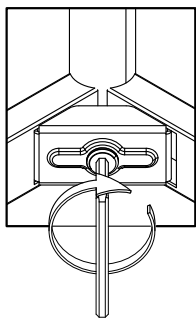
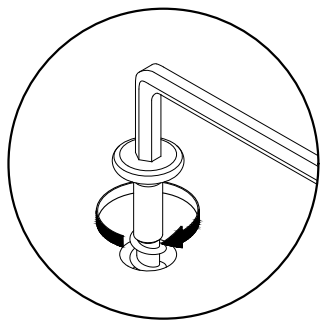
G	x 1
<p>L 4</p>	

13



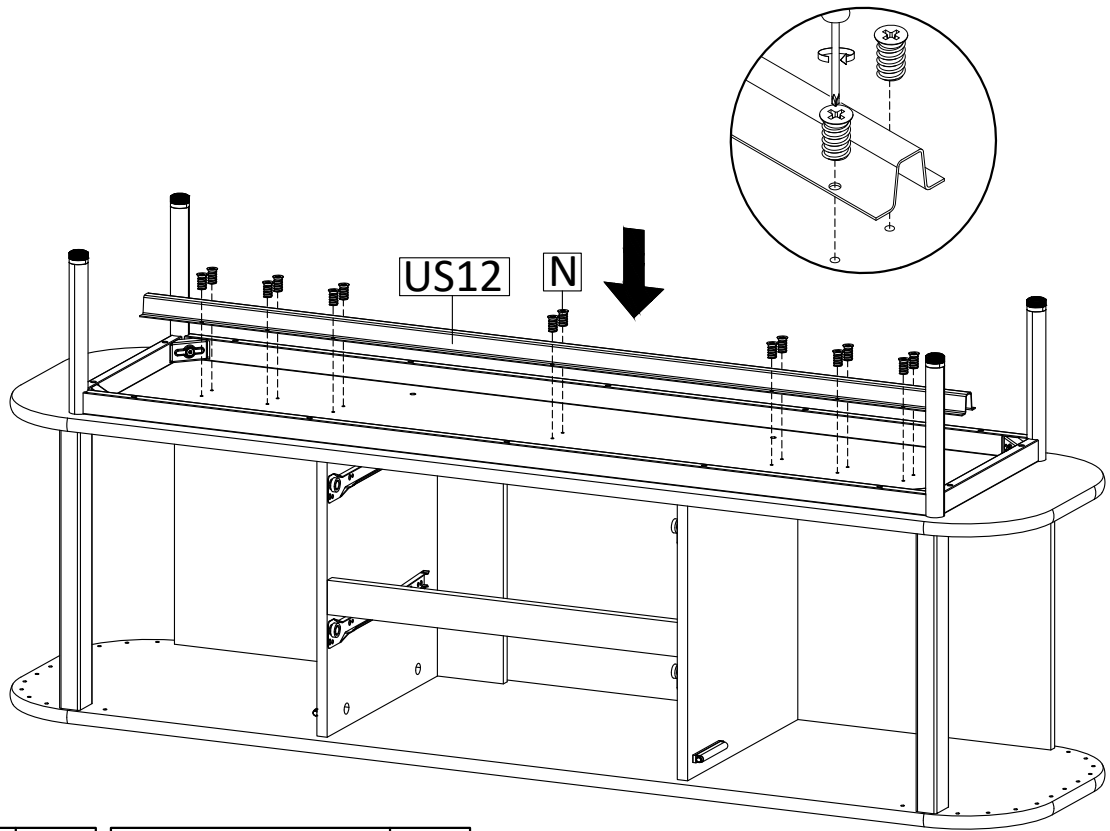
G	x 1	H	x 4	I	x 4
L 4		M 6 x 40 mm			
J	x 4	K	x 4	L	x 2
M	x 2				

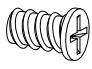

14



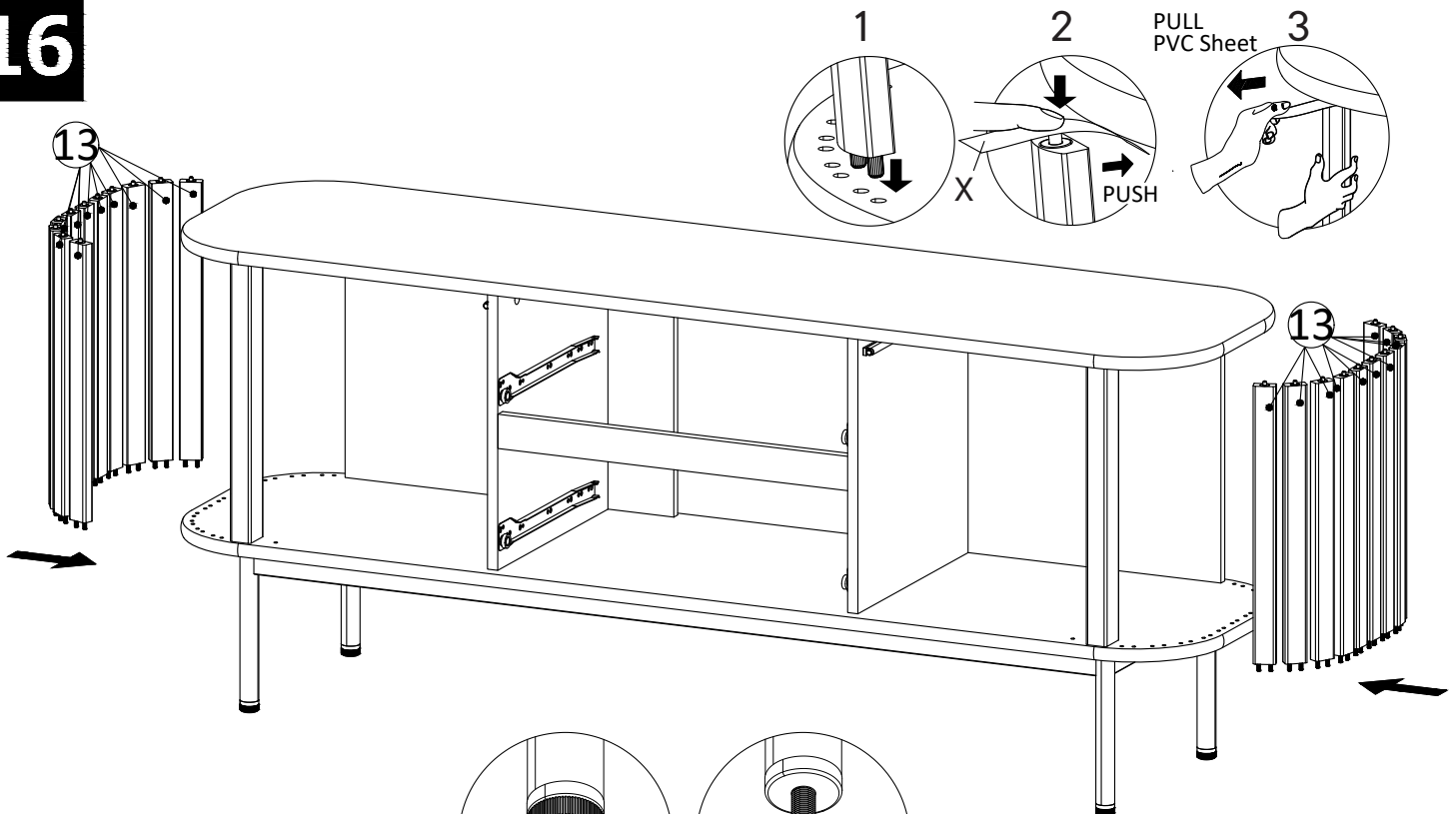
G	x 1	W	x 14
L 4		M 6.4 x 45 mm	


15

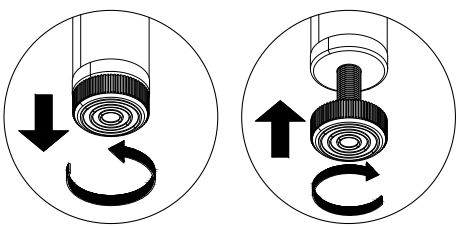


N	x 14	US12	x 1
 M 6 x 10.5 mm			

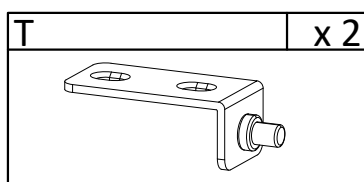
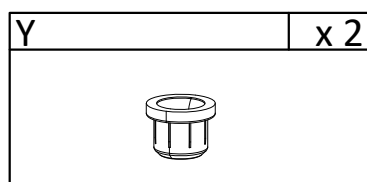
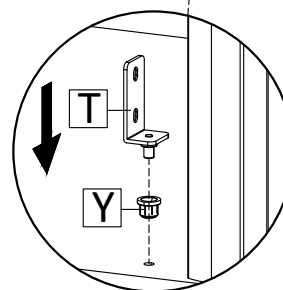
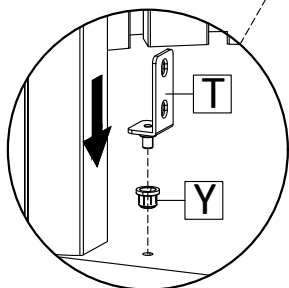
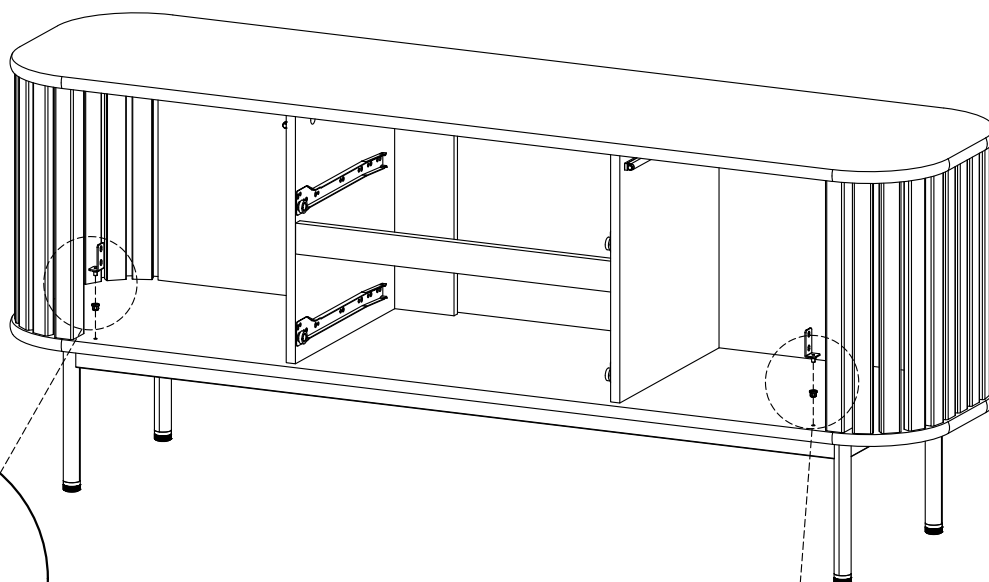
16



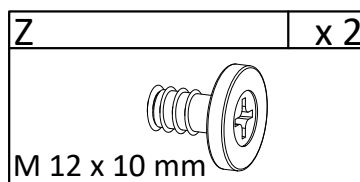
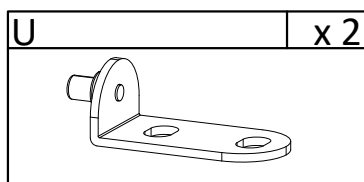
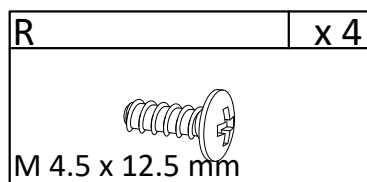
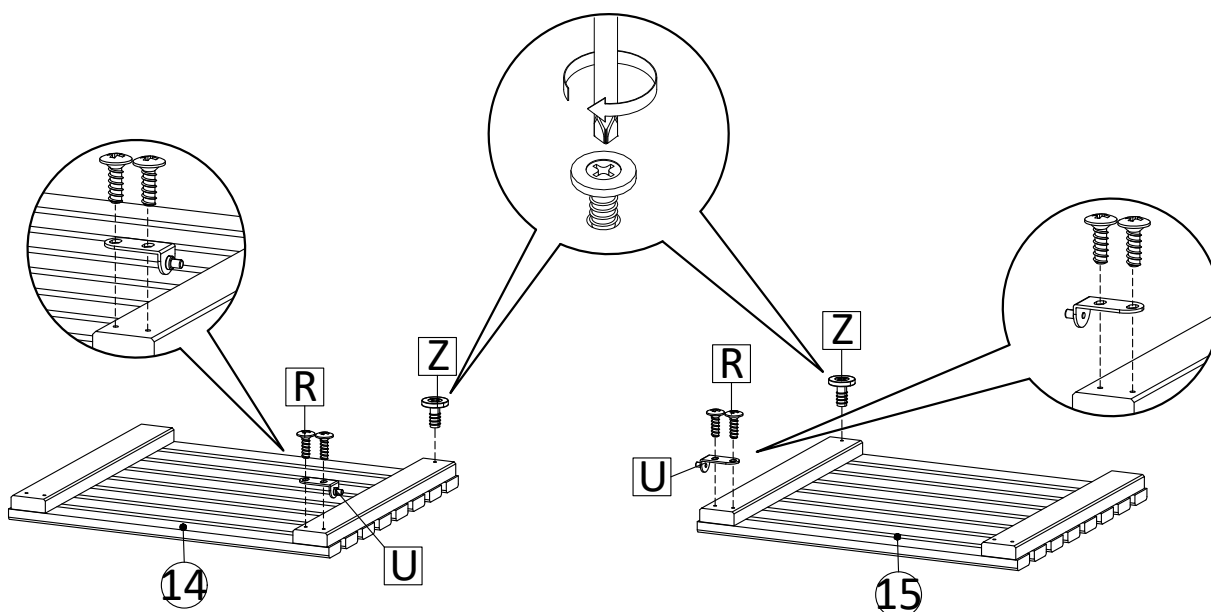
X	x 2
	



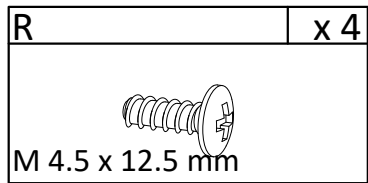
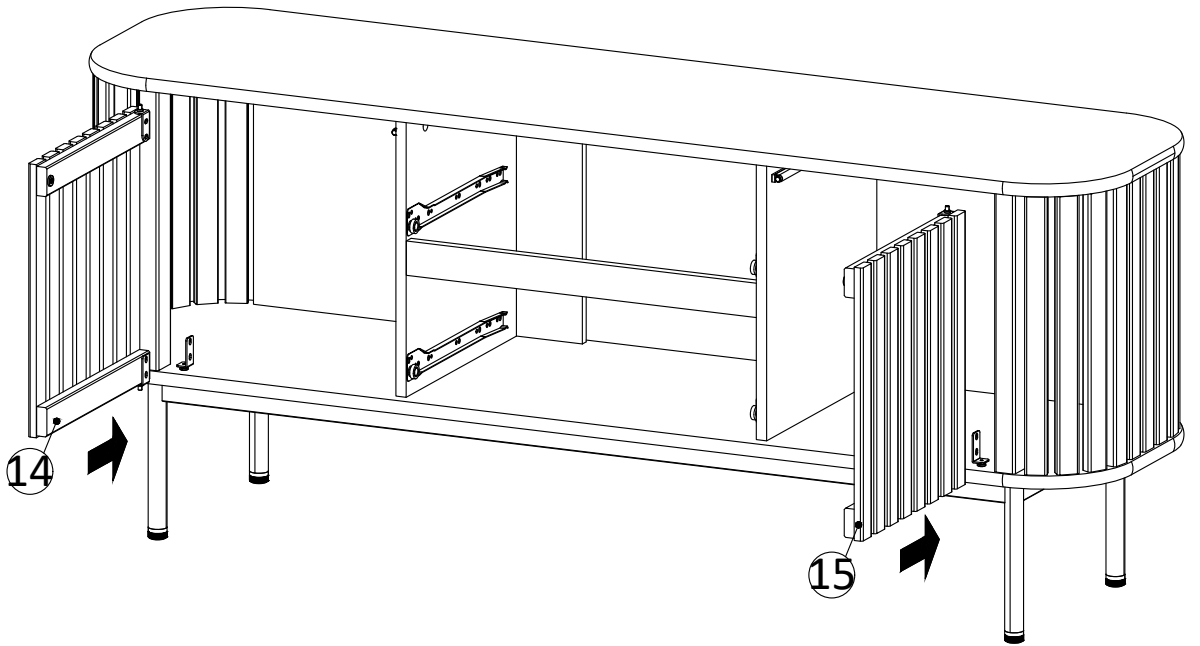
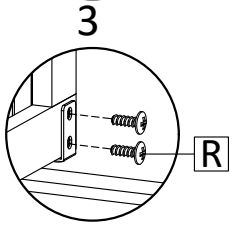
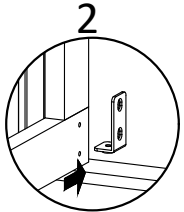
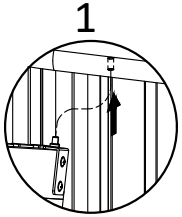
17



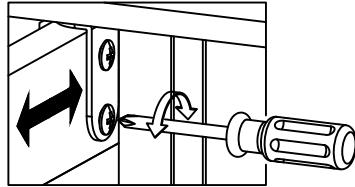
18



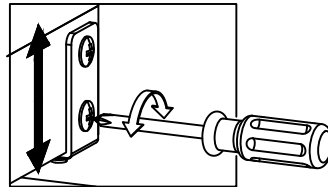
19



TOP



BOTTOM



20

