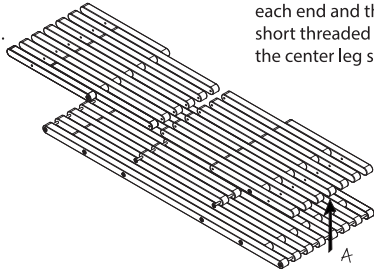


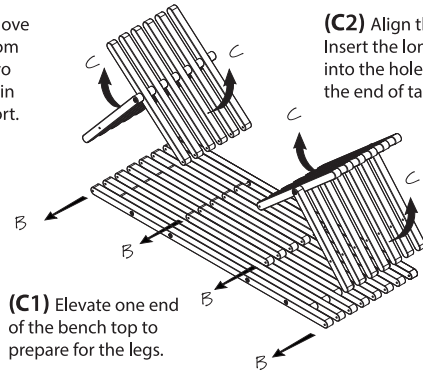
Assembly Instructions

Bench

(A) Lay the Bench top on a flat surface with the top facing down. Loosen **all nuts** using the allen wrenches included.

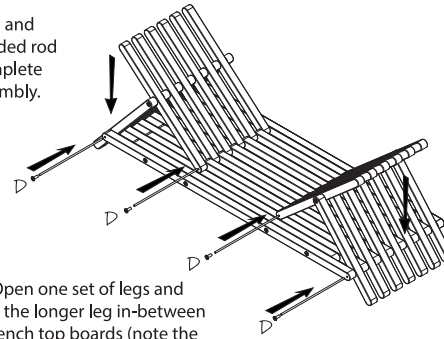


(B) Loosen and remove one threaded rod from each end and the two short threaded rods in the center leg support.



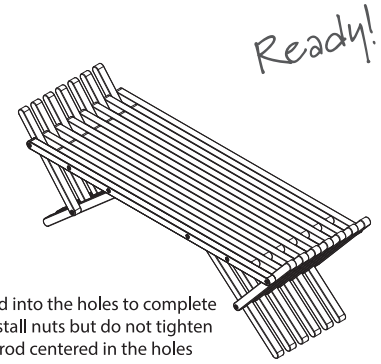
(C1) Elevate one end of the bench top to prepare for the legs.

(C2) Align the holes and Insert the long threaded rod into the holes to complete the end of table assembly.



(D) Open one set of legs and insert the longer leg in-between the bench top boards (note the hole is 6" from the end).

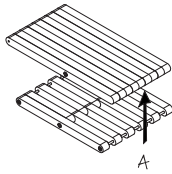
Next rotate the leg assembly until the shorter boards insert and align with the center support holes.



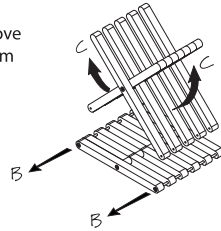
Insert the shorter rod into the holes to complete the leg assembly. Install nuts but do not tighten (Note: check for the rod centered in the holes before inserting nut) Repeat the process for the opposite end. Set up the assembled bench and tighten all nuts.

Stool

(A) Lay the Stool on a flat surface with the folded legs facing up. Loosen **all nuts** using the allen wrenches included.

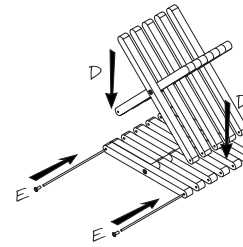


(B) Loosen and remove the threaded rods from each end.



(C) Legs-Loosen but do not remove the center rod of the leg assembly.

(D) Insert the legs one at a time in one end of the table, align the holes and insert the threaded rod into the holes. Rotate the leg assembly and insert the opposite ends between the stool top boards.



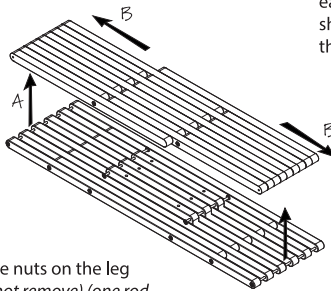
(E) Align the holes and insert the rod. Add the nuts (Note: check for the rod centered in the holes before inserting nut)

Rotate stool with the top facing up and tighten all nuts.

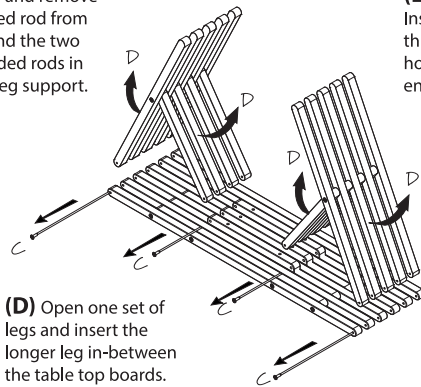


Sideboard

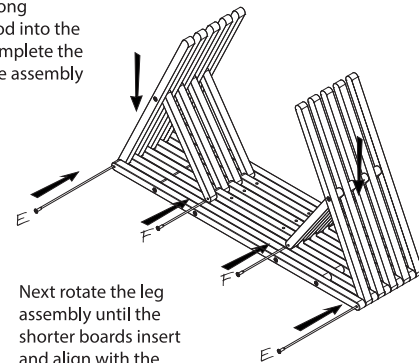
(A) Lay the Side Table top on a flat surface with the top facing down. Loosen **all nuts** using the allen wrenches included.



(C) Loosen and remove one threaded rod from each end and the two short threaded rods in the center leg support.



(E) Align the holes and Insert the long threaded rod into the holes to complete the end of table assembly



(F) Insert the shorter rod into the holes to complete the leg assembly. Install nuts but do not tighten (Note: check for the rod centered in the holes before inserting nut) Repeat the process for the opposite end.

(B) Loosen the nuts on the leg assembly (do not remove) (one rod in each assembly) and separate the two identical leg assemblies.

(D) Open one set of legs and insert the longer leg in-between the table top boards.

Next rotate the leg assembly until the shorter boards insert and align with the center support holes

Set up the assembled side board and tighten all nuts.

