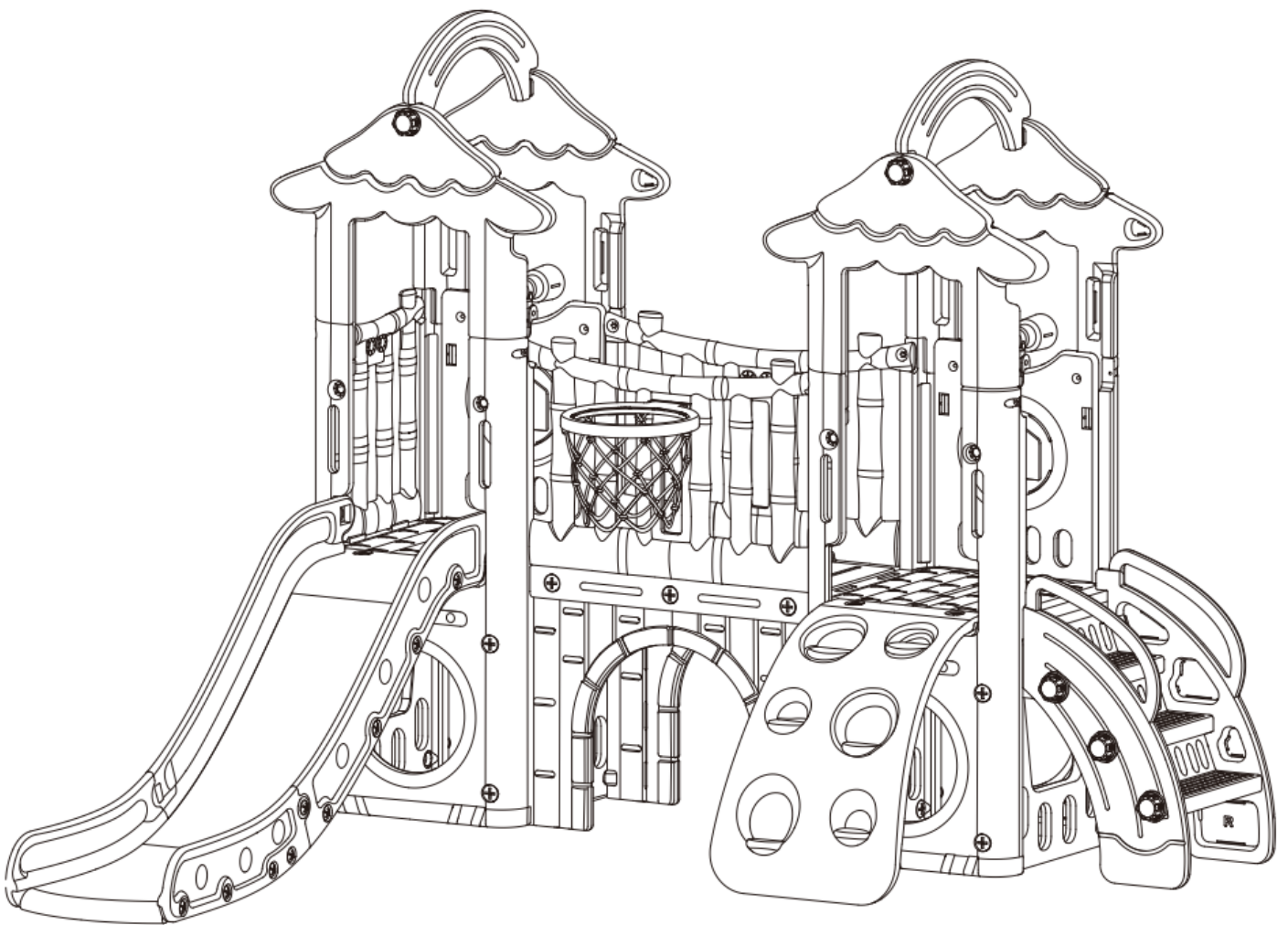


Jungle Slide Playset

USER MANUAL



READ AND SAVE THIS INSTRUCTION FOR FUTURE USE

SAFETY & WARNINGS

ADULT ASSEMBLY REQUIRED.

- Keep these instructions for future reference.
- This product is intended for indoor, outdoor, family, domestic use only.
- Place this product on level ground and at least 6.6' away from a fence, building, overhead branches, laundry lines or electrical wires. This product should be placed away from furniture that could cause injury if a fall occurs.
- Ensure the installation area is ventilated.
- Do not use the product if it is damaged or defective. If it is damaged or defective, please contact a qualified technician.
- Check that all parts are assembled well and are stable before use. Defective parts must be changed immediately as they can impair the function and the safety of the product.
- When temperatures fall below freezing (0°C/32°F), outdoor use of this product is not recommended. In extreme cold, plastic materials lose resilience and may become brittle and crack with impact. Store product in a warmer, protected place.
- Keep away from fire or any source of ignition.
- Packing materials are not toys, keep them away from children.
- Instruct children on proper use of this product: only after properly assembled and installed, and not in a manner other than intended.
- Dress children appropriately: do not allow children to wear loose-fitting clothing including ponchos, scarves and garments with drawstrings. Well-fitting shoes must be worn at all times.
- Avoid placing equipment in direct sunlight as hot surfaces could cause serious burns.
- Provide adult supervision at all times.

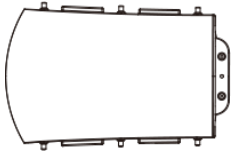
PLEASE DO NOT RETURN TO STORE



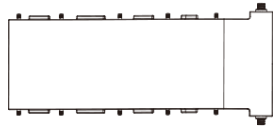
**Please do not return this product to the retailer!!
We are able to assist you in ANY way**

If you find that you have any trouble with assembly or missing or damaged parts please contact the seller.

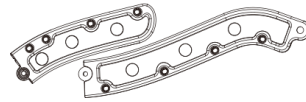
PART LIST



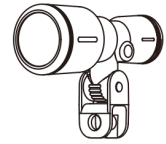
Slide Extension x 1



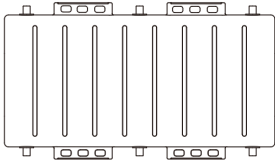
Slide x 1



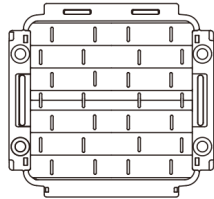
Slide Handrail x 2



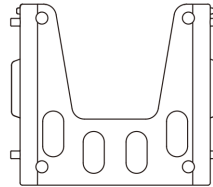
Telescope x 2



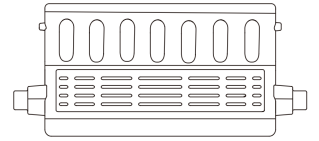
Tunnel Platform x 1



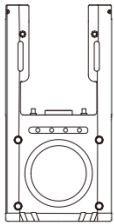
Square Tunnel x 2



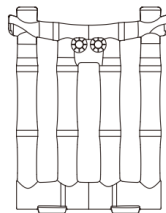
Fixed Baffle x 4



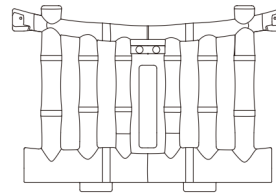
Stair x 3



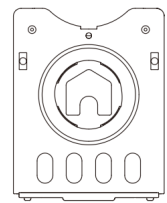
U-Shaped Side Panel x 4



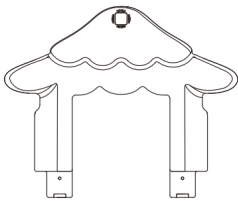
Fence x 1



Aisle Fence x 2



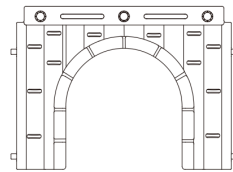
Panel with House x 2



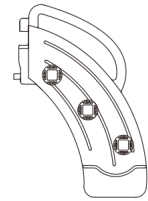
Roof Top x 4



Climbing Wall x 1



Tunnel Panel x 2



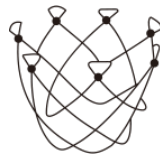
Stair Handrail x 2



Rainbow Top x 2



Basketball x 1



Basketball Net x 1



Basketball Ring x 1



Screw A x 24



Screw B x 40



Screw C x 10



Screw D x 1



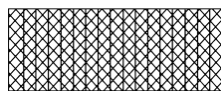
Screw E x 14



Screw F x 6

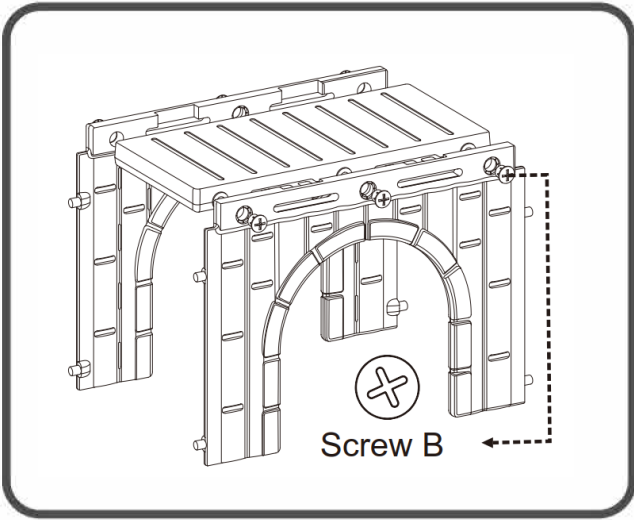


Screwdriver x 1



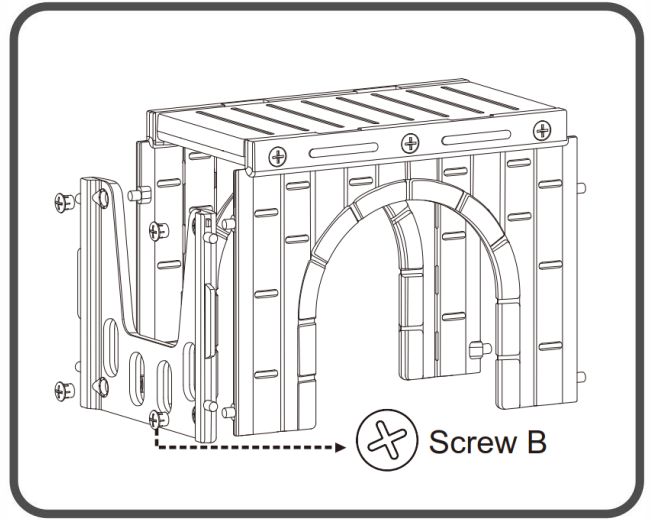
Anti-slip Sheet x 2

ASSEMBLY



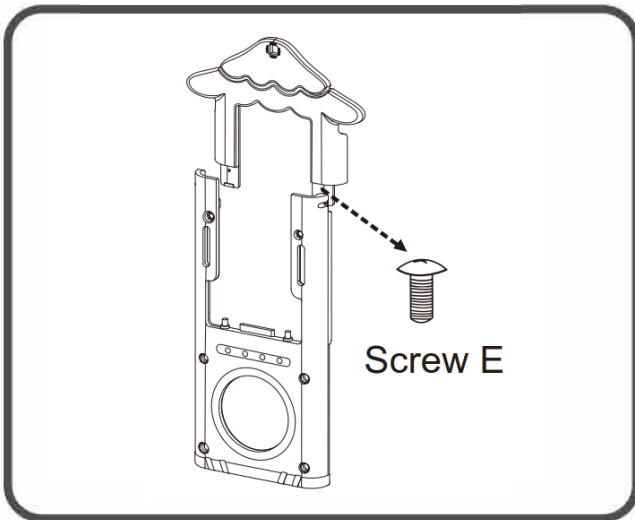
Step1

Connect the Tunnel Platform to the Tunnel Panel, secure with 3 Screws B on each side.



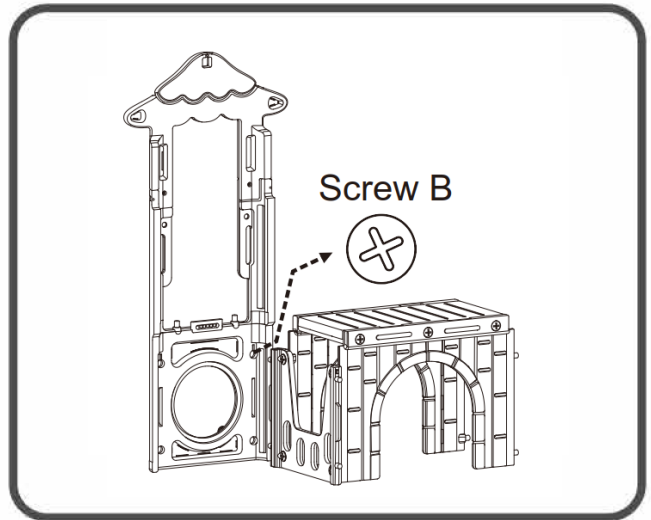
Step2

Connect the Fixed Baffle to the Tunnel Panel, secure with 4 Screws B.



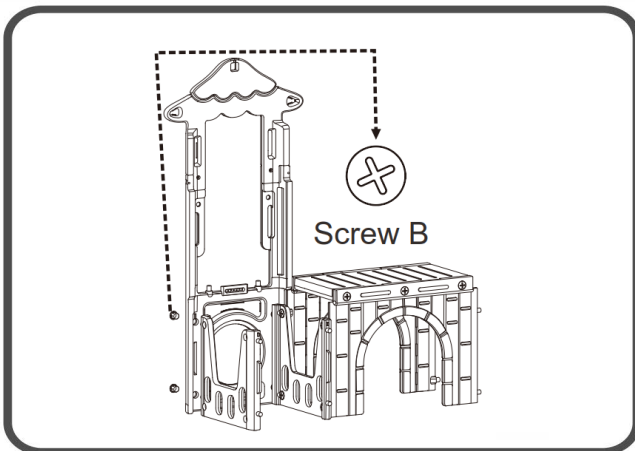
Step3

Connect the Rooftop to the U-Shaped Side Panel, secure with 2 Screw E. Repeat this step four times.



Step4

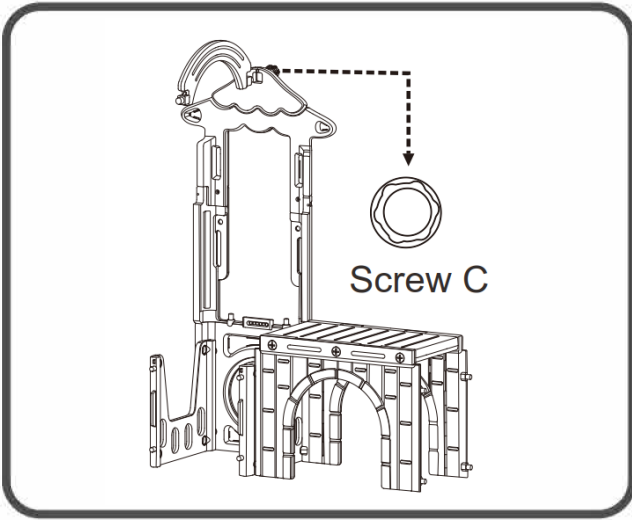
Attach the Step 3 assembled parts to the side of Fixed Baffle, secure with 2 Screws B.



Step5

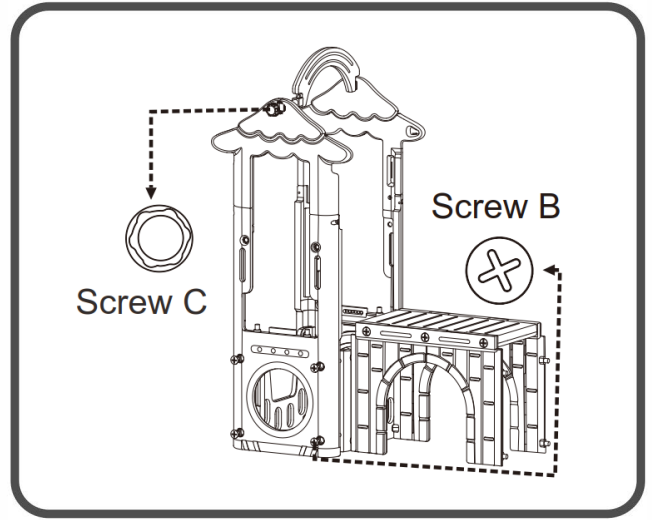
Connect the other Fixed Baffle to the U-Shaped Side Panel, secure with 2 Screws B.

ASSEMBLY



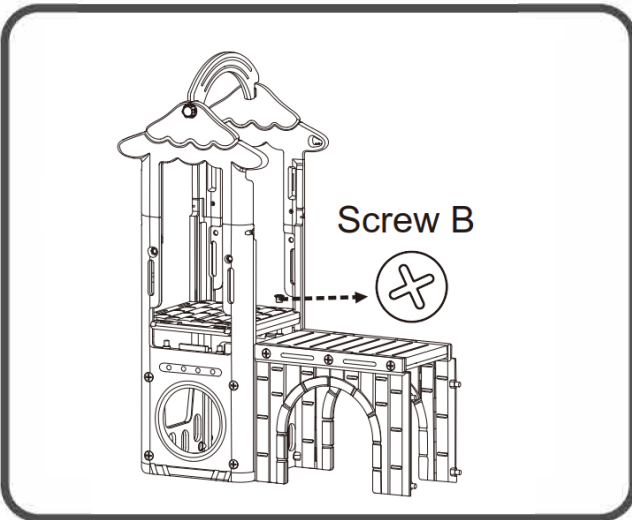
Step 6

Connect the Rainbow Top to the Roof Top, secure with 1 Screw C.



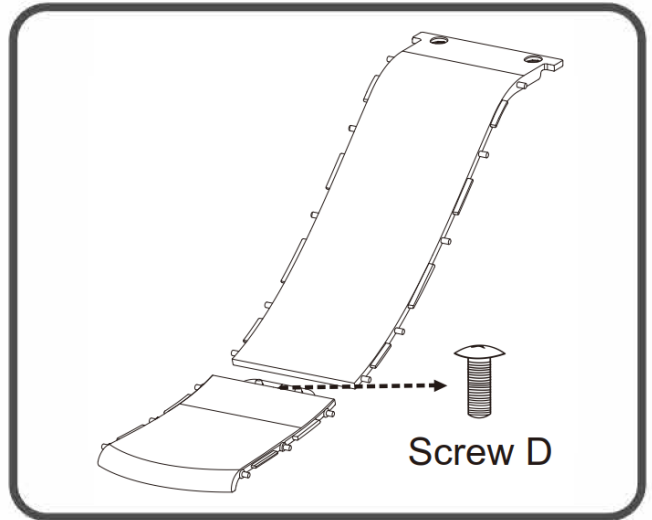
Step 7

Connect the Step 3 assembled parts to the other side of Fixed Baffle, secure with 1 Screw C and 4 Screws B.



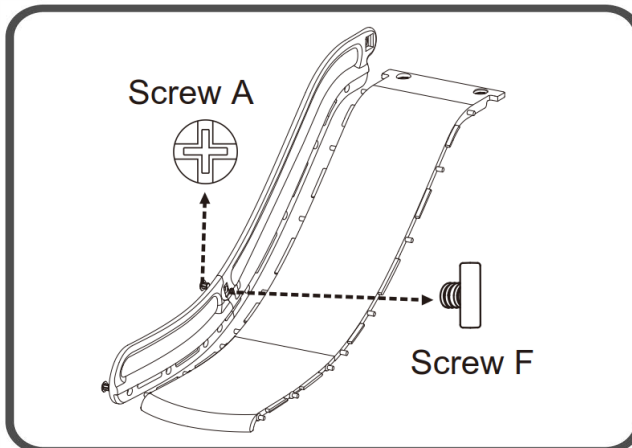
Step 8

Connect the Square Tunnel to the U-Shaped Side Panel, secure with 2 Screws B.



Step 9

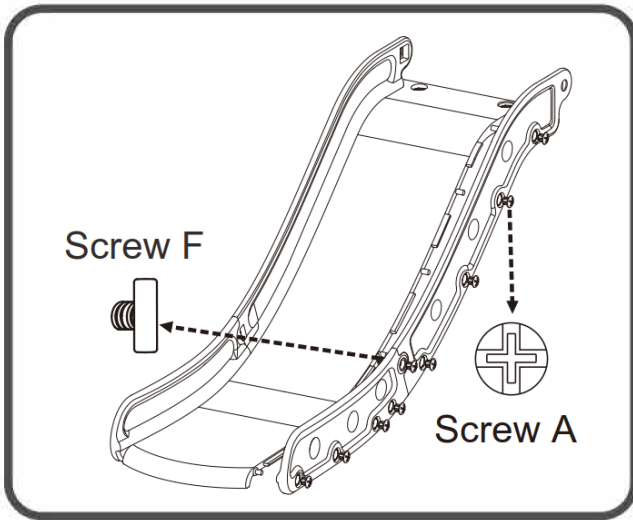
Connect the Slide Extension to Slide, secure with 1 Screw D.



Step 10

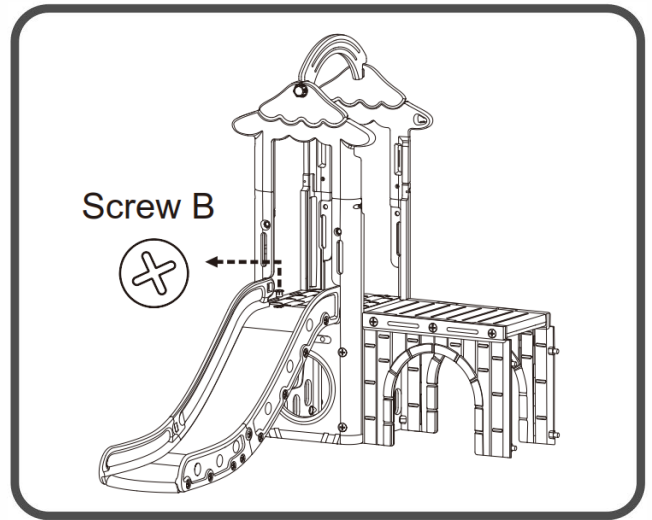
Attach the Handrails, secure with 9 Screws A and 1 Screw F.

ASSEMBLY



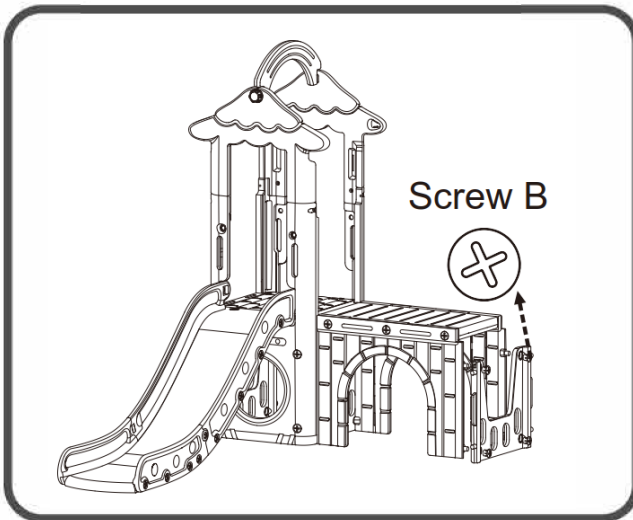
Step 11

Repeat Step 10.



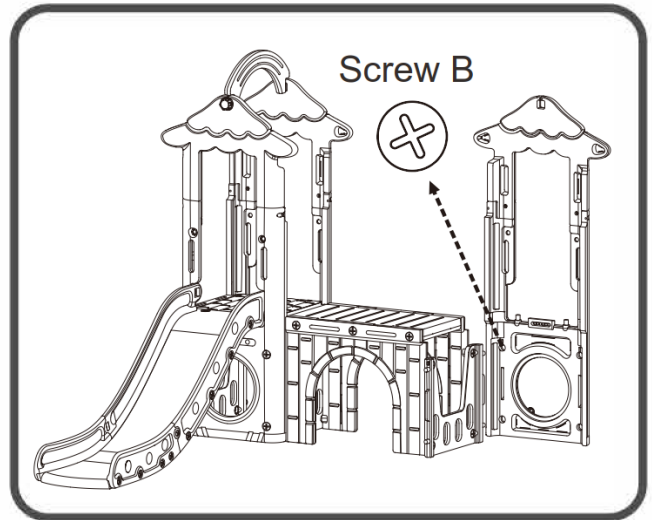
Step 12

Connect Step 11 Assembled parts to Step 8 Assembled parts, secure with 2 Screws B.



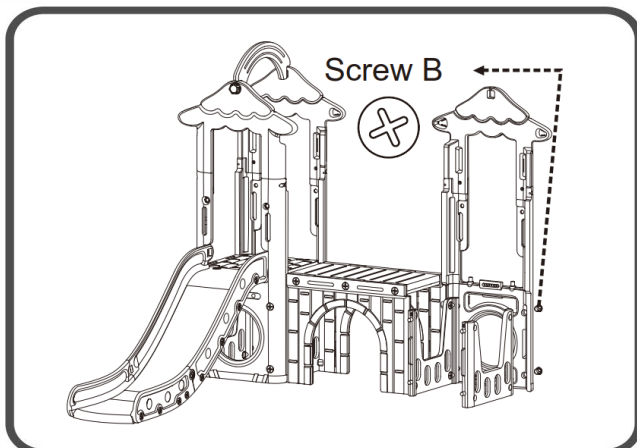
Step 13

Connect the Fixed Baffle to the other side of the Tunnel Panel, secure with 4 Screws B



Step 14

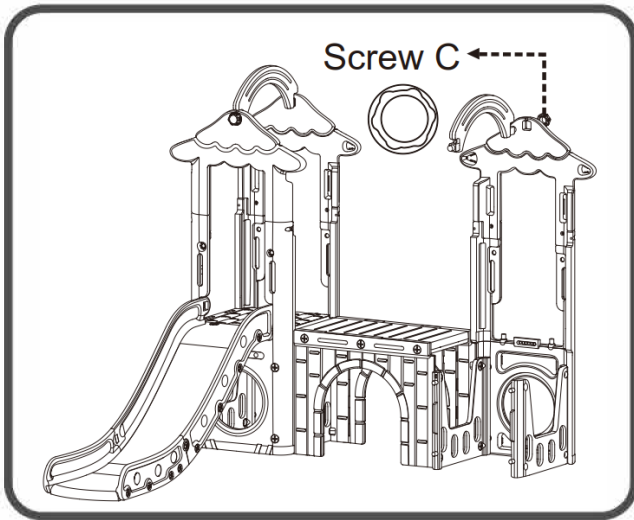
Connect the Step 4 assembled parts to the Fixed Baffle, secure with 2 Screws B.



Step 15

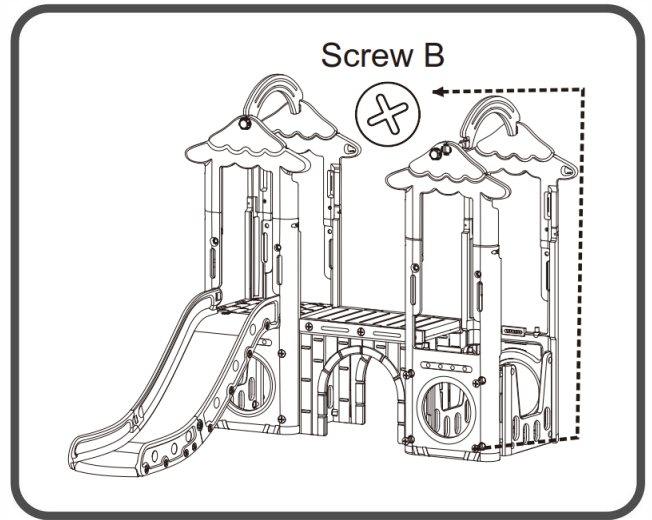
Connect another Fixed Baffle to the Step 14 assembled parts, secure with 2 Screws B.

ASSEMBLY



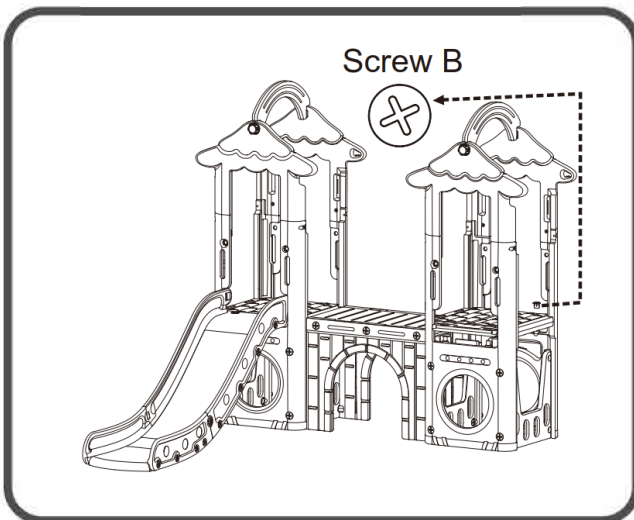
Step 16

Connect the other Rainbow Top to the other Roof Top, secure with 1 Screw C.



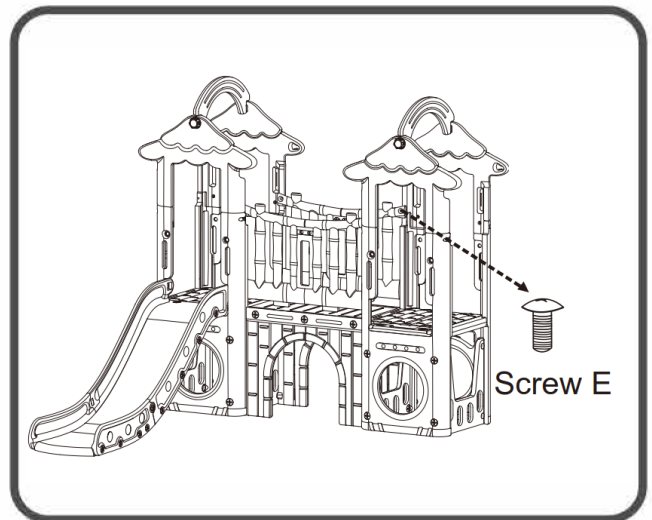
Step 17

Connect the Step 3 Assembled parts to Step 16 Assembled parts, secure with 4 Screws B and 1 Screw C.



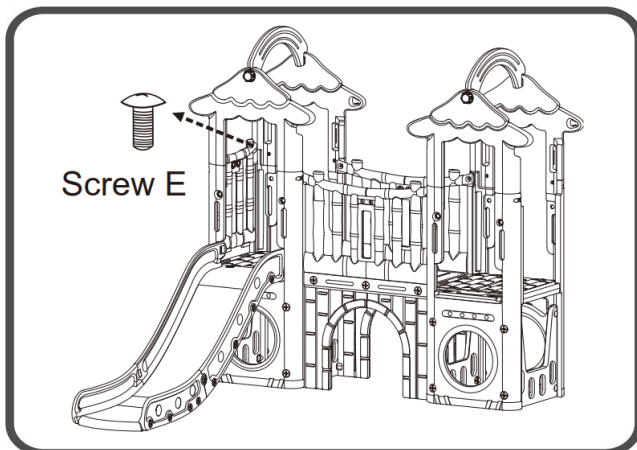
Step 18

Connect the other Square Tunnel to the U-Shaped Side Panel, secure with 2 Screws B.



Step 19

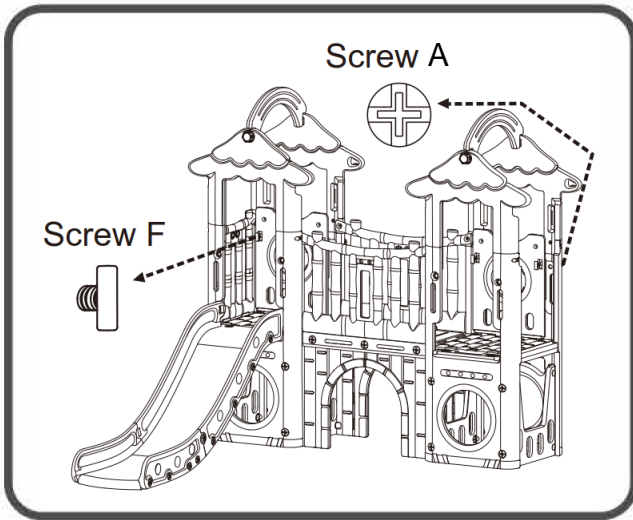
Connect the 2 Aisle Fence to the 4 U-Shaped Side Panel as shown, secure with 4 screws E.



Step 20

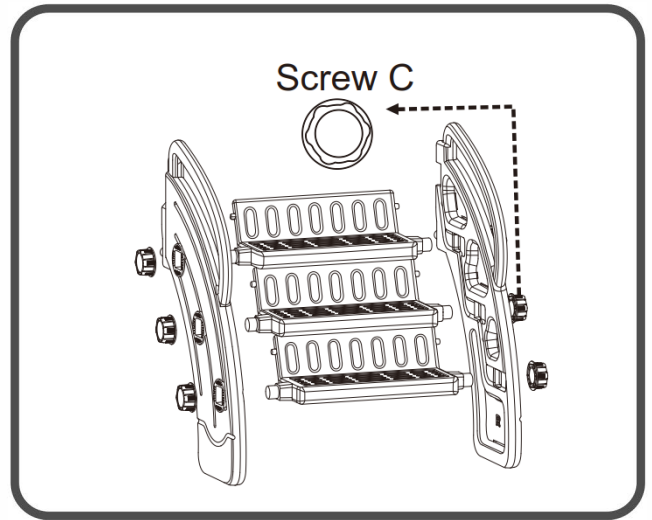
Connect the Fence to the 2 U-Shaped Side Panel as shown, secure with 2 Screws E.

ASSEMBLY



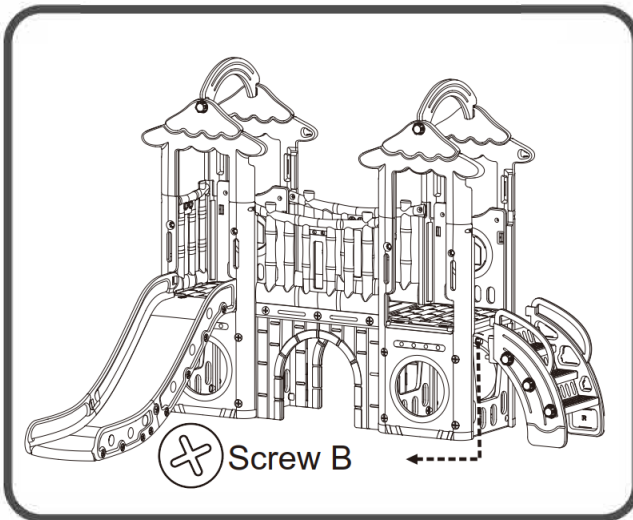
Step 21

Connect the 2 Panel with House to the 2 U-Shaped Side Panel as shown, secure with 4 Screws A and 4 Screws F.



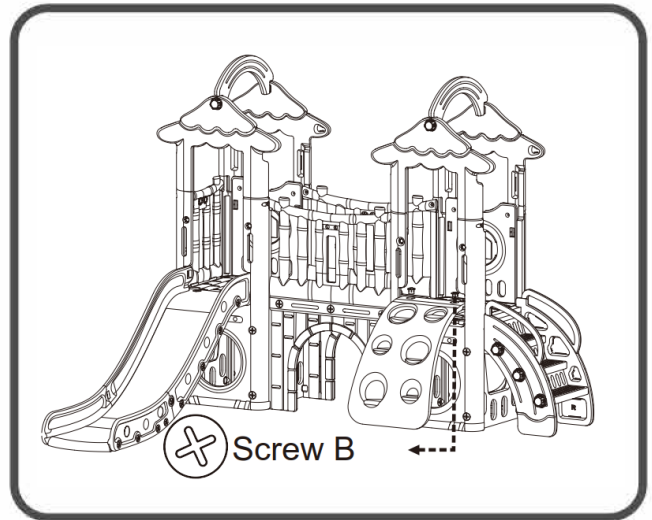
Step 22

Connect the Stairs to the Stair Handrail, secure with 3 Screws C on each side.



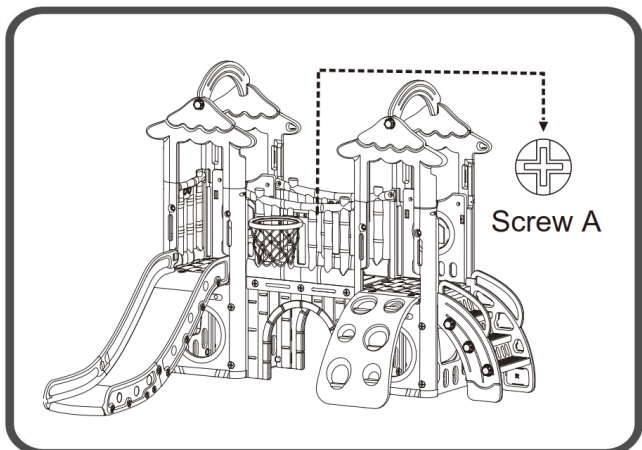
Step 23

Connect the Step 22 assembled parts to the Step 21 assembled parts, secure with 2 Screws B.



Step 24

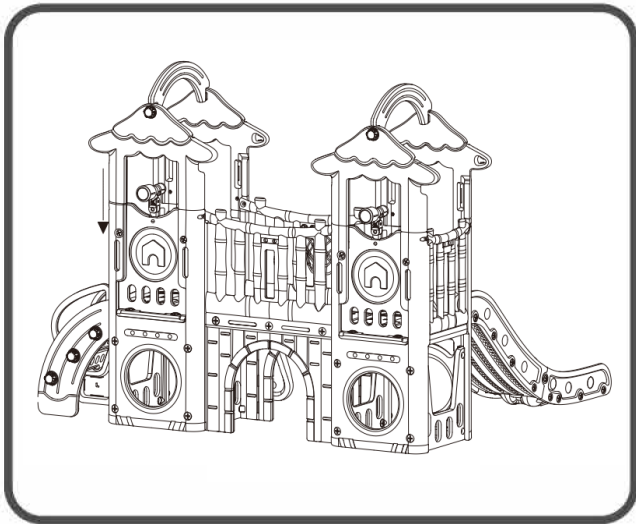
Connect the Climbing Wall to the Step 23 assembled parts as shown, secure with 2 Screws B.



Step 25

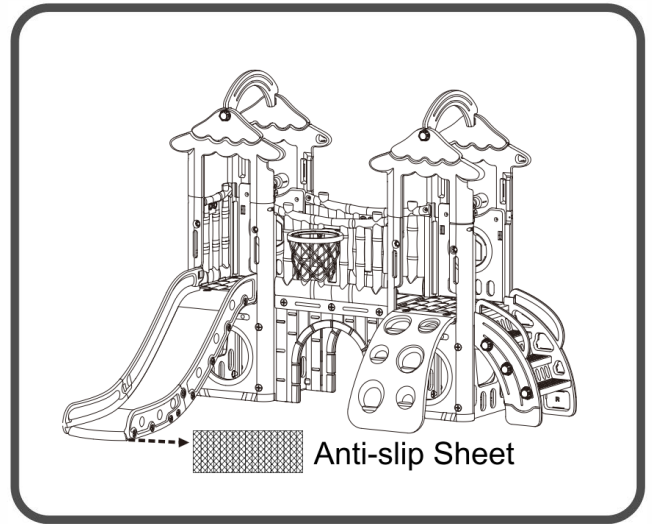
Attach the Basketball Ring with 2 Screws A as shown.

ASSEMBLY



Step 26

Attach the Telescope.



Step 27

Attach the anti-slip sheet to the bottom of the slide.
Assembly completed!



GENERAL SAFETY INSTRUCTIONS

This product is intended for indoor, outdoor, home, domestic use only. It is not suitable for commercial or medical use.

The assembly of the product must be done carefully and by an able-bodied adult. If in any doubt, ask a technically qualified person.

Do not use the product if it is damaged or defective. If it is damaged or defective, please contact a qualified technician.

Check the product before each use. Defective parts must be changed immediately as they can impair the function and the safety of the product.

Use the product only on even and non-slip surfaces. Keep sufficient space around for safety.

Beware that when using tools or doing technical work, there is always a risk of injuries. Assemble the product with care.

After installing the product according to the instruction manual, ensure all screws, bolts and nuts are correctly installed and tightened and that all joints are secure.

Do not make alterations to the product. Only use original spare parts. Only qualified technicians should carry out repairs - improper repairs can lead to danger for the user. Use this product only as described in this manual.

IMPORTANT

The owner's manual contains safety, assembly, use and maintenance instructions. The product must be assembled by an adult who has read and understood these instructions. Keep the packaging away from children and dispose of all packaging before use.

OPERATION INSTRUCTIONS

Provide adult supervision at all times.

The disassembled product contains small parts which pose a choking hazard to children under 3.

Dress children appropriately, including wearing well-fitting shoes that fully protect feet.

Instruct children:

- to sit in the center of the swings with their full weight on the seats,
- to avoid swinging empty seats,
- to slide feet first; one child down slide at a time,
- to remove articles, before playing on equipment, that create hazards when they get tangled and caught.
- not to walk close to, in front of, behind, or between moving items,
- not to get off equipment while it is in motion.

Never allow children to use the equipment in a manner other than intended. Do not swing while standing or slide down head first.