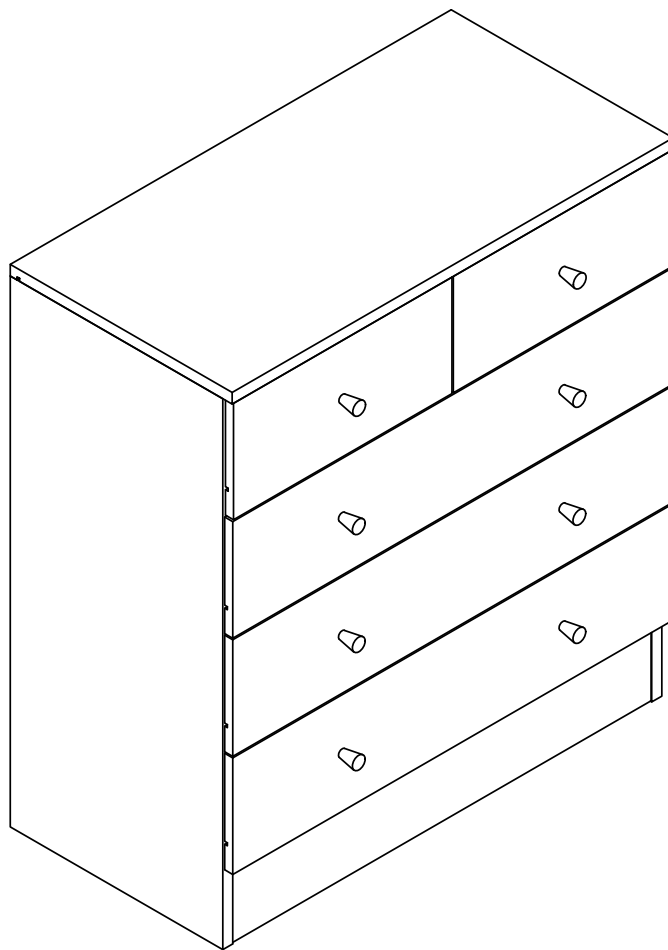
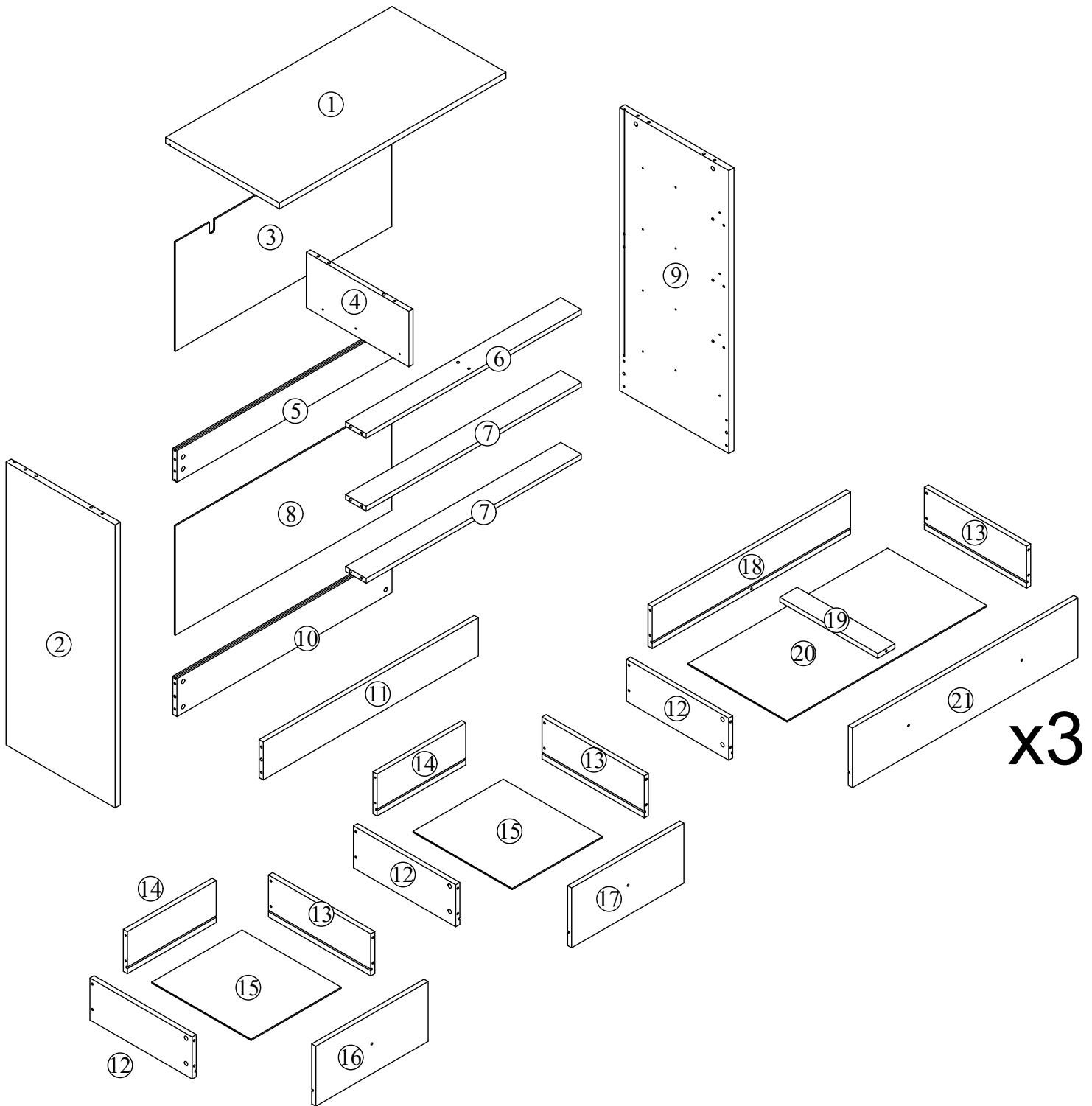
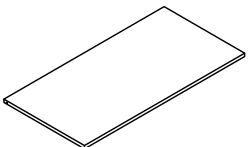
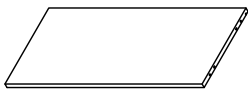
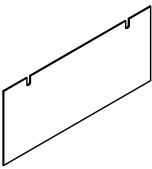
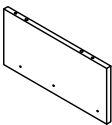
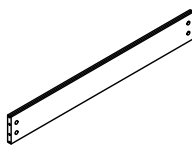
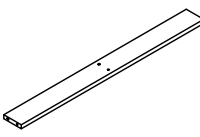
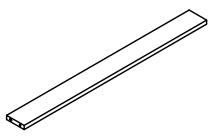
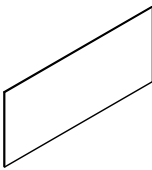
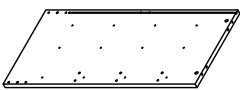
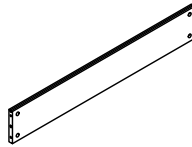
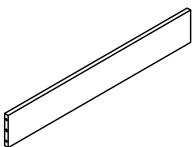
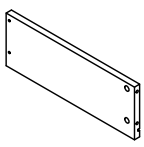
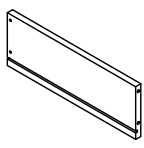
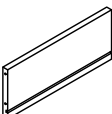
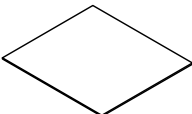
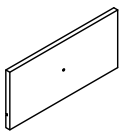
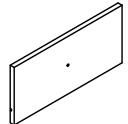
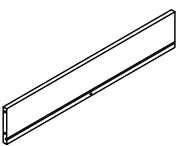
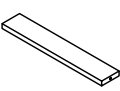
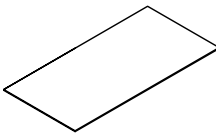
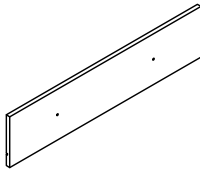


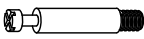

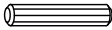











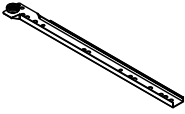
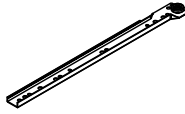
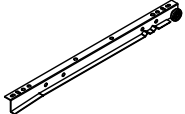
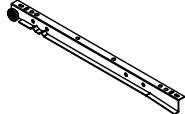

# Assembly Instruction



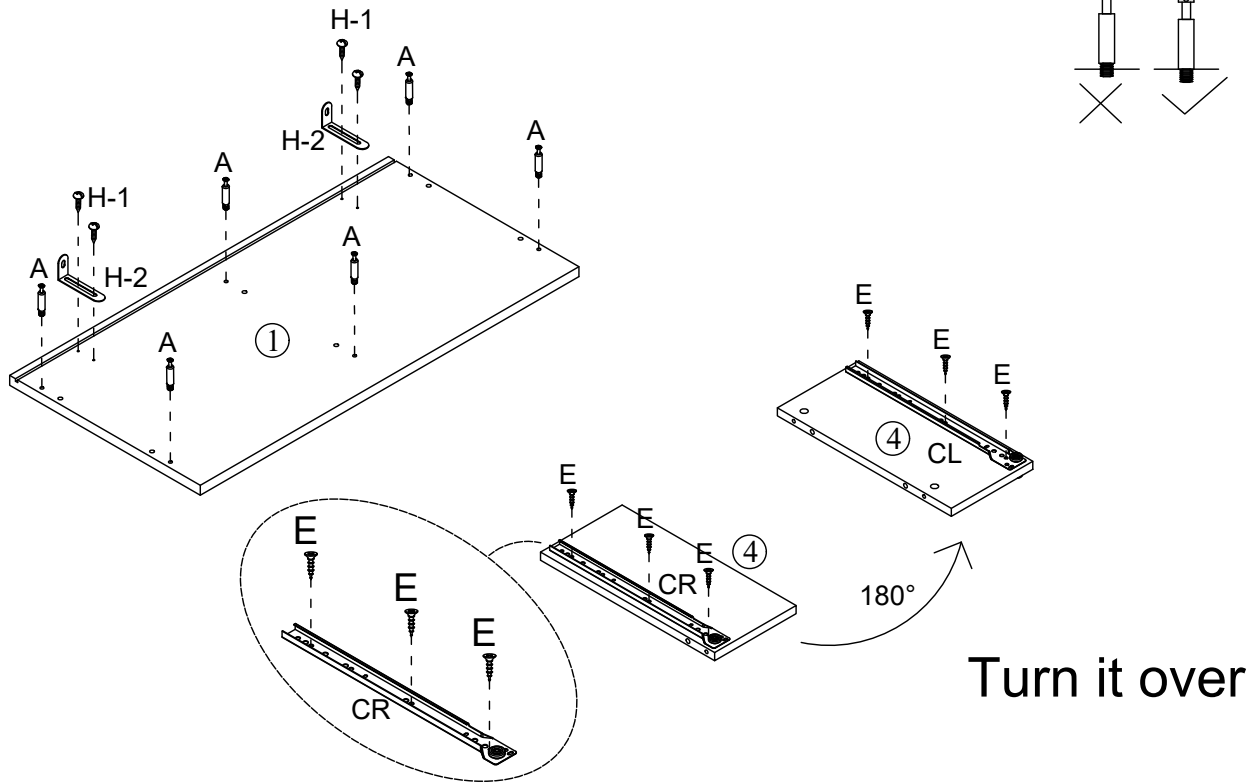


**x3**

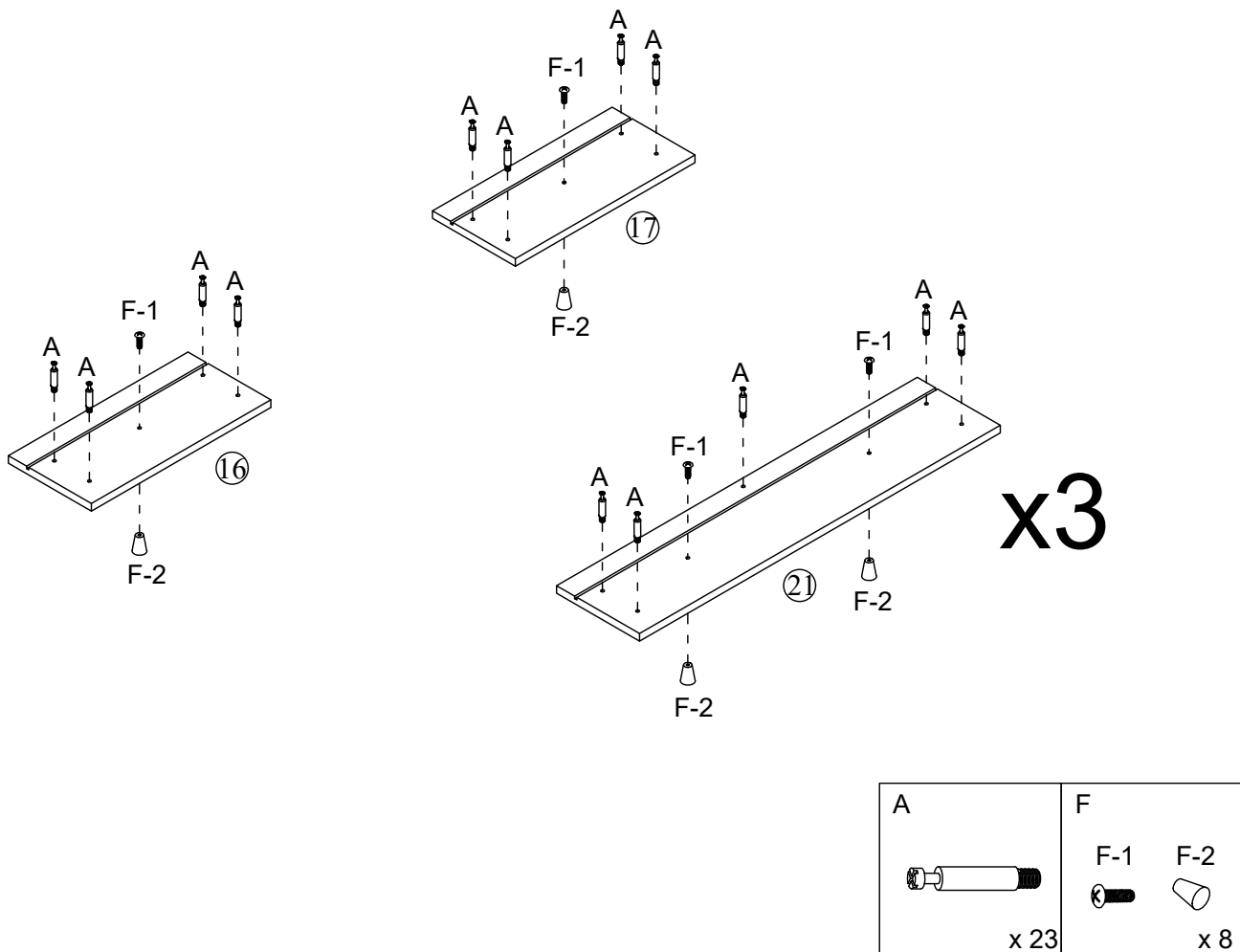
|  |  |  |   |
|--|--|--|---|
| 1<br><br>660x400x12 x1    | 2<br><br>897x387x12 x1    | 3<br><br>642x368mm x1    | 4<br><br>370x185x12 x1   |
| 5<br><br>633x80x12 x1     | 6<br><br>633x60x12 x1     | 7<br><br>633x60x12 x2    | 8<br><br>642x368mm x1    |
| 9<br><br>897x387x12 x1    | 10<br><br>633x100x12 x1   | 11<br><br>633x100x12 x1  | 12<br><br>350x150x12 x5  |
| 13<br><br>350x150x12 x5   | 14<br><br>262x150x12 x2   | 15<br><br>347x270mm x2   | 16<br><br>327x197x12 x1  |
| 17<br><br>327x197x12 x1 | 18<br><br>584x150x12 x3 | 19<br><br>338x50x12 x3 | 20<br><br>347x592mm x3 |
| 21<br><br>657x198x12 x3 |  |  |   |

|   |        |   |        |   |        |  |        |   |        |
|---|--------|---|--------|---|--------|--|--------|---|--------|
| A   | x 47+4 | B   | x 47+4 | C   | x 17+1 | D  | x 24+2 | E   | x 60+6 |
|    |        |    |        |    |        |   |        |  |        |
| Φ6X35mm   |        | Φ15X10mm  |        | Φ6X30mm   |        | Φ4X35mm  |        | Φ3X12mm   |        |
| F   | x 8    | G   | x 8    | H   | x 2    | I  | x 2    | J   | x 4    |
| F-1  F-2  |        | G-1  G-2  |        | H-1  H-2  |        | I-1  I-2  |        |  |        |
| Φ4X18mm   |        | Φ3X16mm   |        | Φ4X12mm   |        | Φ4X45mm  |        | 25X12mm   |        |
| CL  | x 5    | CR  | x 5    | DL  | x 5    | DR   | x 5    | x 4   |        |
|    |        |    |        |    |        |   |        |  |        |
| L350  |        | L350  |        | L350  |        | L350   |        | Spare   |        |

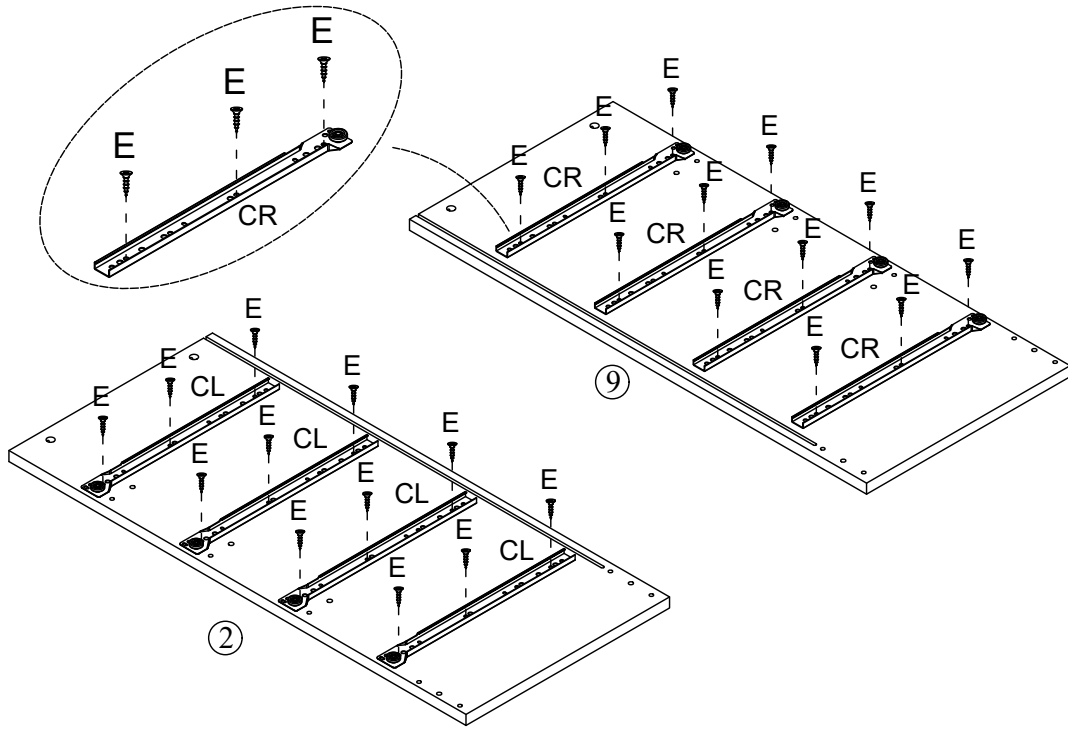
1






2

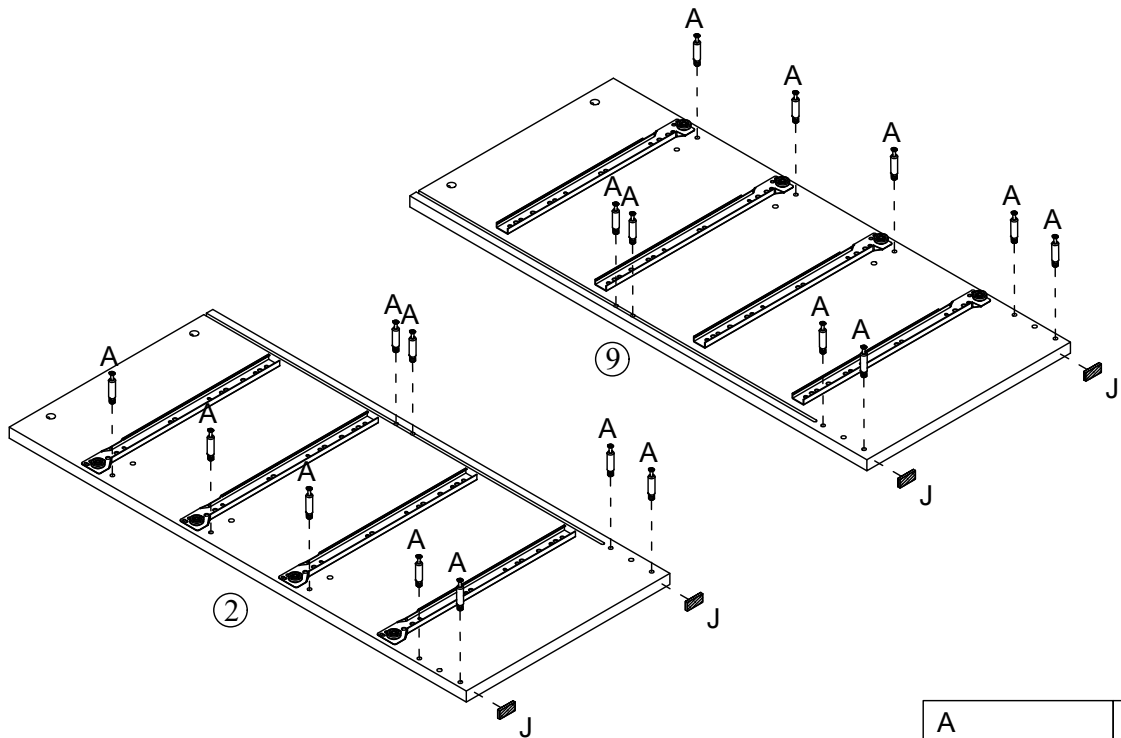


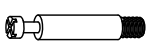

3



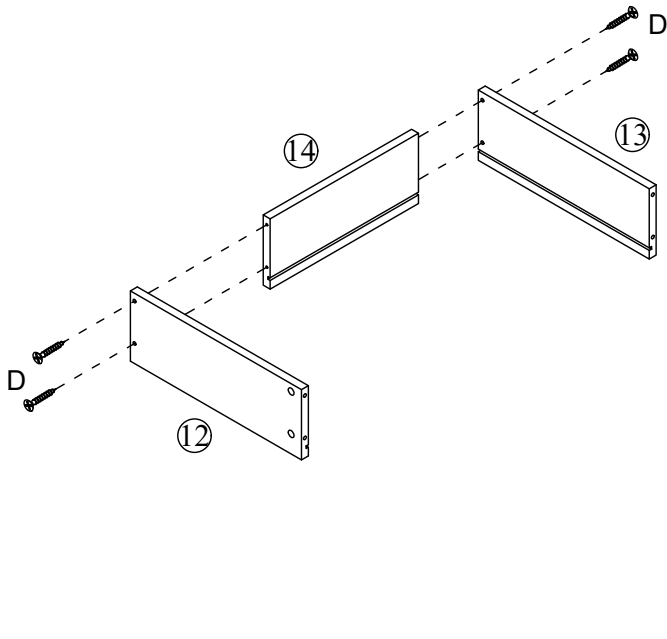
|  |   |   |
|--|---|---|
| <p>E</p>  <p>x 24</p> | <p>CL</p>  <p>x 4</p> | <p>CR</p>  <p>x 4</p> |
|--|---|---|

4

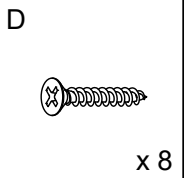


|  |   |
|--|---|
| <p>A</p>  <p>x 18</p> | <p>J</p>  <p>x 4</p> |
|--|---|

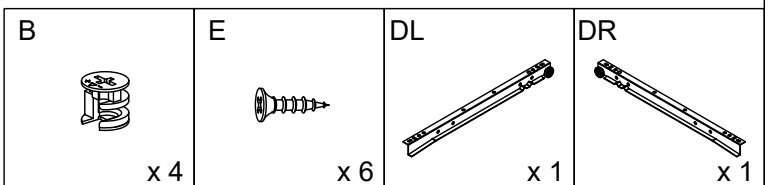
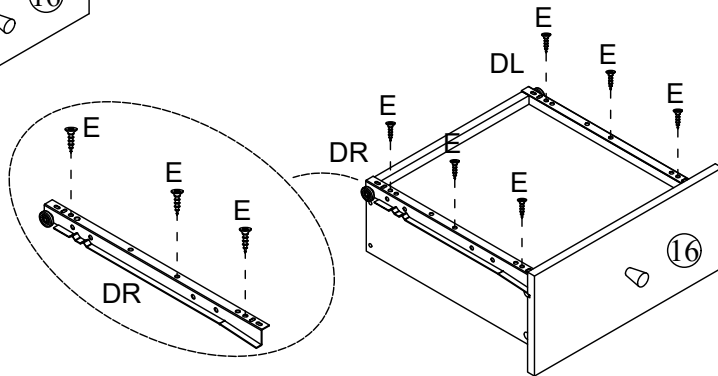
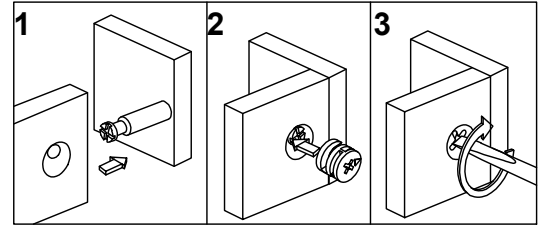
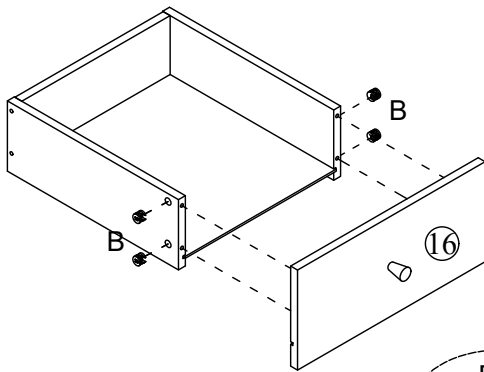
5



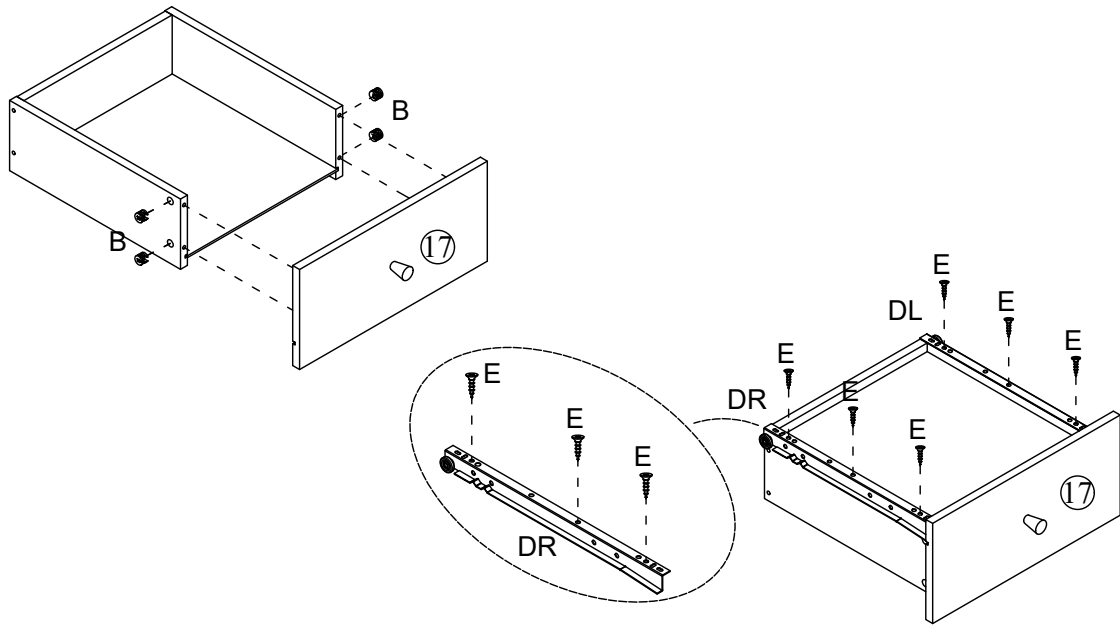
x2



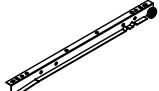
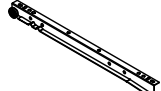


6

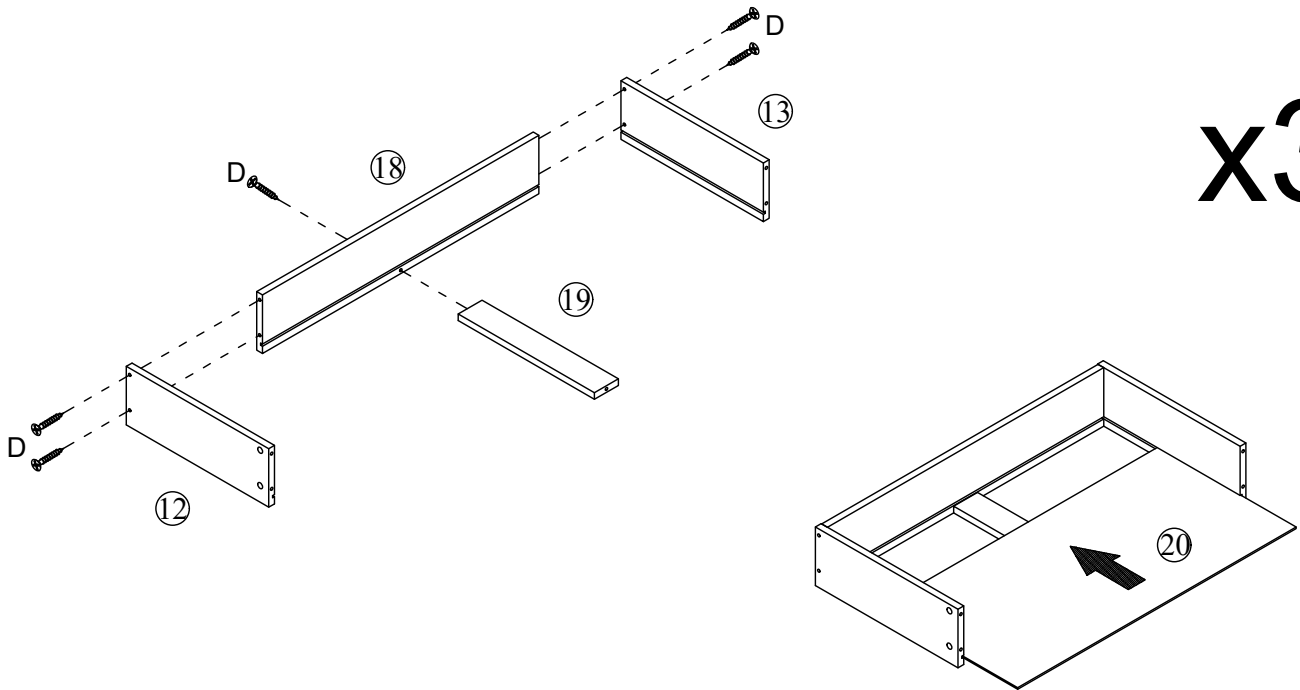


7




|  |   |   |   |
|--|---|---|---|
| <p>B</p>  <p>x 4</p> | <p>E</p>  <p>x 6</p> | <p>DL</p>  <p>x 1</p> | <p>DR</p>  <p>x 1</p> |
|--|---|---|---|

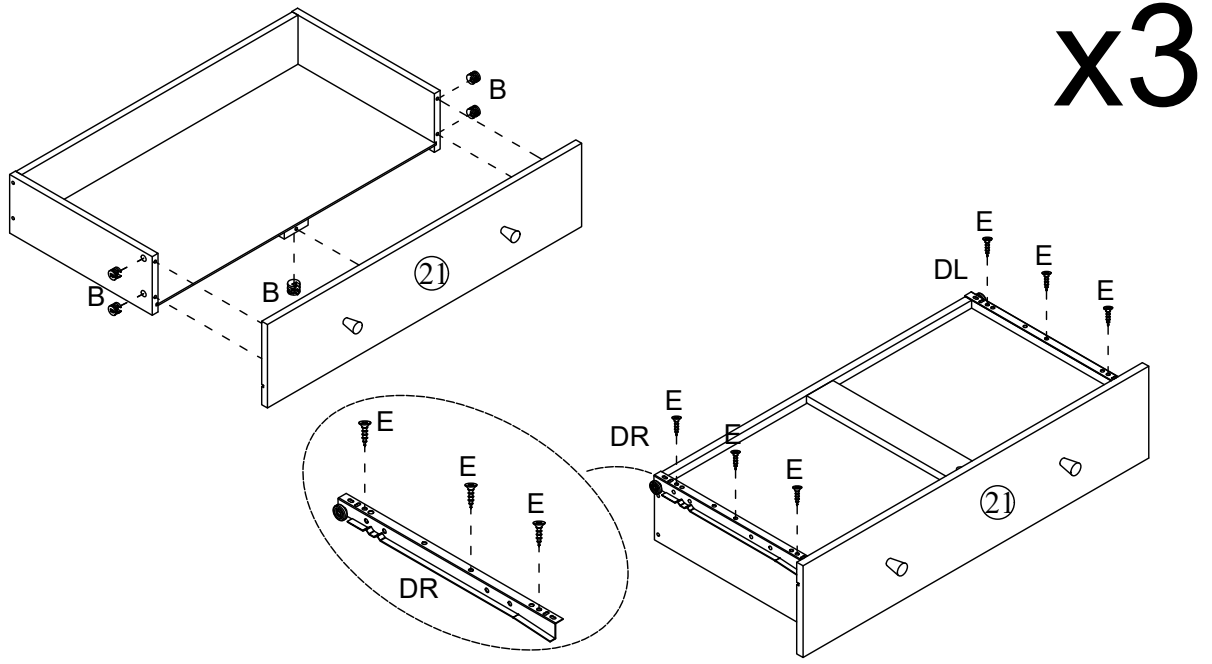
8



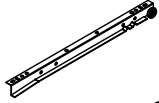
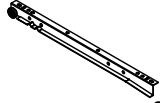


x3

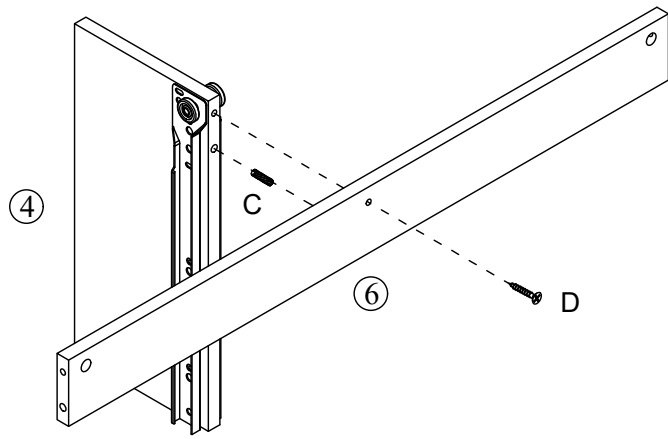
|  |
|--|
| <p>D</p>  <p>x 15</p> |
|--|


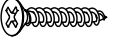
9



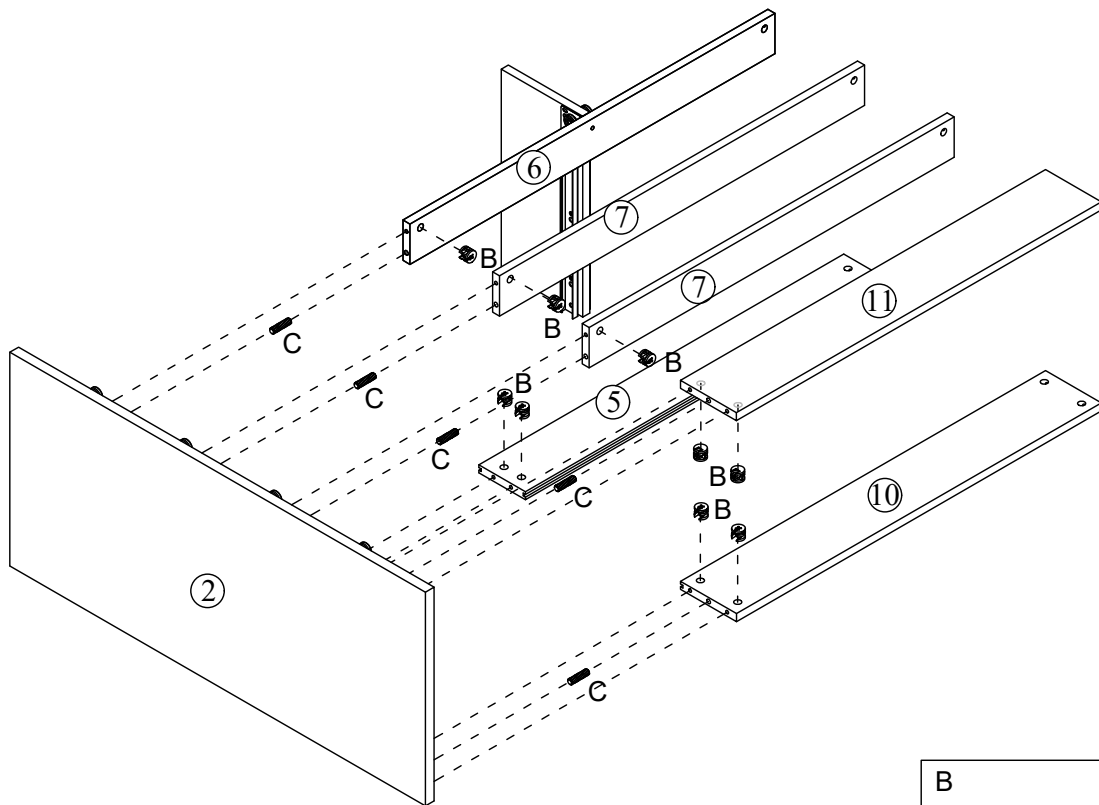
|   |   |   |   |
|---|---|---|---|
| <p>B</p>  <p>x 15</p> | <p>E</p>  <p>x 18</p> | <p>DL</p>  <p>x 3</p> | <p>DR</p>  <p>x 3</p> |
|---|---|---|---|



10



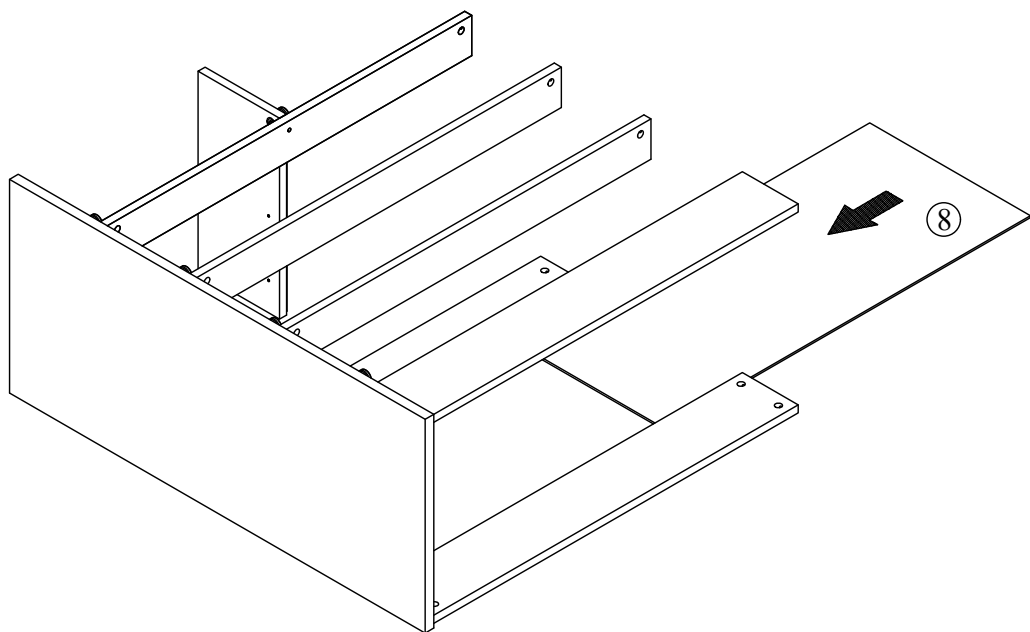
|   |   |
|---|---|
| <p>C</p>  <p>x 1</p> | <p>D</p>  <p>x 1</p> |
|---|---|

11

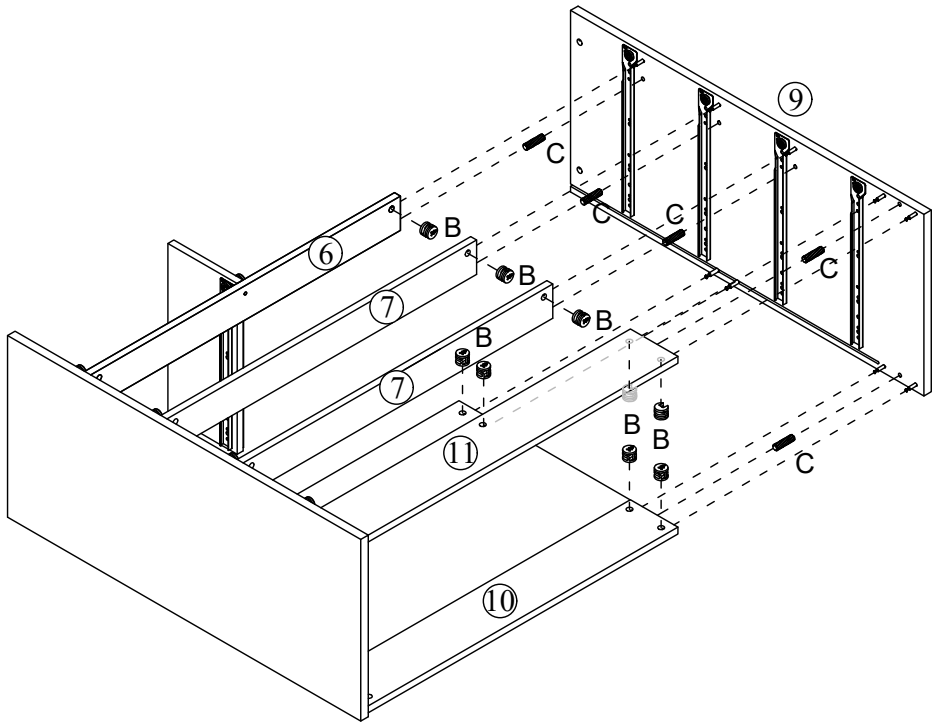




|  |   |
|--|---|
| B  | C   |
|  |  |
| x 9  | x 5   |

12

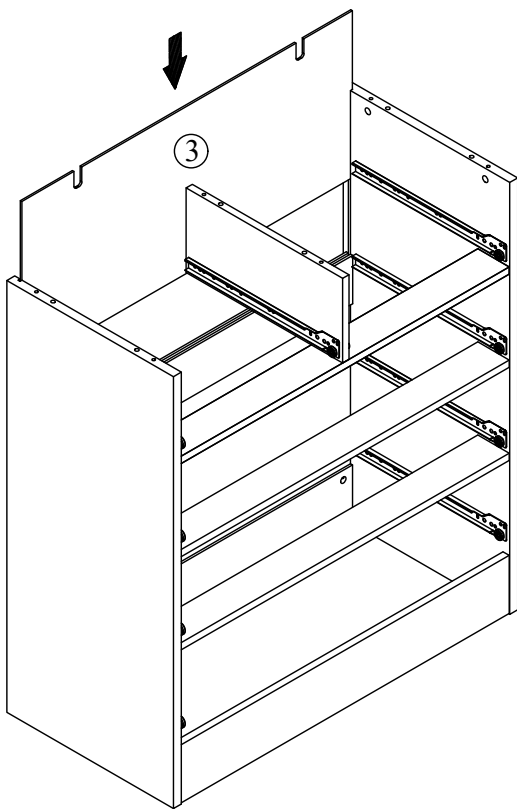


13

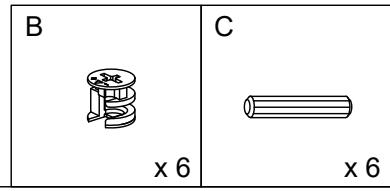
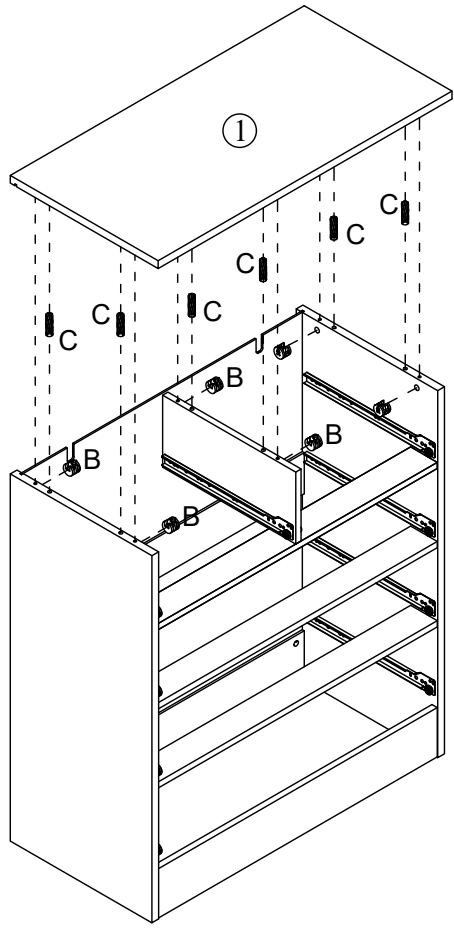


|  |   |
|--|---|
| B<br><br>x 9 | C<br><br>x 5 |
|--|---|

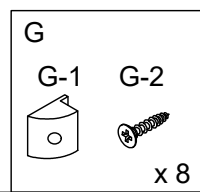
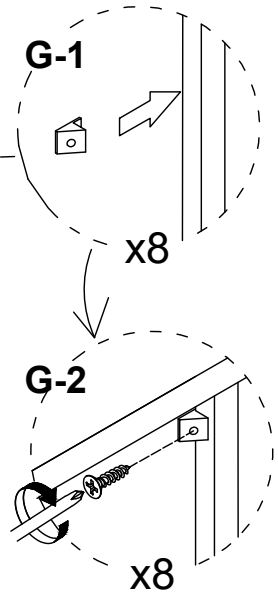
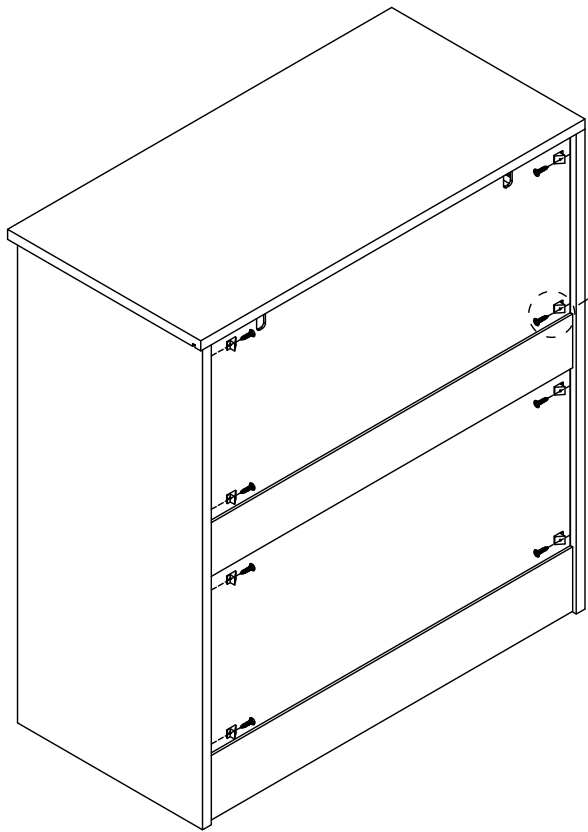
14



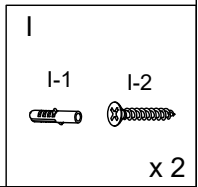
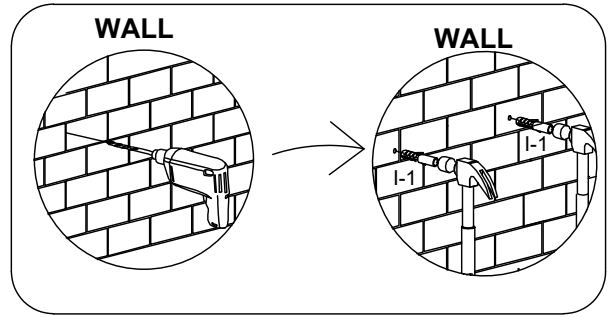
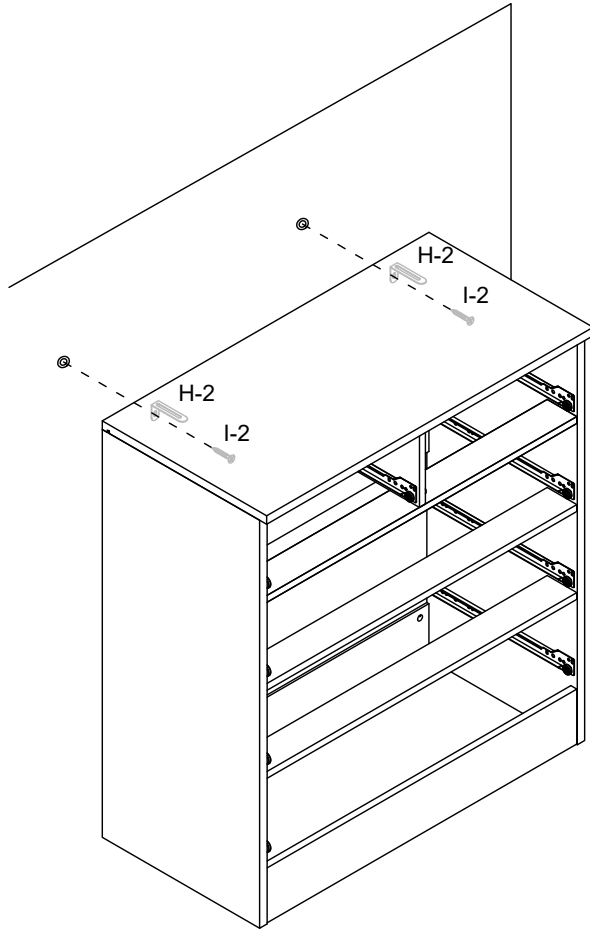
15



16



17



18

