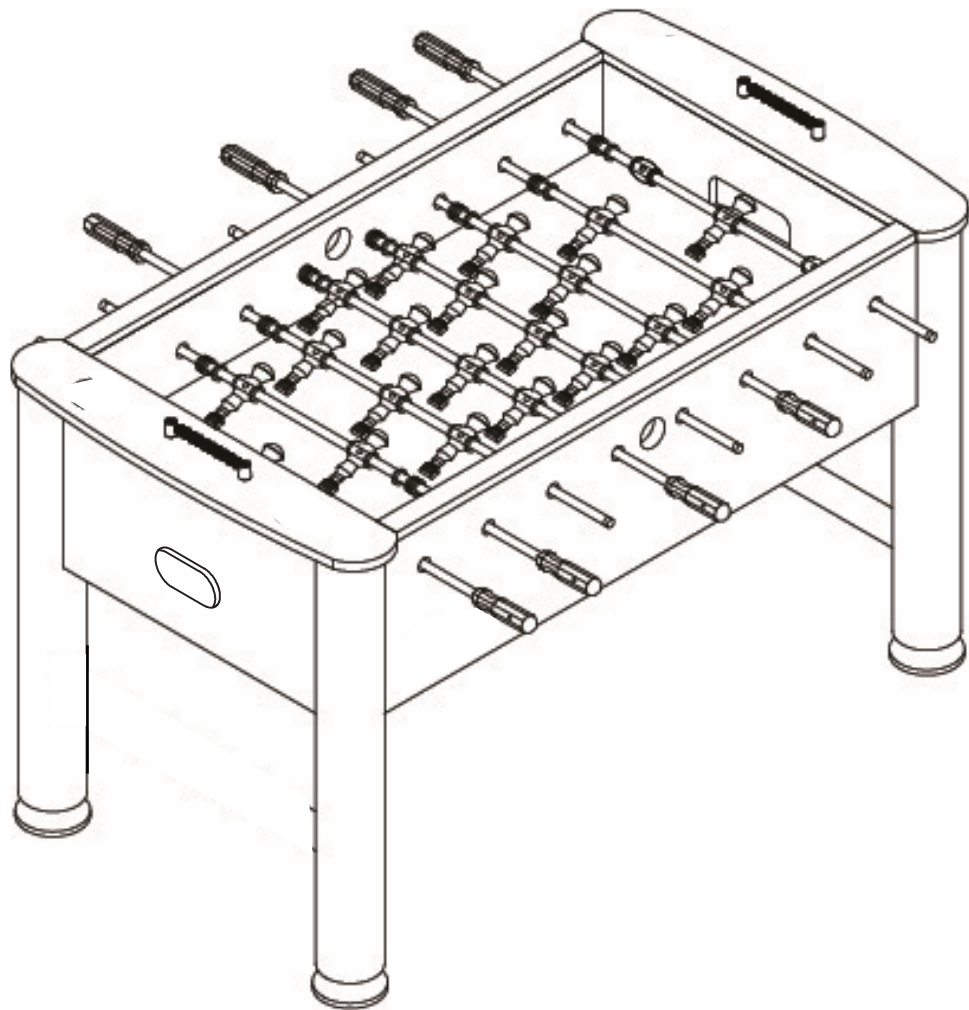


TABLE SOCCER

ASSEMBLY INSTRUCTIONS

MODEL NO.: **GT23006**

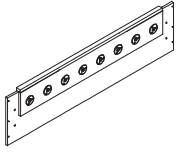
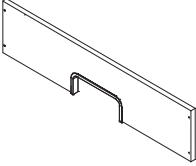
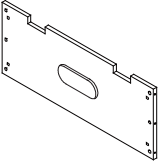
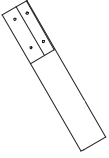
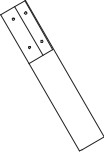
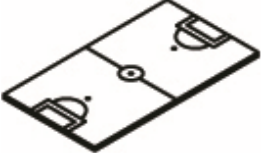
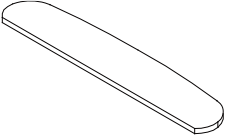
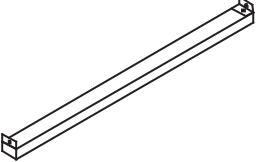
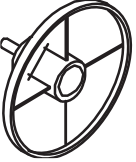
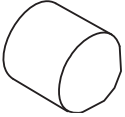
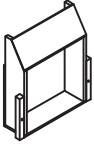

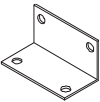
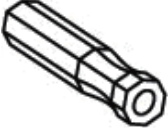

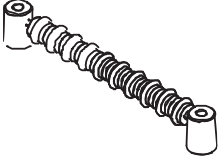




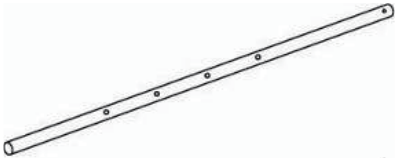



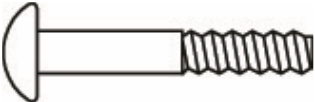




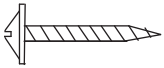
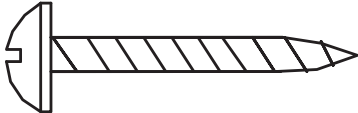
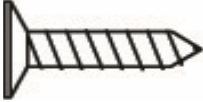
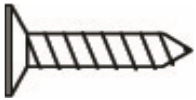
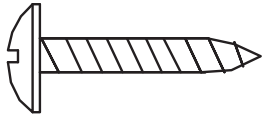
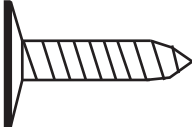

Missing parts, damages, and any other problems, please contact us via email.



raykeepgoods@outlook.com

PARTS LIST

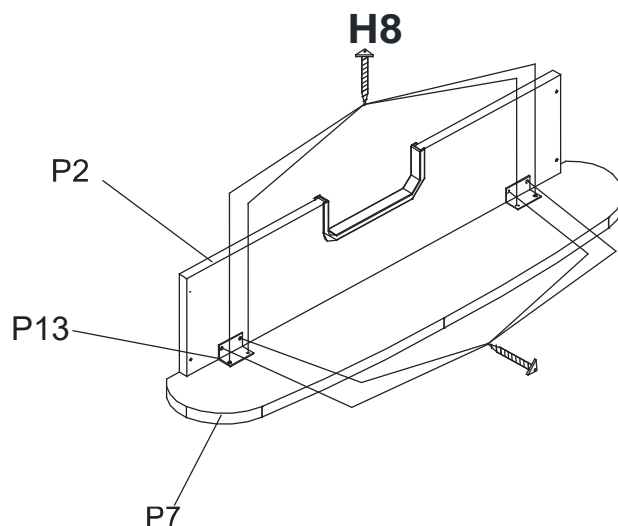
| | | |
|--|---|---|
|  <p>P1: SIDE PANEL X 2</p> |  <p>P2: GOAL END BOARD X 2</p> |  <p>P3: END PANEL X 2</p> |
|  <p>P4: RIGHT LEG X 2</p> |  <p>P5: LEFT LEG X 2</p> |  <p>P6: PLAYFIELD X 1</p> |
|  <p>P7: TOP RAIL BOARD X 2</p> |  <p>P8: PLAYFIELD SUPPORT BRACE X 2</p> |  <p>P9: LEG LEVELER X 4</p> |
|  <p>P10: ROD END CAP X 8</p> |  <p>P11: GOAL BOX X 2</p> |  <p>P12: BALL ENTRY CUP X 2</p> |
|  <p>P13: BRACKET X 8</p> |  <p>P14: HAND GRIP X 8</p> |  <p>P15: SOCCER BALL X 4</p> |
|  <p>P16: SCORER X 2</p> | | |

| | | |
|---|--|--|
|  <p>C1: 1&3 PLAYER ROD X4</p> |  <p>C2: 2 PLAYER ROD X 2</p> |  <p>C3: 5 PLAYER ROD X 2</p> |
|  <p>C4: RUBBER BUSHING X 16</p> |  <p>C5: AWAY PLAYER X13</p> |  <p>C6: WASHER X 16</p> |
|  <p>C7: PLAYER SCREW X 26</p> |  <p>C8: PLAYER NUT X 26</p> |  <p>C9: HOME PLAYER X13</p> |
| |  <p>H1: BOLT X 16</p> |  <p>H2: WASHER X16</p> |
|  <p>H3: SCREW X 4</p> |  <p>H4: SCREW X 12</p> |  <p>H5: SCREW X 18</p> |
|  <p>H6: SCREW X 4</p> |  <p>H7: SCREW X 8</p> |  <p>H8: SCREW X 42</p> |
|  <p>H9: ALLEN KEY X1</p> | | |

WARNING : TWO ADULTS NEEDED TO ASSEMBLE THIS TABLE

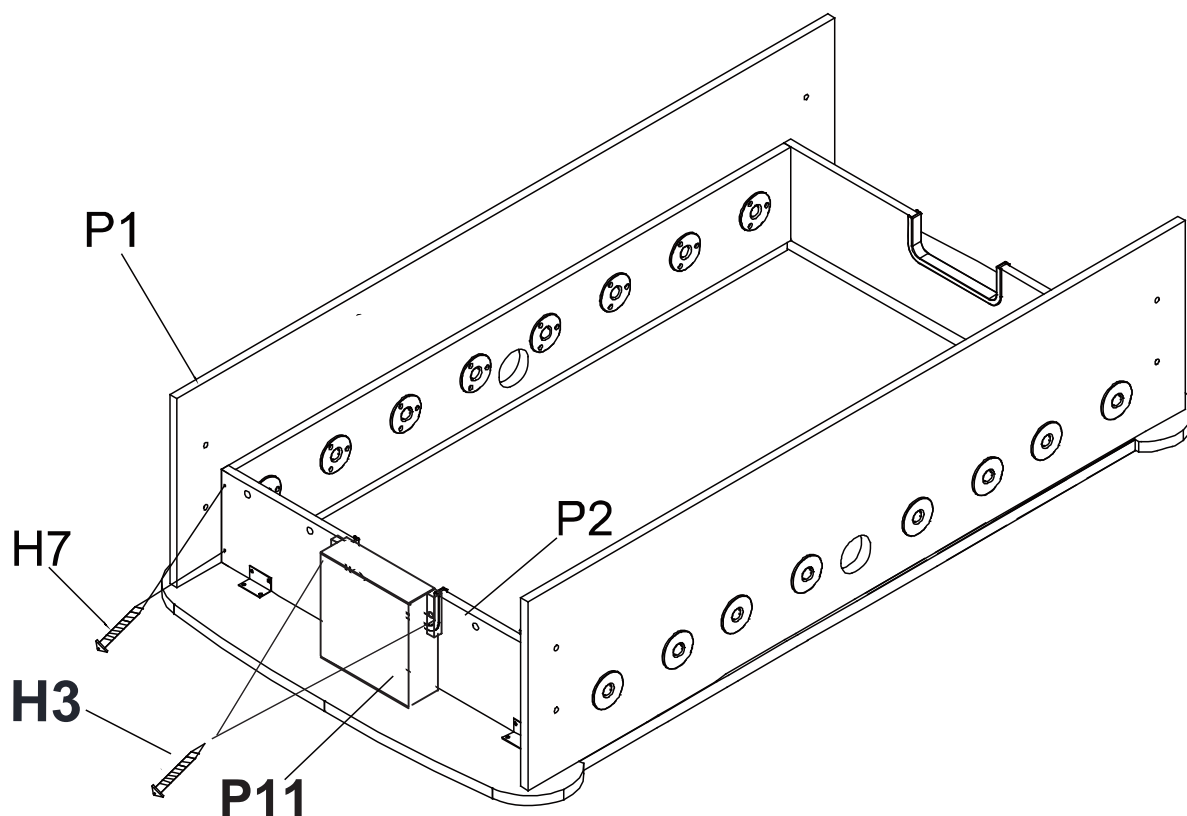
STEP 1

ASSEMBLE THE END SECTION. ATTACH THE GOAL END BOARD(P2) TO THE TOP RAIL BOARD(P7) USING THE BRACKETS (P13) AND SCREWS (H8).



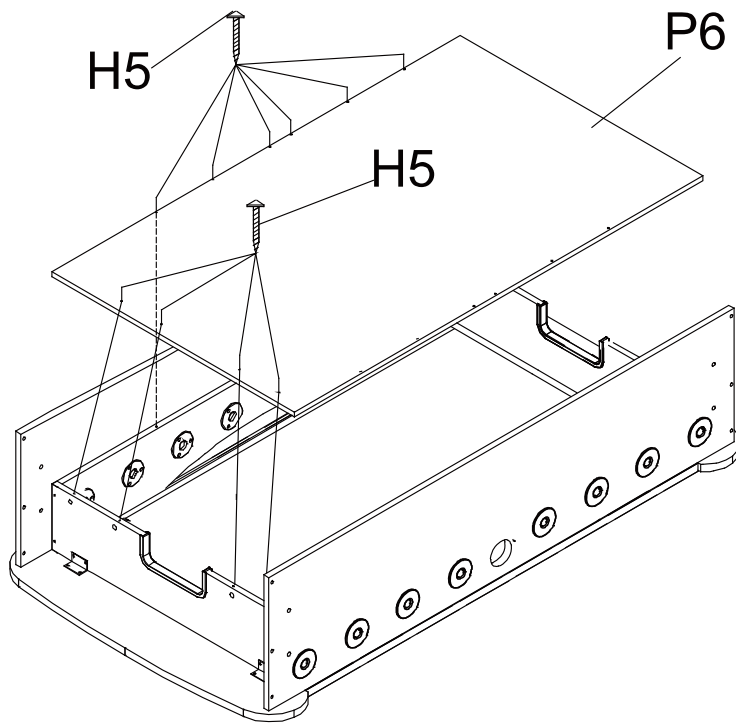
STEP 2

ATTACH THE END SECTION TO THE SIDE PANEL(P1) USING SCREWS (H7)



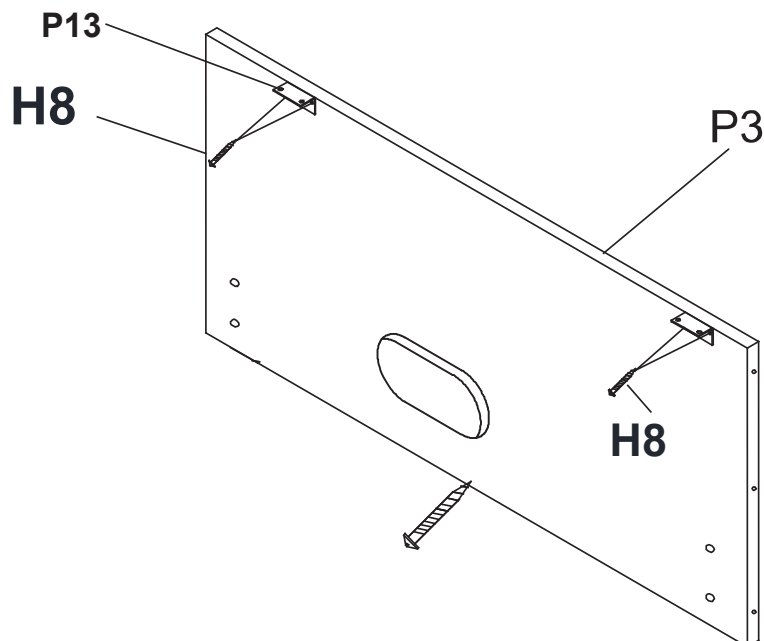
STEP 3

THE PLAYING FIELD(P3) ON THE SIDE
PANELS(P1) WITH THE GRAPHICS FACING DOWN WITH THE SCREWS(H5) .



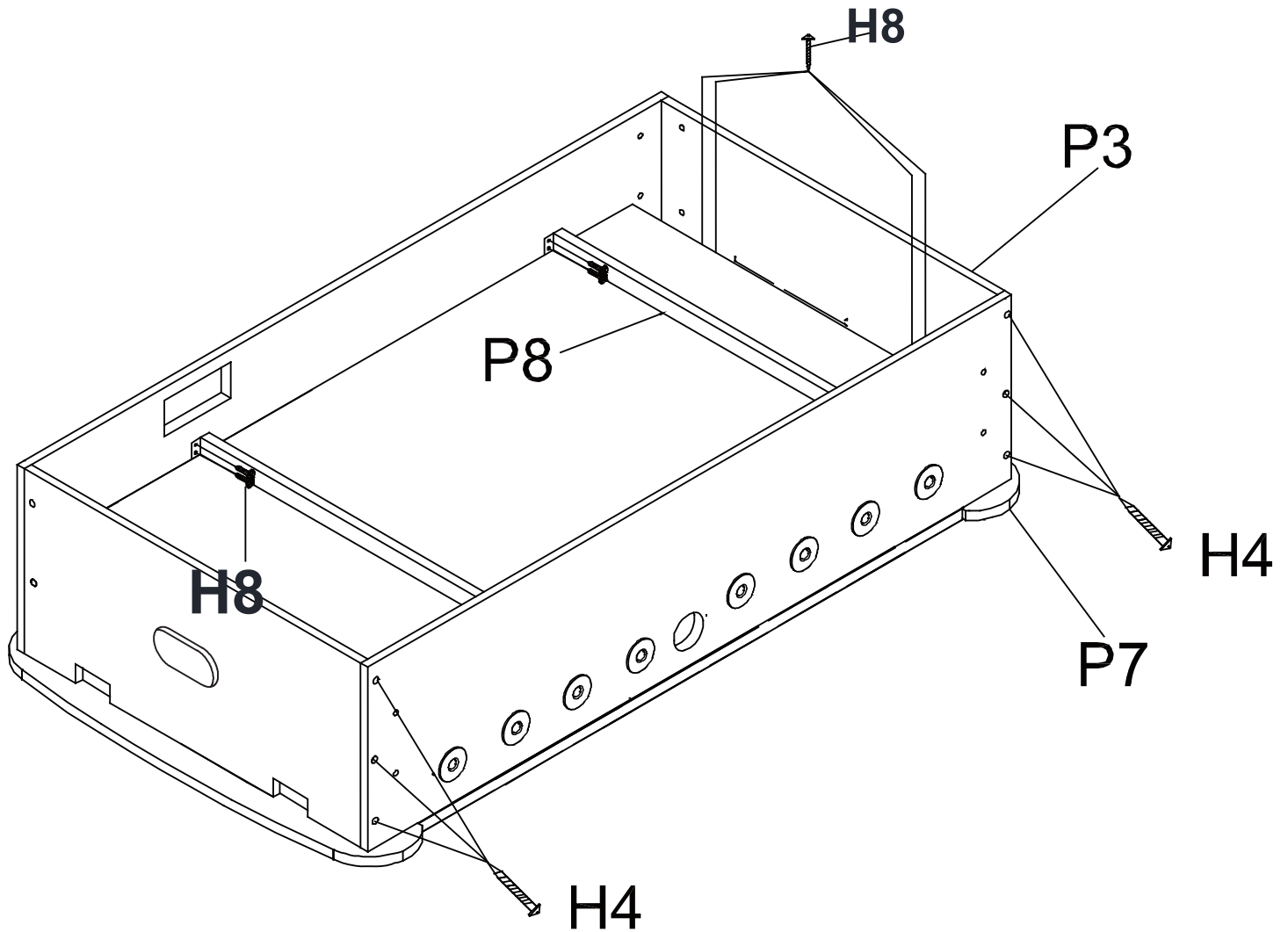
STEP 4

ATTACH THE BRACKETS(P13) TO THE END PANEL (P3) USING SCREWS
(H8).FOLLOW DIAGRAM FOR PROPER PLACEMENT.NEXT



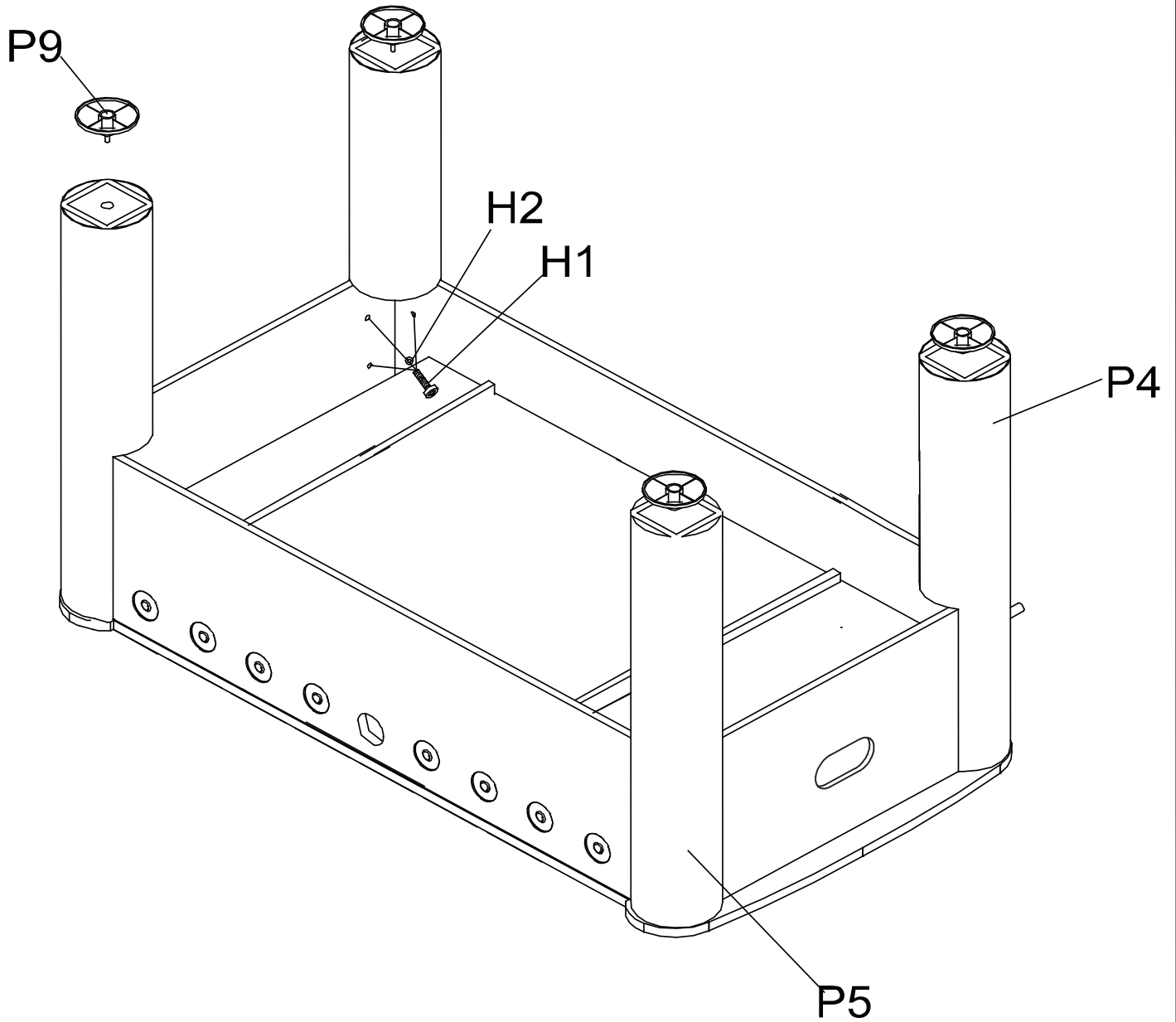
STEP 5

ATTACH THE END PANELS (P3) TO THE MAIN FRAME OF THE CABINET USING SCREWS (H8) AND SCREWS (H4). PLACE THE FIELD SUPPORTS(P8) ON THE PLAYING FIELD WITH THE WITH SCREWS(H8).



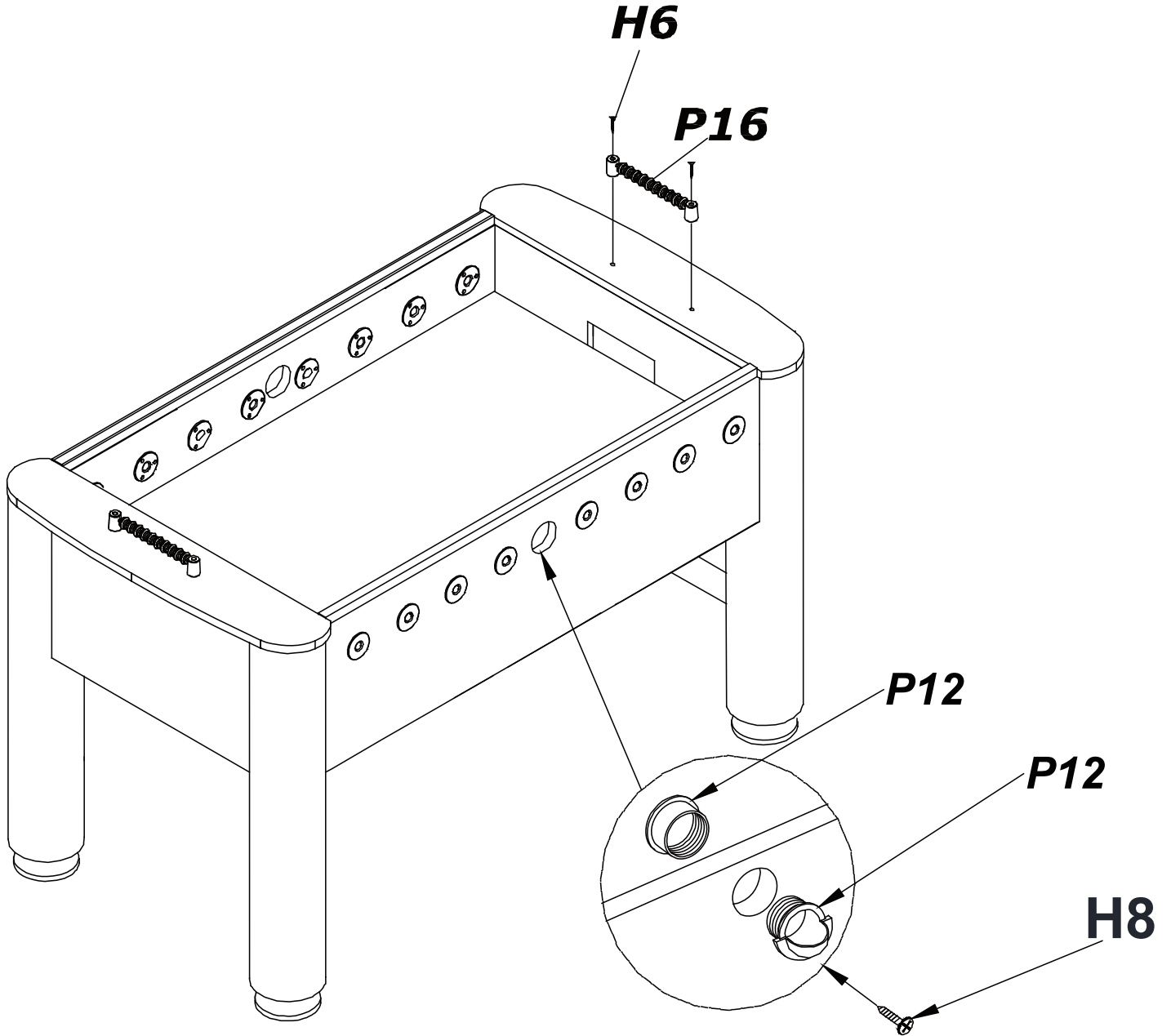
STEP 6

**ATTACH THE LEGS (P4) AND (P5) USING BOLTS (H1) AND WASHERS (H2).
ATTACH THE LEG LEVELERS (P9) INTO EACH LEG.**



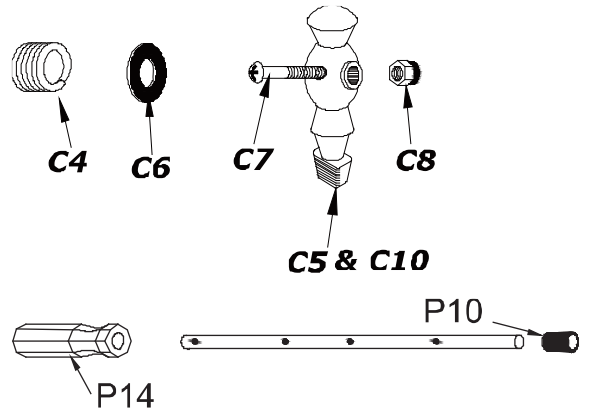
STEP 7

WITH THE HELP OF ANOTHER ADULT, CAREFULLY FLIP TABLE OVER TO PROPER PLAYING POSITION . ATTACH MANUAL SCORING UNITS (P16) TO EACH TOP RAIL USING SCREWS (H6) . NEXT ATTACH CUP HOLDER(P12) INTO THE END TOP RAIL BOARD . ATTACH THE BALL ENTRY CUP(P12) WITH THE SCREWS(H8)

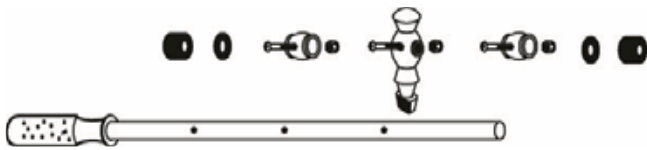


STEP 8

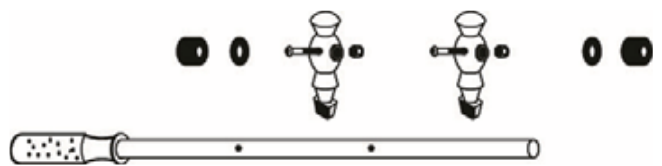
FLIP THE HANDLES(P14) ONTO ROD ENDS THAT HAVE A HOLE. INSERT ROD THROUGH ONE SIDE PANEL HOLE ONLY, SLIDE ON PIECES AS SHOWN SEQUENCE AND THEN THROUGH THE OTHER SIDE PANEL HOLE. ATTACH THE ROD CAPS(P10) TO EACH END OF ROD.



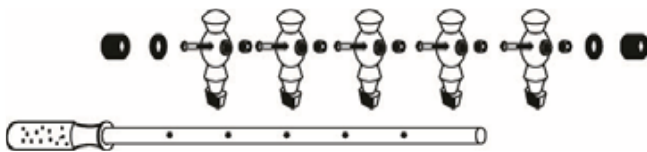
1 PLAYER ROD



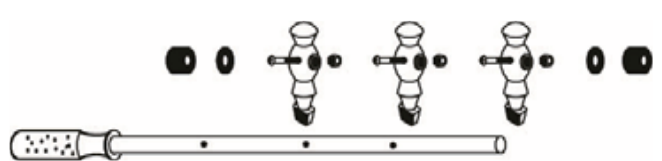
2 PLAYER ROD



5 PLAYER ROD



3 PLAYER ROD



ONCE YOU HAVE COMPLETED ONE SIDE OF TABLE, REPEAT THE SAME SEQUENCE ON THE OTHER SIDE OF TABLE.

