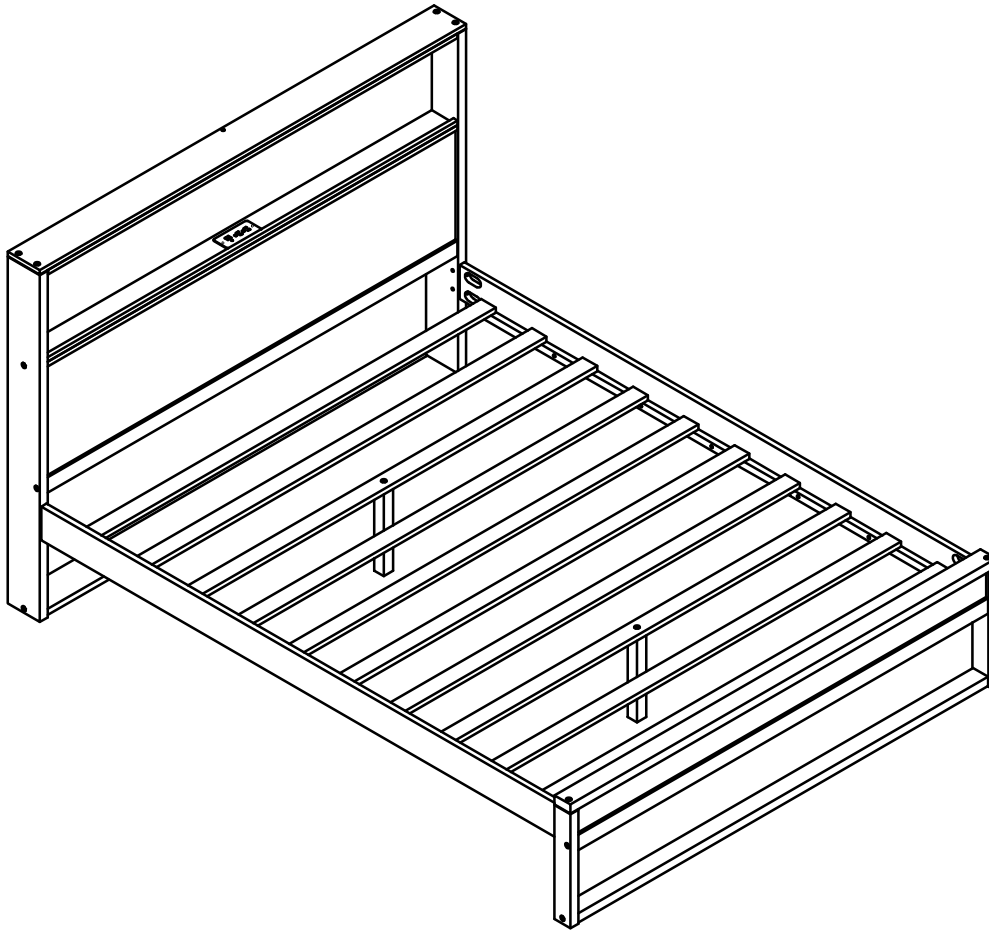


ASSEMBLY INSTRUCTION

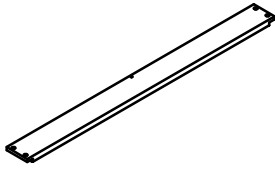
SKU CODE: (WF295304-WF295305)



1. Follow the information on the warning label appearing on the upper bunk end structure and on the carton... Do not remove warning label from bed.
2. Always use the recommended size mattress or mattress support, or both, to help prevent the likelihood of entrapment or falls.
3. Surface of mattress must be at least 5 inches below the upper edge of guard rails.
4. Do not allow children under 6 years to use the upper bunk.
5. Prohibit more than one person on upper bunk.
6. Periodically check and ensure that the guardrail, ladder, and other components are in their proper position, free from damage, and that all connectors are tight.
7. Do not allow horseplay on or under the bed and prohibit jumping on the bed.
8. Always use the ladder for entering and leaving upper bunk.
9. Do not use substitute part. Contact the manufacturer or dealer for replacement part.
10. Use of night light may provide added safety precaution for a child using the upper bunk.
11. If the bunk bed will be placed next to a wall, the guardrail that runs the full length of the bed should be placed against the wall to prevent entrapment between the bed and the wall.
12. Always use guardrail on both long sides of the upper bunk.
13. The use of water or sleep flotation mattresses is prohibited.
14. Keep these instruction for future reference.
15. Strangulation Hazard - Never attach or hang items to any part of the bunk bed that are not designed for use with the bed, for example, but not limited to hooks, belts and jump rores.
16. Trundle : Only use for mattress 6 inch.

Part List (Box 1-WF295304)

A1



Top Panel-1pc

A2



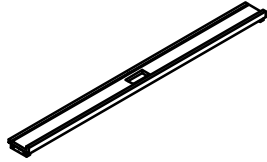
Leg- 1pc

A3



Leg- 1pc

A4



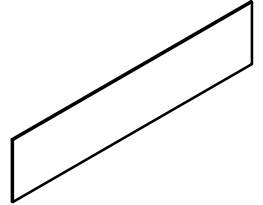
Panel-1pc

A5



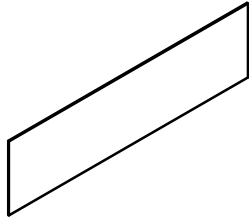
WoodBar-1pc

A6



Panel-1pc

A7



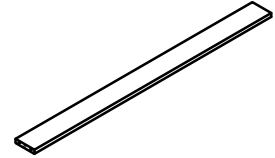
Panel-1pc

B2



Leg- 1pc

A9



WoodBar-1pc

B3



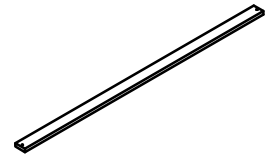
Leg- 1pc

B7



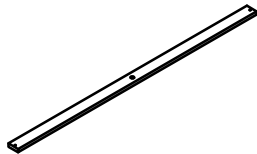
WoodBar-2pcs

B8



Slats-8pcs

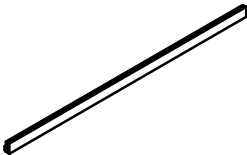
B9



Slats-2pcs

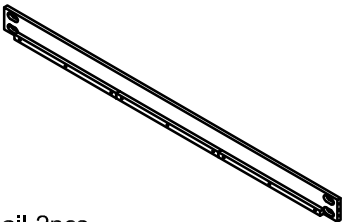
Part List & Hardware List (Box 2-WF295305)

A8



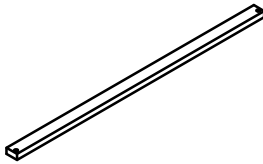
WoodBar-2pcs

B1



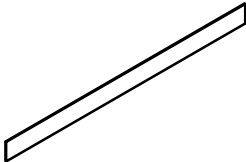
Side Rail-2pcs

B4



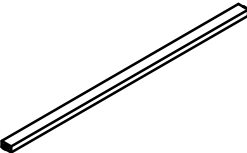
WoodBar-1pc

B5




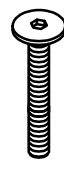
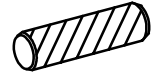
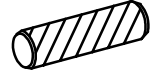




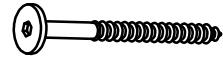

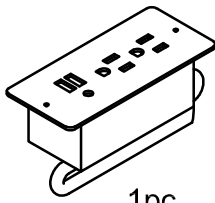


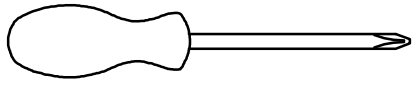
Panel-1pc

B6

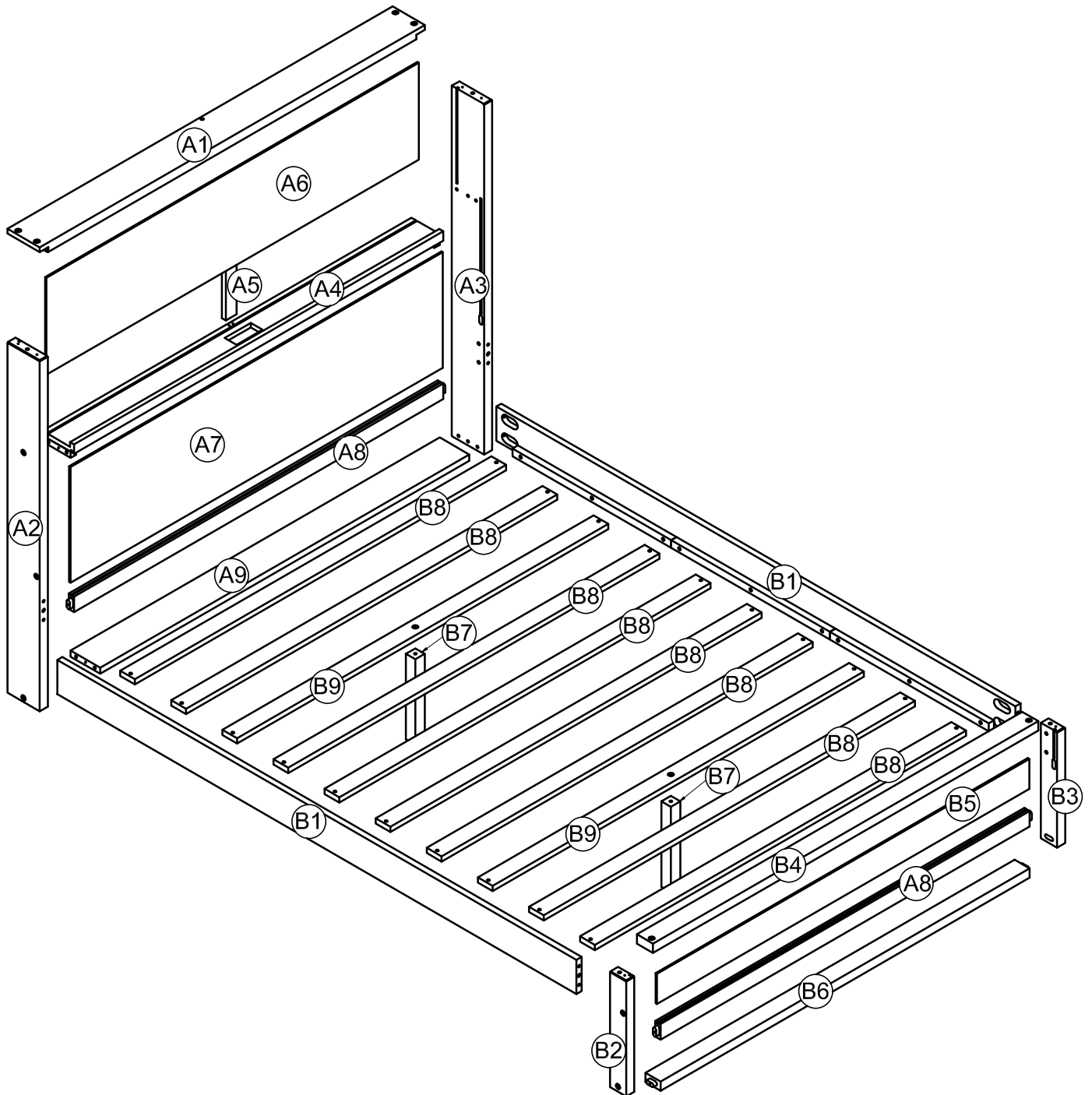


WoodBar-1pc

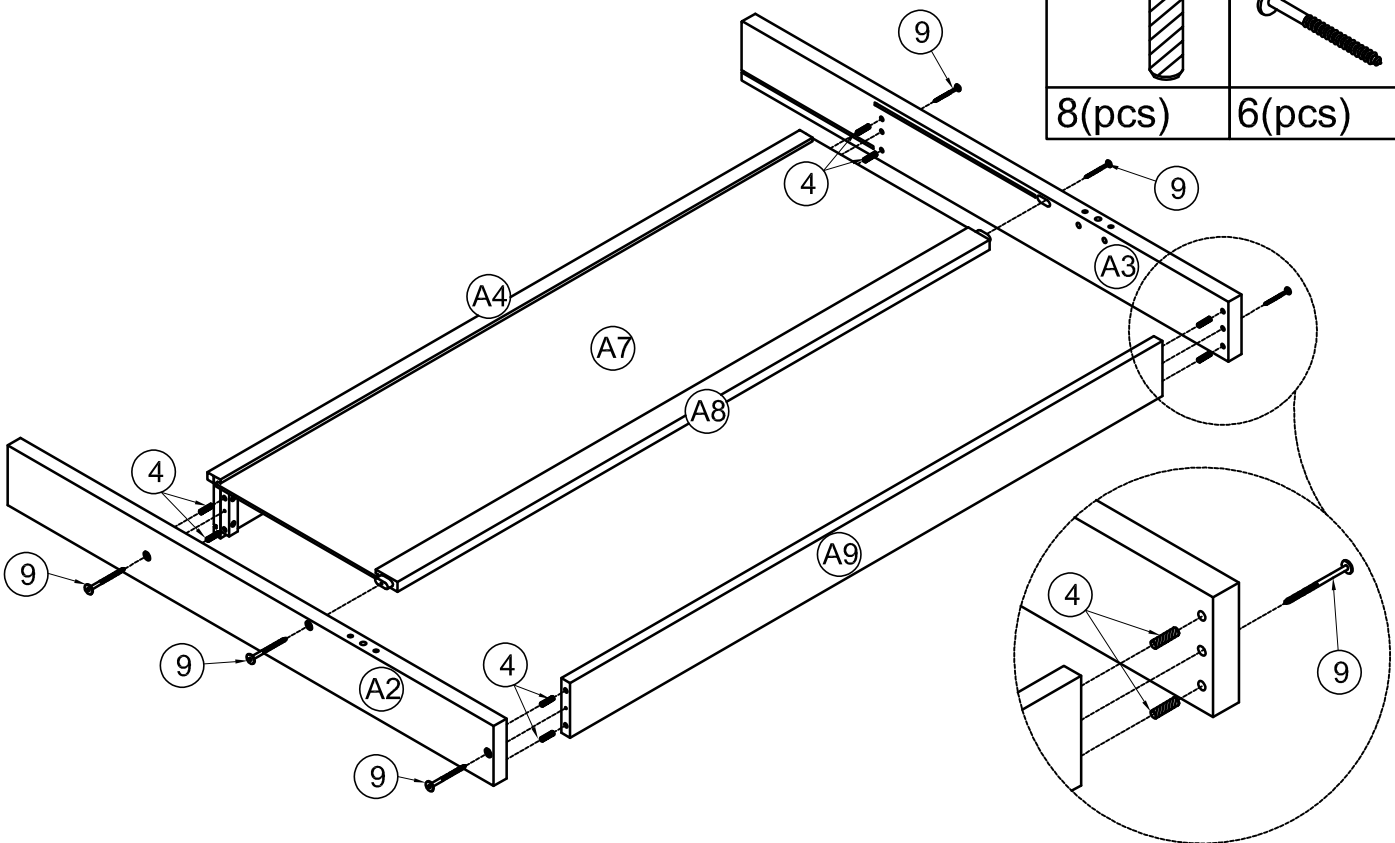
Hardware List (Box 2-WF295305)

<p>1</p>  <p>Ø1/4" x 30 mm Hex-Head bolts 2pcs</p>	<p>2</p>  <p>Ø1/4" x 50 mm Hex-Head bolts 8pcs</p>	<p>3</p>  <p>Ø8 x 30 mm Wood dowel 2pcs</p>
<p>4</p>  <p>Ø10 x 40 mm Wood dowel 16pcs</p>	<p>5</p>  <p>M4 x 30 mm Wood Screws 22pcs</p>	<p>6</p>  <p>8pcs</p>
<p>7</p>  <p>Allen Key 1pc</p>	<p>8</p>  <p>Screws 1/4" x40 4pcs</p>	<p>9</p>  <p>Screws 1/4" x50 10pcs</p>
<p>10</p>  <p>M3 x 15 mm Wood Screws 2pcs</p>	<p>11</p>  <p>1pc</p>	<p>12</p>  <p>Ø1/4" x 13 mm Horizontal-Hole bolts 8pcs</p>
<p>13</p>  <p>Screws 1/4" x60 2pcs</p>	 <p>Assembly Tools Required (Not Included)</p>	

ASSEMBLY INSTRUCTION

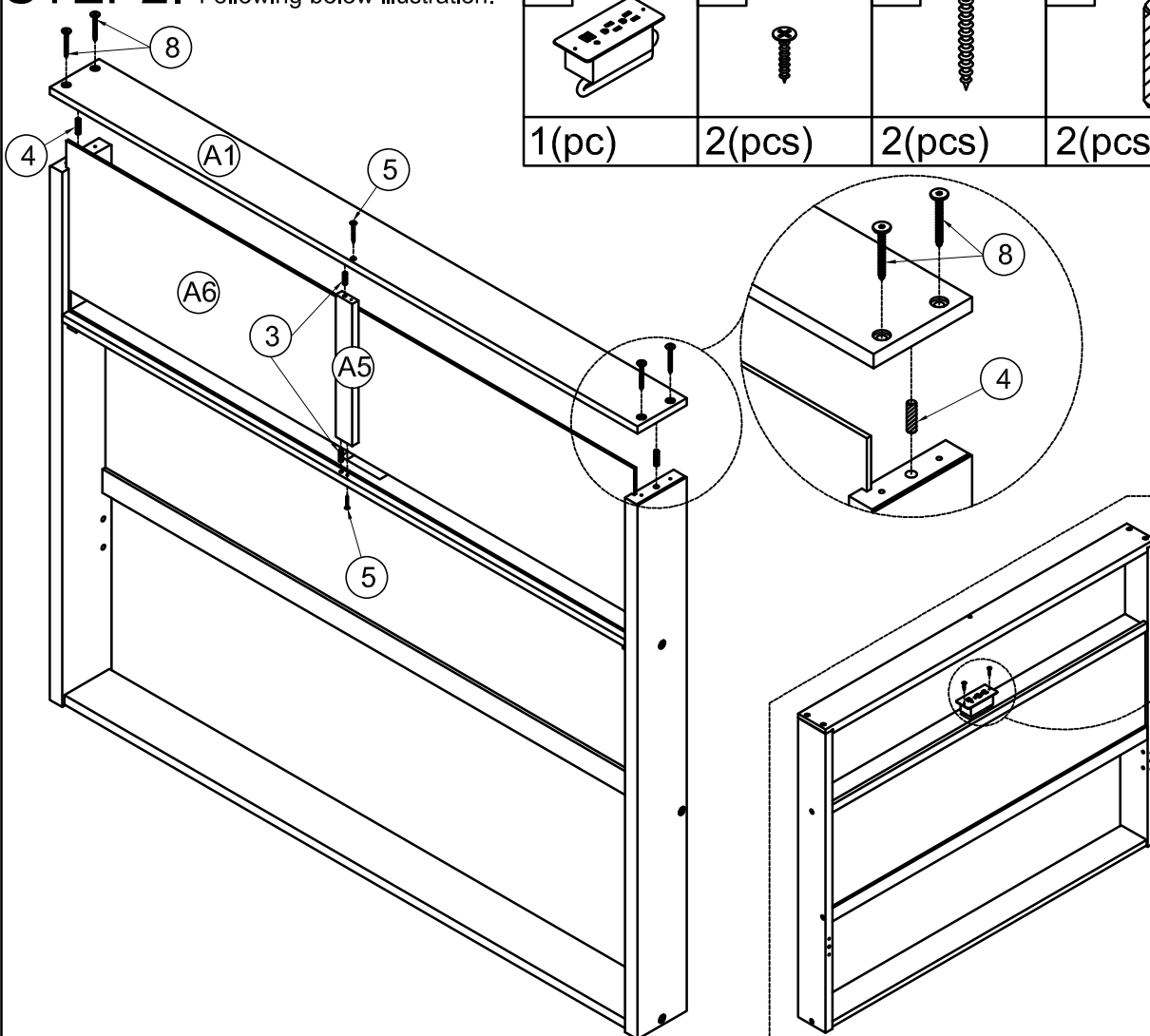


STEP1: Following below illustration.



4		9	
8(pcs)		6(pcs)	

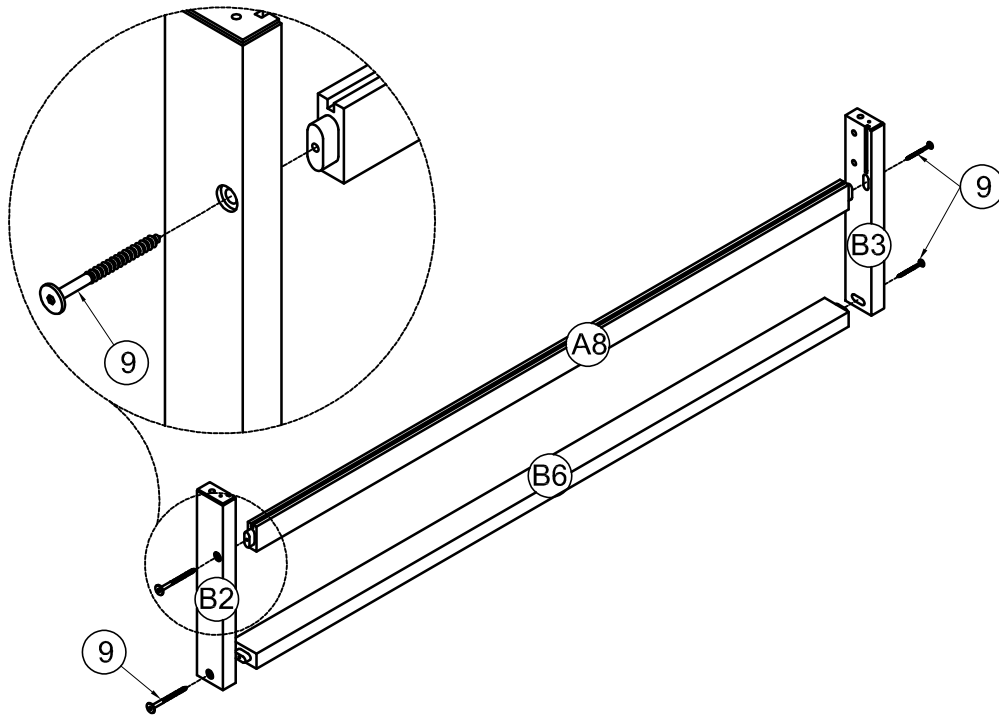
STEP2: Following below illustration.




11		10		5		3		8	
1(pc)		2(pcs)		2(pcs)		2(pcs)		4(pcs)	

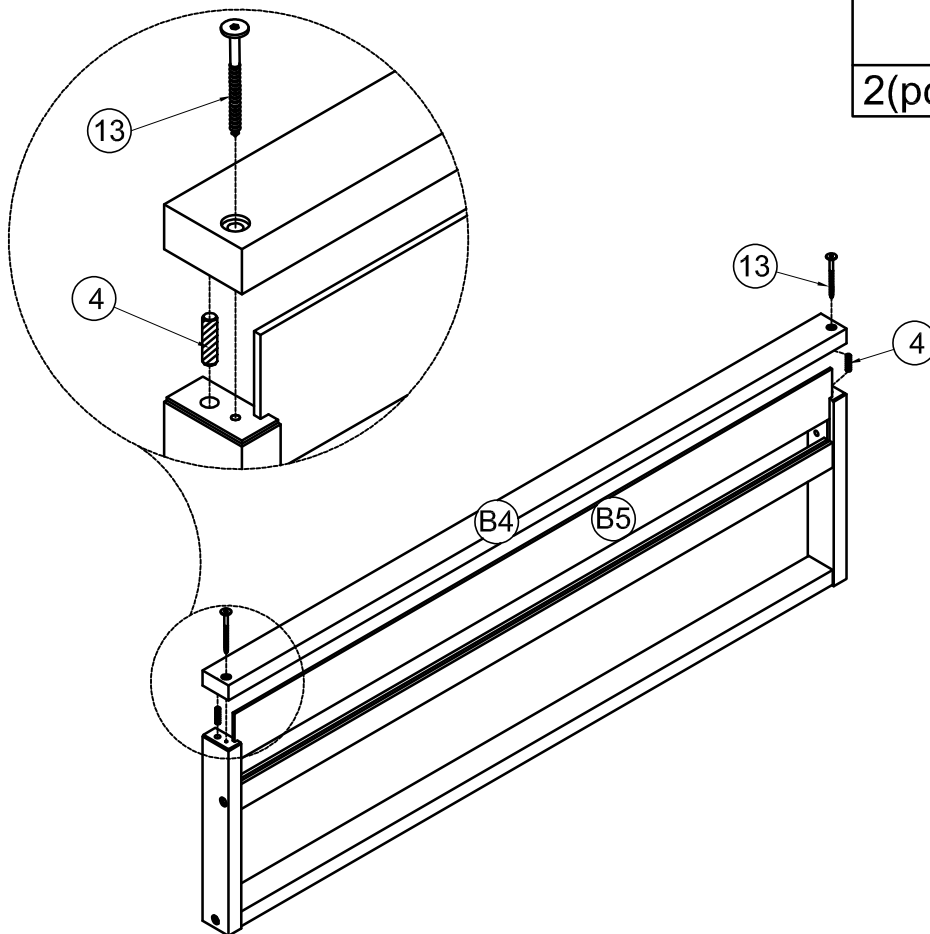
4	
2(pcs)	



STEP3: Following below illustration.






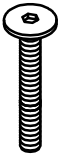
9

4(pcs)

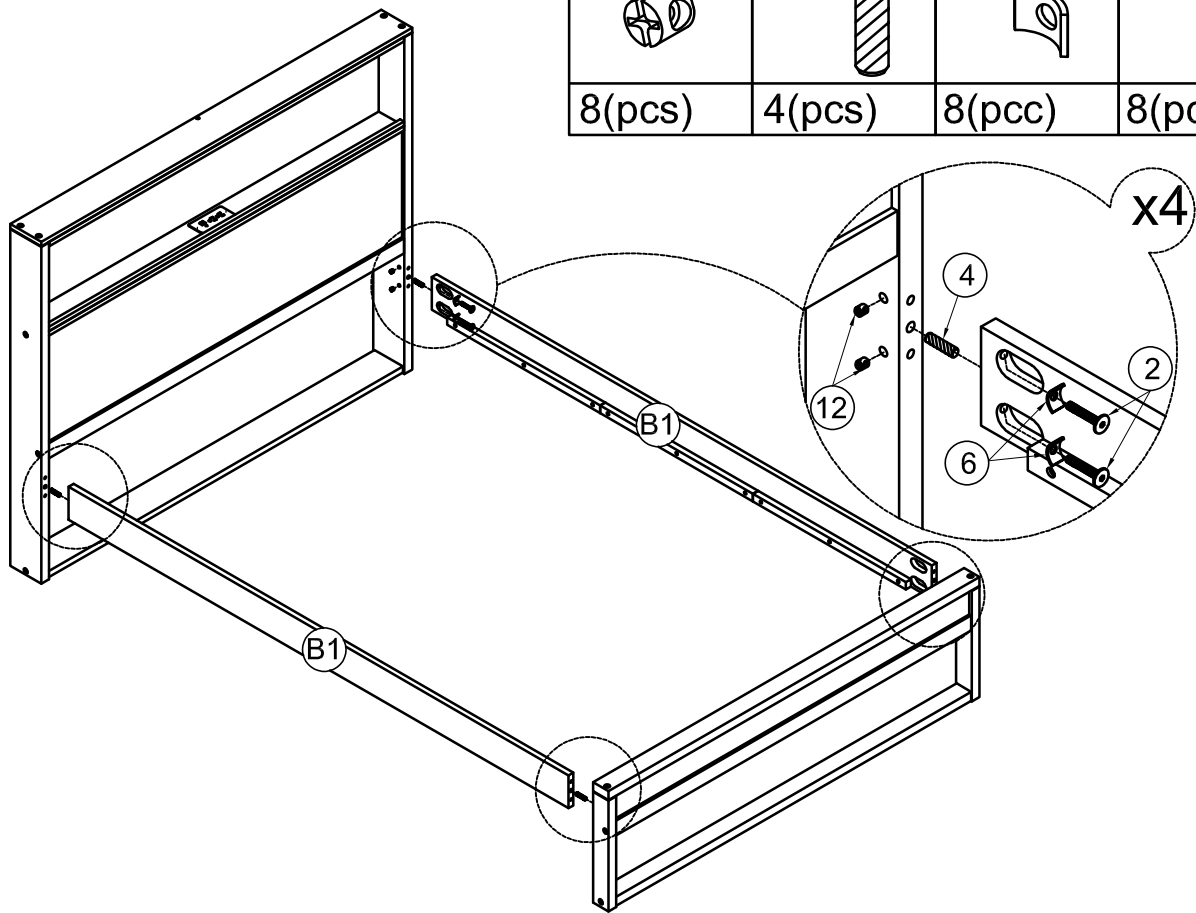
STEP4: Following below illustration.





4		13	
2(pcs)		2(pcs)	

STEP5: Following below illustration.

12	4	6	2
			
8(pcs)	4(pcs)	8(pcc)	8(pcs)



STEP6: Following below illustration.

1	5
	
2(pcs)	20(pcs)

