

SET OF 2 TABLES

Assembly Instruction

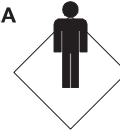
30 MINS

APPROXIMATE ASSEMBLY TIME

1 PERSON ASSEMBLY



FLOOR AREA
1.0M X 1.0M



REQUIRED ASSEMBLY SPACE

REQUIRED ASSEMBLY TOOLS

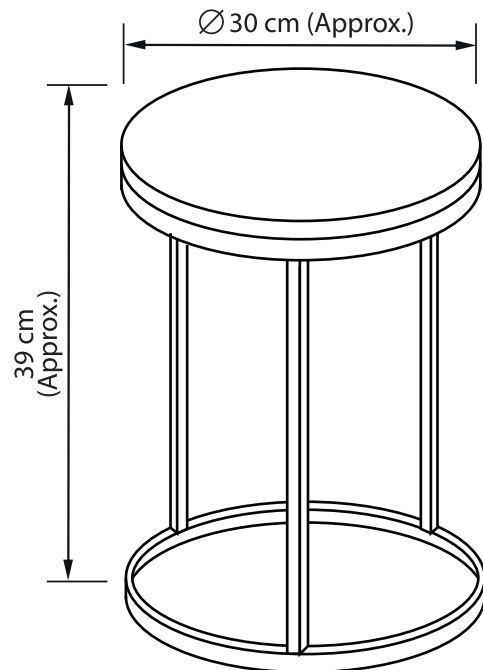
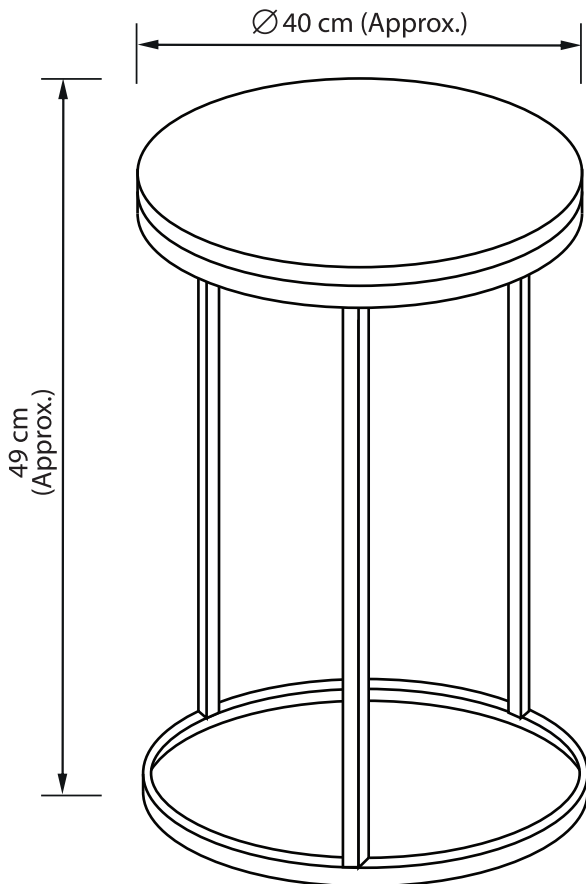


PROTECTIVE HAND GLOVES (NOT PROVIDED)



ONE METER TO MEASURE (NOT INCLUDED)

ASSEMBLED DIMENSIONS



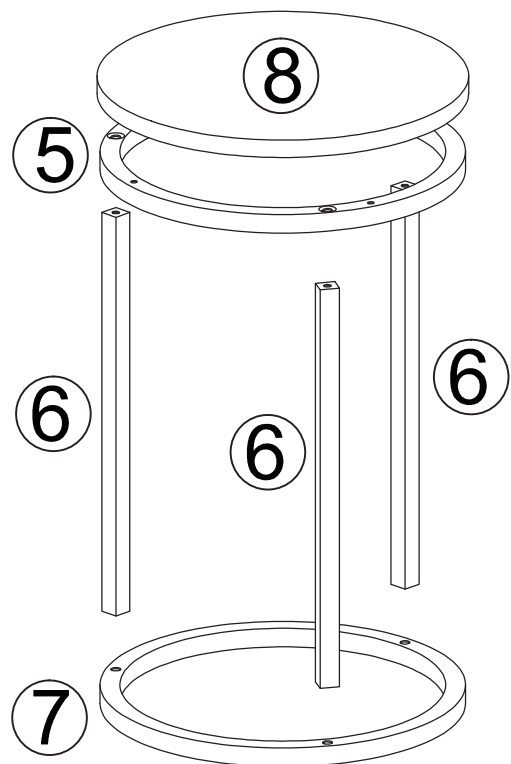
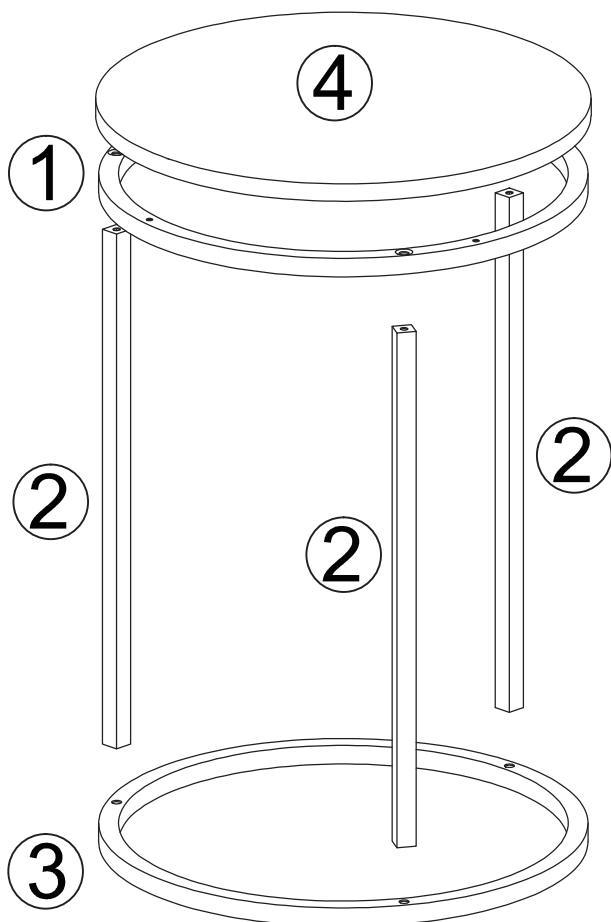
Max. Loading:
Large table - 15kg
Small table - 10kg

SET OF 2 TABLES

Assembly Instruction

NO.	PART LIST	QTY	NO.	PART LIST	QTY
(1)	LARGE ROUND UPPER FRAME	1	(5)	SMALL ROUND UPPER FRAME	1
(2)	LONG SUPPORT BAR	3	(6)	SHORT SUPPORT BAR	3
(3)	LARGE ROUND BOTTOM FRAME	1	(7)	SMALL ROUND BOTTOM FRAME	1
(4)	LARGE ROUND TOP	1	(8)	SMALL ROUND TOP	1

PARTS LIST

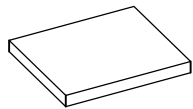
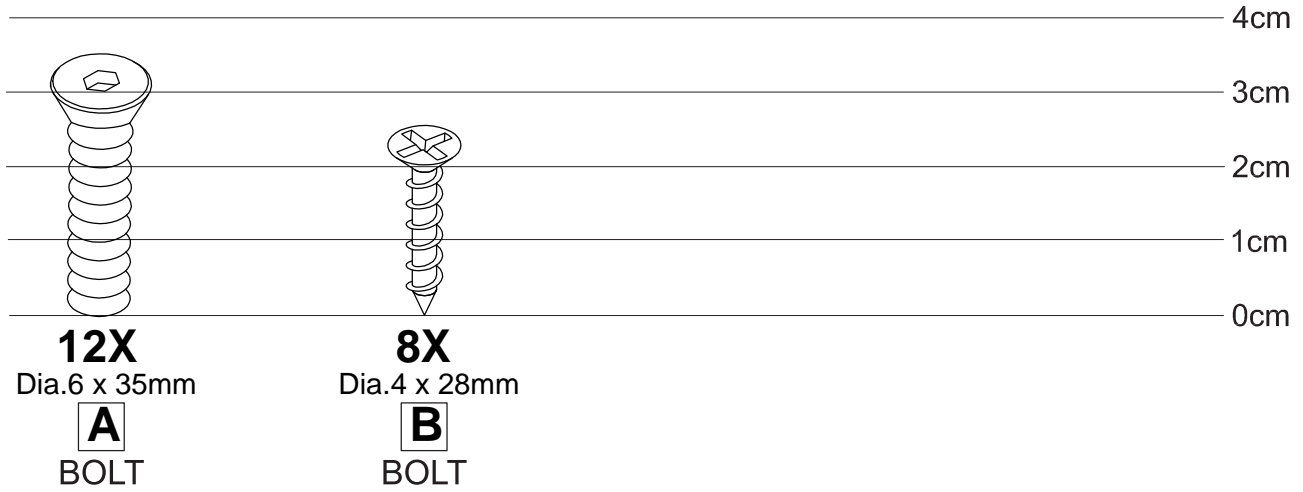


Max. Loading:
Large table - 15kg
Small table - 10kg

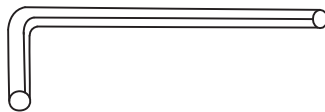
SET OF 2 TABLES

Assembly Instruction

HARDWARE LIST



8X
C



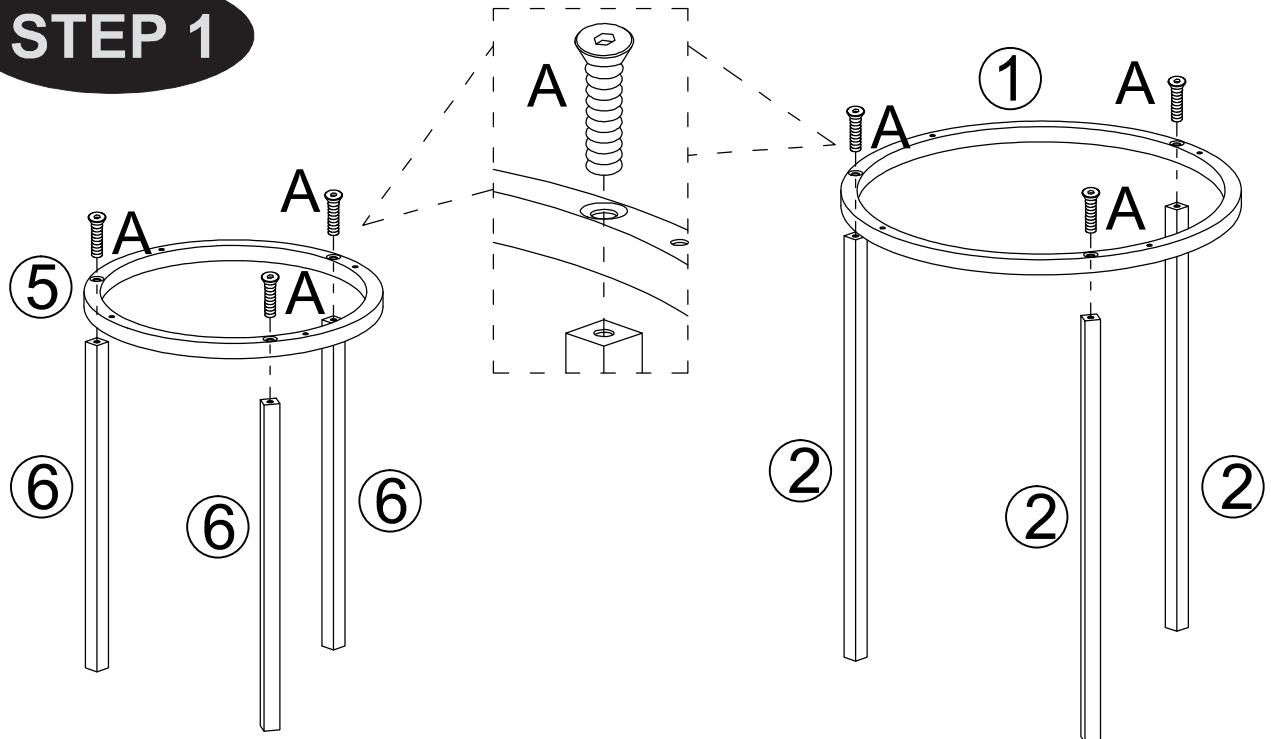
1X
D
Allen Key

Max. Loading:
Large table - 15kg
Small table - 10kg

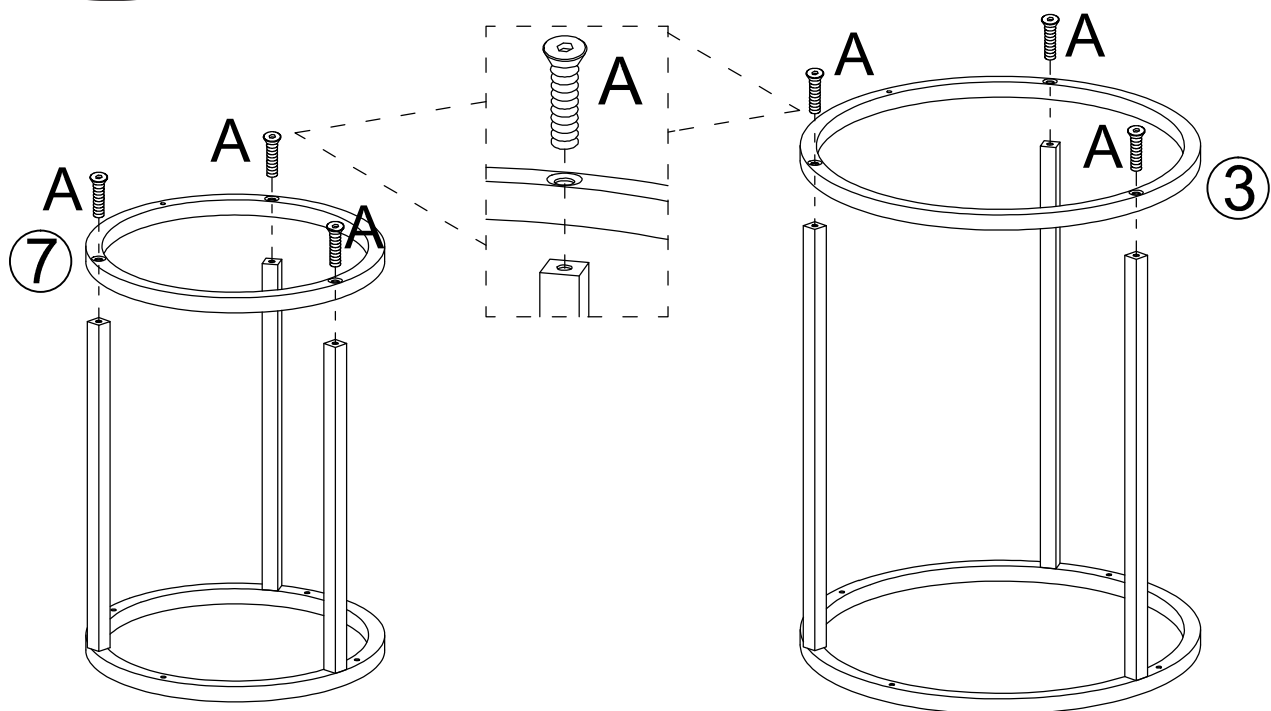
SET OF 2 TABLES

Assembly Instruction

STEP 1



STEP 2

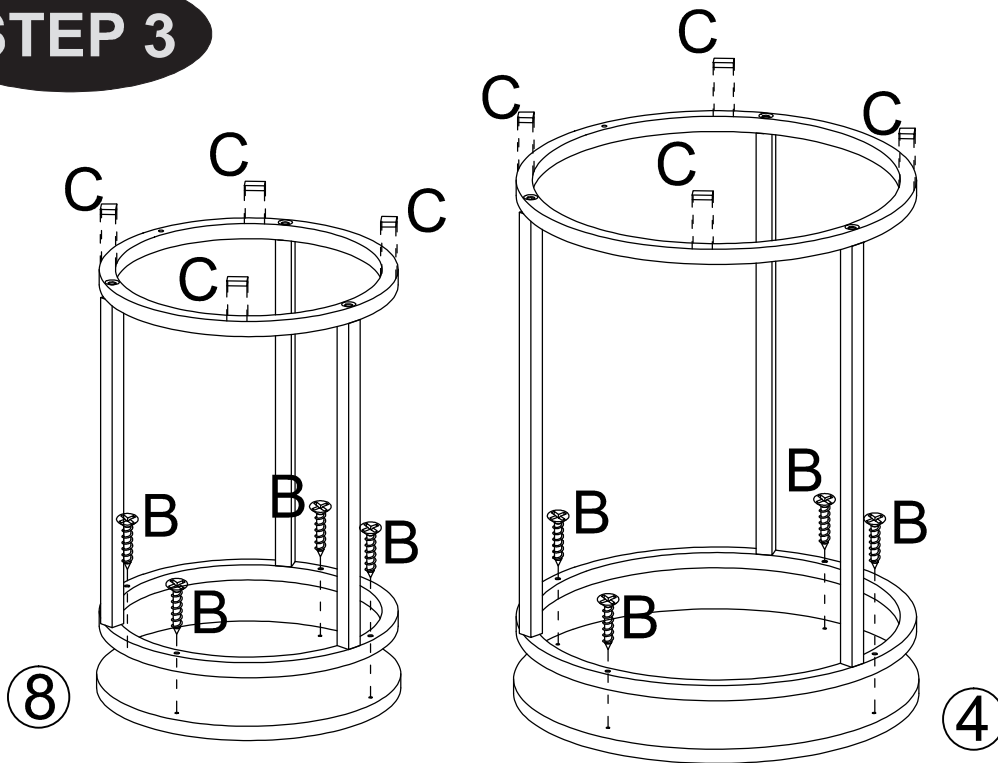


Max. Loading:
Large table - 15kg
Small table - 10kg

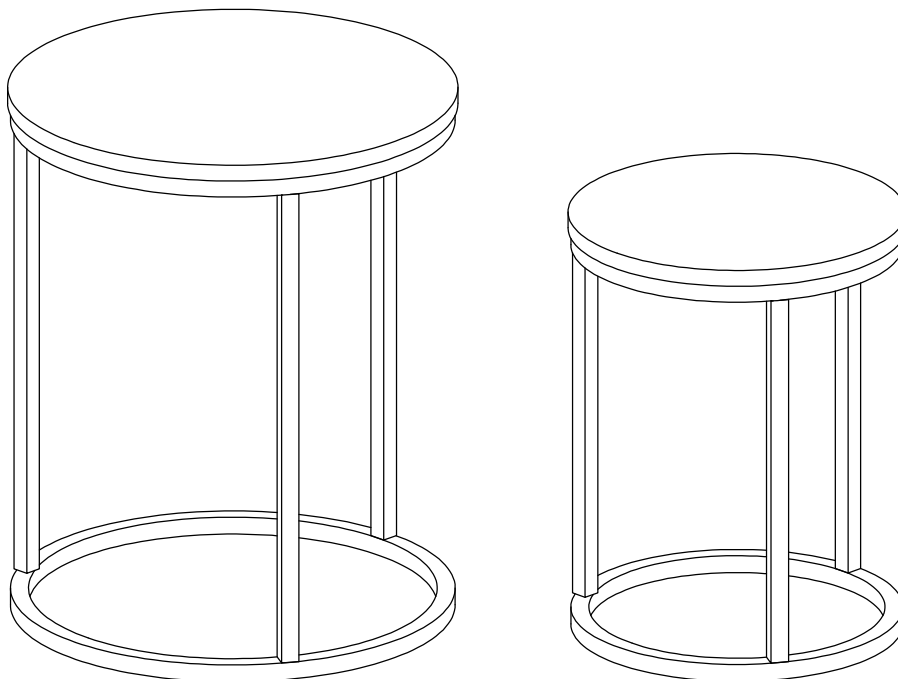
SET OF 2 TABLES

Assembly Instruction

STEP 3



STEP 4



Max. Loading:
Large table - 15kg
Small table - 10kg

SET OF 2 TABLES

Assembly Instruction

Top Tips before you start!

1. Please check that all parts are present before you start the assembly of your furniture.
2. For ease and speed of assembly, we recommend that before you commence each step of the assembly, that you identify all the parts required for that step.
3. For the protection of your furniture, we recommend that the product is placed on a protected surface during assembly to prevent any damage.
4. During assembly please take care not to over-tighten any fittings, as this may damage the product.
5. Always place the product on a flat, steady and stable surface.
6. Do not stand on the product. Do not use product as a stepladder.
7. This product is intended for indoor, household use only as it is non industrial product.
8. Please do not kneel on any part of this product during assembly.
9. Do not load more than a total of 25kg(Large table:15kg/Small table:10kg) onto the product, otherwise there is a risk of injury and/or damage to the product.

Care and Maintenance of your Furniture.

- Please periodically check all fittings and re-tighten as necessary.
- To clean your item, please use a damp cloth and wipe clean.
- Never allow any kind of liquid to remain on your furniture.
- Please do not drag and pull your furniture.

Max. Loading:
Large table - 15kg
Small table - 10kg