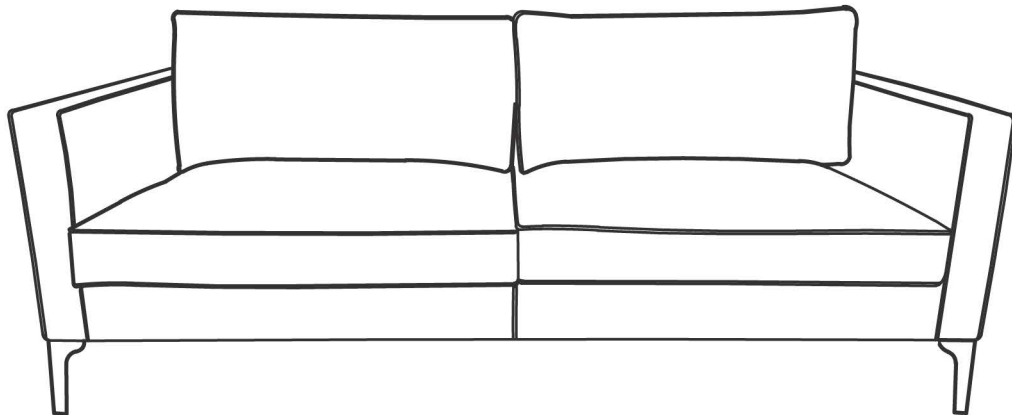


Assembly Instructions

# Leather Sofa



## Assembly Instructions

# Leather Sofa

### ASSEMBLY REQUIREMENT

**2 PERSON ASSEMBLY | 20 MINUTES ASSEMBLY TIME (APPROXIMATE)**

**TOOLS REQUIRED: ALLEN WRENCH (PROVIDED)**

### ASSEMBLY PREPARATION

1. Remove all packaging materials, staples and packing straps from the carton.
2. Refer to Parts Checklist and ensure they are complete before you start assembling.
3. Place all components on a clean, flat and soft surface (e.g. carpet or rug) to prevent parts from getting scratched.

### TIPS FOR ASSEMBLY

1. Allow ample room for assembly and in close proximity to where product will be placed.
2. Assemble the product on a surface that does not scratch or damage the exterior and finish of the furniture.
3. During assembly, do not over-tighten any fittings as this may cause damage.
4. **DO NOT USE POWER TOOLS TO ASSEMBLE THIS PRODUCT.**
5. Do not sit or stand on the partially assembled product, only use the product for which it is intended.

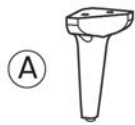
### CARE AND USE

- Recommended for indoor and residential use only.
- Keep product away from all heat sources and direct sunlight. The leather will lighten if exposed to sunlight.
- Gently dust with a soft cloth to keep it free from dirt.
- Noticeable soiling can be wiped with a clean, wrung out cloth. Do not soak or vigorously rub the leather and always wipe excess moisture with a dry cloth.
- Do not use chemical cleaners or polishes.
- For heavy soiling, please consult a leather specialist and professional cleaner.
- New, unwashed denim jeans may transfer dye onto the leather, leaving permanent stains.
- Fluff all loose cushions regularly to maintain shape.
- Ensure the feet are tightly fastened. Try not to drag them to avoid damage to the furniture or your floor.
- The leather will scuff and will develop into a beautiful vintage patina with use

**Regular maintenance is important to keep your leather looking its best.**

**SAFETY PRECAUTIONS:** 1. KEEP ALL HARDWARE PARTS OUT OF REACH OF CHILDREN. 2. DISPOSE PLASTIC PACKAGING MATERIAL IMMEDIATELY TO AVOID ANY RISK OF SUFFOCATION TO CHILDREN AND ANIMALS.

## PARTS CHECKLIST



X4 Legs



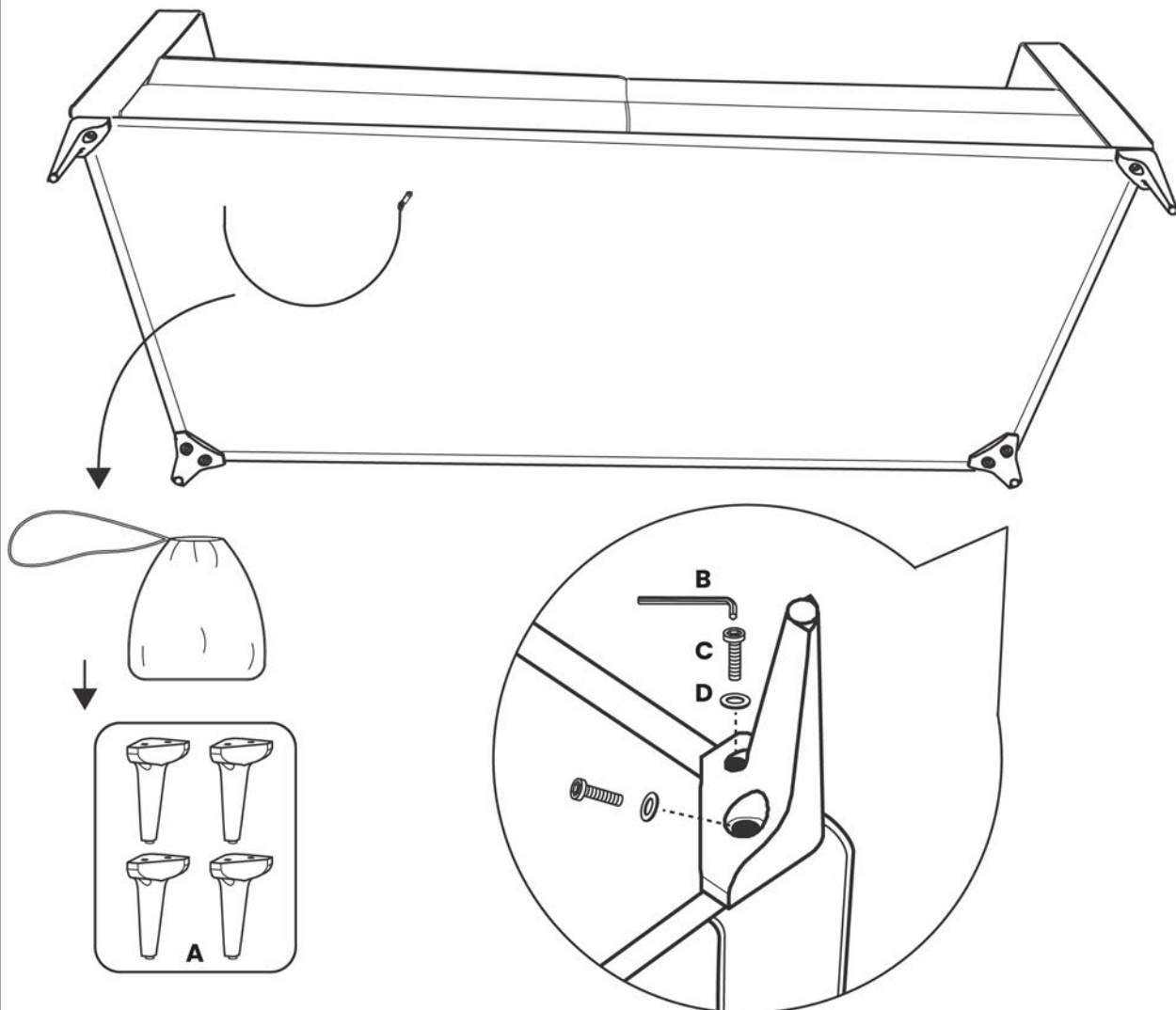
Allen Wrench



X8 Bolts



X8 Washers



### STEP 1.

With another person, carefully place the sofa on its back on a soft surface. Remove Legs **A**, Bolts **C** and Washers **D** from bag. Attach the legs **A** into pre-drilled holes using Bolts **C** and Washers **D**. Hand tighten and finish with Allen Wrench **B**.

### STEP 2.

Carefully place the sofa upright. Place cushions onto sofa. Enjoy!