



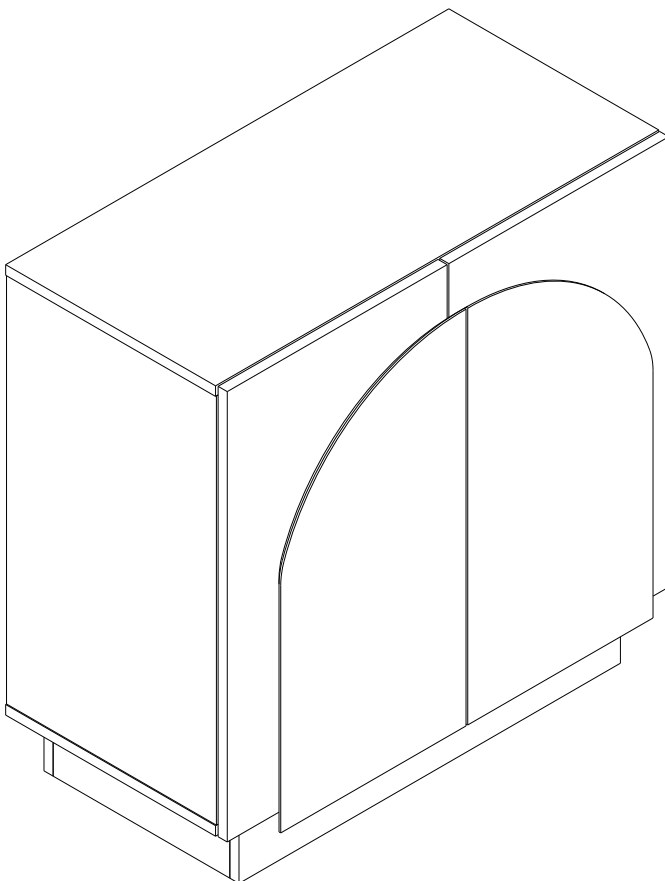
Best Master Furniture™
The Imported Furniture Specialist

MODEL : CABINET

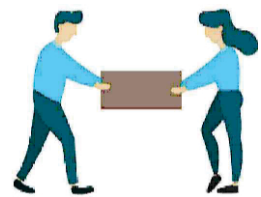
ASSEMBLY INSTRUCTIONS

Hours of Operation
MON-FRI 8:00AM - 4:00PM (PT)

TOOLS REQUIRED



Allen key
(Included)

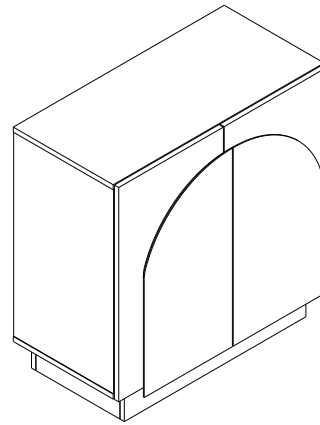


2 - People

Enjoying this product? We'd love your 5-star review!
If you have any issues, our support team is happy to help.



Best Master Furniture
The Imported Furniture Specialist



Thank you for your purchase



Monday-Friday
8:00AM - 4:00PM PT



@Email
inquiries@bestmasterfurnitures.com



www.bestmasterfurnitures.com



**CHECK
BEFORE STARTING**

Are you missing anything?

Please double check all hardware and parts match the assembly guide before putting the product together. If damaged, we suggest you put the item back in the box and start your claim or return

Should we send any replacements?

If there are any manufacturer defects or missing pieces please contact us for replacements. If purchased online, please contact the website of where you purchased it from, DIRECTLY

IMPORTANT INFO before assembly:

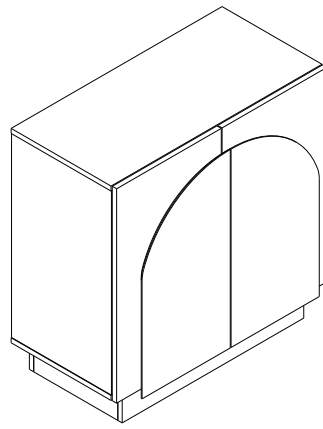
If there's a problem with the parts do not attempt to assemble the product

- Place all parts on a clean and smooth surface such as a rug/carpet to avoid parts from being scratched
- When tightening screws to product do not overtighten until product is fully setup
- If product is too heavy for a single person to carry do not attempt and ask for assistance
- DO NOT DRAG or PUSH item to desired location. Must be carried when moving
- If item is not working as intended please review the assembly guide to see if any steps were missed or incorrectly built. If there's a problem with part please contact seller for additional assistance
- Please keep all hardware and small parts away from pets/infants
- Please wear gloves or protective gear to protect from getting cuts
- It is normal for new furniture to have an off gassing smell. Please air out furniture near a window for a few hours or a day before placing it in its desired location
- All products may have a slight color and texture variation due to different shipments, natural materials, screen- resolutions, or lighting in home. Images are rendered by different devices or websites



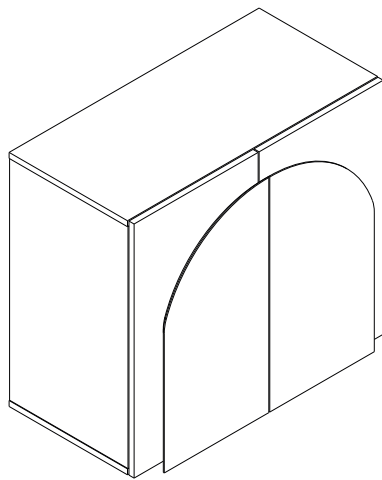
Best Master Furniture™
The Imported Furniture Specialist

Model : Cabinet



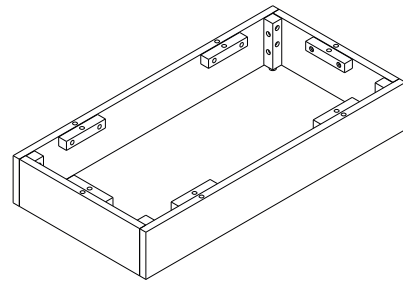
PARTS

1 x1



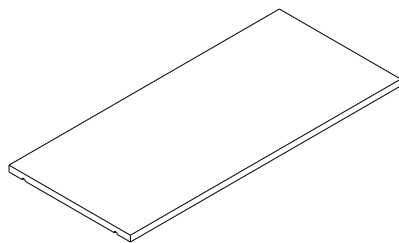
Cabinet

2 x1



Leg

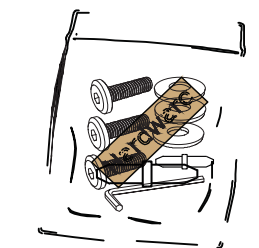
3 x1



Adjustable Shelf

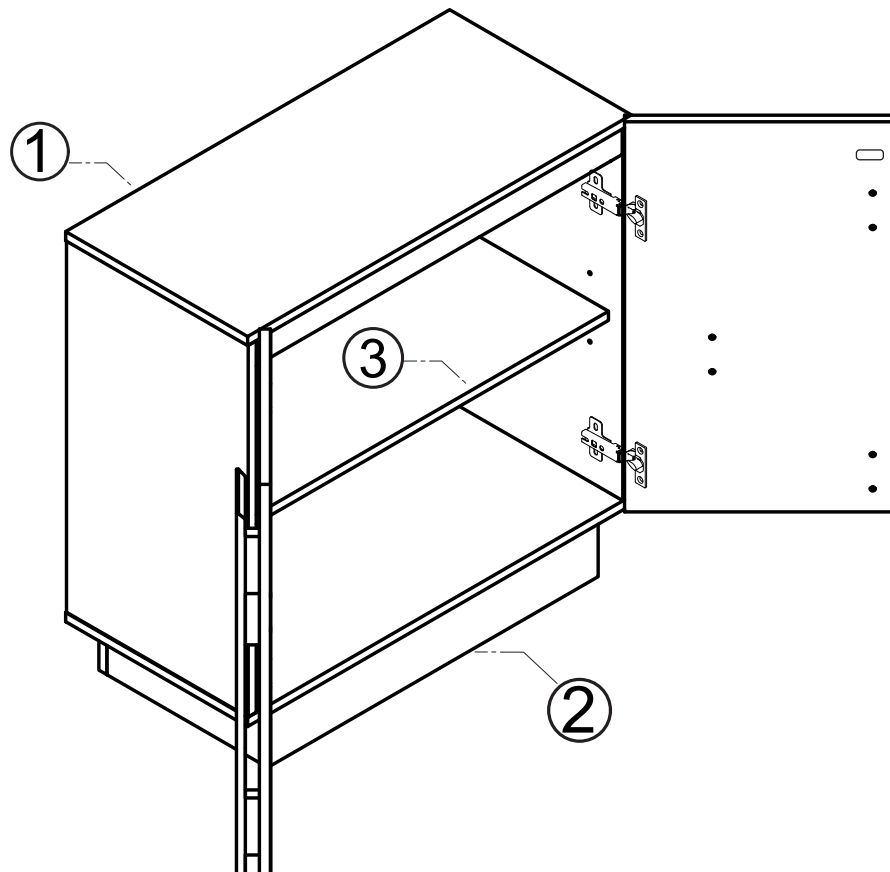
4 x1

Hardware

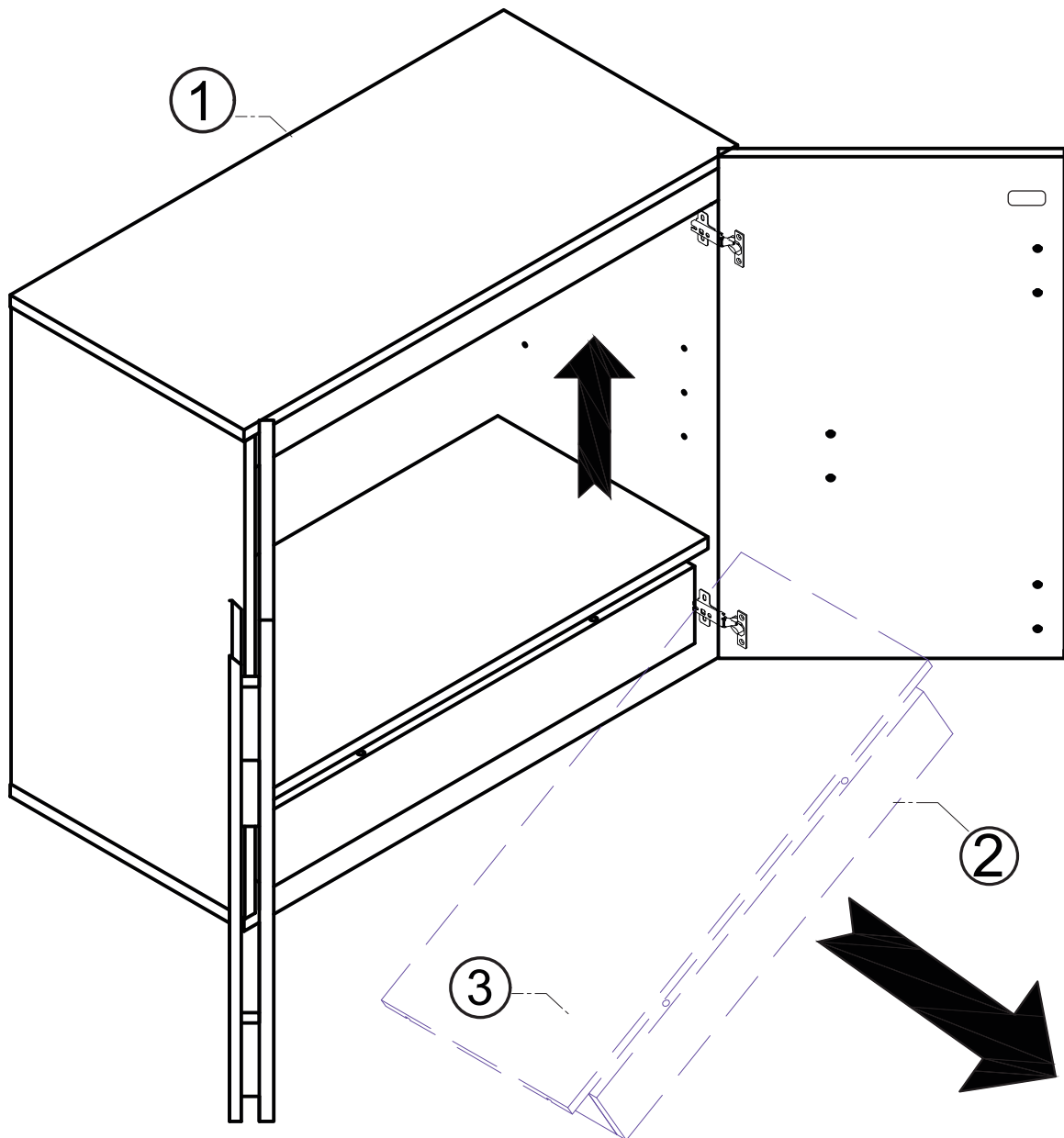


HARDWARE

No.	OUTLOOK	DESC	QTY
A		Wood dowel	4
B		Bolts M6x32 mm	6
C		Plain washer Ø19x1.5mm	6
D		Spring washer 13x1 mm	6
E		Allen key K4x110	1
F		Shelf pin	4
G		Wall - Anchor	1
H		Screw M4x40	1



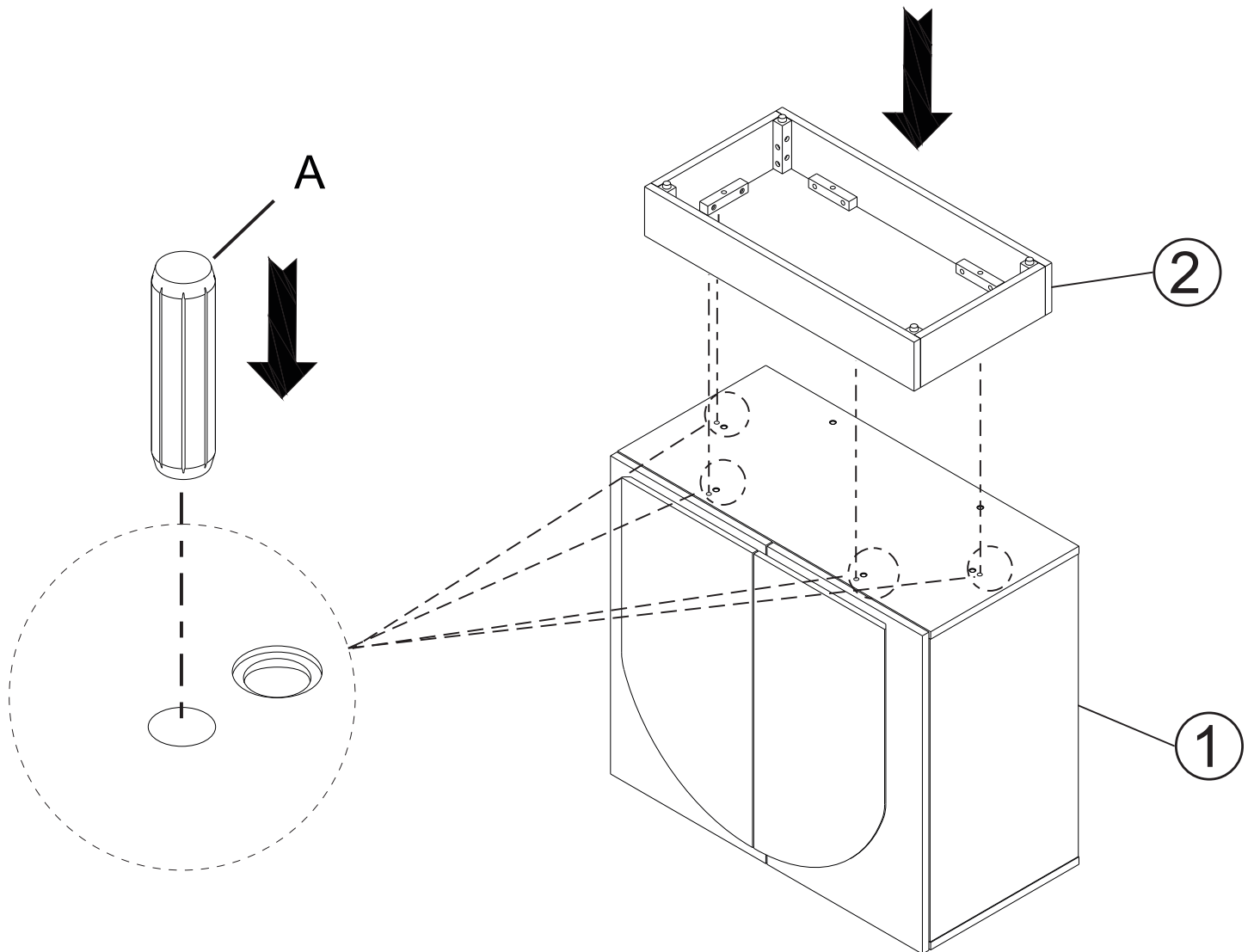
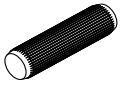
STEP 1



Lift one side of the inner box and carefully take it out.





STEP 2

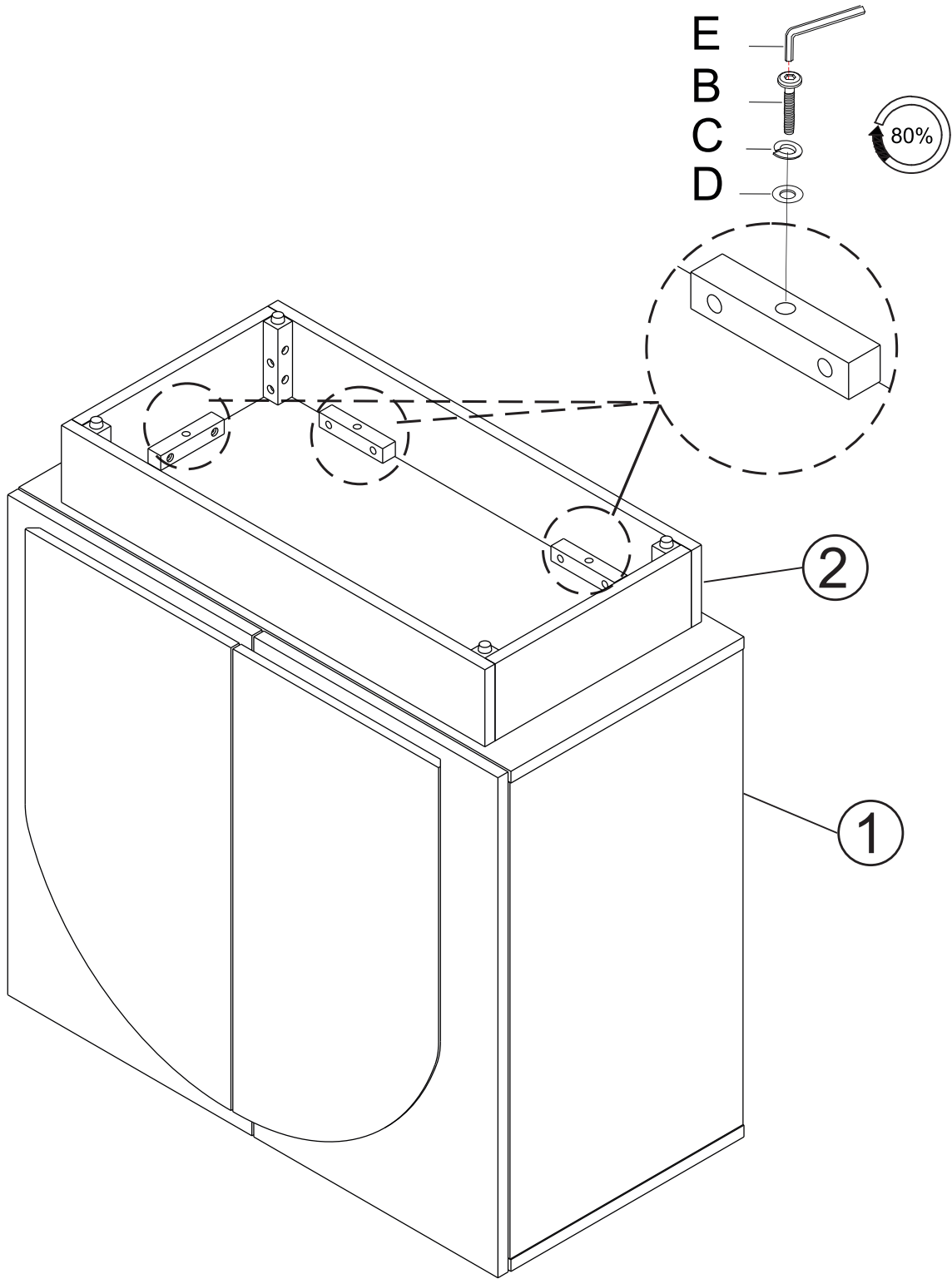
A x 4



Carefully turn the cabinet upside down and set it on a soft, level surface to prevent damage. Then, attach the leg to the cabinet using wood dowels.

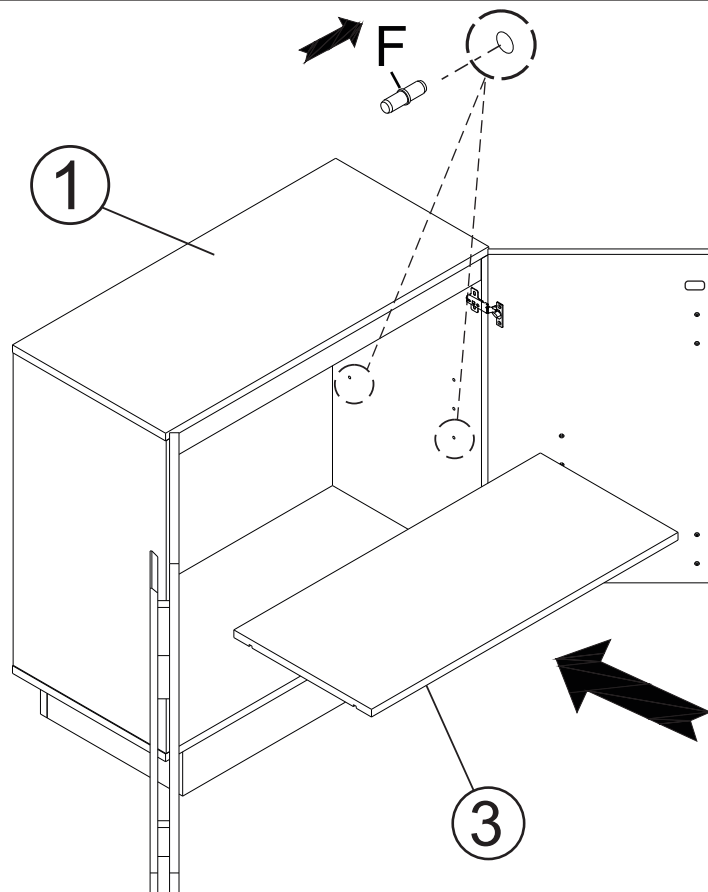
STEP 3

B x 6 	C x 6 	D x 6 	E x 1 
--	--	--	--



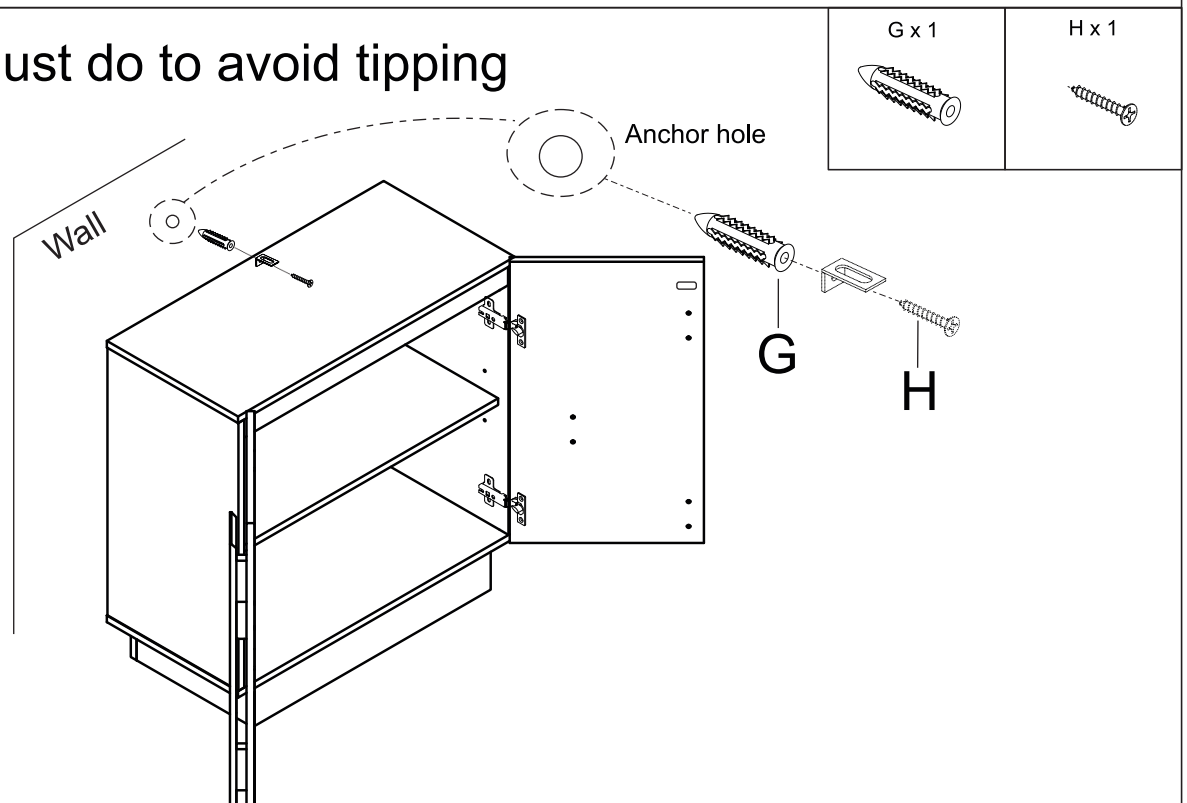
Assembly the bolts

STEP 4



Insert the shelf pins, then place the adjustable shelf at the desired position.

STEP 5 :Must do to avoid tipping



Drill a hole in the wall using a 1/4" drill bit. Insert a wall anchor into the hole. Then, secure the cabinet to the wall by screwing an M4x40 mm screw through the bracket into the anchor.

FINISH

