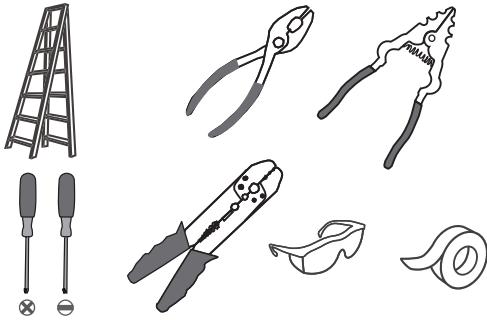
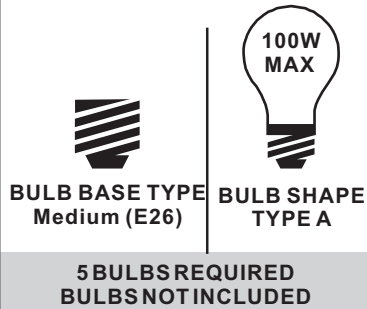


# Installation Guide

## Tools Required



## Light Source



## Fixture Height Adjustable 24.5" to 74"

### ⚠ Warnings and Cautions

Turn off the electricity at the circuit breaker before installation. Consult a licensed electrician if in doubt about installation.

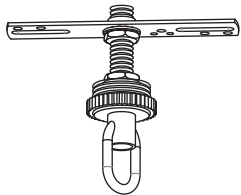
Turn off power to the fixture and allow the bulbs to cool before replacing.

## Package Contents

**Preparation:** Identify and inspect all parts before beginning the installation.

Missing or damaged parts? Contact your original place of purchase.

### PARTS BAG



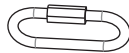
**A** Crossbar Assembly  
x 1



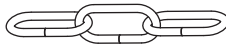
**B** Outlet Box Screw  
x 2



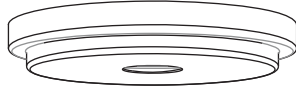
**C** Wire Connector  
x 3



**D** Quick Link  
x 2



**E** Fixture Chain  
x 1



**F** Ceiling Canopy  
x 1

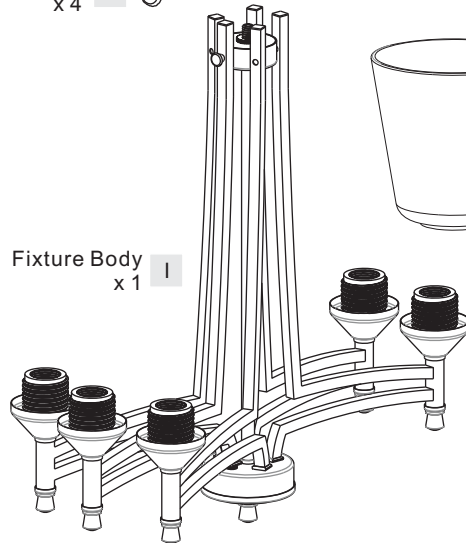


**G** Fixture Loop  
x 1

**H** Lock Screw  
x 4



**J** Socket Collar  
x 5

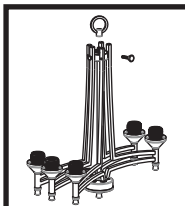


**I** Fixture Body  
x 1

**K** Shade  
x 5

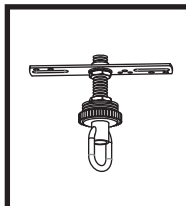
## Table of Contents

### Unfold arms & Fixture Loop



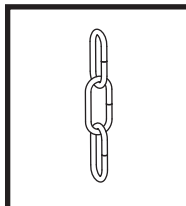
STEP 1

### Crossbar Assembly



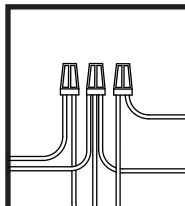
STEP 2

### Fixture Chain



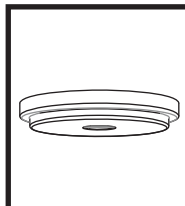
STEP 3

### Wiring



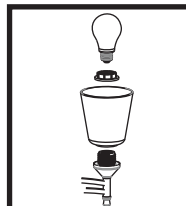
STEP 4

### Ceiling Canopy



STEP 5

### Shade & Bulb

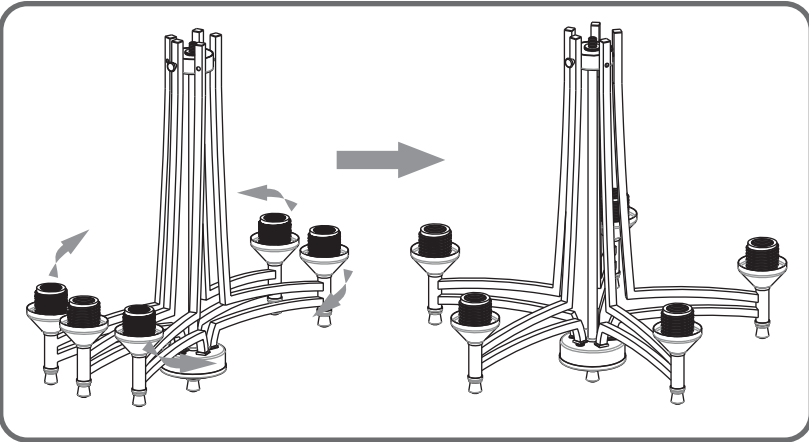


STEP 6

**STEP 1**

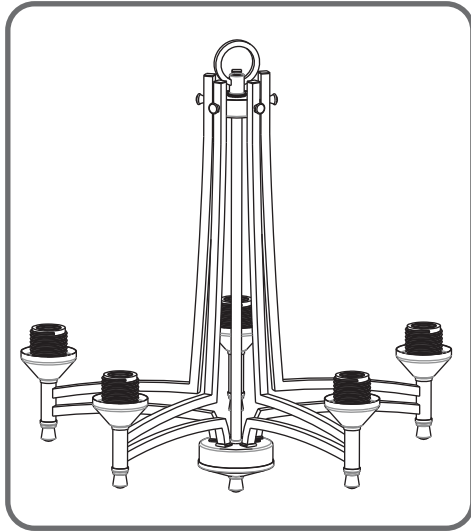
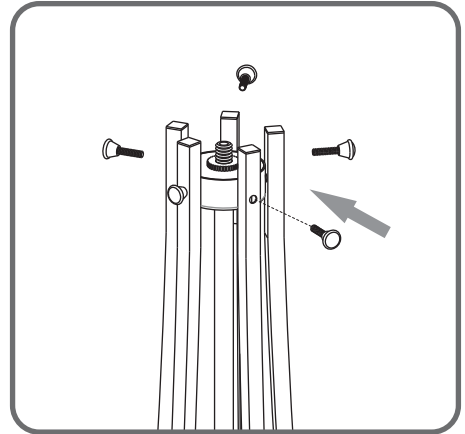
1

**Unfold Support Arms**



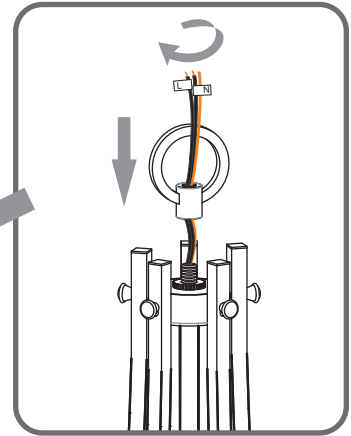
2

**Install Lock Screws**



3

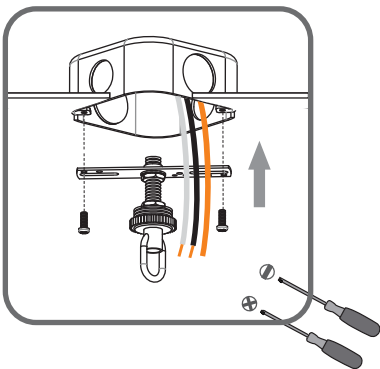
**Install Fixture Loop**



**STEP 2**

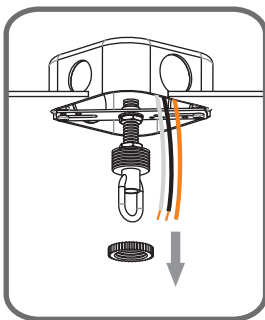
1

**Step 1  
Install crossbar assembly**

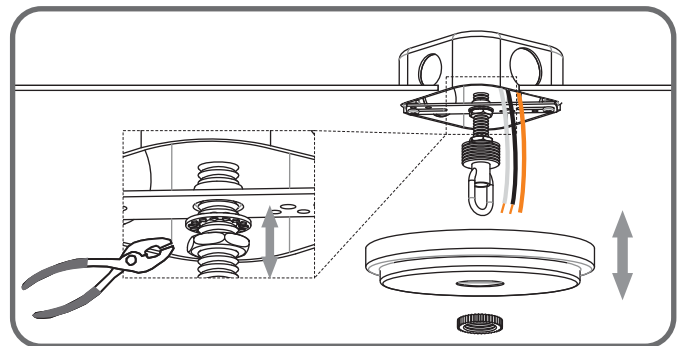


2

**Step 2 - 3  
Test fitting ceiling canopy to nipple**



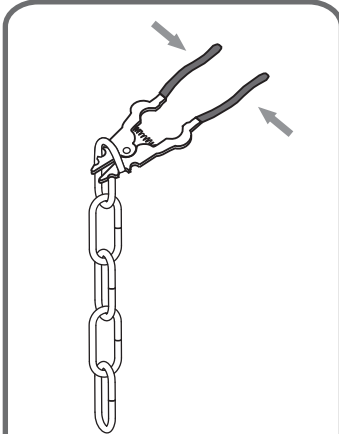
3



### STEP 3

1

Step 1  
Adjust fixture chain length

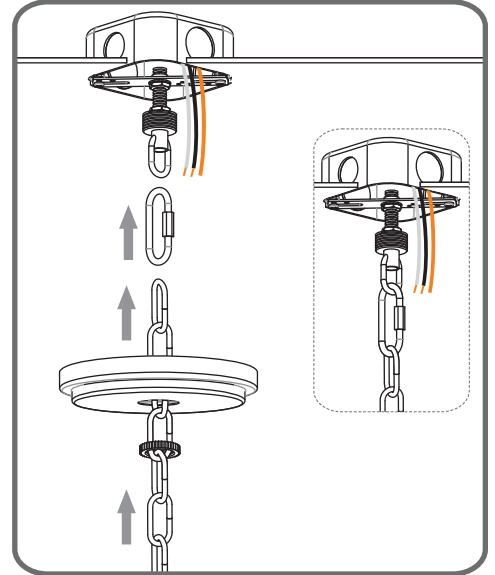
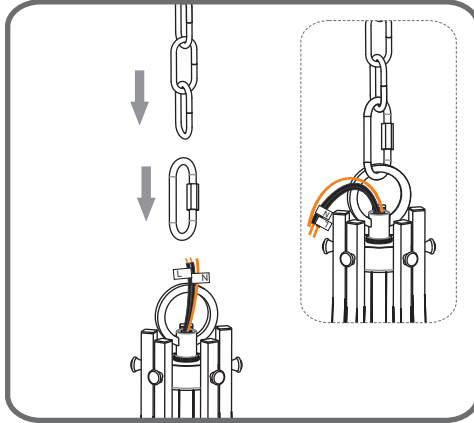


Suggested Chain Length:

- 8' ceiling: 10" Chain
- 9' ceiling: 22" Chain
- 10' ceiling: 34" Chain

2

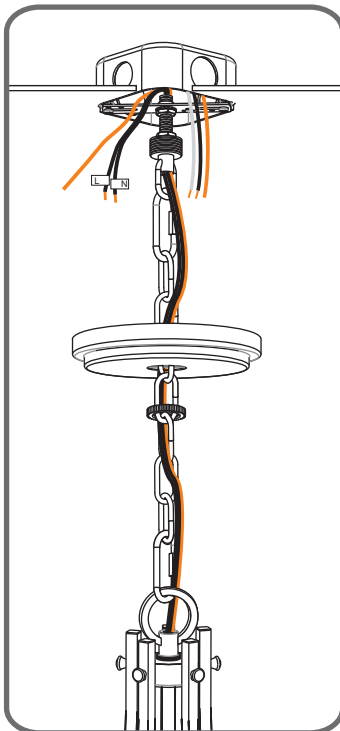
Step 2 - 3  
Install Fixture Chain



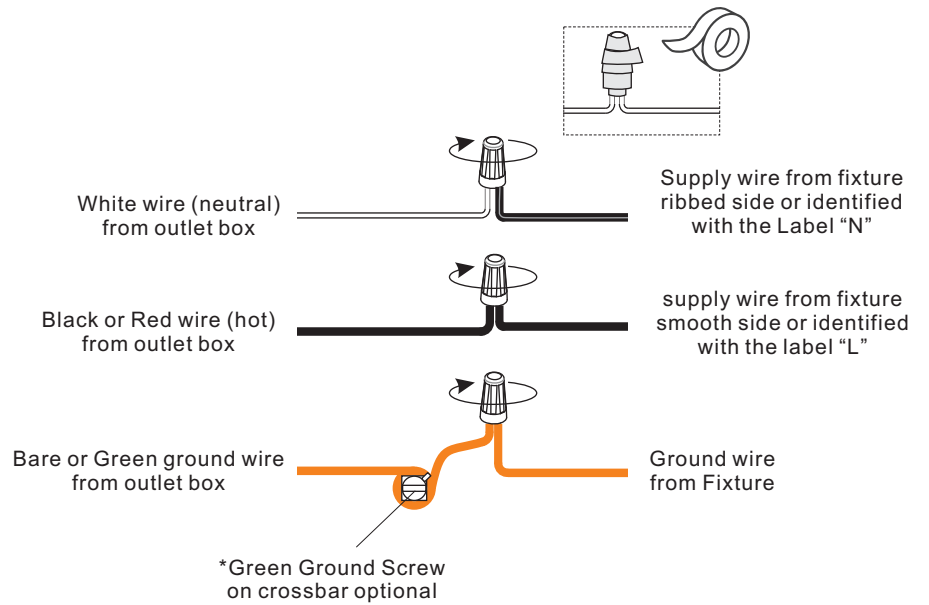
### STEP 4

1

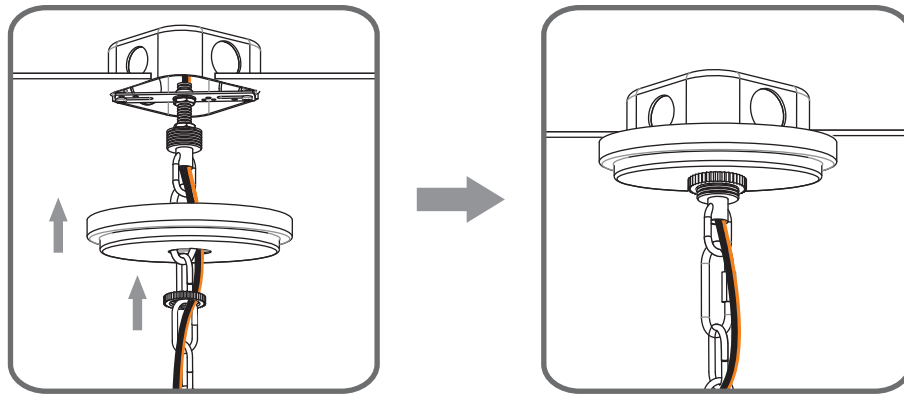
Step 1  
Feed the fixture wires through the loop



2



**STEP 5**



**STEP 6**

