

Assembly Instruction

Decorate your home, Brighten wonderful life

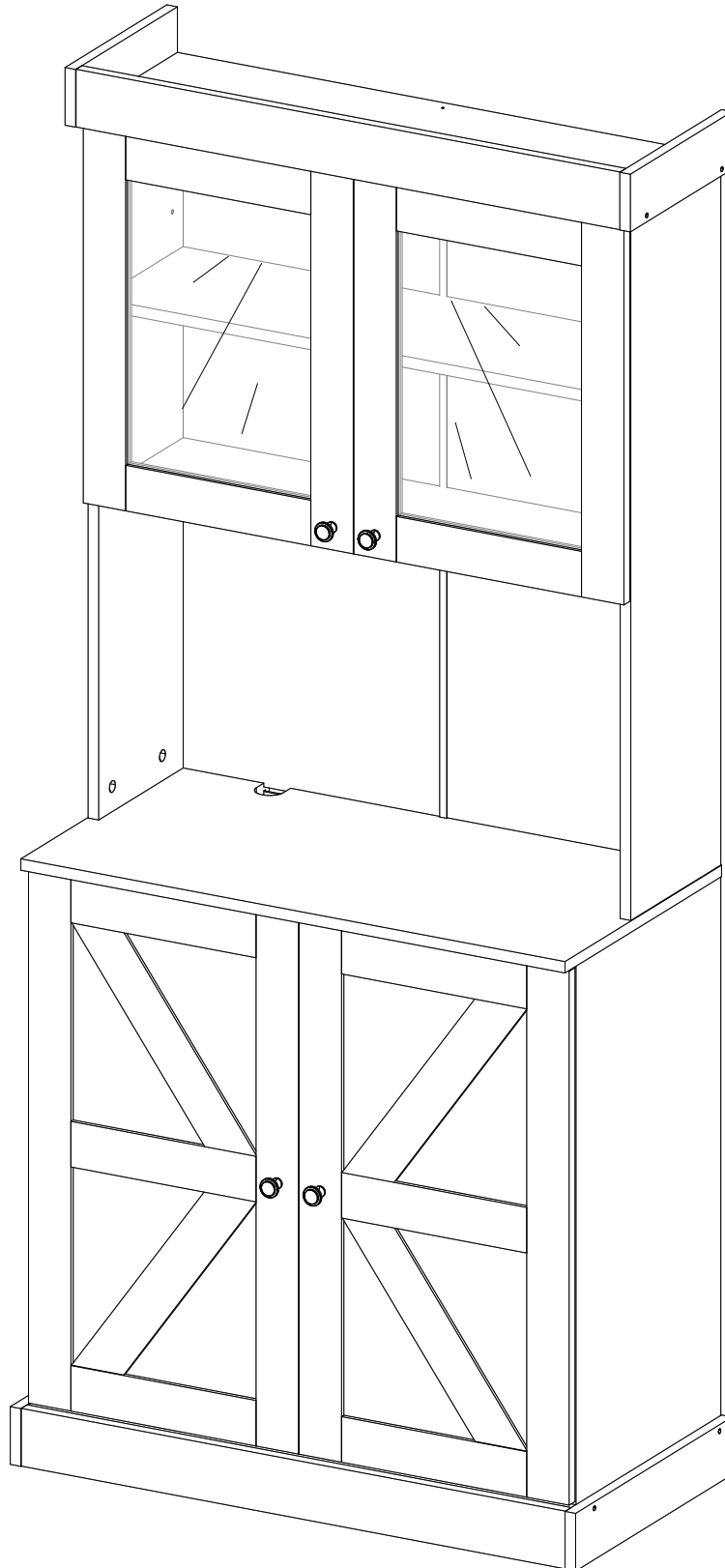
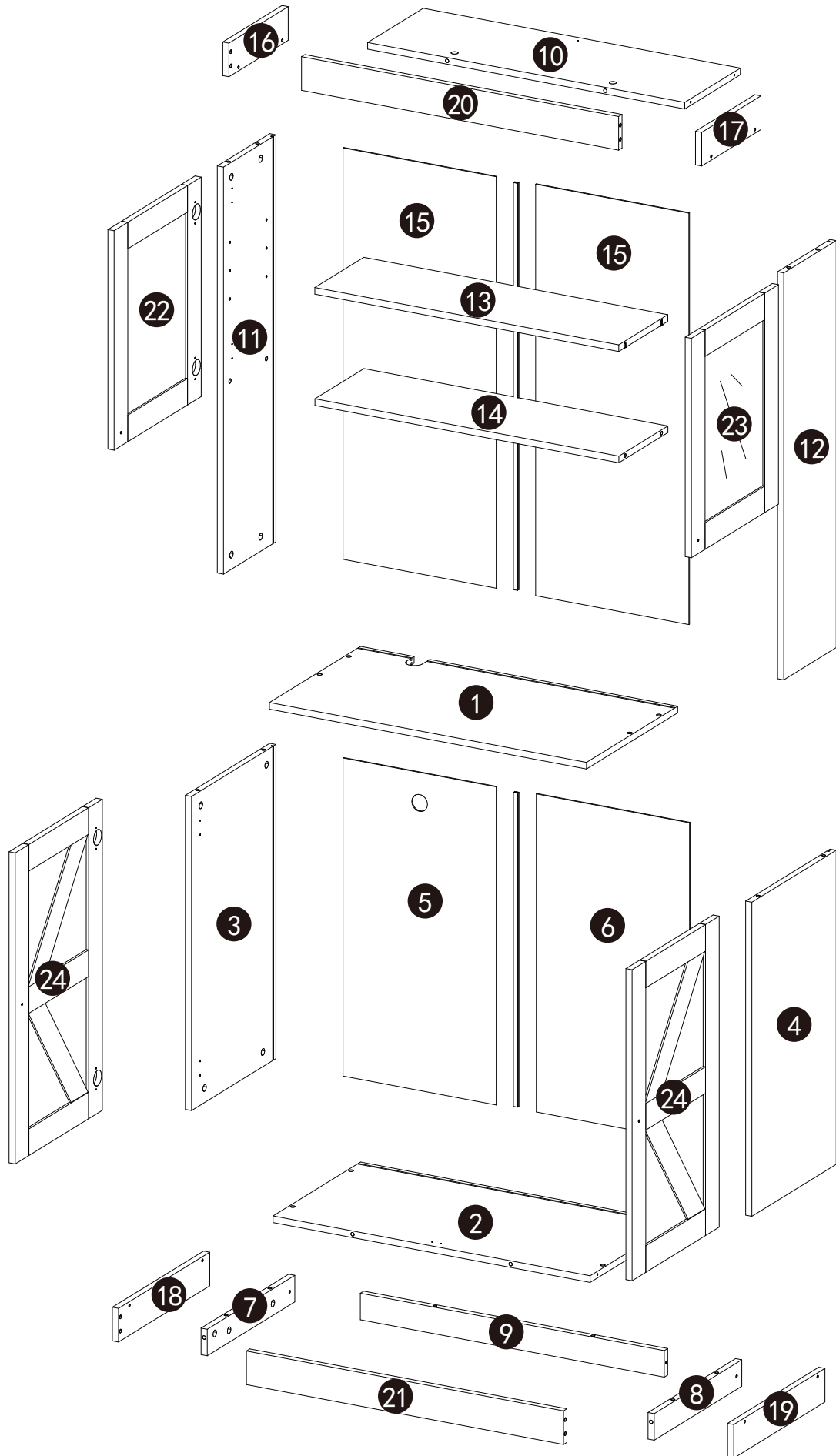
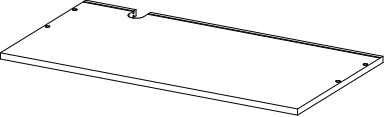
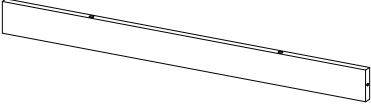
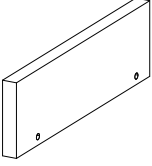
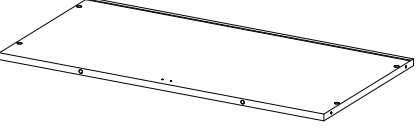
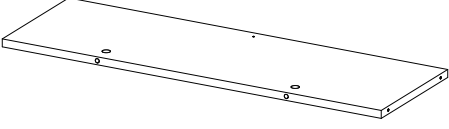
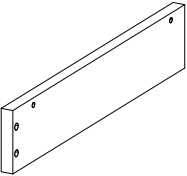
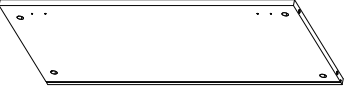
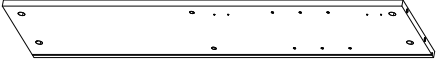
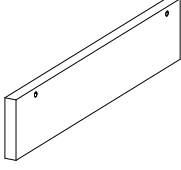
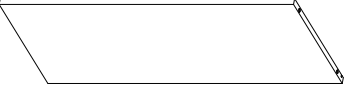

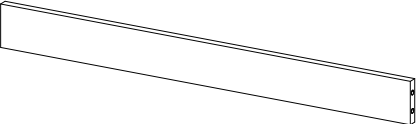

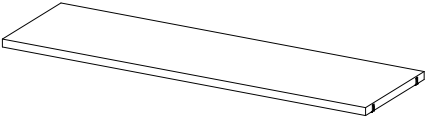
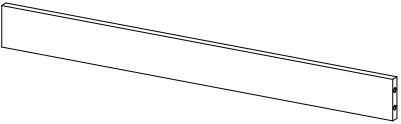
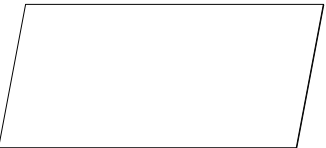
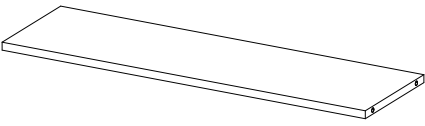
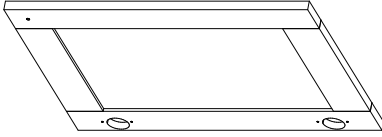
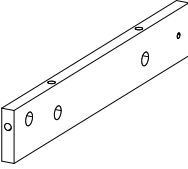

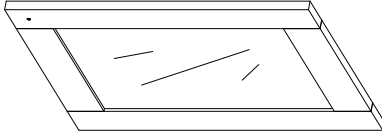
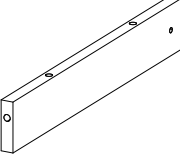
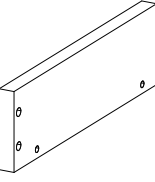
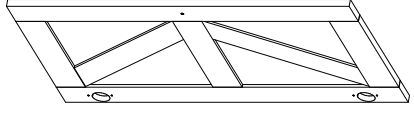


Plate number




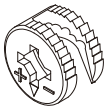
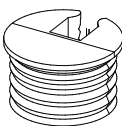
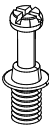
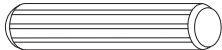
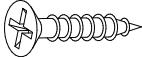

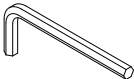
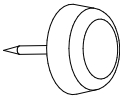
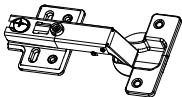
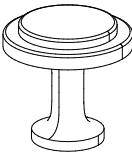
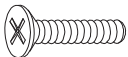
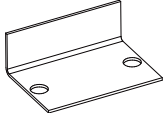



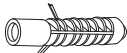
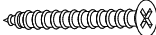
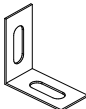
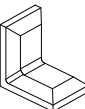

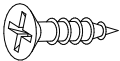
PARTS LIST

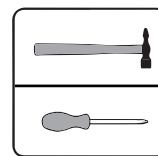
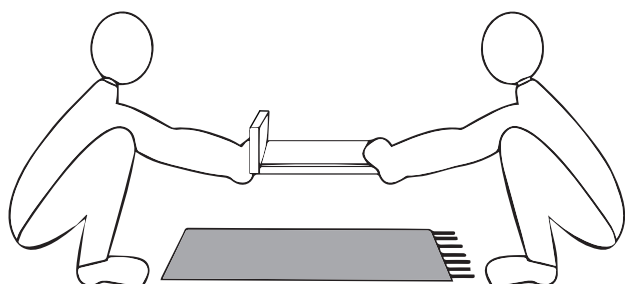
Unit: (mm)

<p>1 x1 PC</p> 	<p>9 x1 PC</p> 	<p>17 x1 PC</p> 
<p>2 x1 PC</p> 	<p>10 x1 PC</p> 	<p>18 x1 PC</p> 
<p>3 x1 PC</p> 	<p>11 x1 PC</p> 	<p>19 x1 PC</p> 
<p>4 x1 PC</p> 	<p>12 x1 PC</p> 	<p>20 x1 PC</p> 
<p>5 x1 PC</p> 	<p>13 x1 PC</p> 	<p>21 x1 PC</p> 
<p>6 x1 PC</p> 	<p>14 x1 PC</p> 	<p>22 x1 PC</p> 
<p>7 x1 PC</p> 	<p>15 x2 PC</p> 	<p>23 x1 PC</p> 
<p>8 x1 PC</p> 	<p>16 x1 PC</p> 	<p>24 x2 PC</p> 

ACCESSORIES LIST

Unit: (mm)

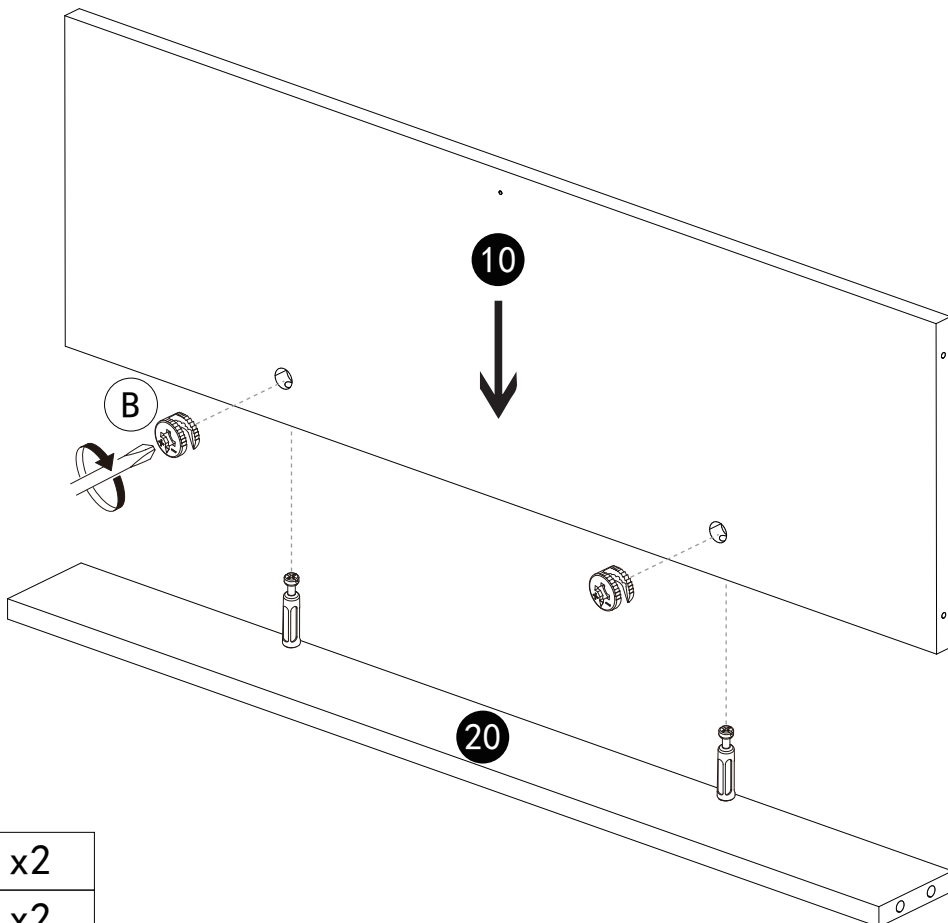
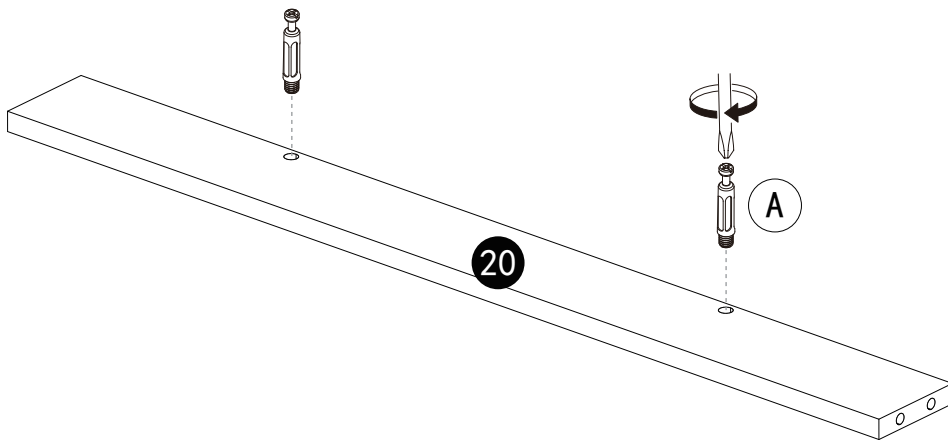
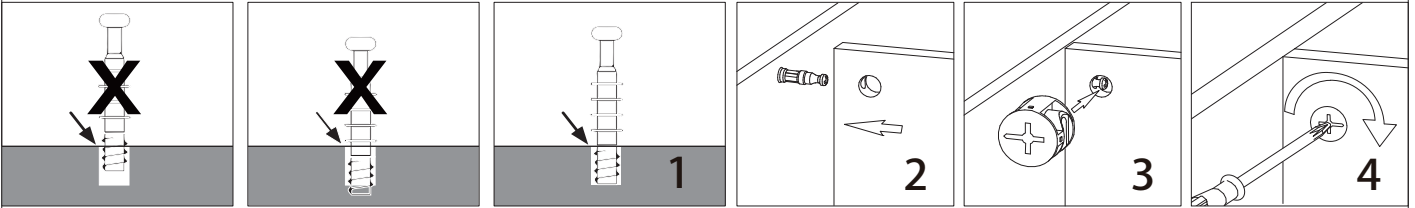
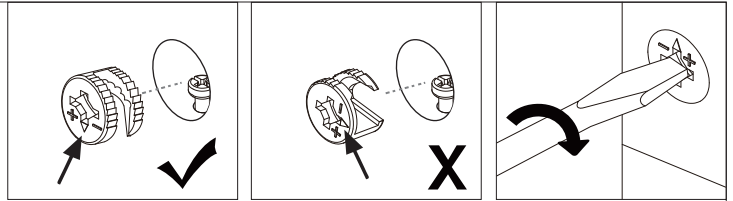
<p>A 6x40 x32 PC</p> 	<p>B 15x11 x32 PC</p> 	<p>C 21x12 x4 PC</p>  
<p>D 8x40 x8 PC</p> 	<p>E M3.5x14 x53 PC</p> 	<p>F M5x40/#3 x10 PC/x1 PC</p>  
<p>G Ø12x5 x12 PC</p> 	<p>H Hinge x8 PC</p> 	<p>J M4x18 x4 PC</p>  
<p>K 27x15 x2 PC</p> 	<p>L 21mm x20 PC</p> 	<p>M 710mm x1 PC</p> 
<p>N 920mm x1 PC</p> 	<p>O M4x50/8x40 x1 PC</p>    	<p>P M3x14 x20 PC</p>  





INSTALLATION INSTRUCTION

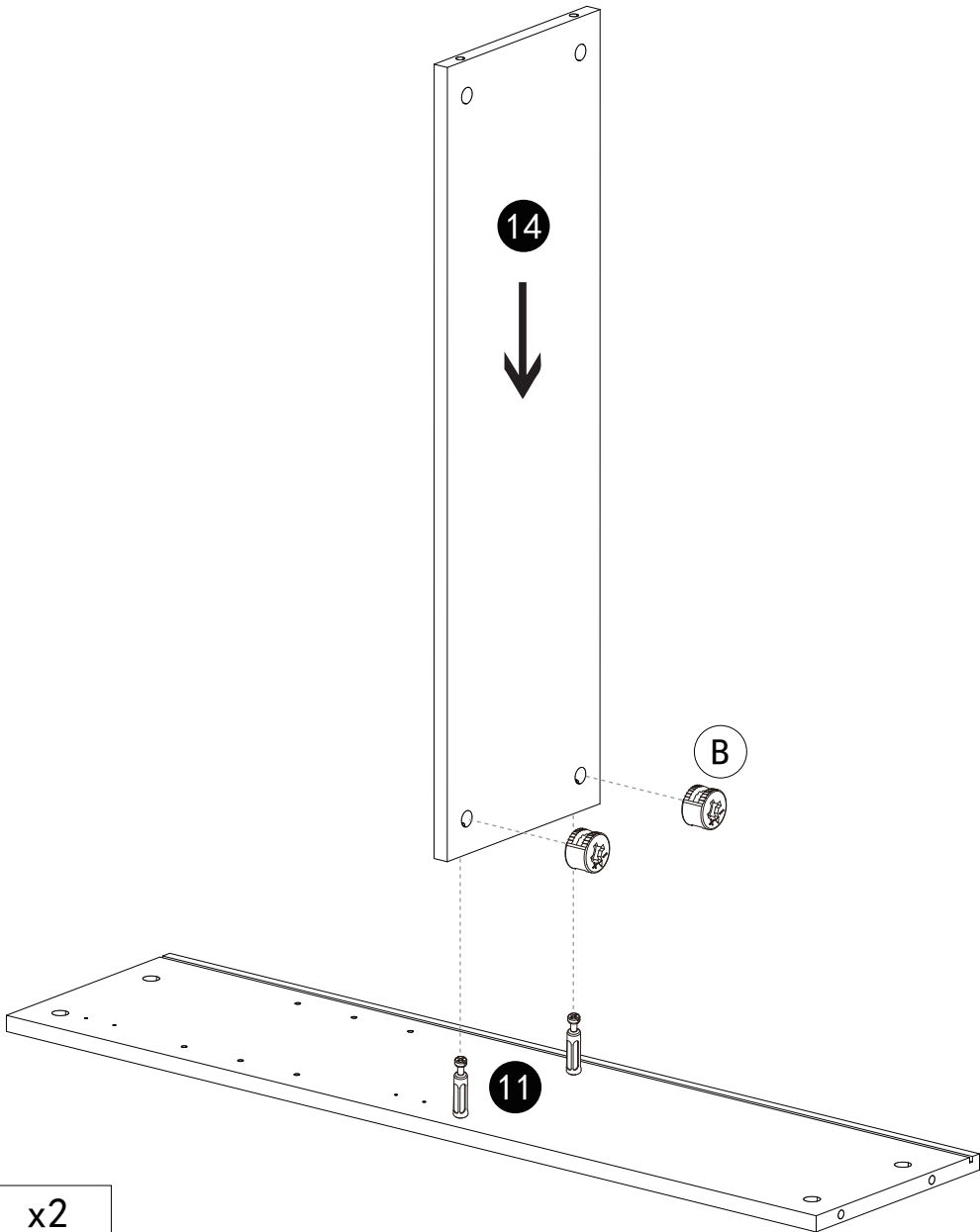
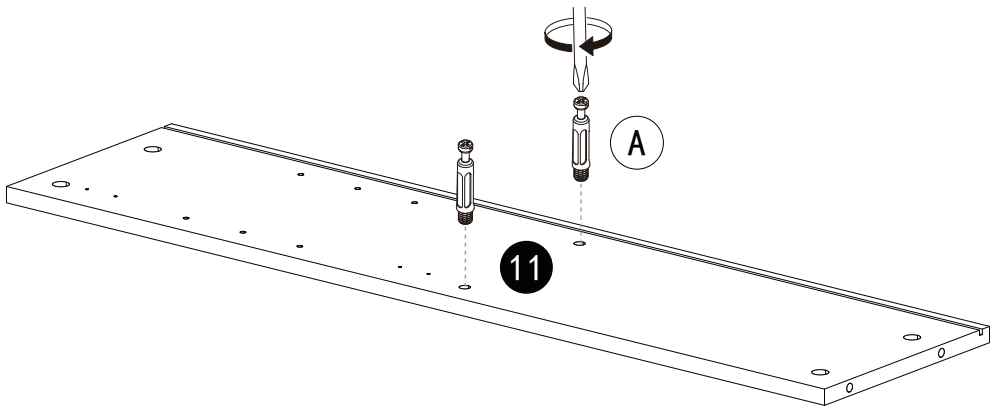
STEP 1



Installation method of three in one rod and buckle



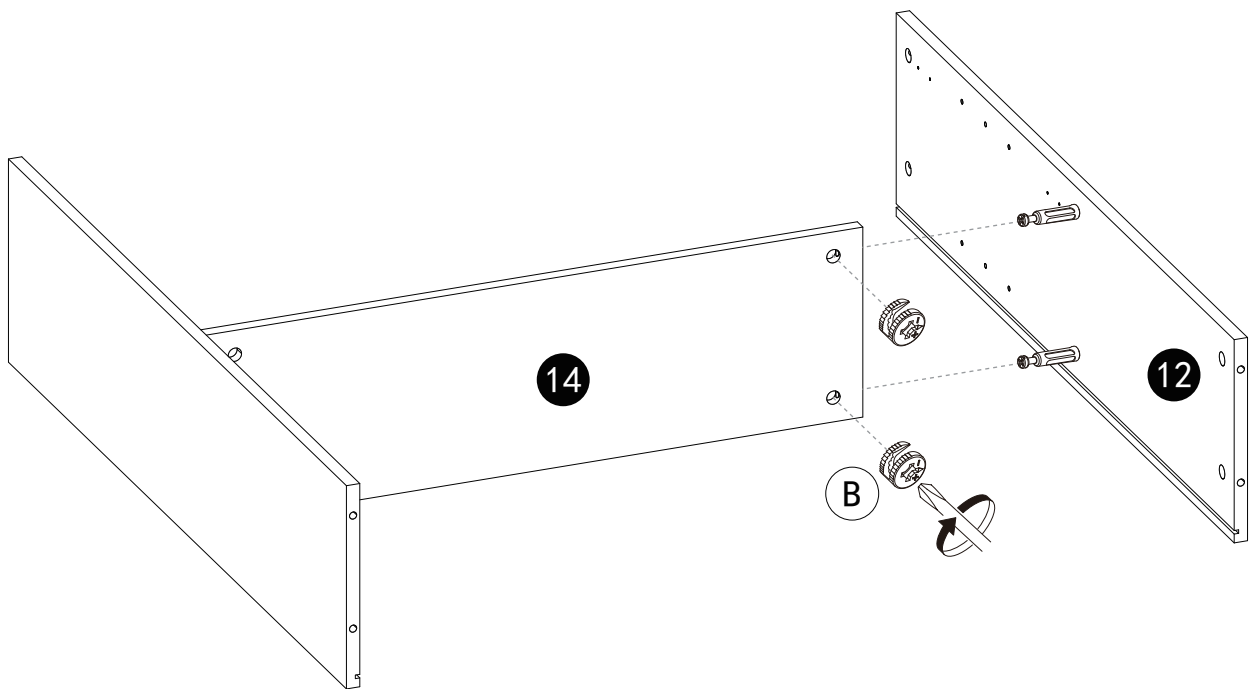
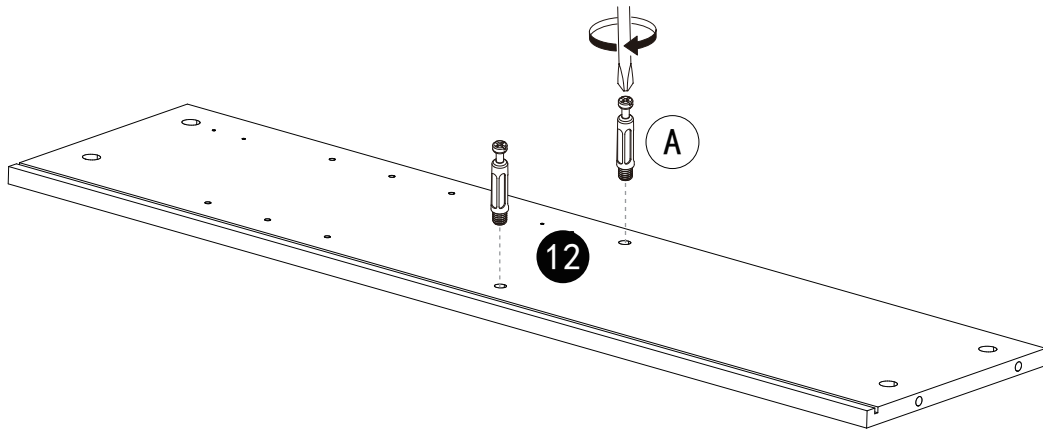
A		x2
B		x2



STEP 2



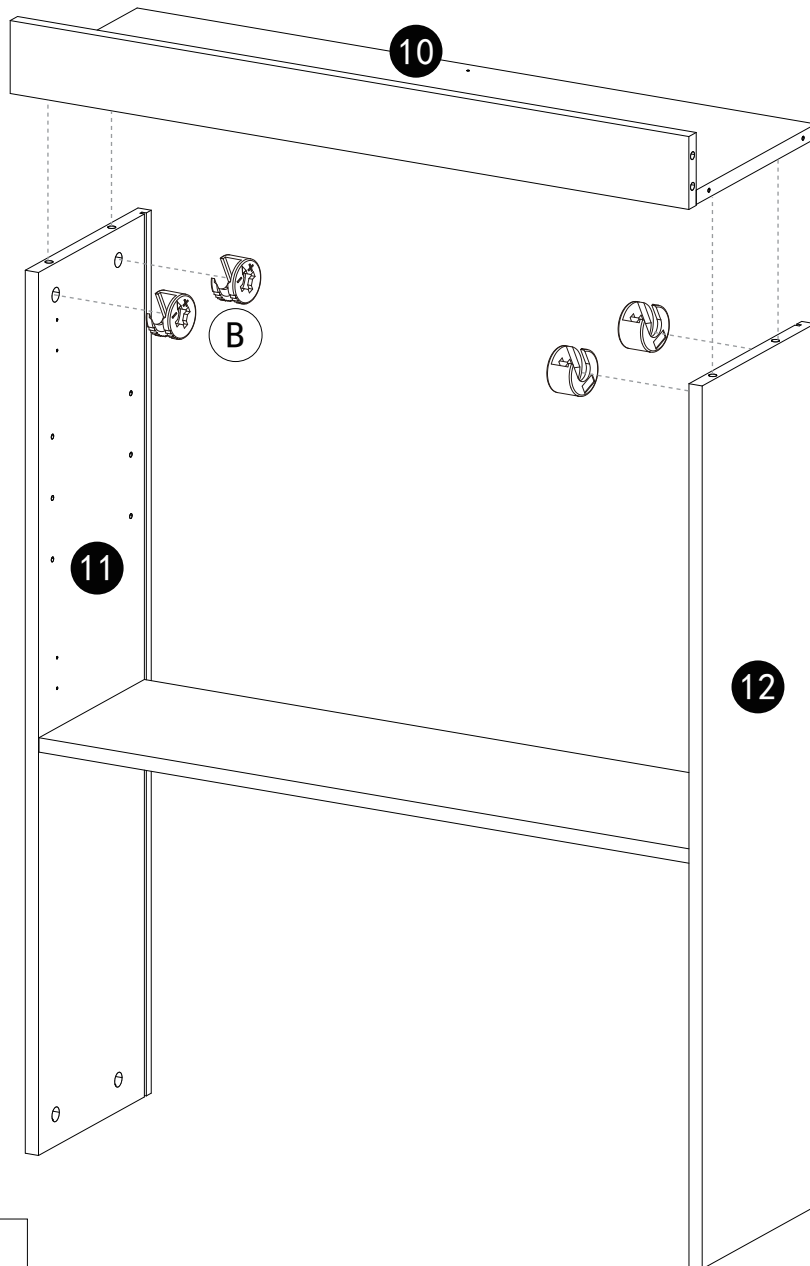
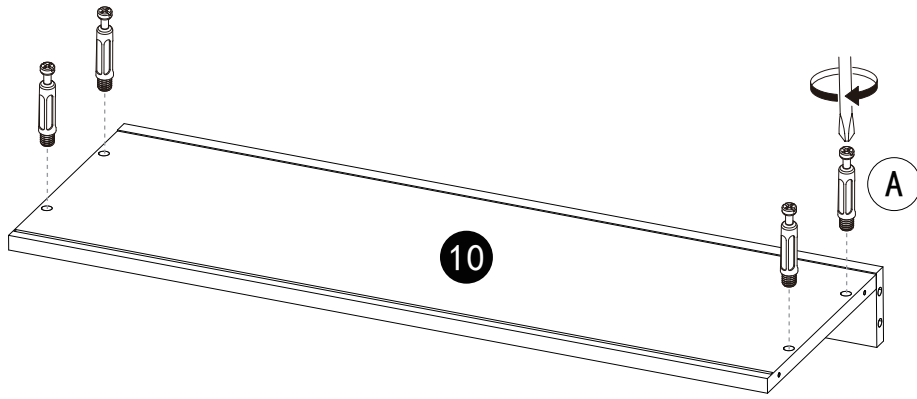
A		x2
B		x2



STEP 3



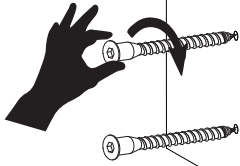
A		x2
B		x2

STEP 4



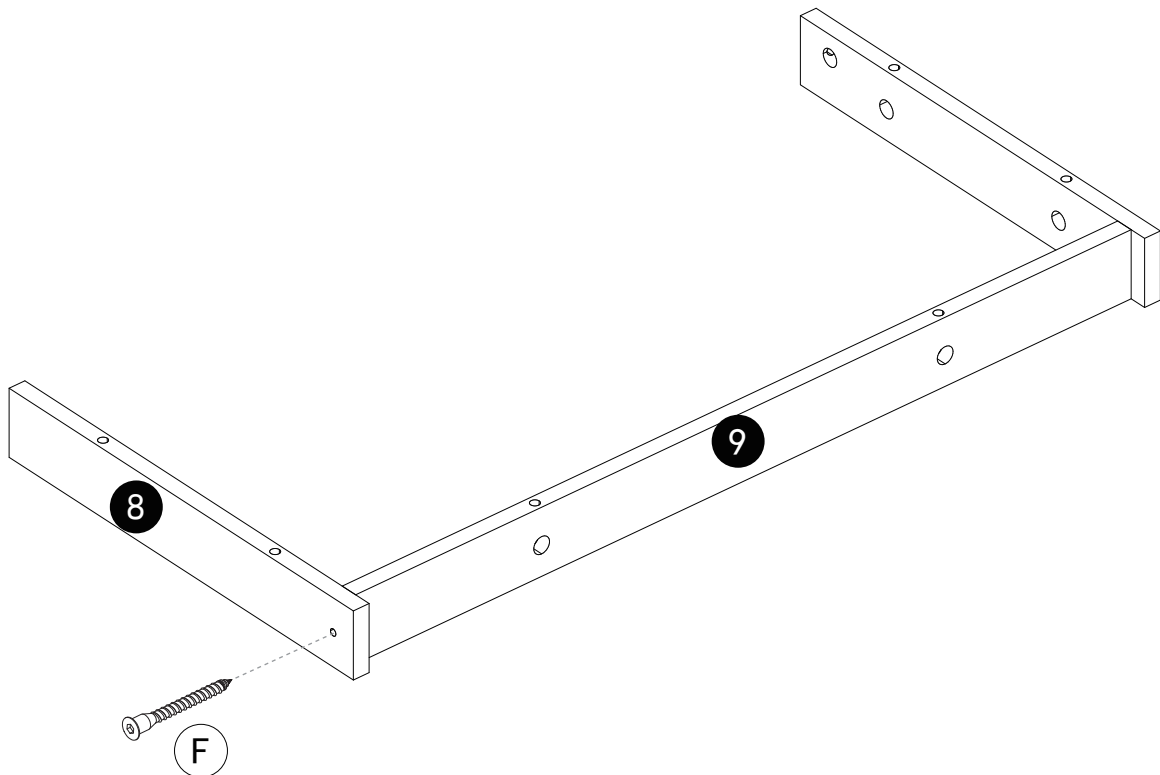
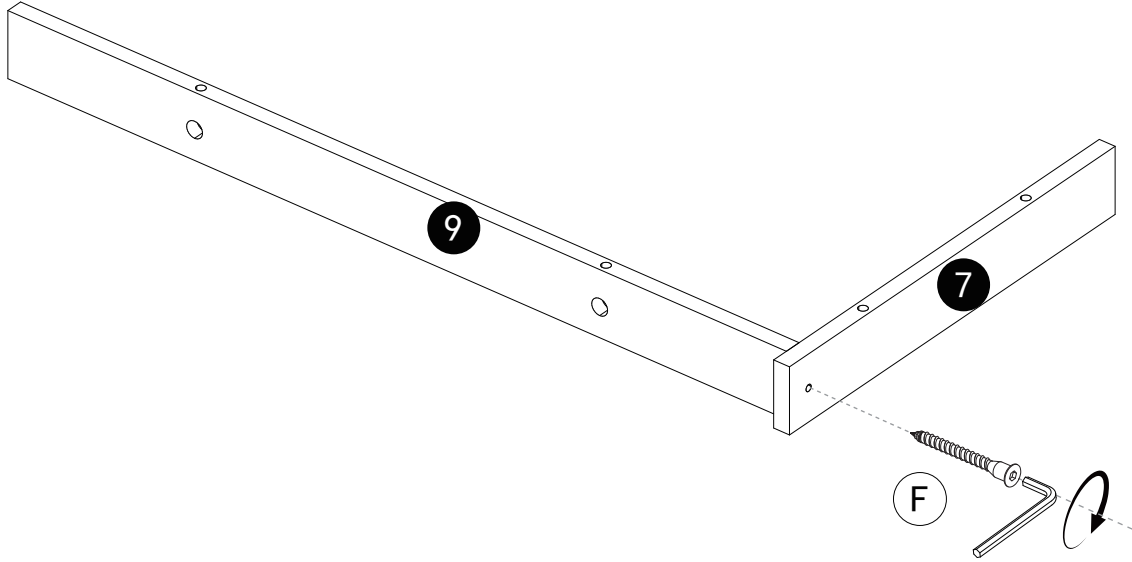
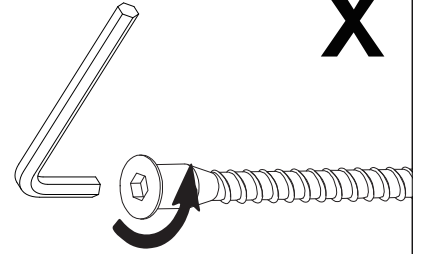
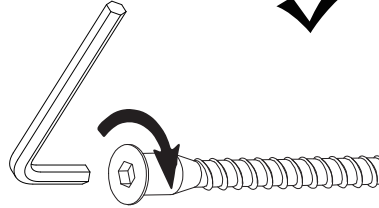
A		x4
B		x4

STEP 5



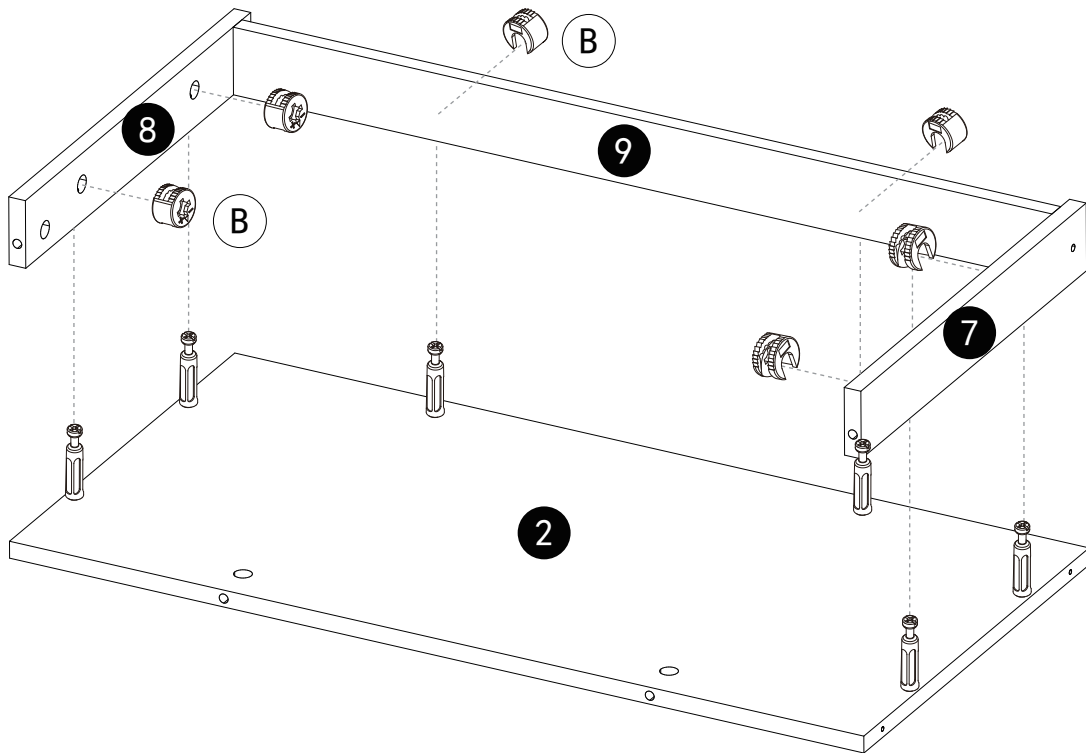
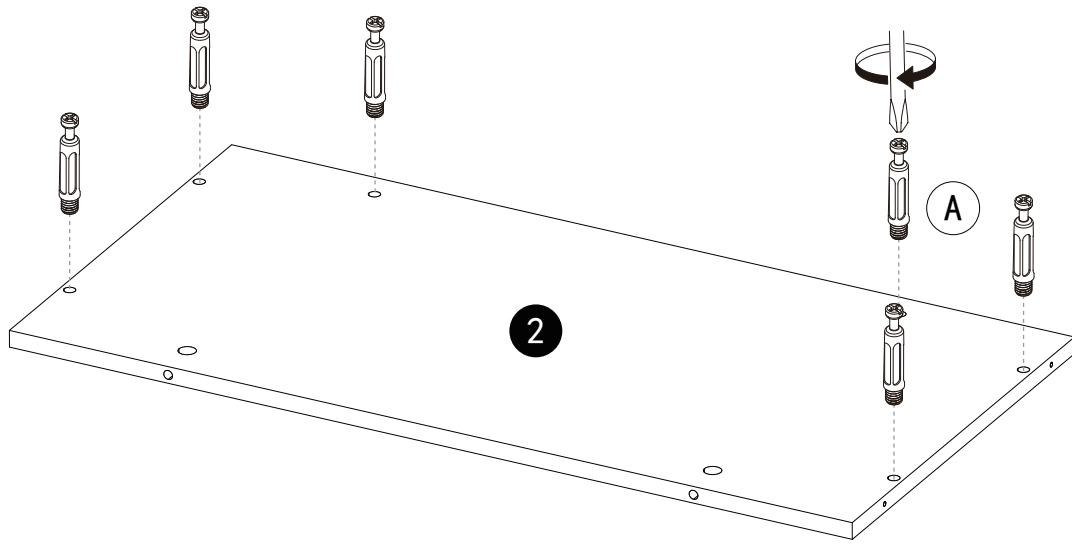
1



2



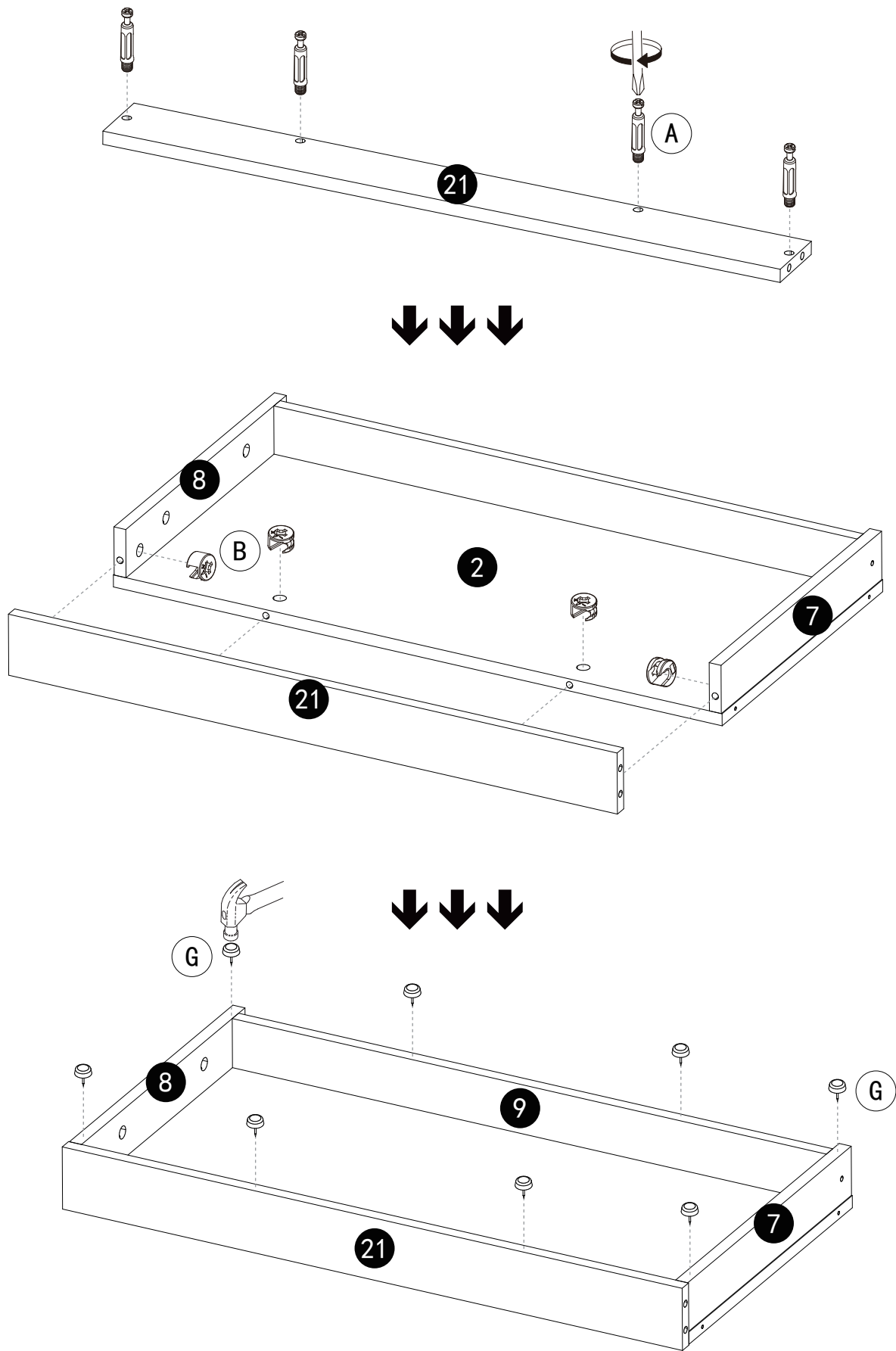
F		x2
---	---	----



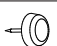
STEP 6



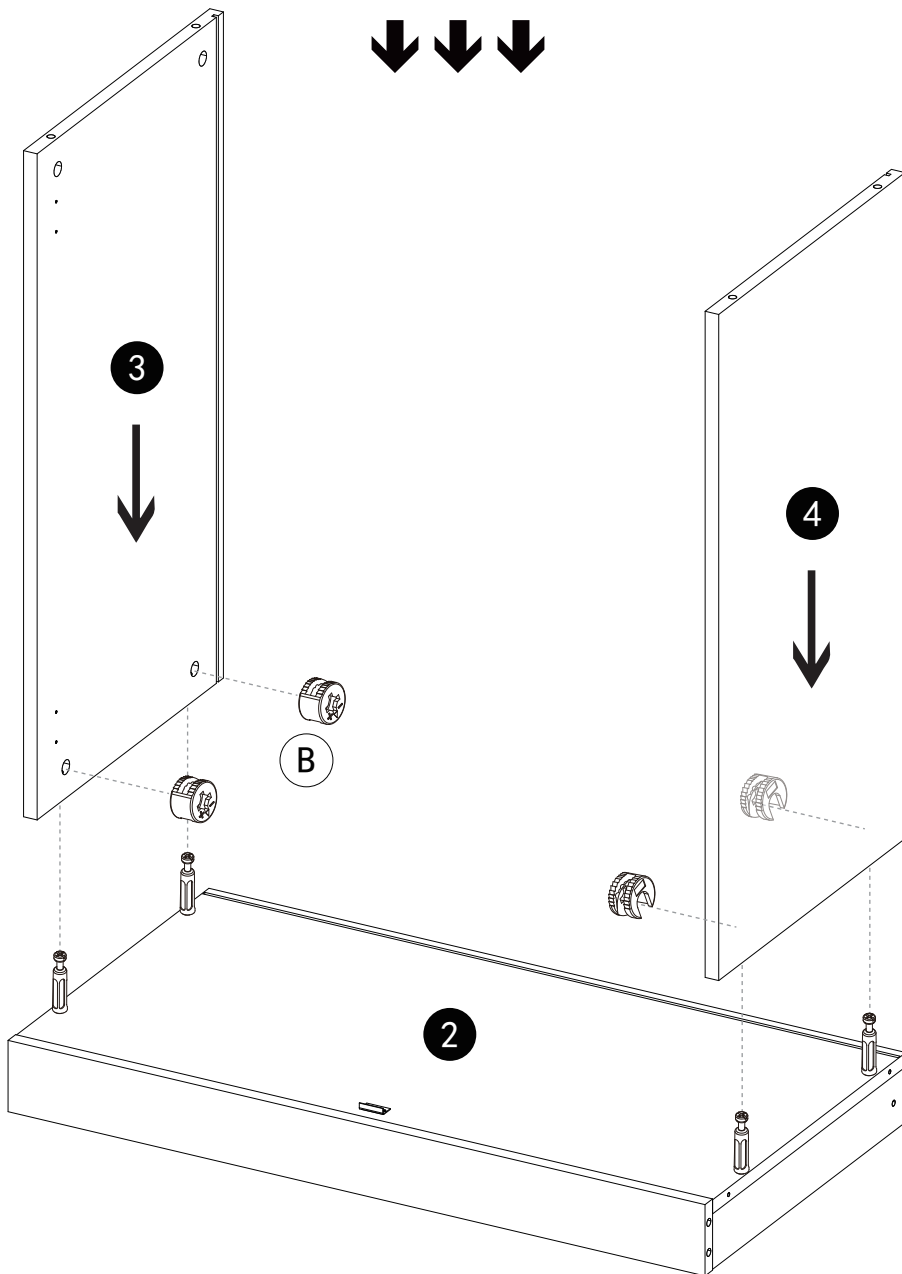
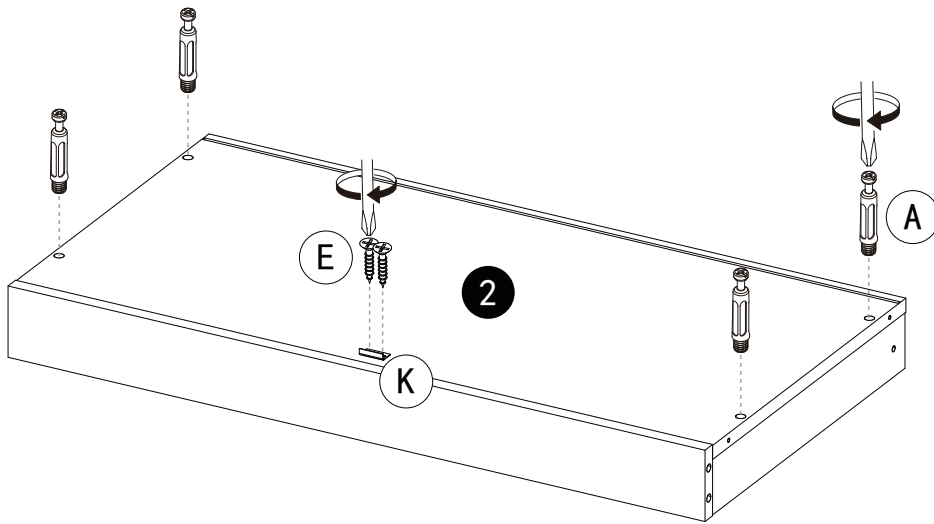
A		x6
B		x6


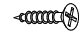


STEP 7



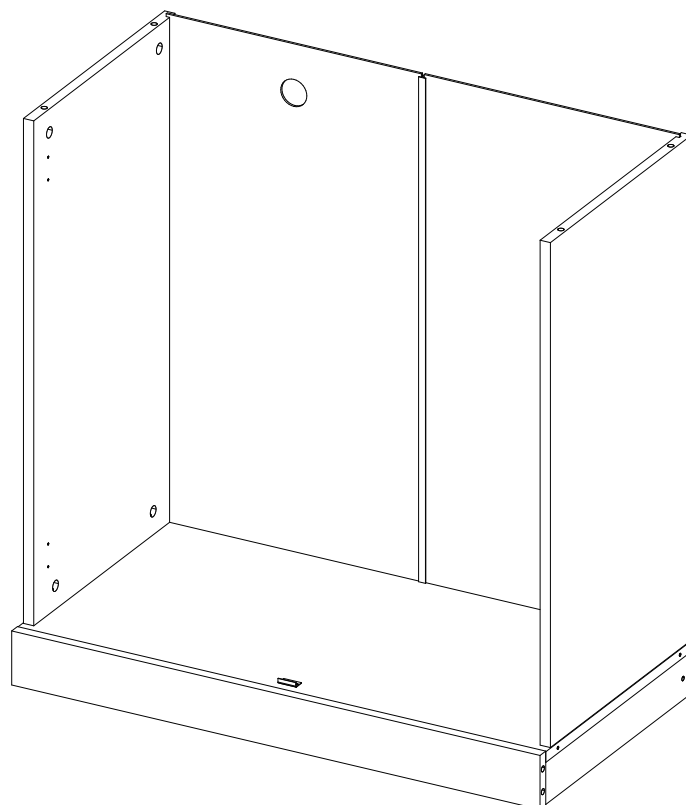
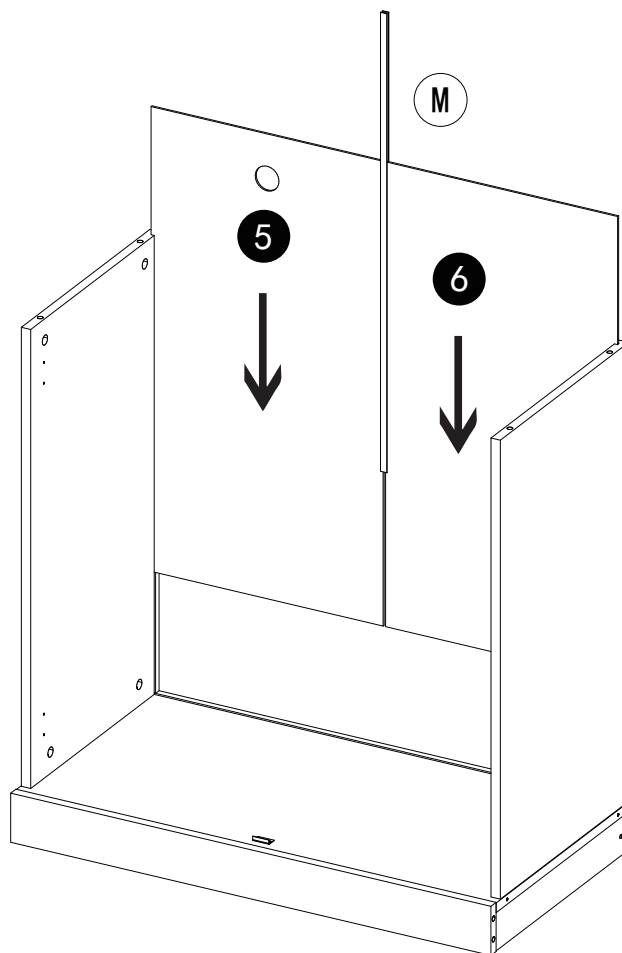
A		x4			
B		x4	G		x8


STEP 8



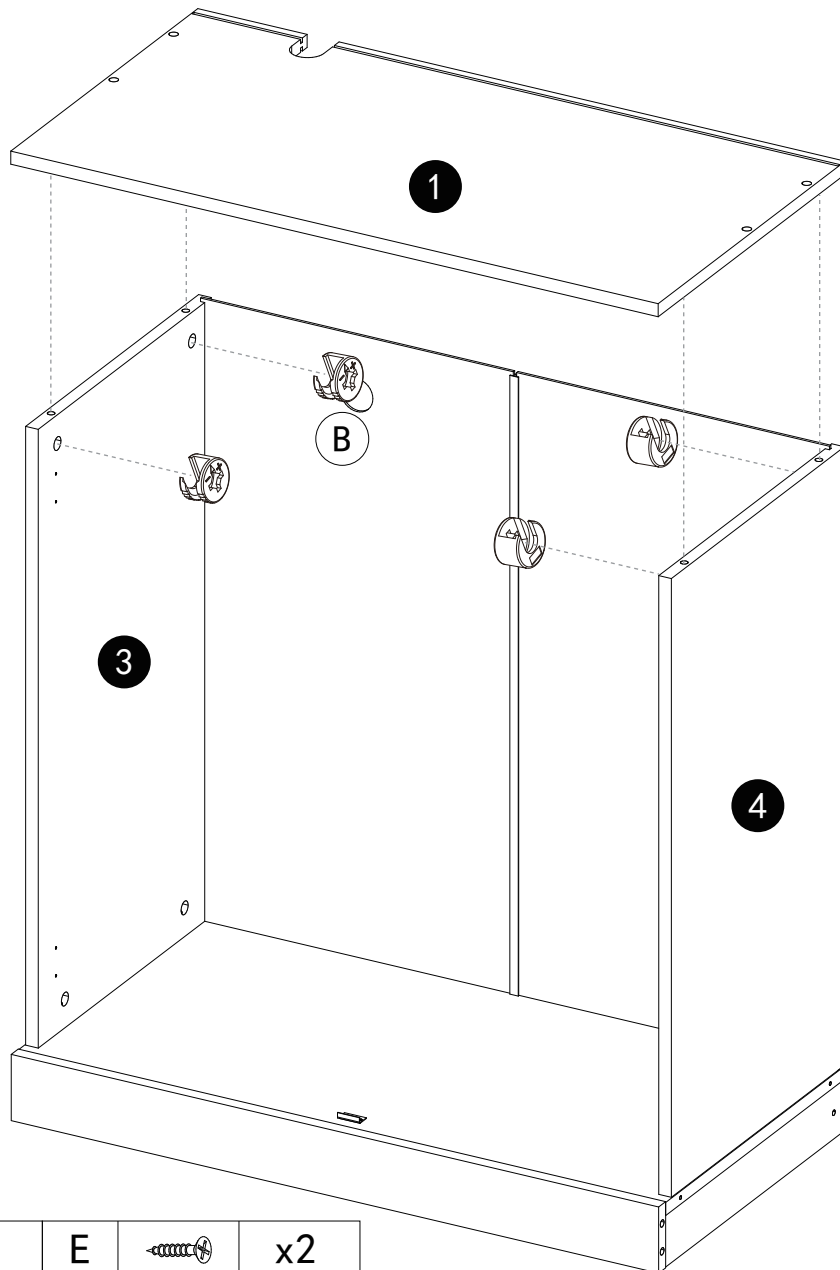
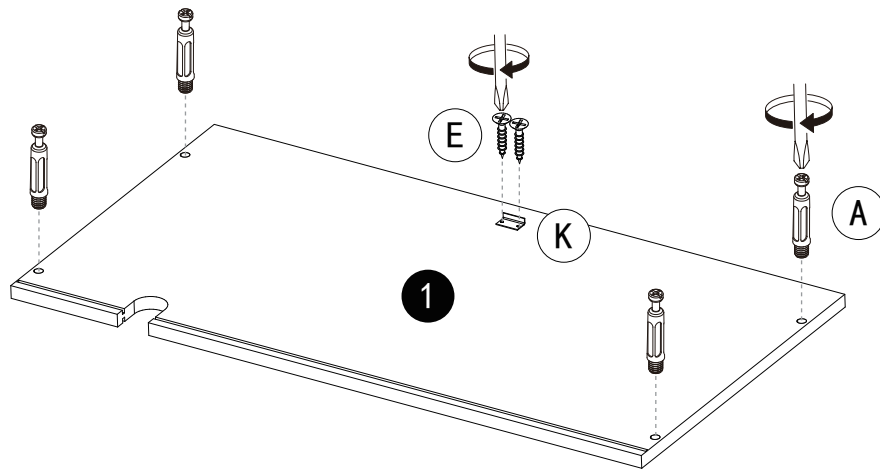
A		x4	E		x2
B		x4	K		x1

STEP 9



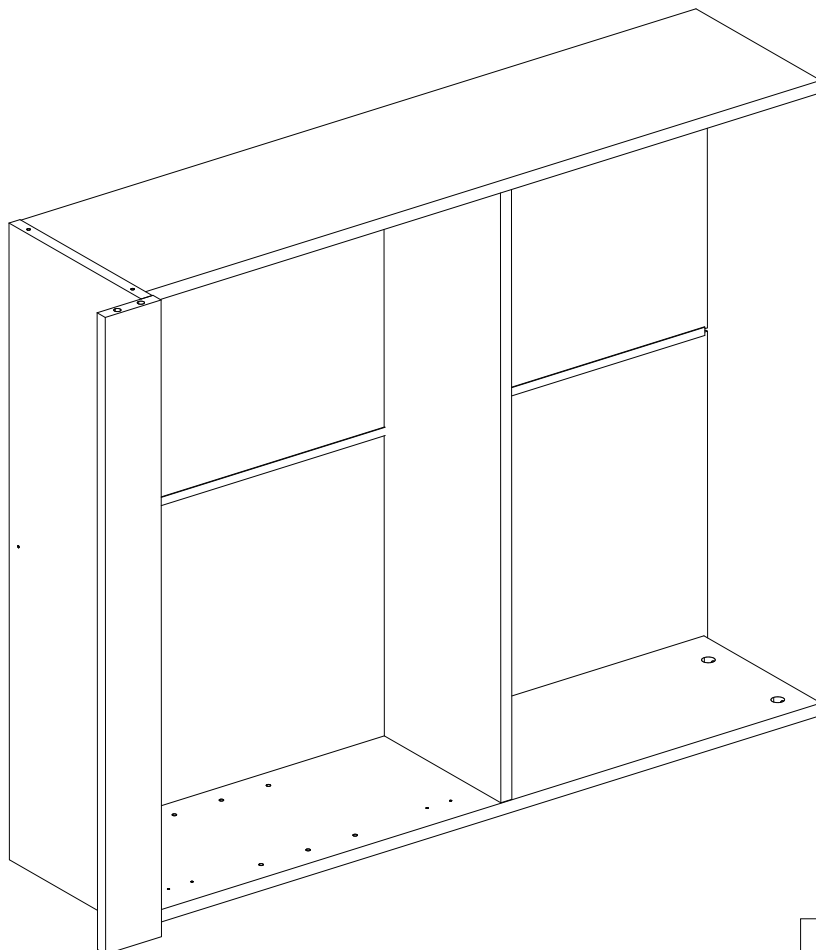
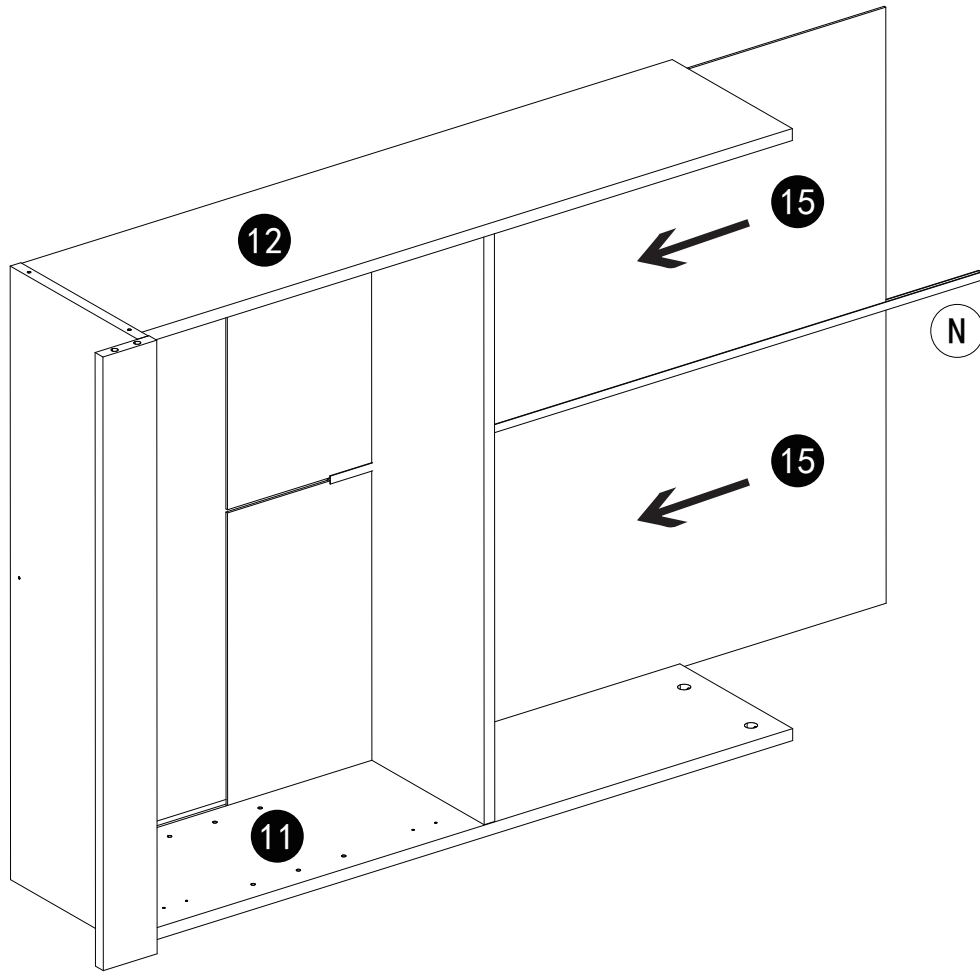
M		x1
---	---	----


STEP 10



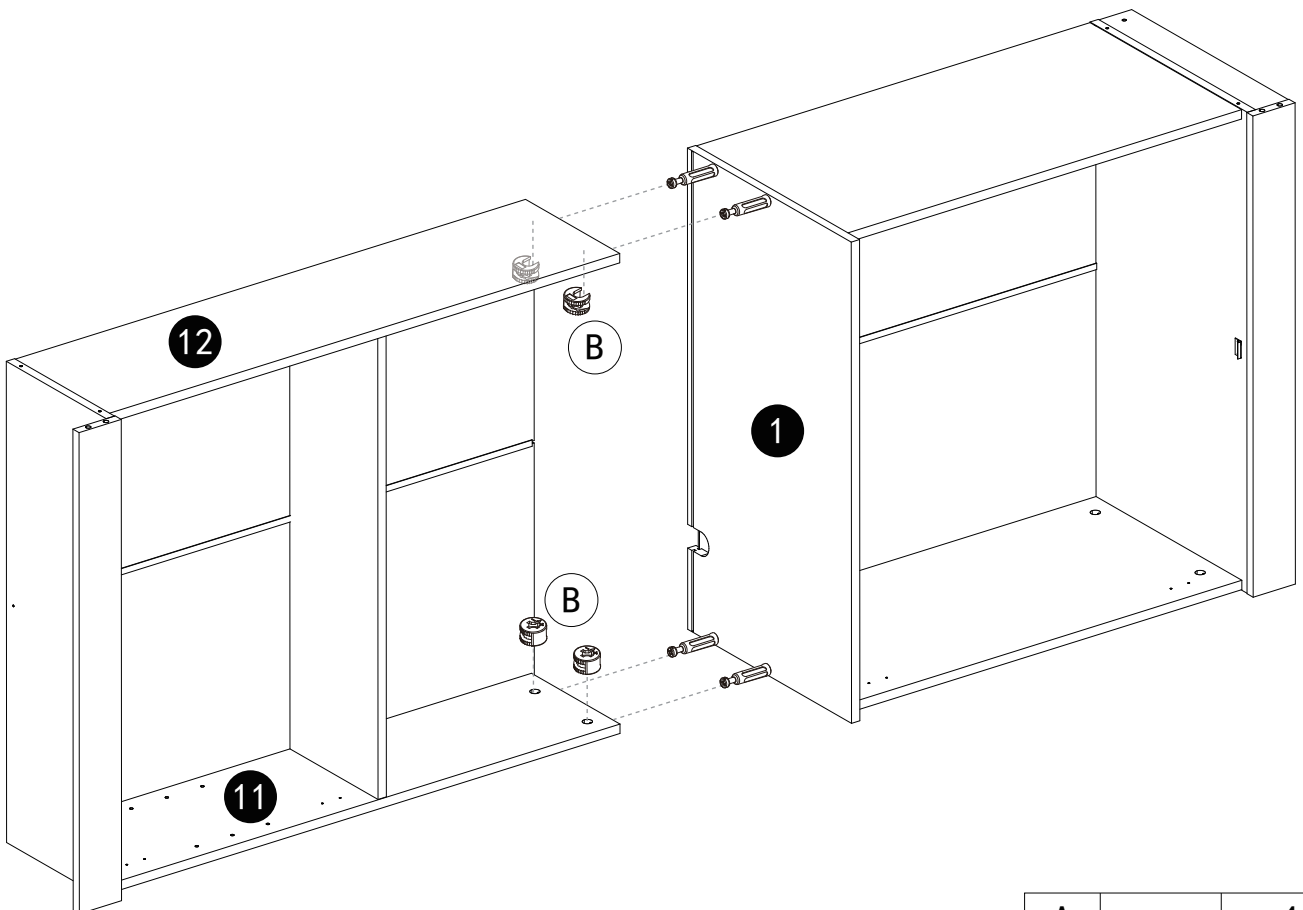
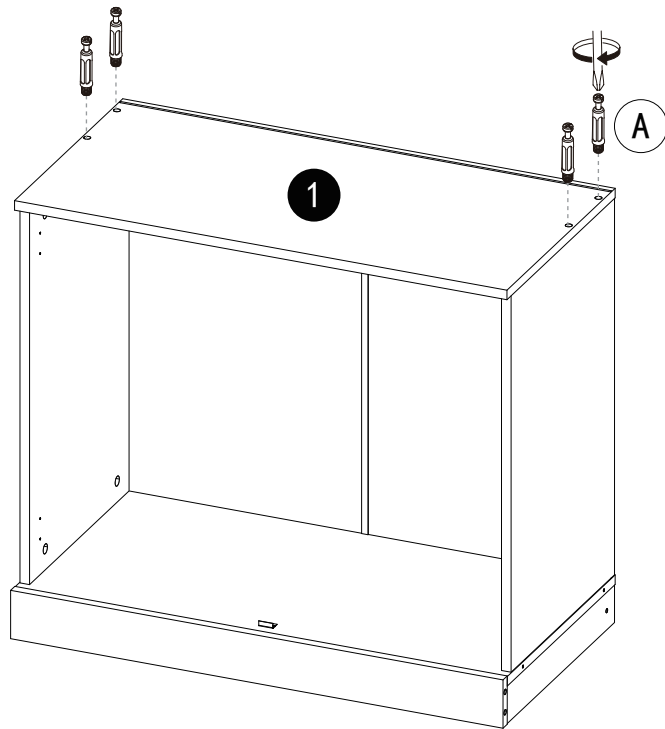
A		x4	E		x2
B		x4	K		x1



STEP 11



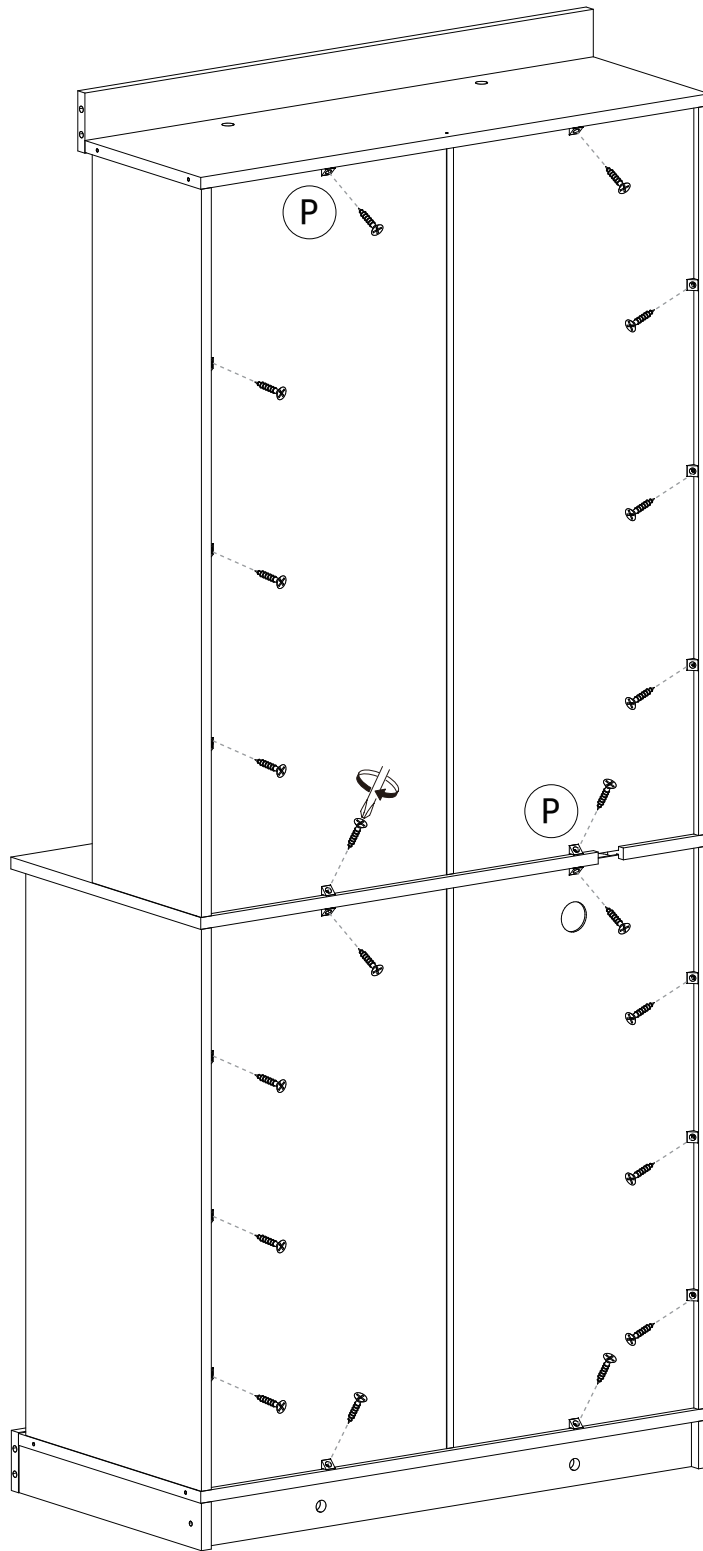
N		x1
---	---	----


STEP 12

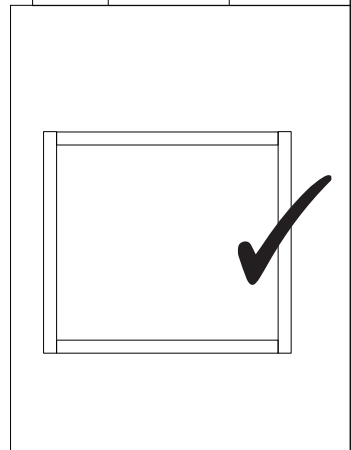
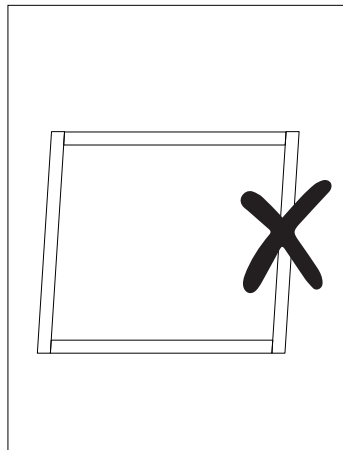
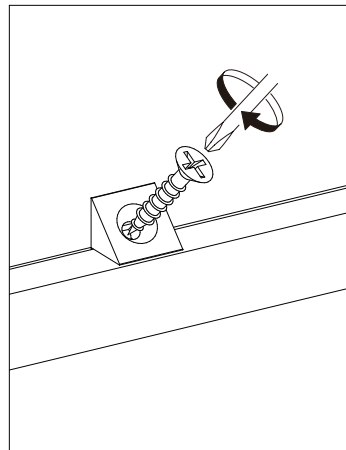
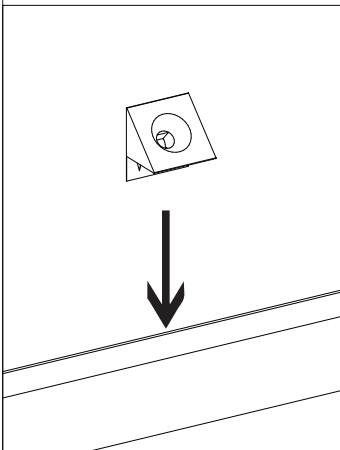


A		x4
B		x4

STEP 13

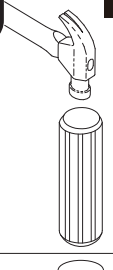


P  x20



STEP 14

1



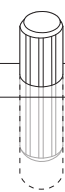
2



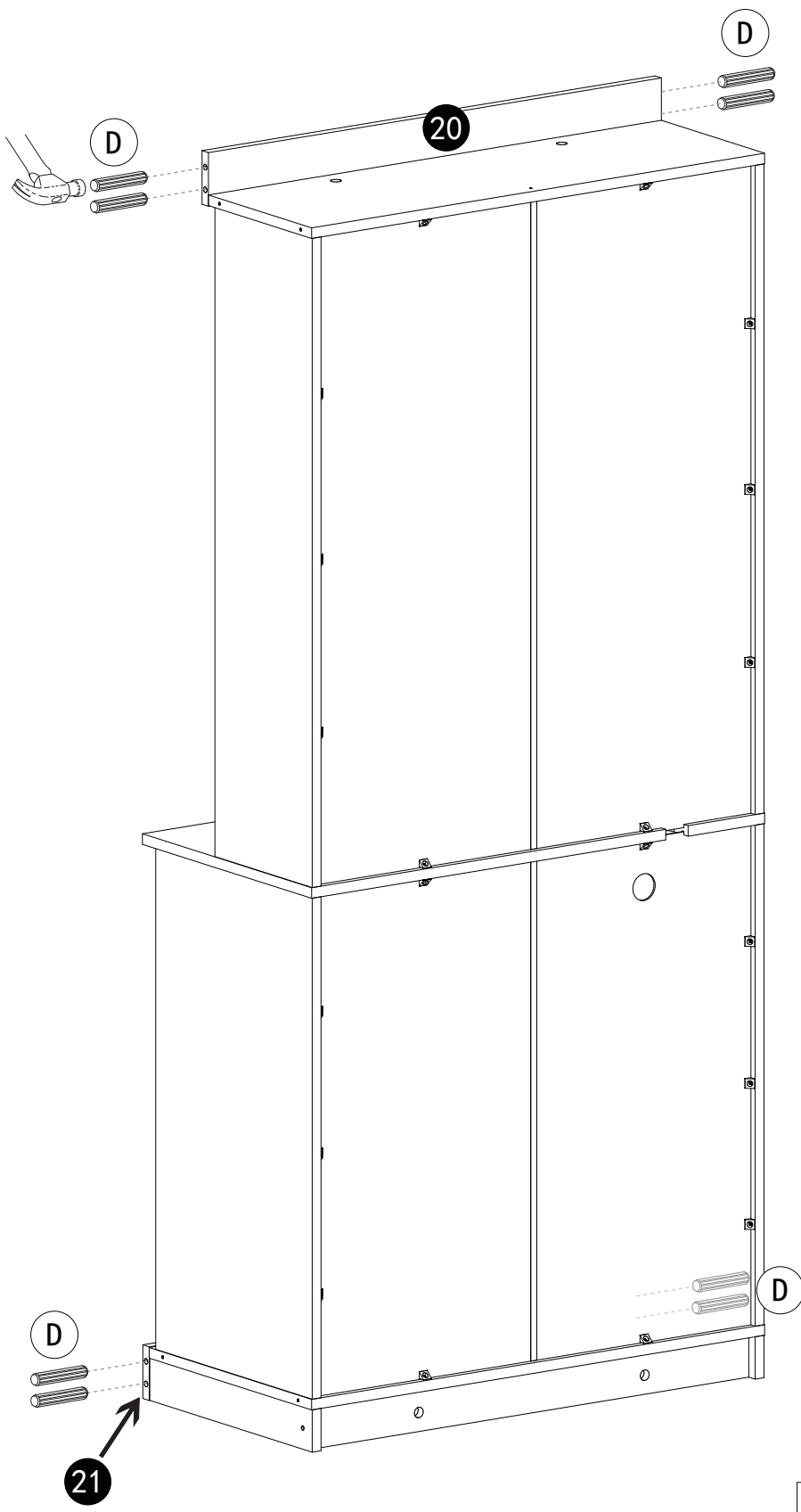
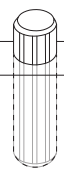
X




X

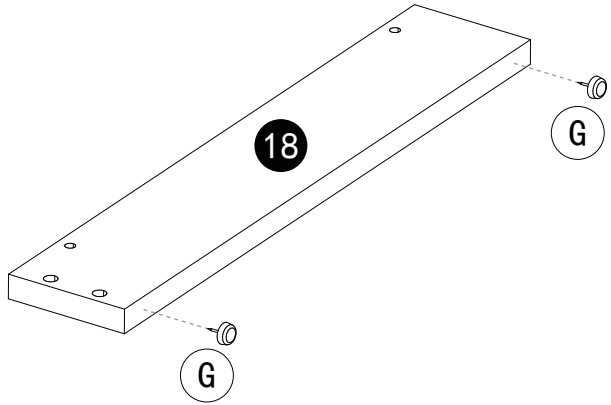
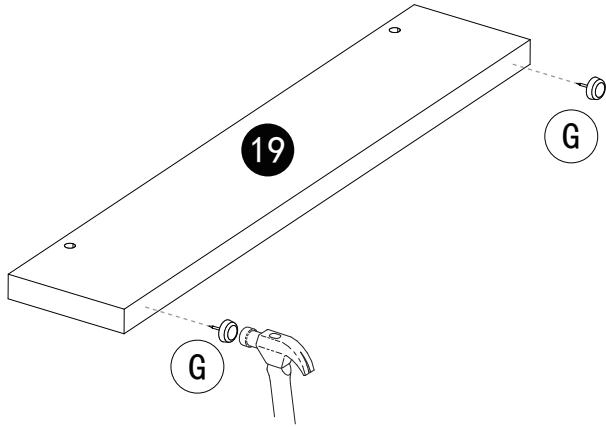


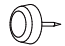
✓

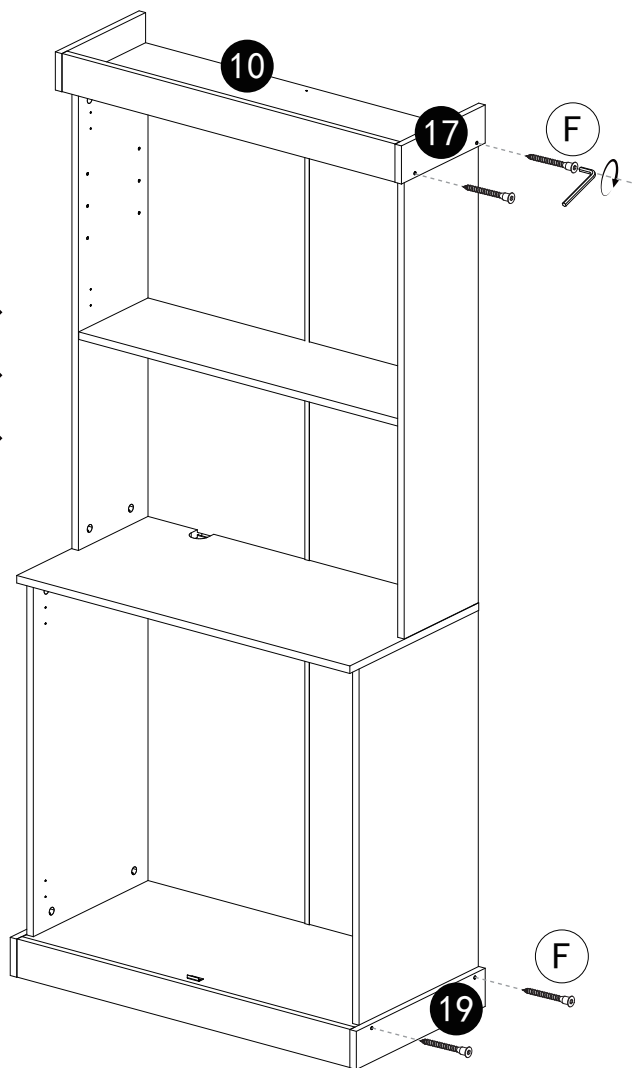
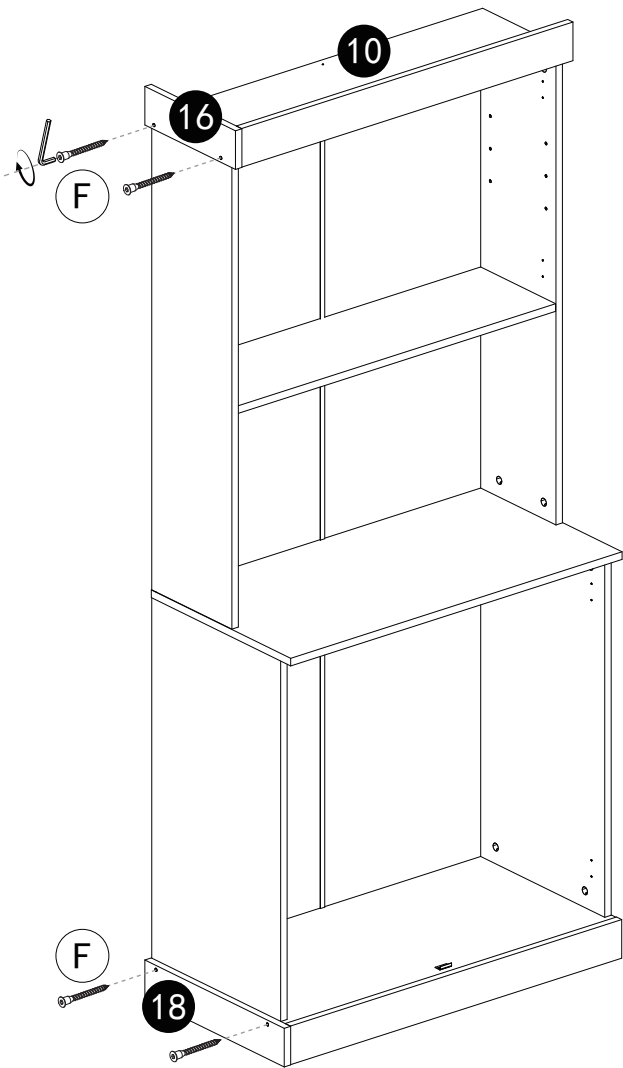


D		x8
---	---	----

STEP 15

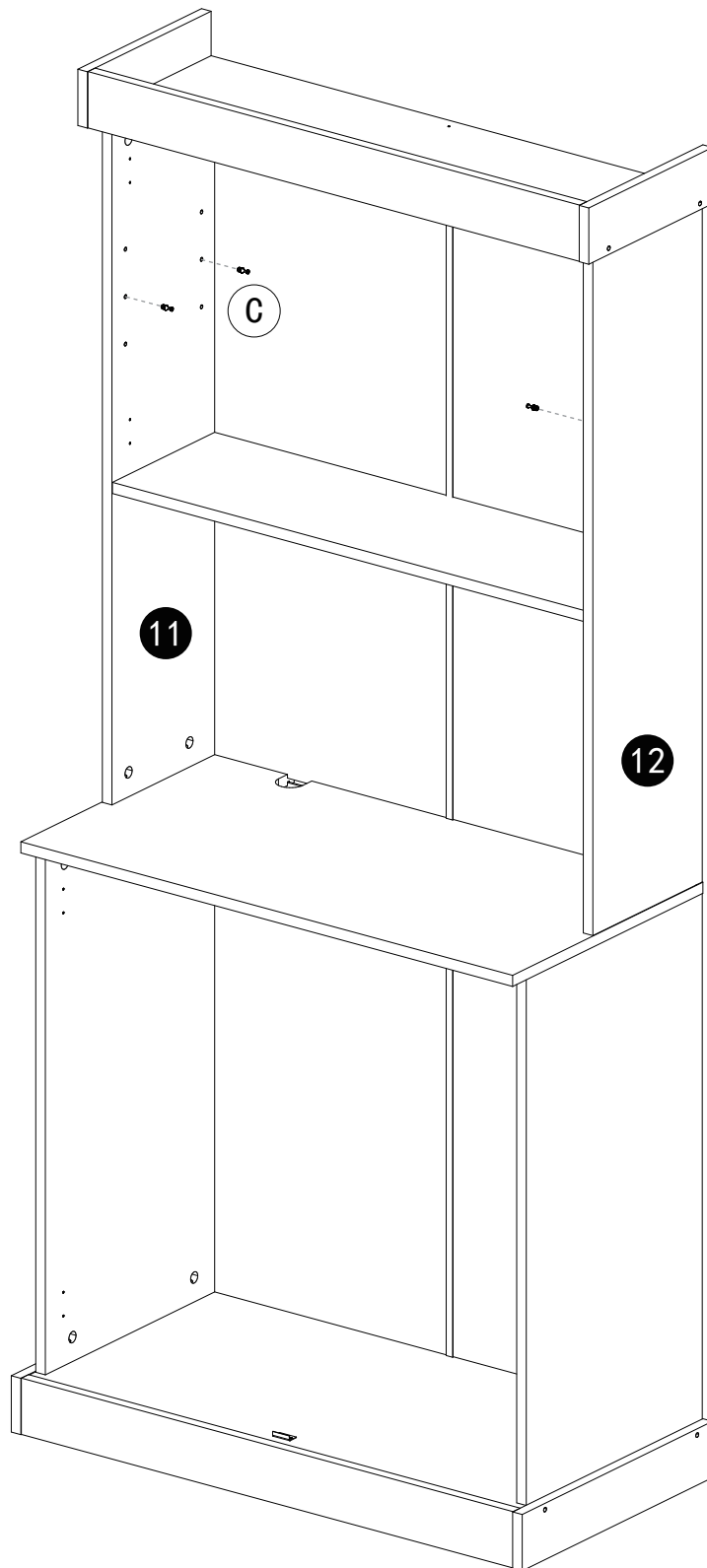
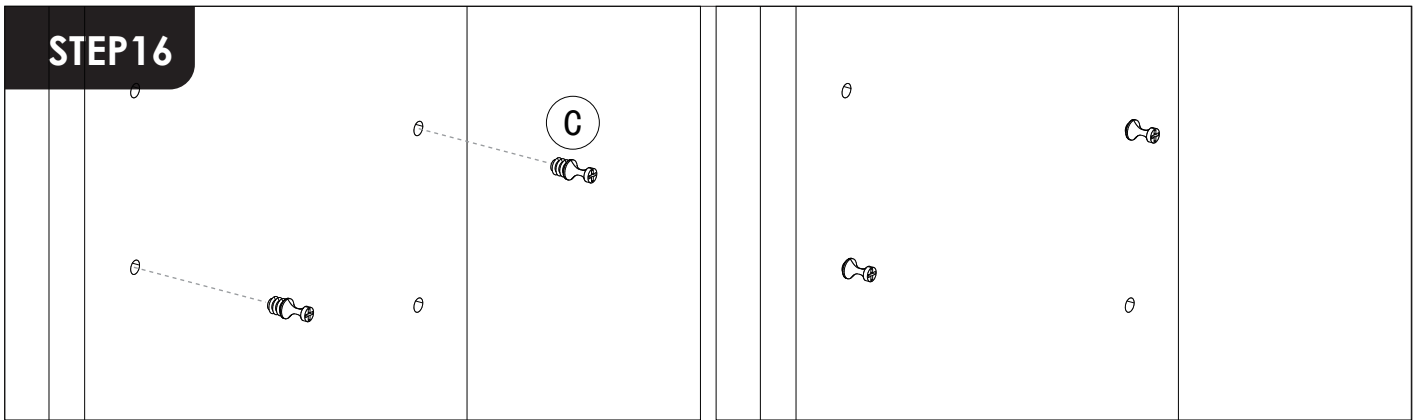



G		x4
---	---	----



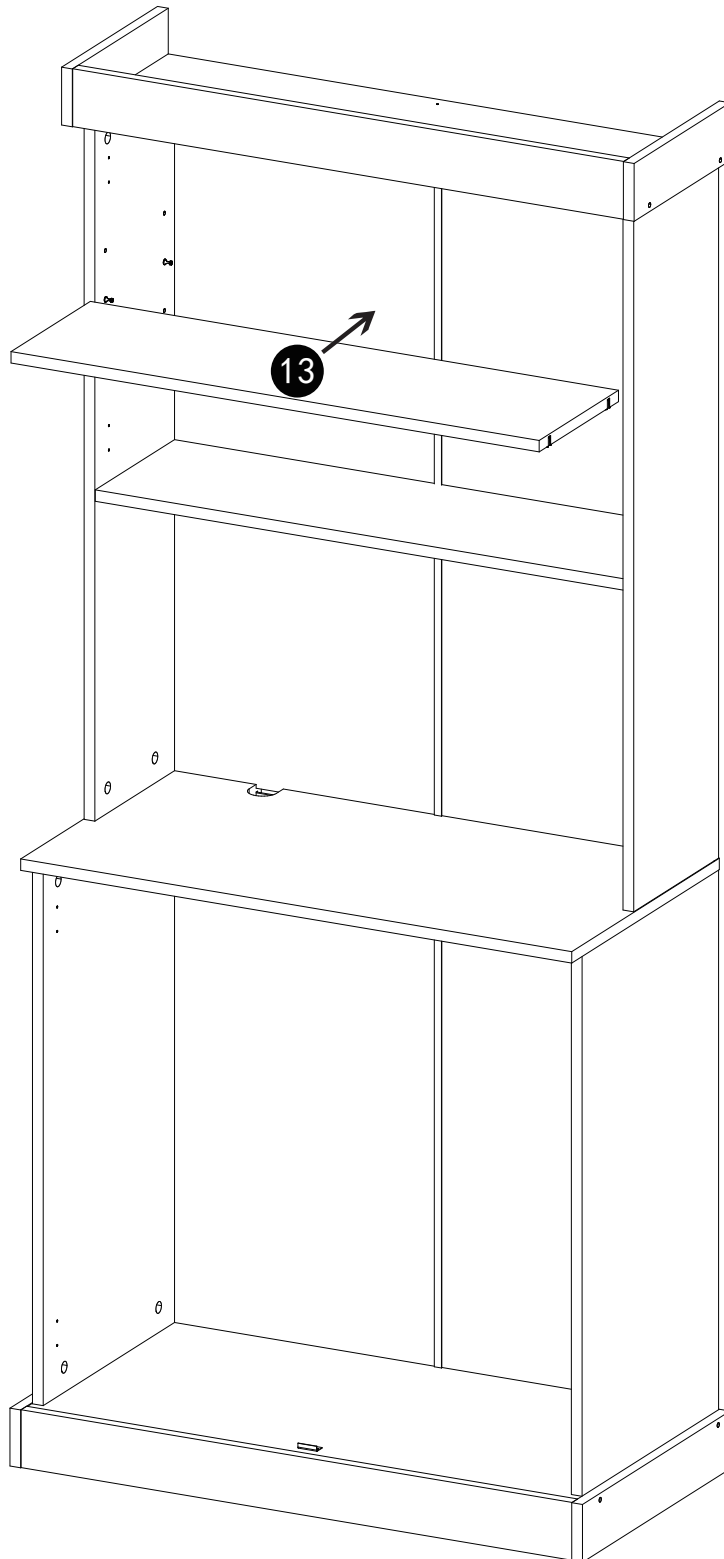
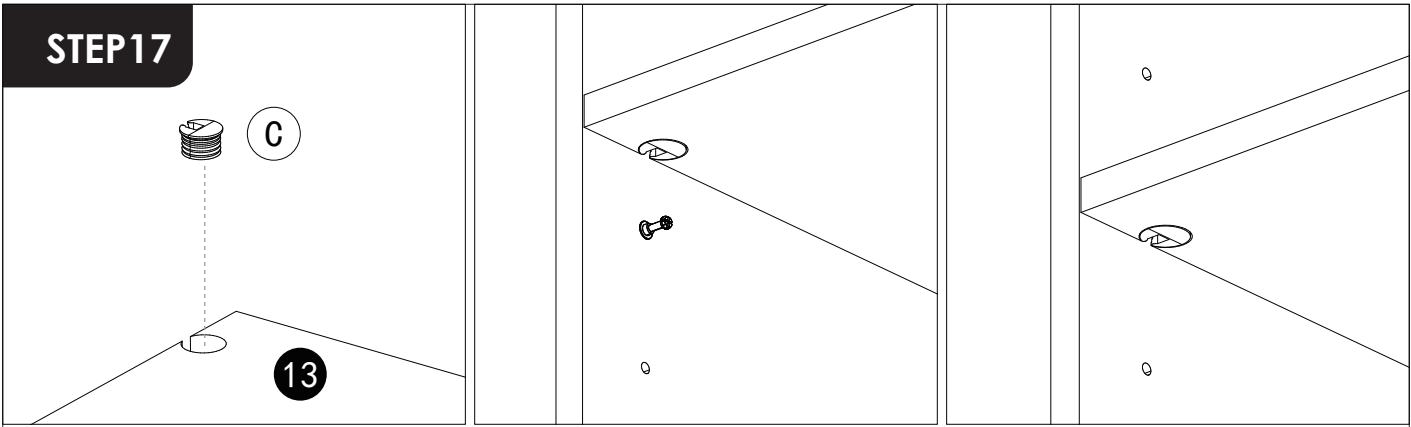
F		x8
---	---	----

STEP 16



C		x4
---	---	----

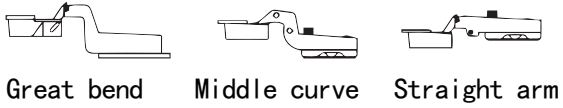
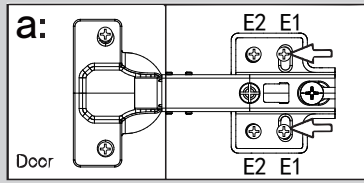
STEP 17



STEP 18

Hinge adjustment

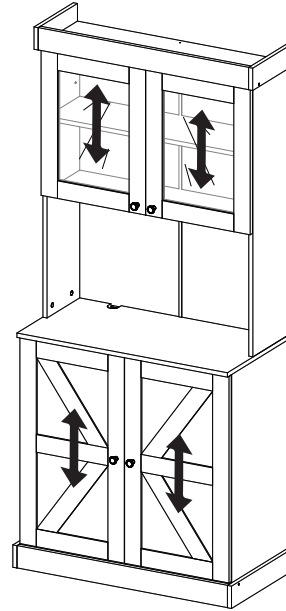
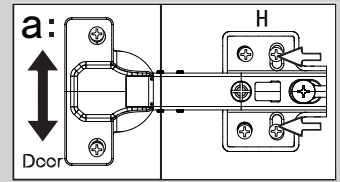
To facilitate the adjustment, install the E1 screw first, and then install the E2 screw.



Hinge adjustment

a: To move doors up or down: loosen screws shown and move doors to suit.

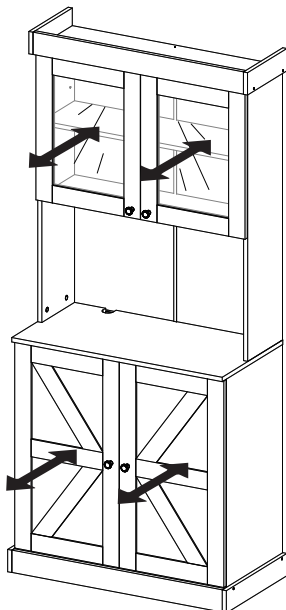
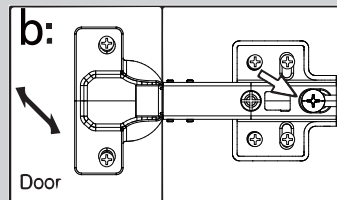
Once doors are aligned, re-tighten Screws H



Hinge adjustment

b: To move doors in or out: loosen screw shown and move doors to suit.

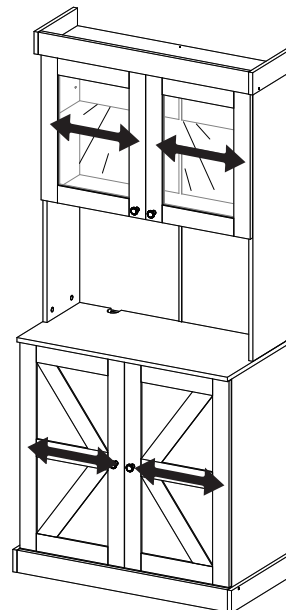
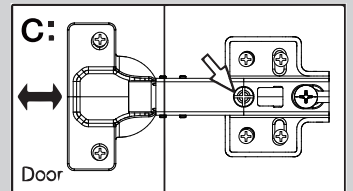
Re-tighten screws



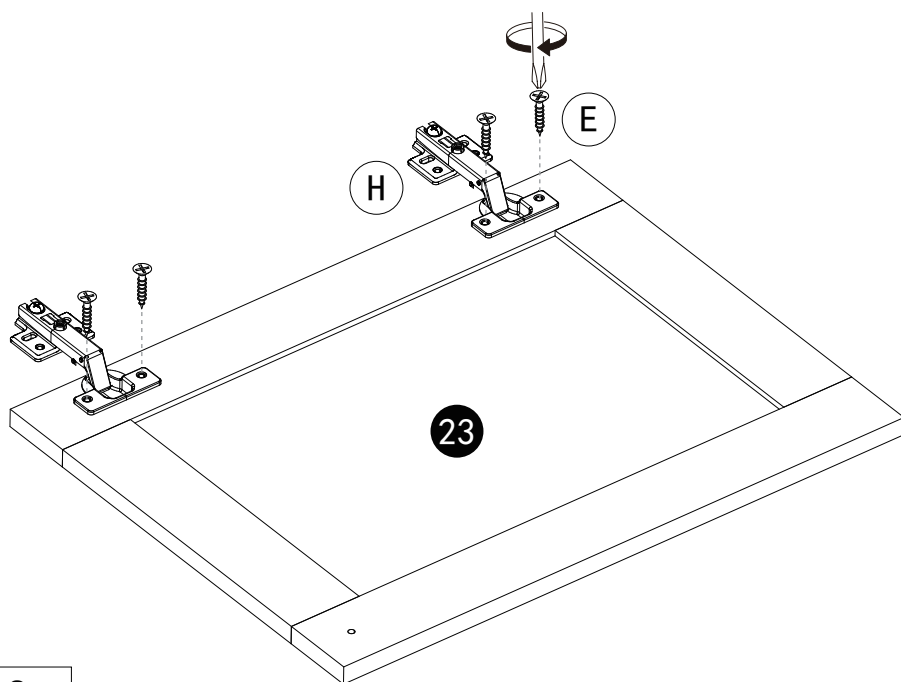
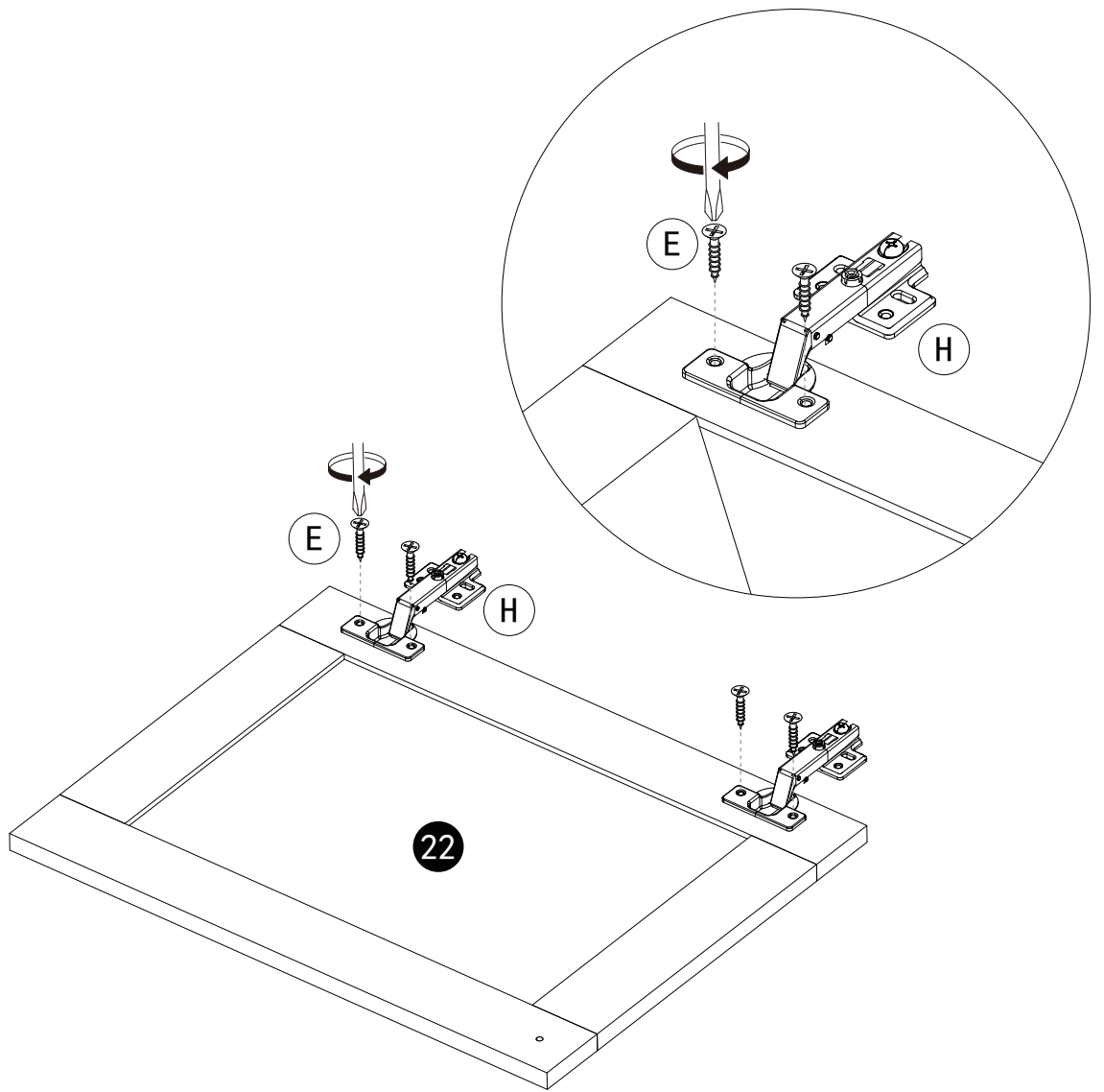
Hinge adjustment



c: To move doors left or right: loosen screw shown and move doors to suit.

Re-tighten screws

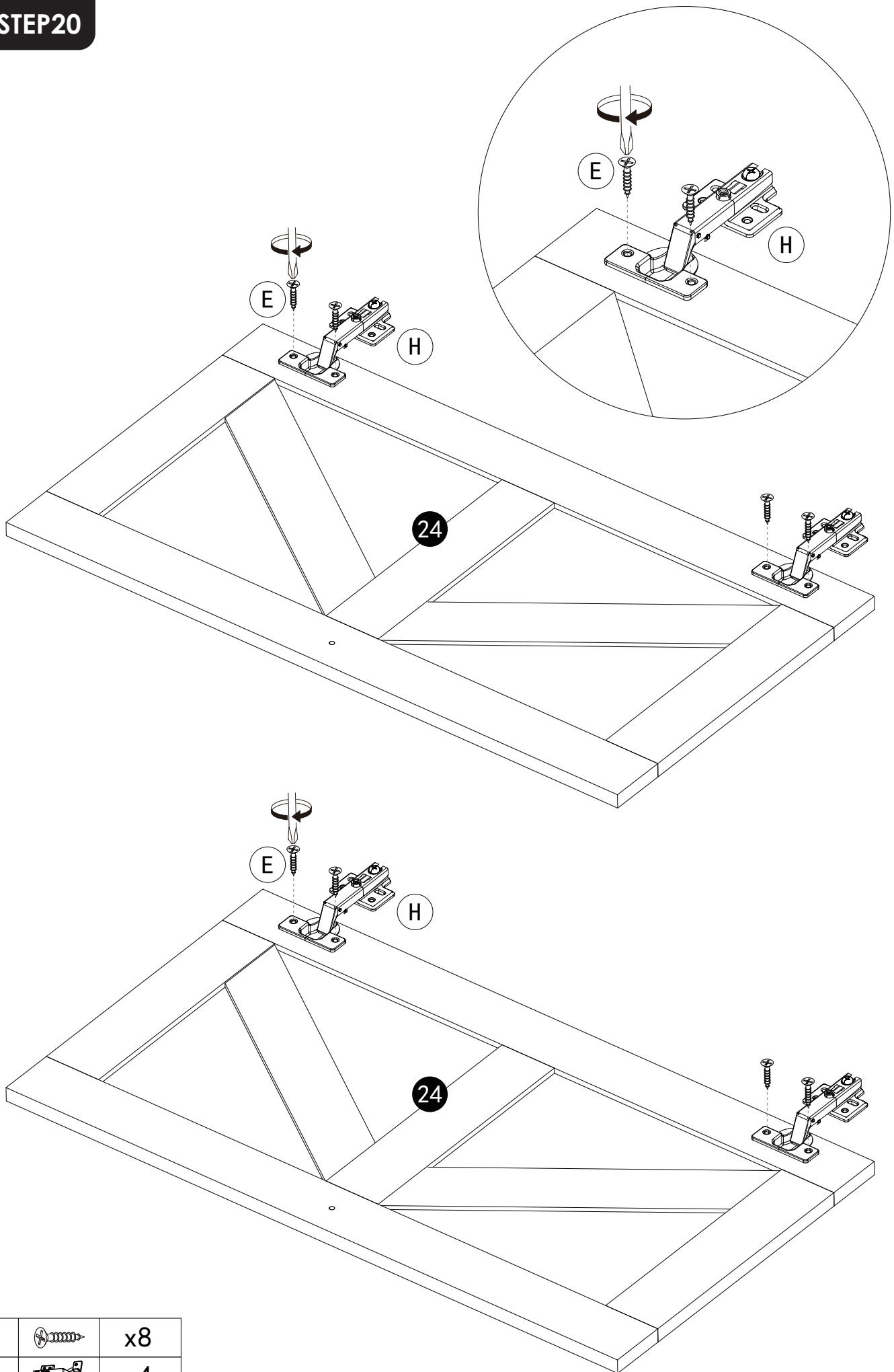




STEP 19



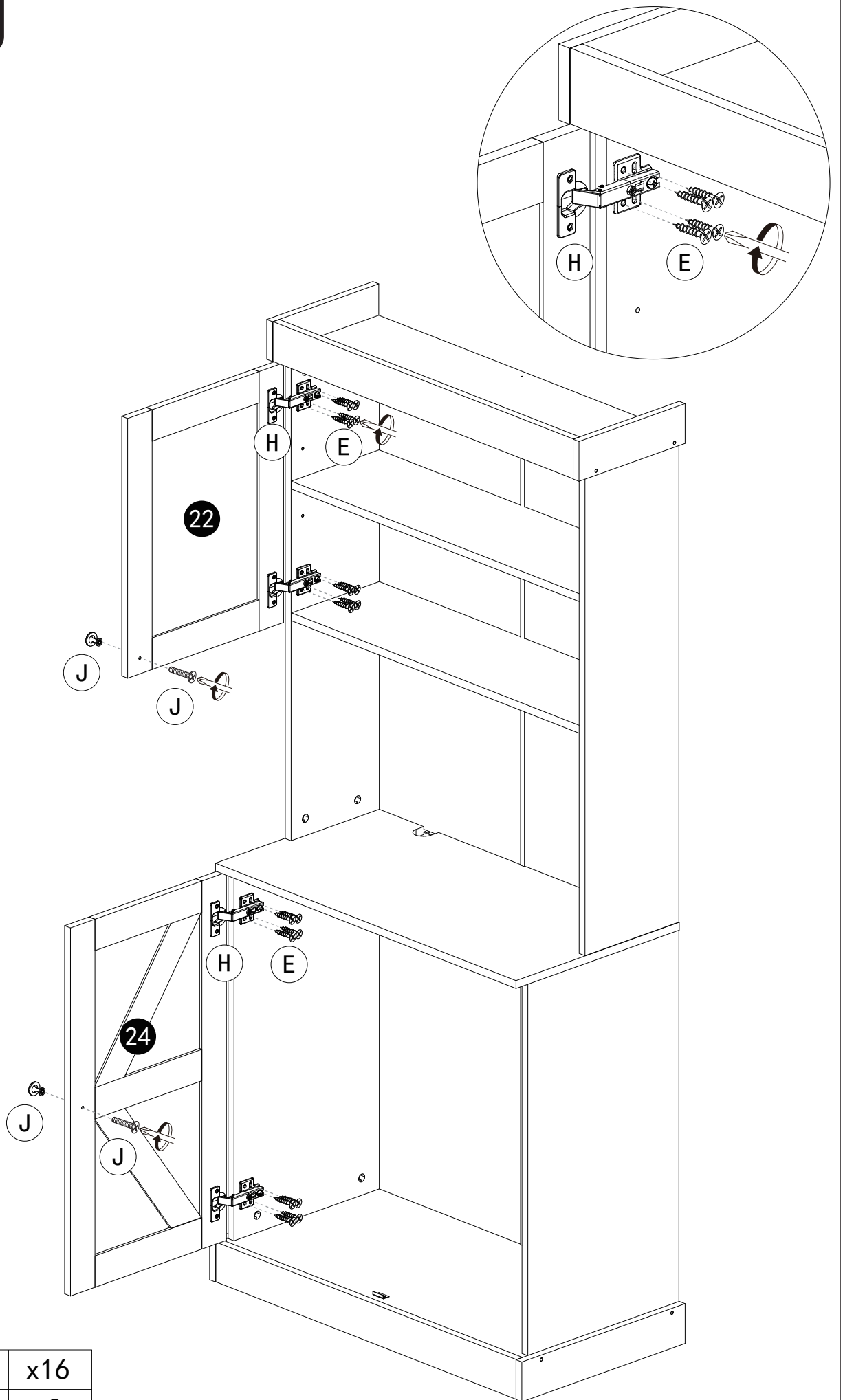
E		x8
H		x4



STEP 20



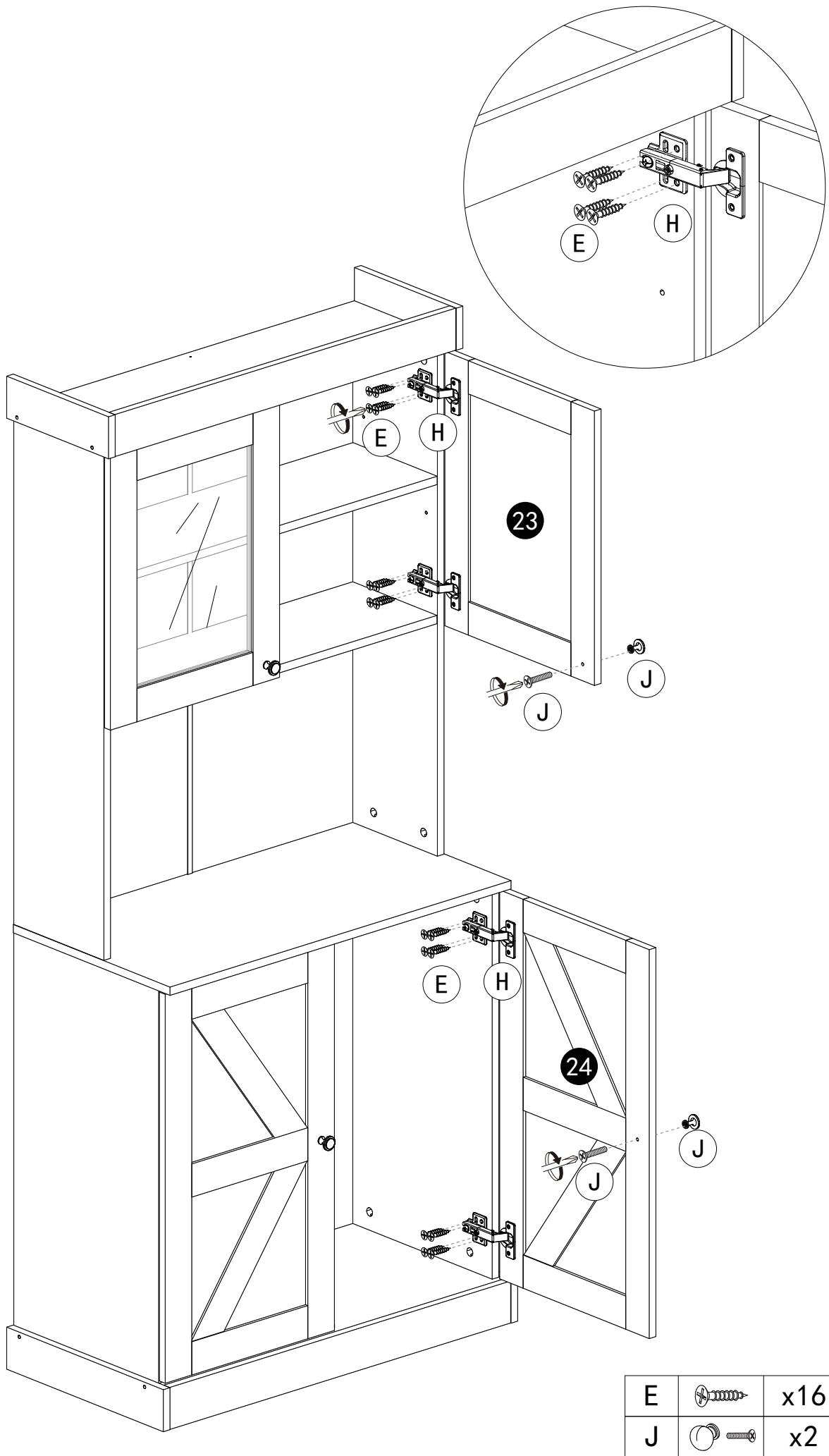
E		x8
H		x4

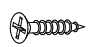

STEP 21



E		x16
J		x2

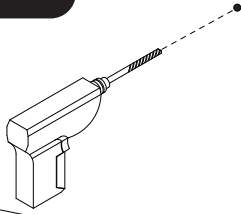
STEP 22



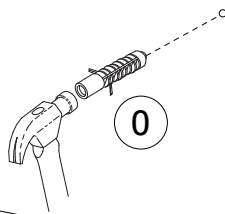
E		x16
J		x2

STEP 23

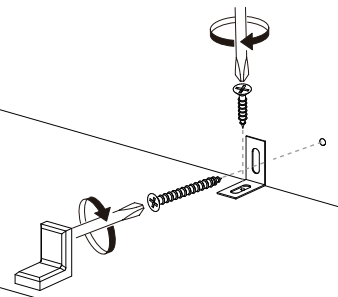
1



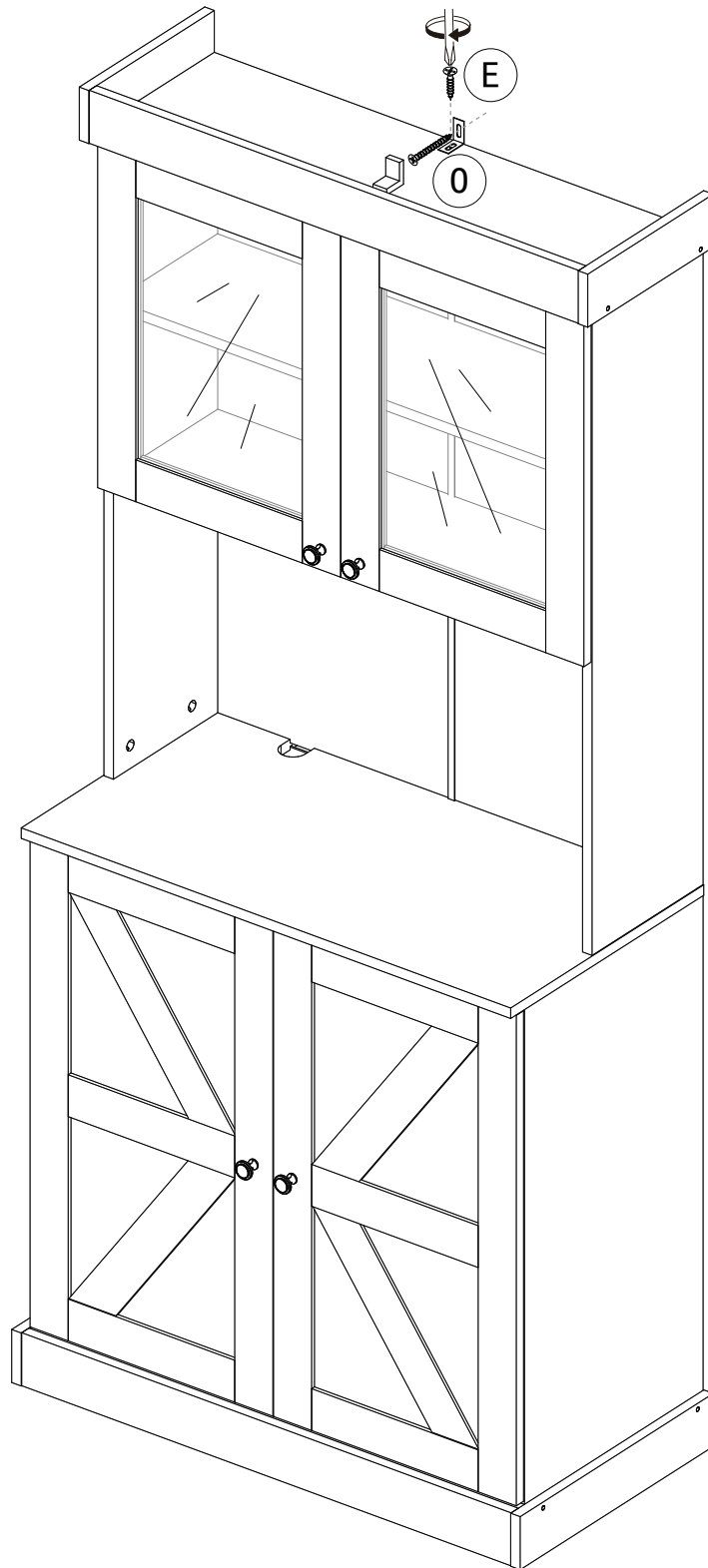
2

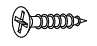



3

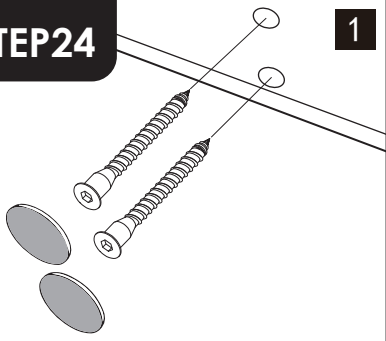


Note: If you buy two cabinets to be combined together, please do not install this step.



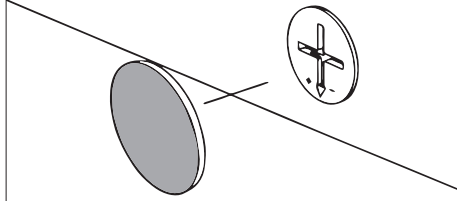
E		x1
0		x1

STEP 24

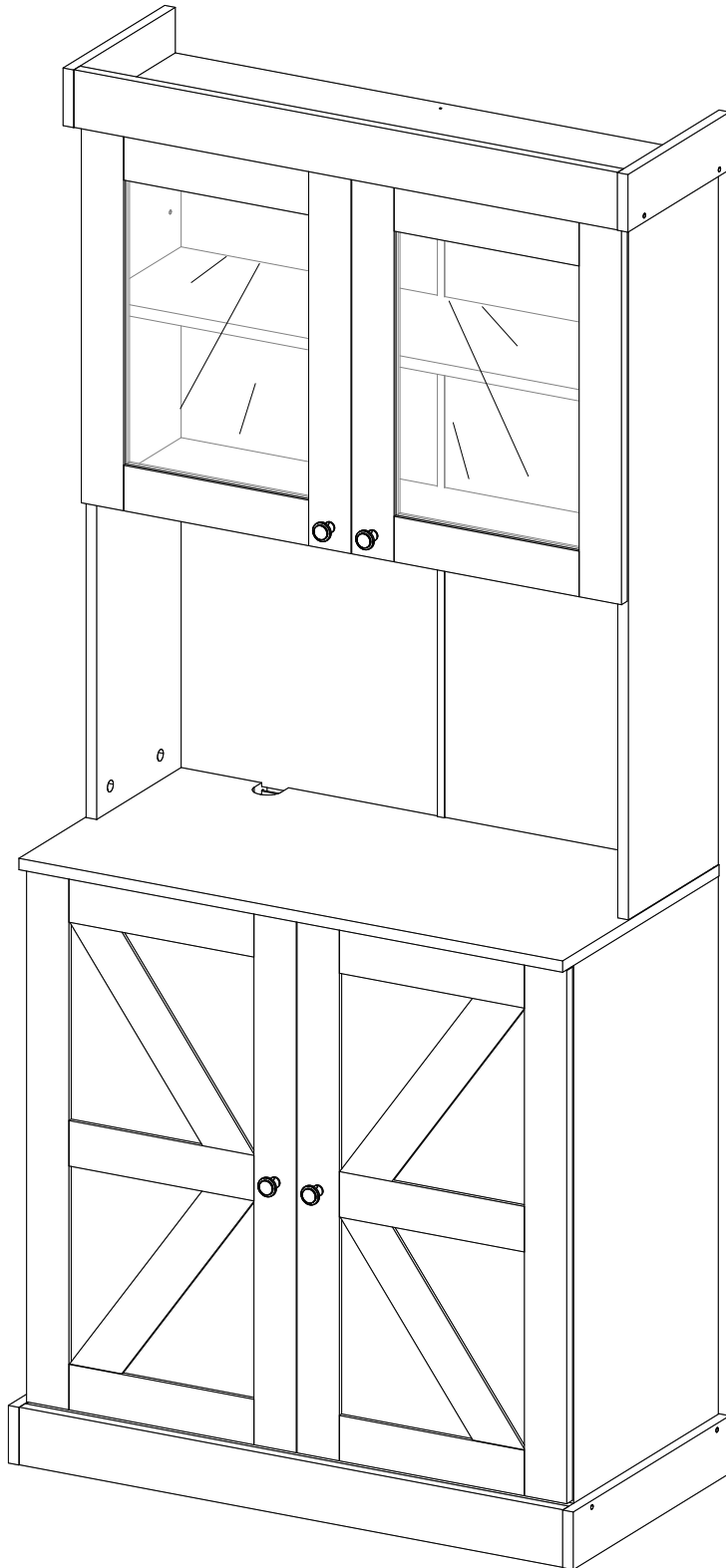


1

2



Add L fittings to all exposed holes on the front of the product



L



x20