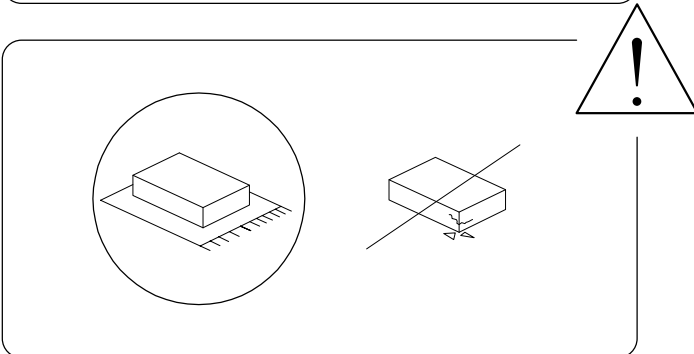
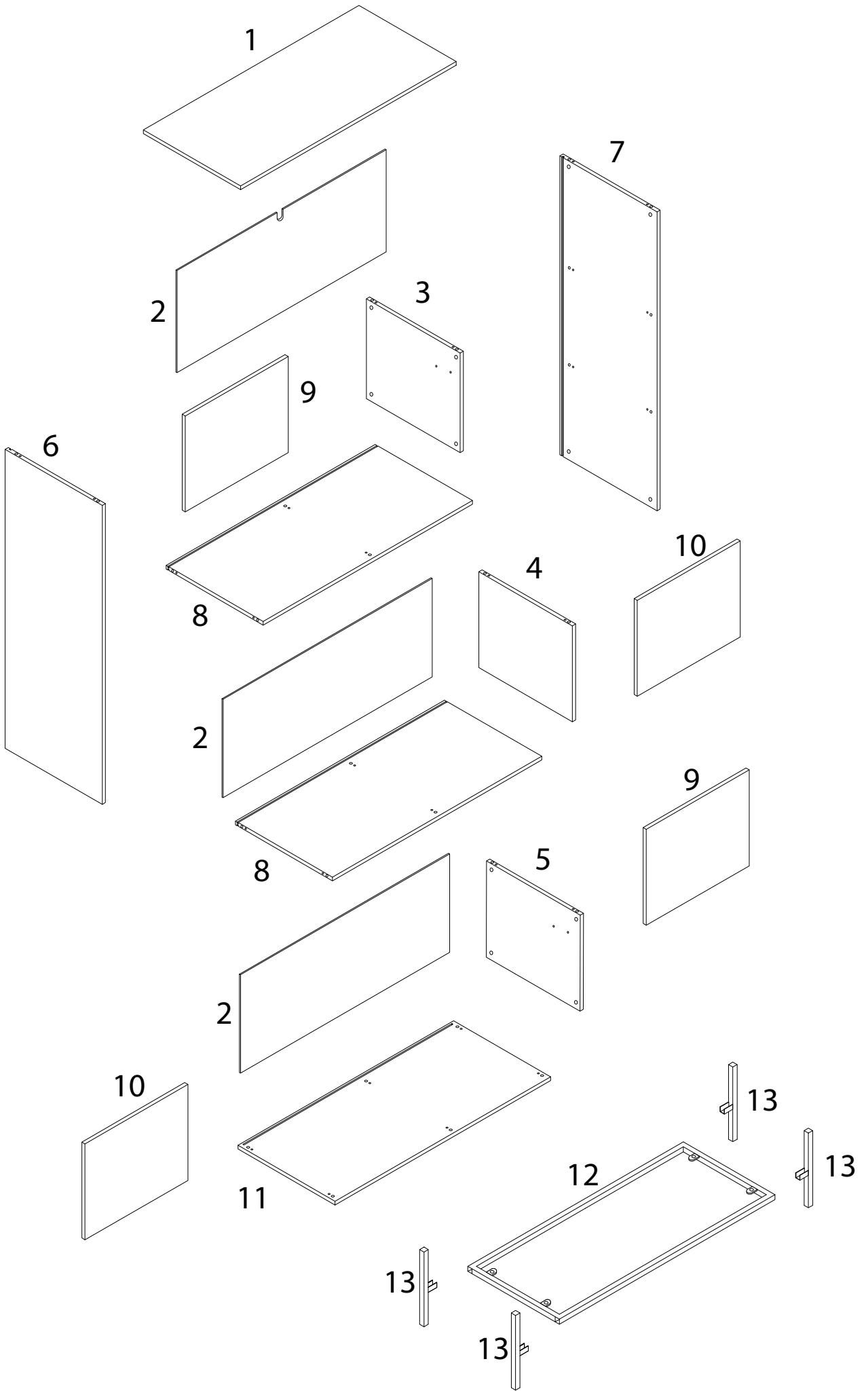


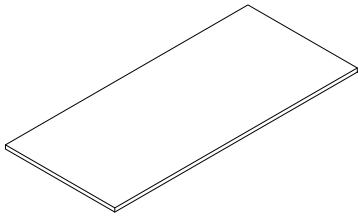
60'



2

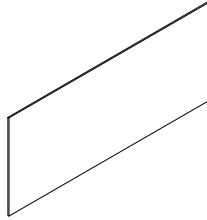


1



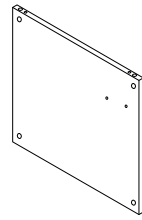
x 1

2



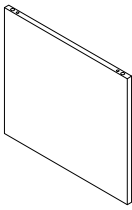
x 3

3



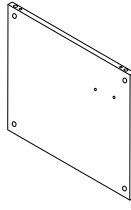
x 1

4



x 1

5



x 1

6



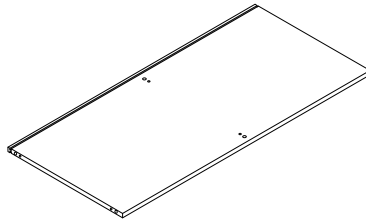
x 1

7



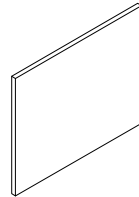
x 1

8



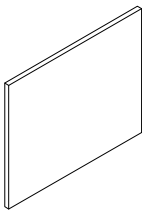
x 2

9



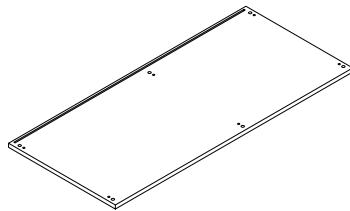
x 2

10



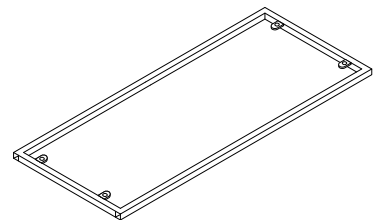
x 2

11



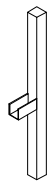
x 1

12



x 1

13



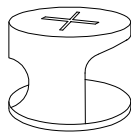
x 4

A



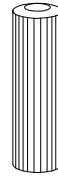
x 28

B



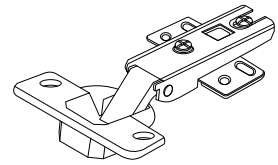
x 28

C



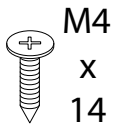
x 28

D



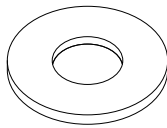
x 8

E



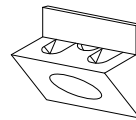
x 68

F



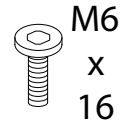
x 13

G



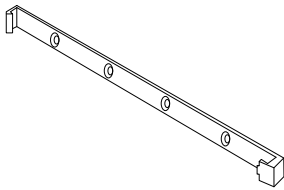
x 12

H



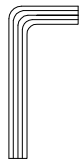
x 13

I



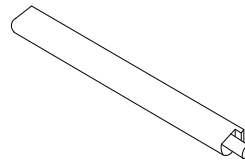
x 4

J



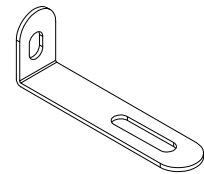
x 1

K



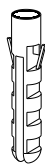
x 4

L



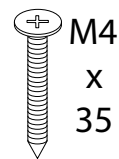
x 1

M



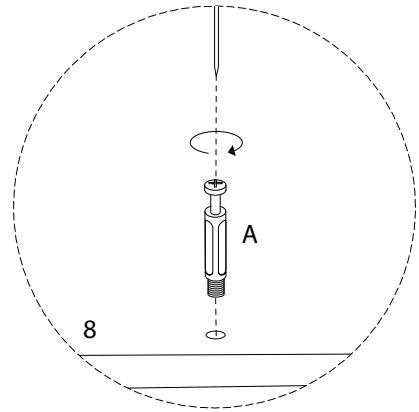
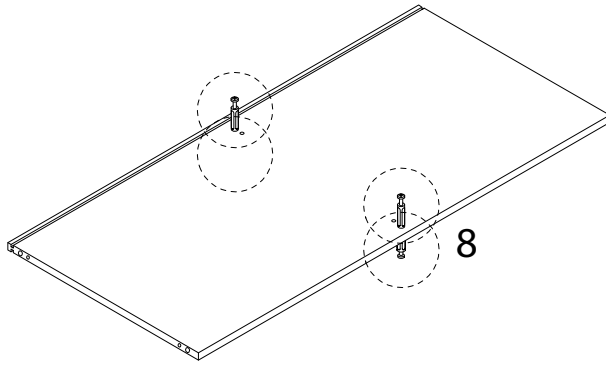
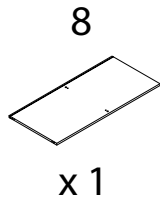
x 1

N

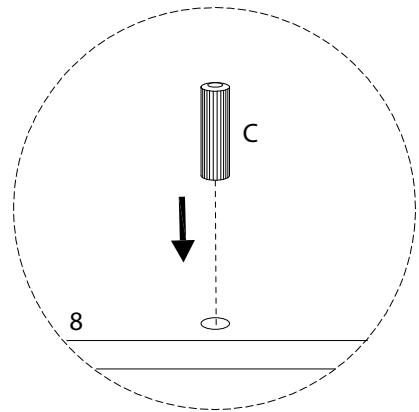
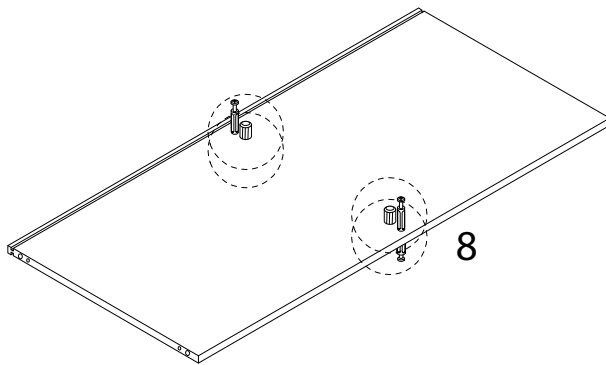
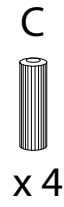


x 1

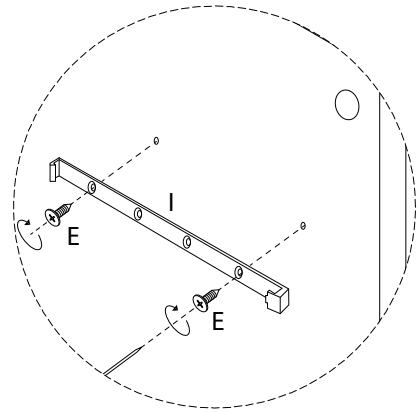
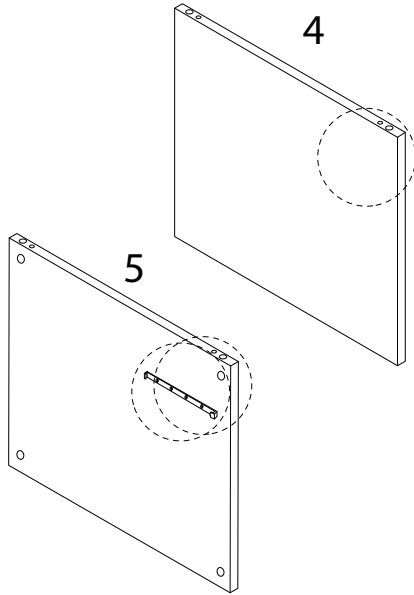
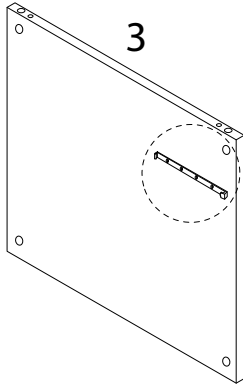
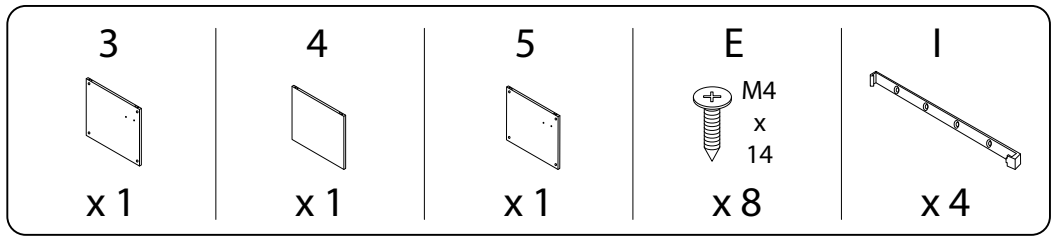
1 x 2



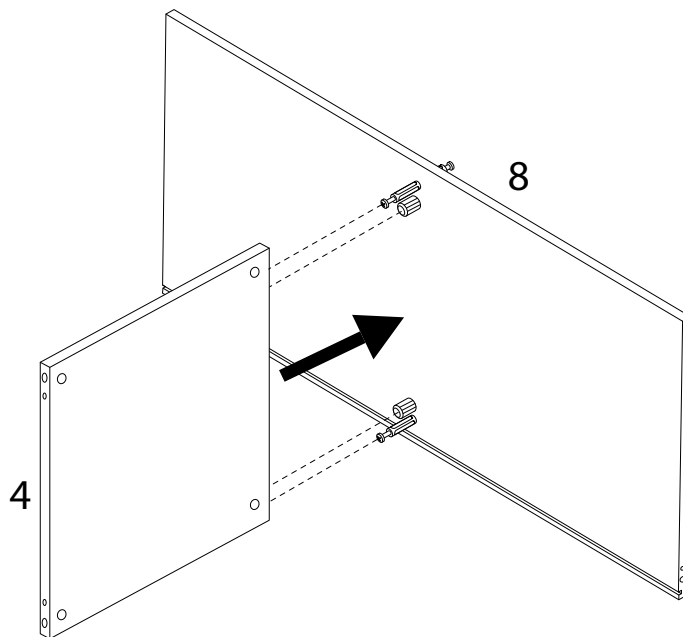
2 x 2



3



4

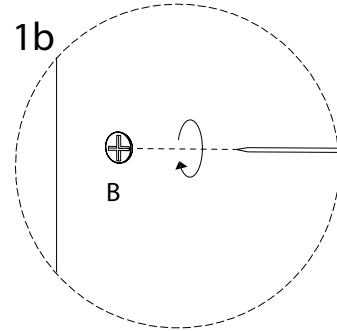
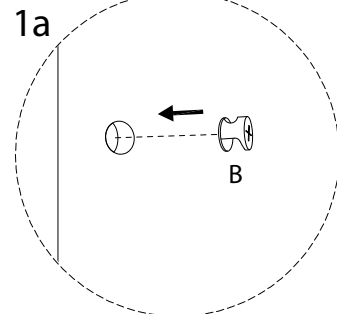
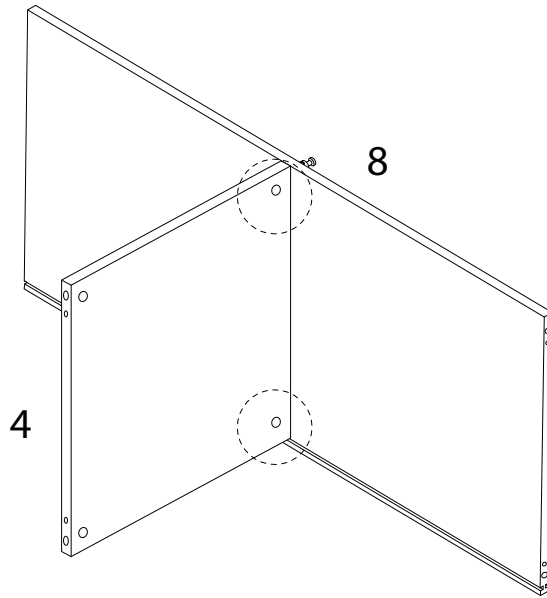


5

B

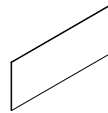


x 2

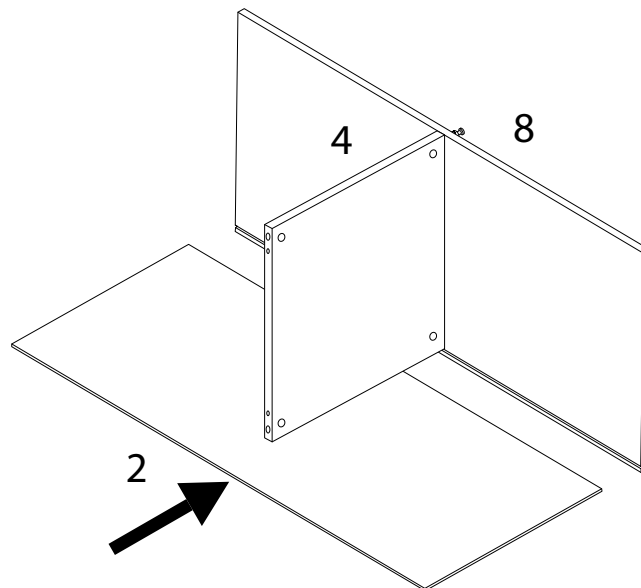


6

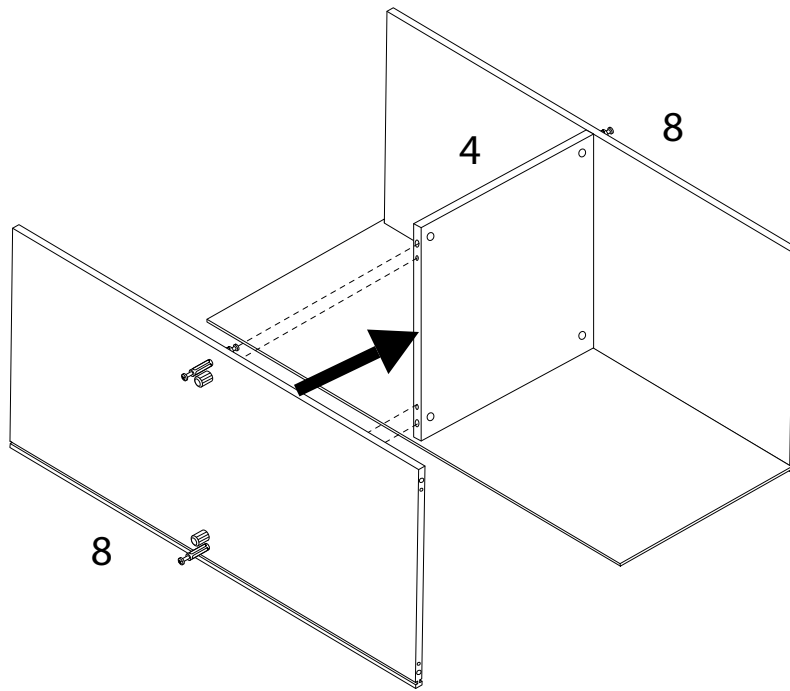
2



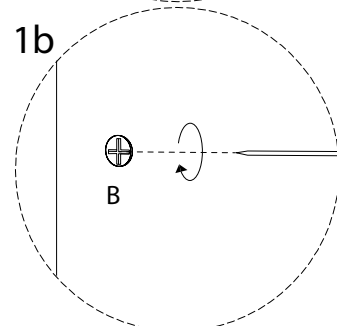
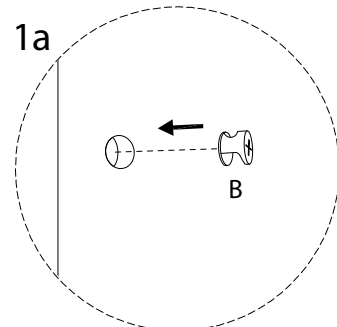
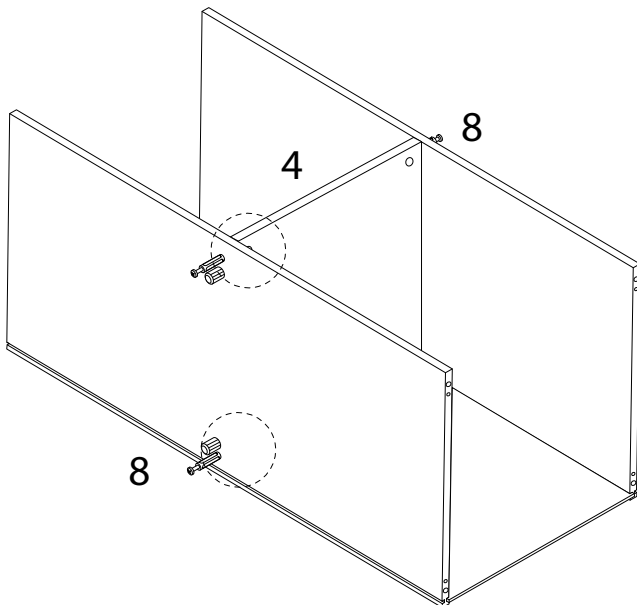
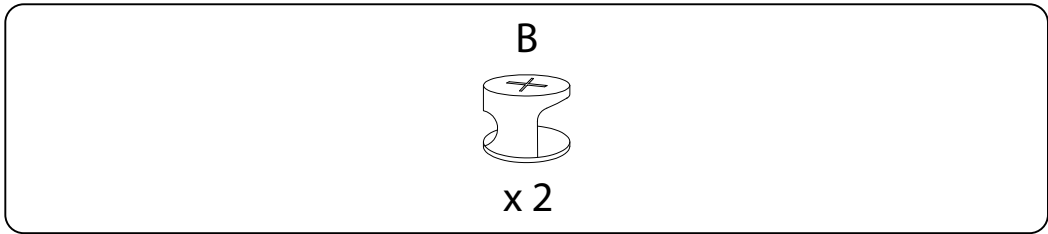
x 1



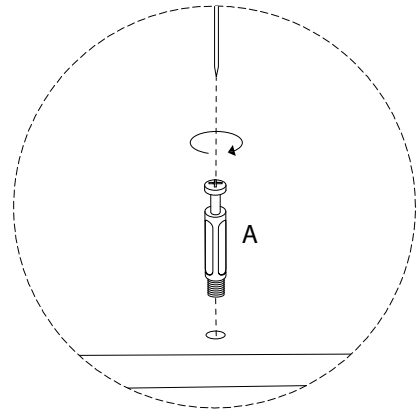
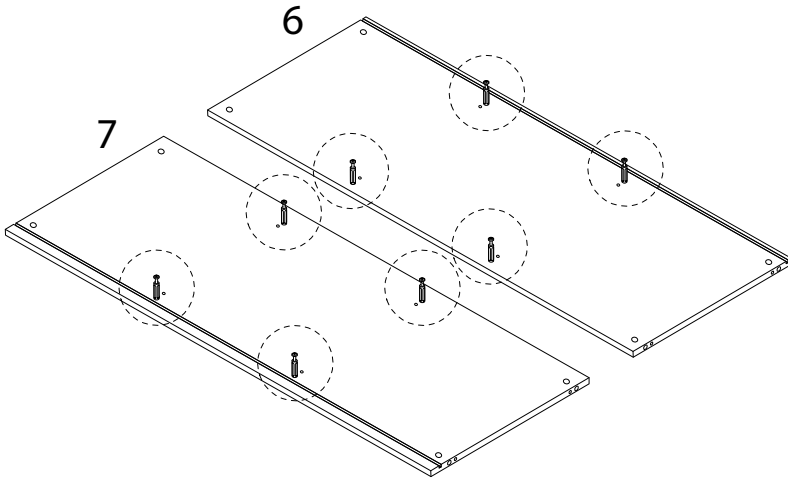
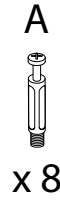
7



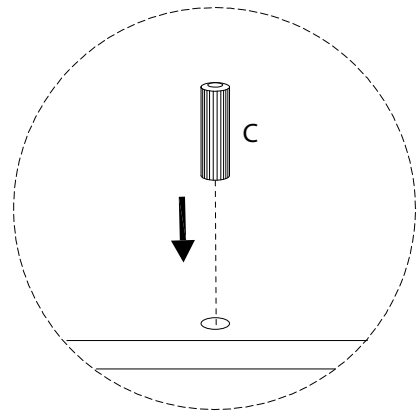
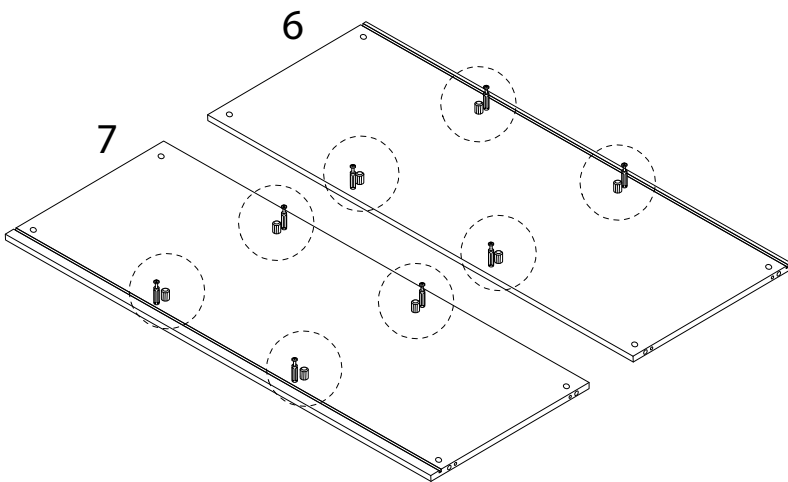
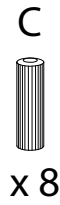
8



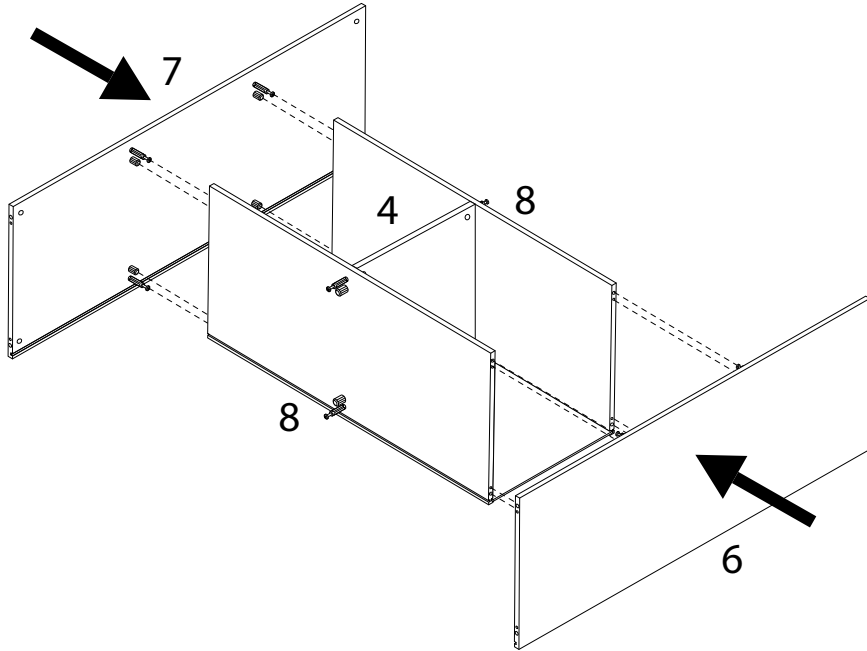
9



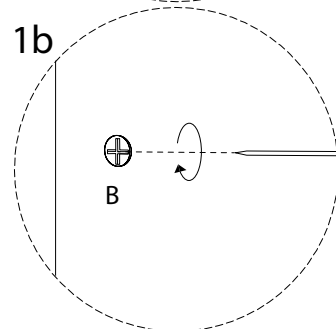
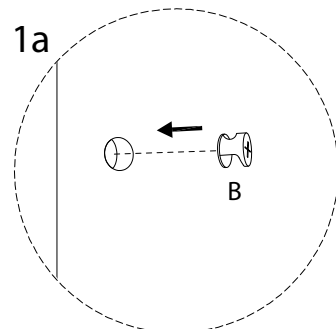
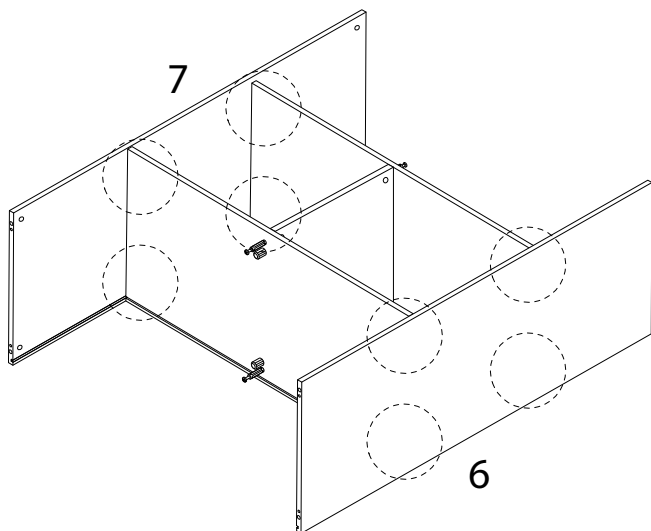
10



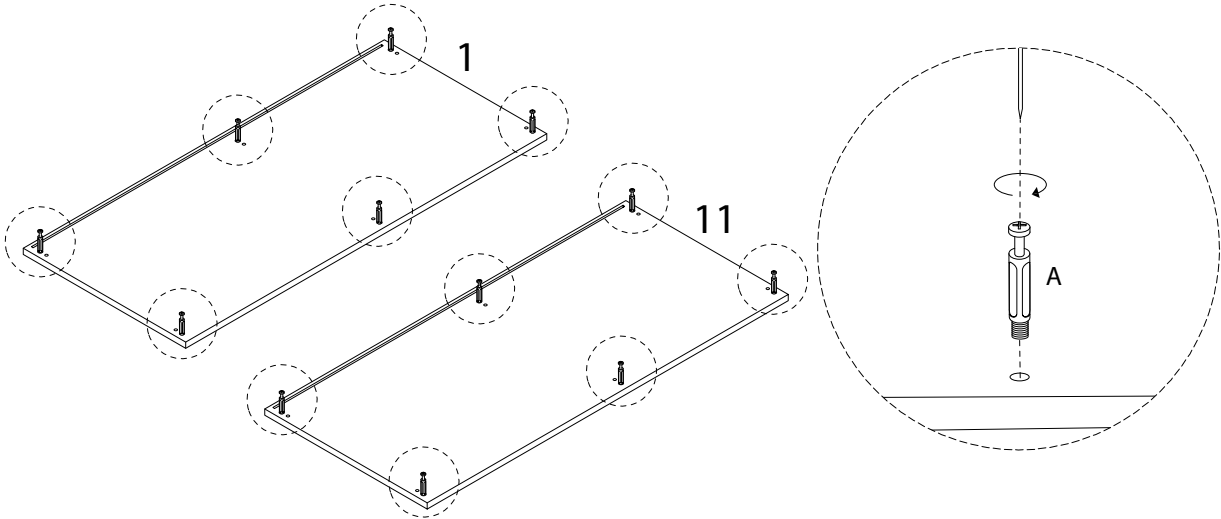
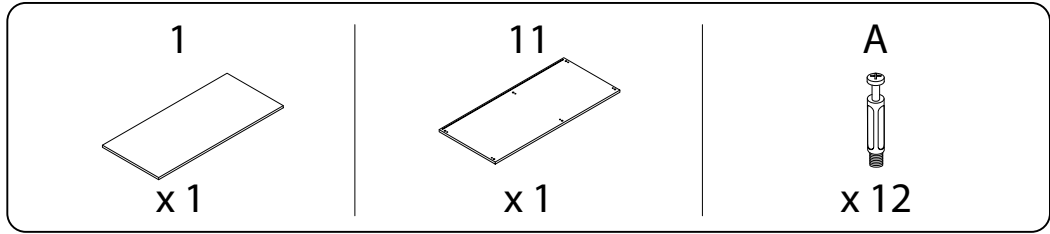
11



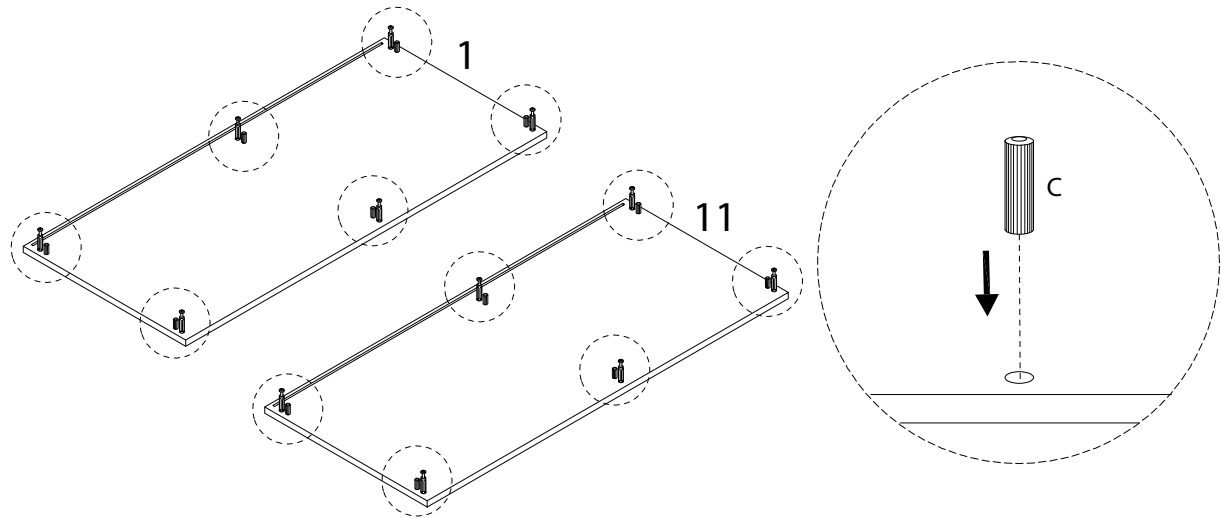
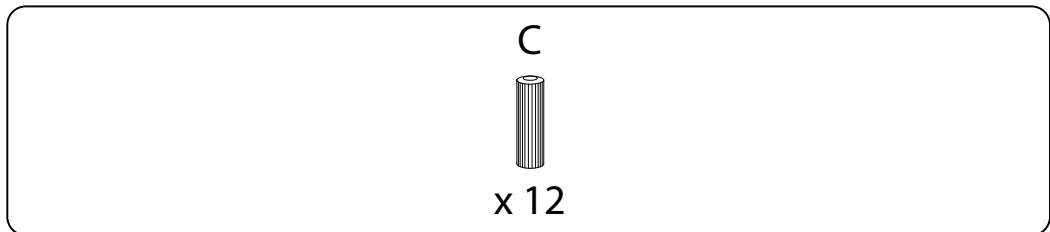
12



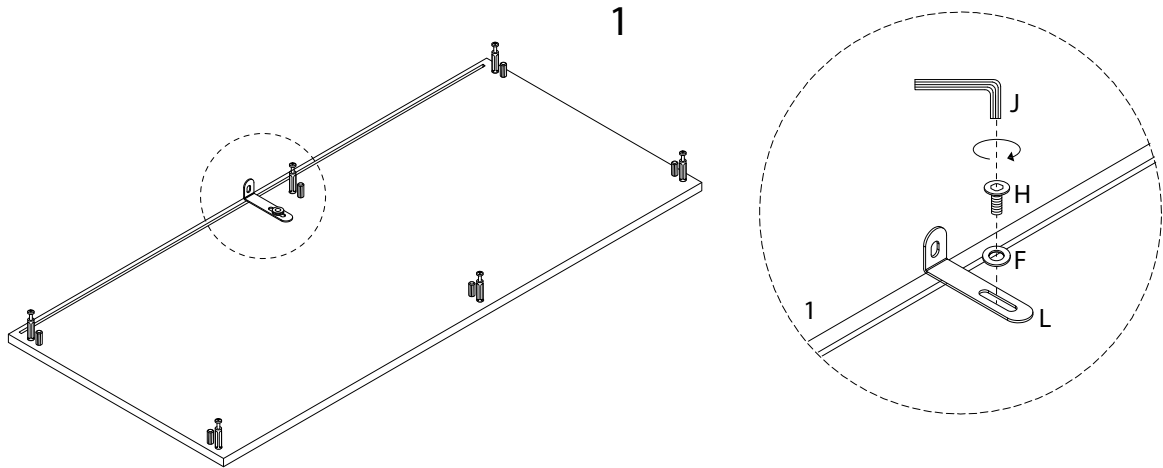
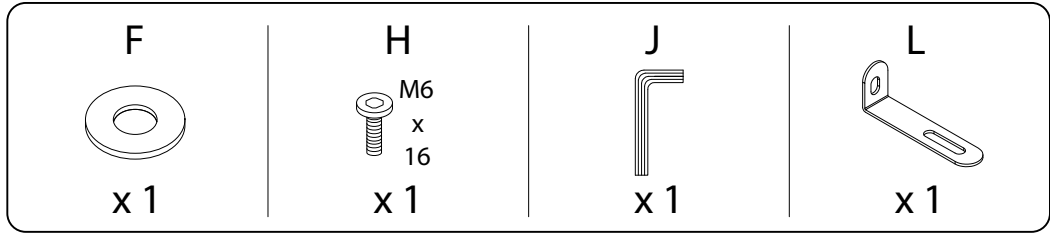
13



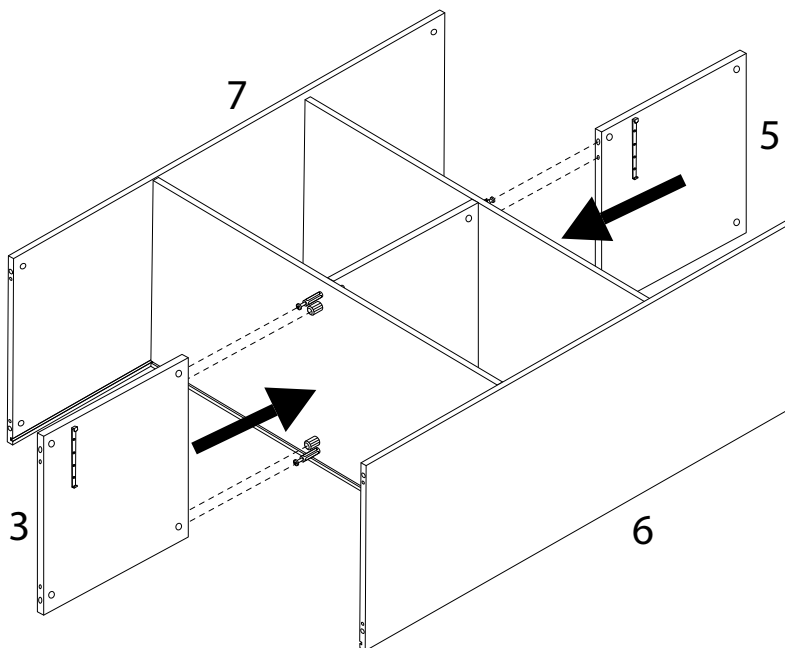
14



15



16

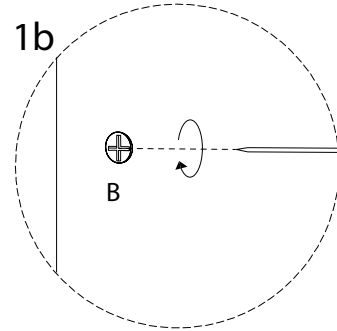
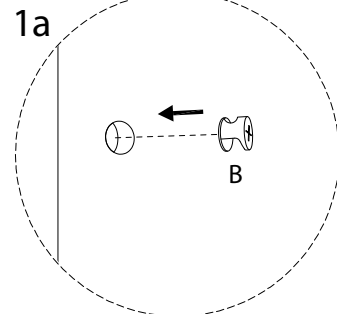
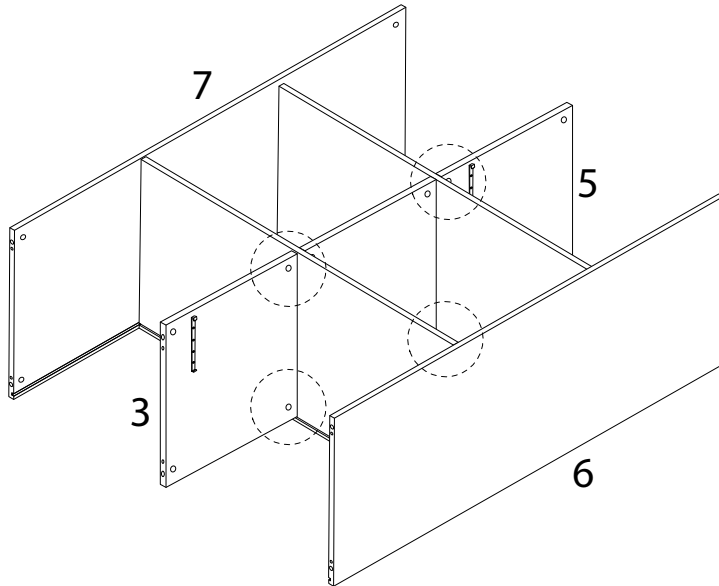


17

B

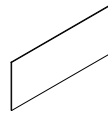


x 4

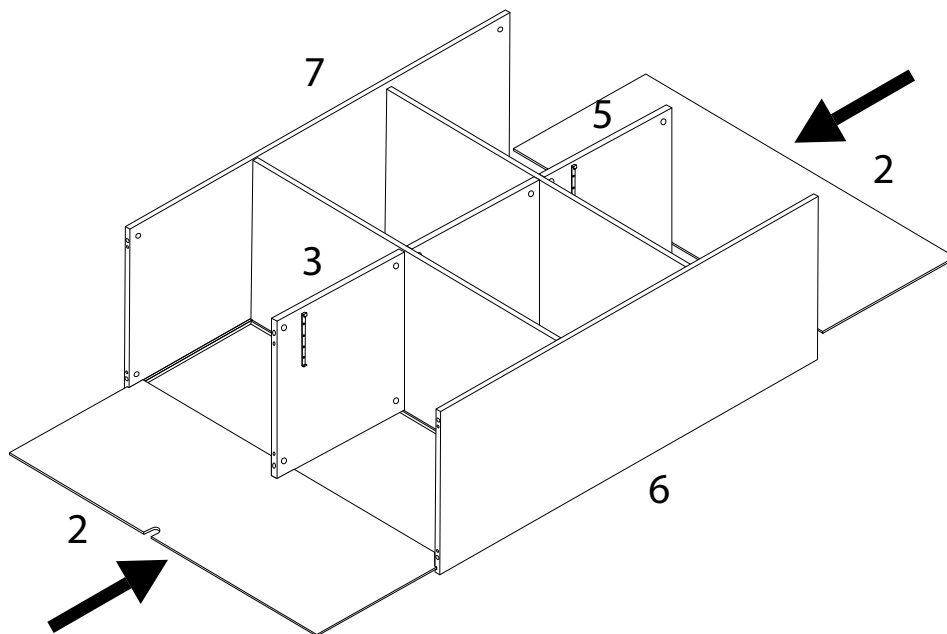


18

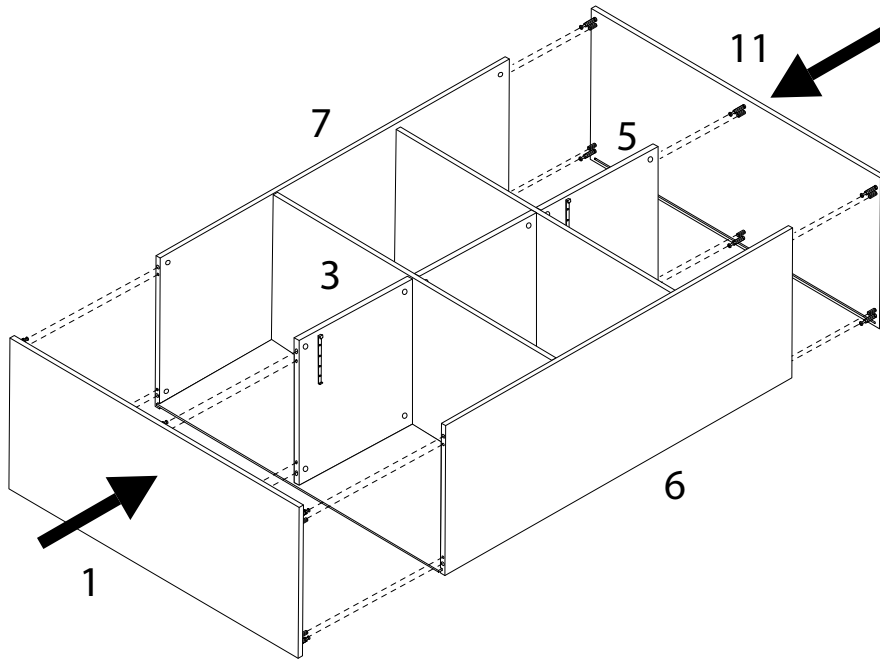
2



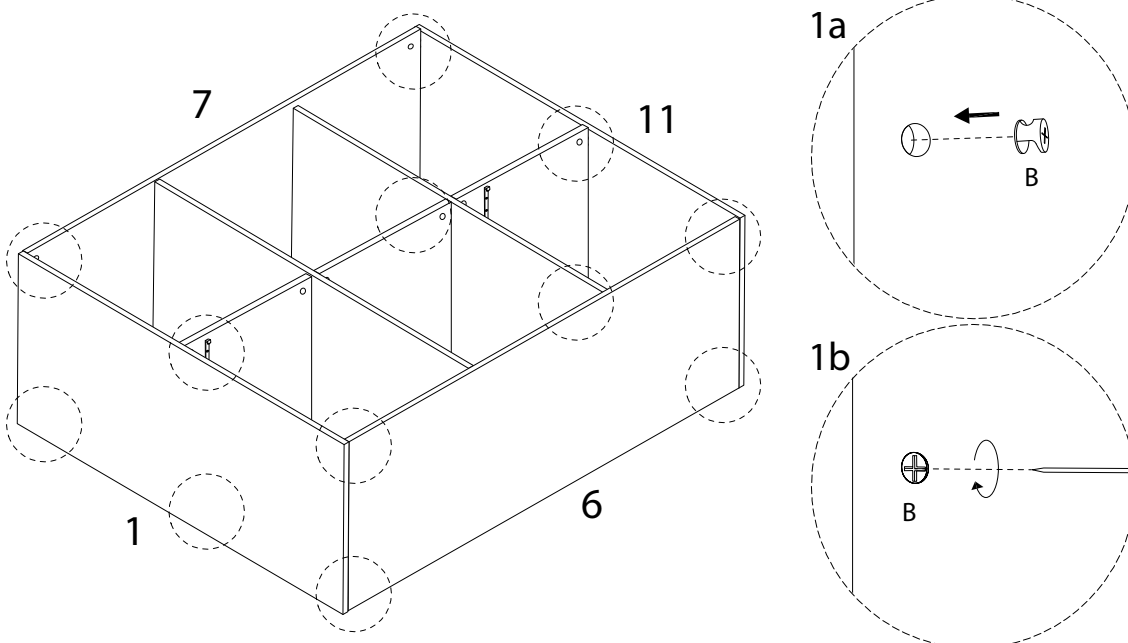
x 2



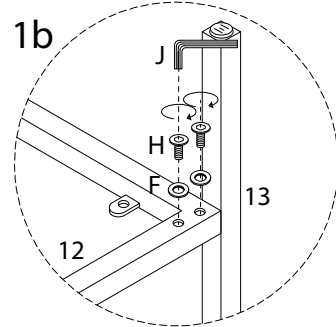
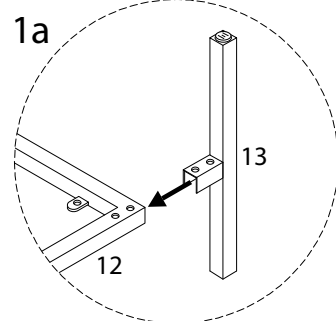
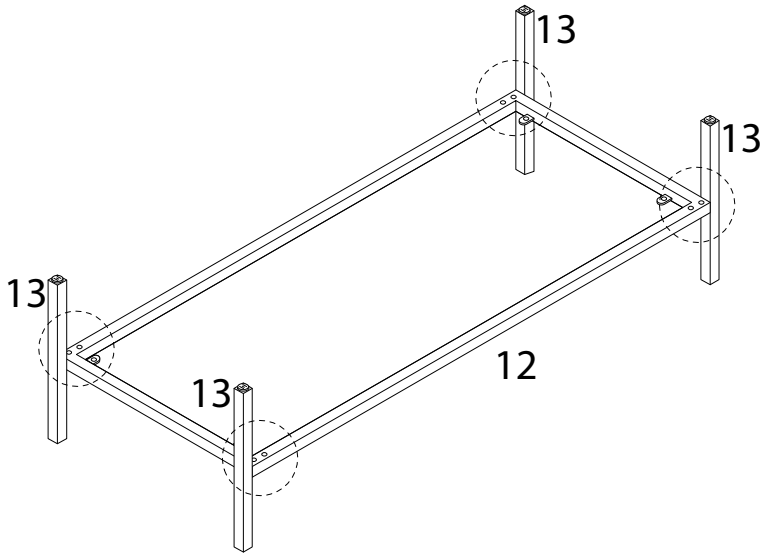
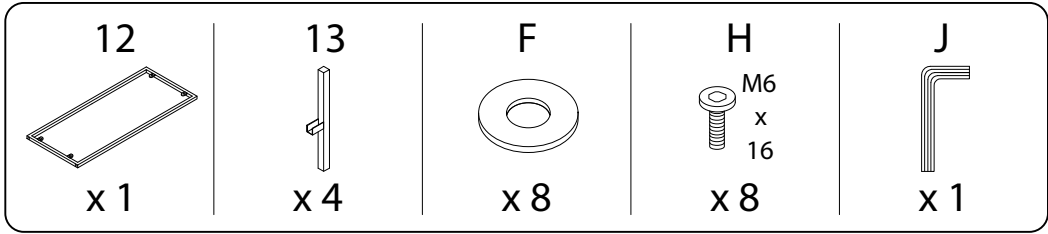
19



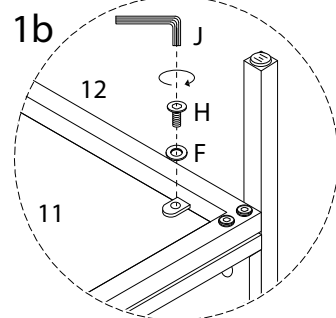
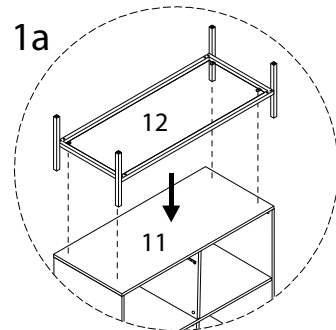
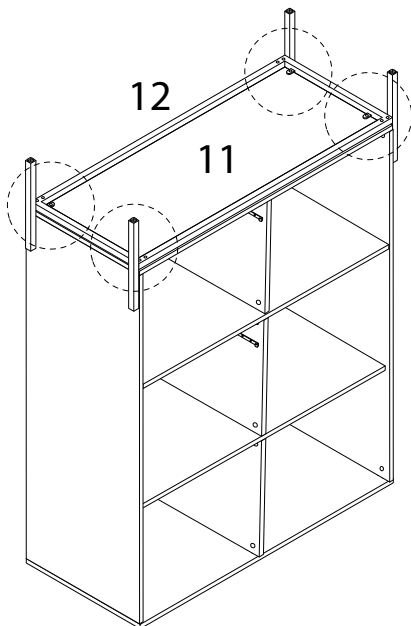
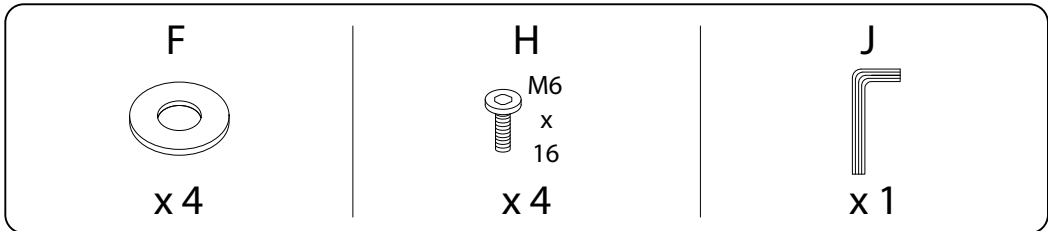
20



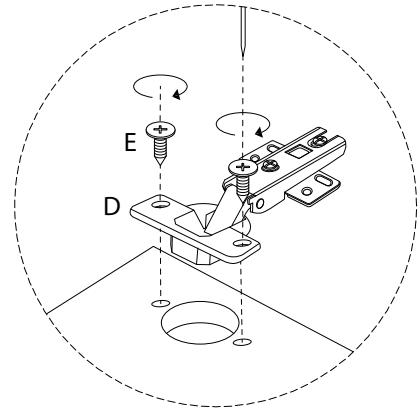
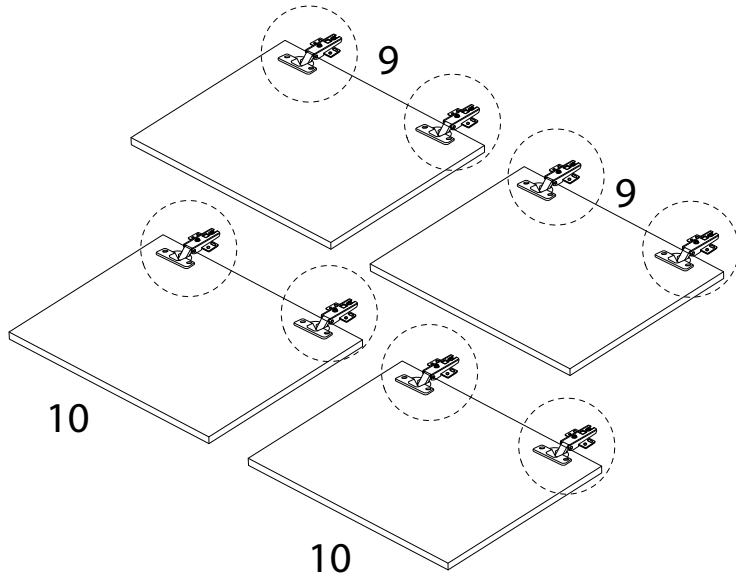
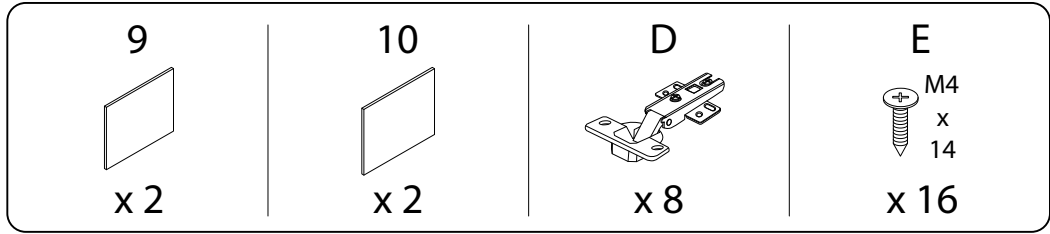
21



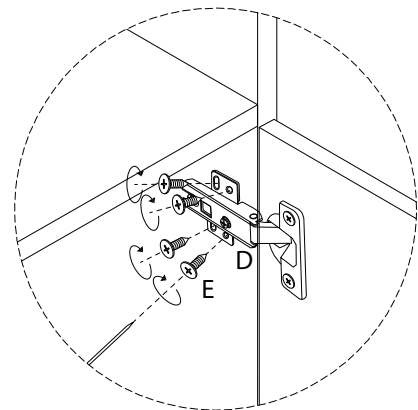
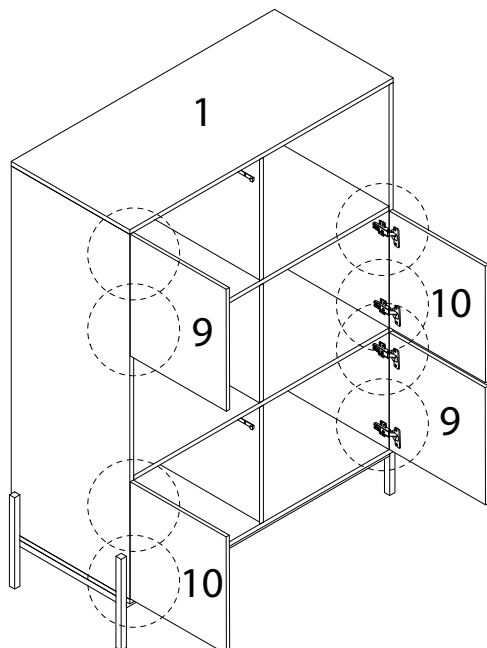
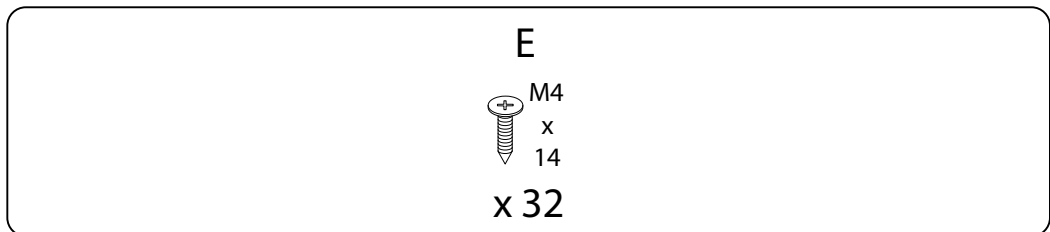
22



23

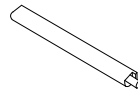


24

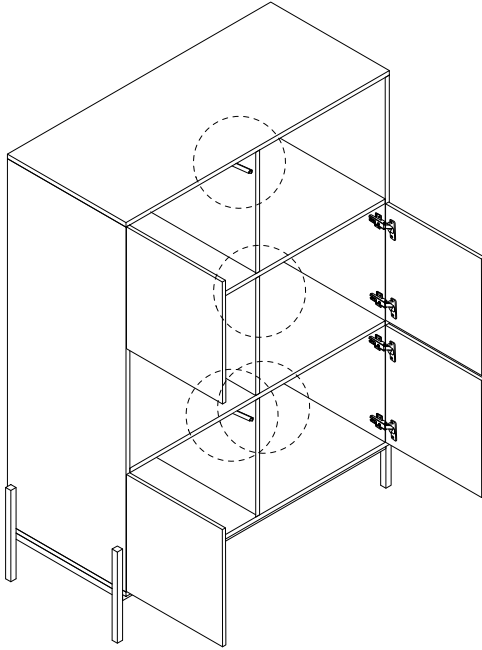


25

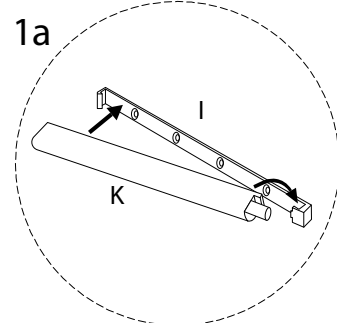
K



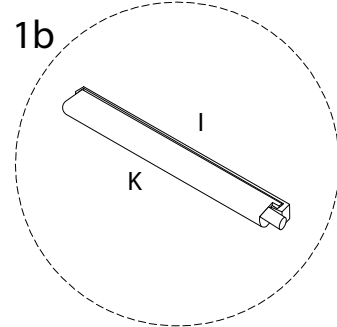
x 4



1a



1b



26

E

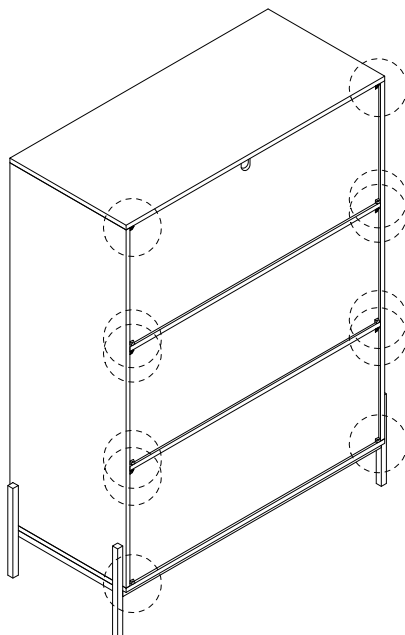


x 12

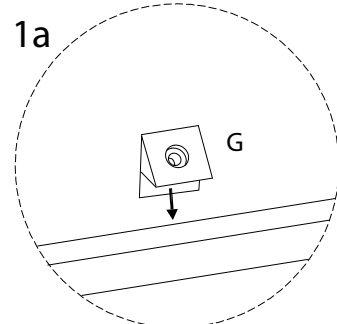
G



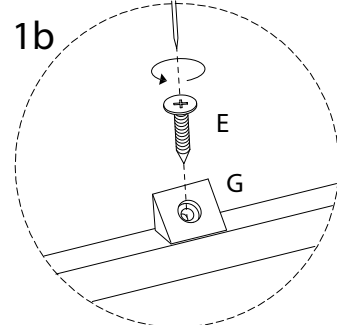
x 12



1a



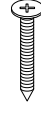
1b



27

M

x 1

N

M4
x
35
x 1

