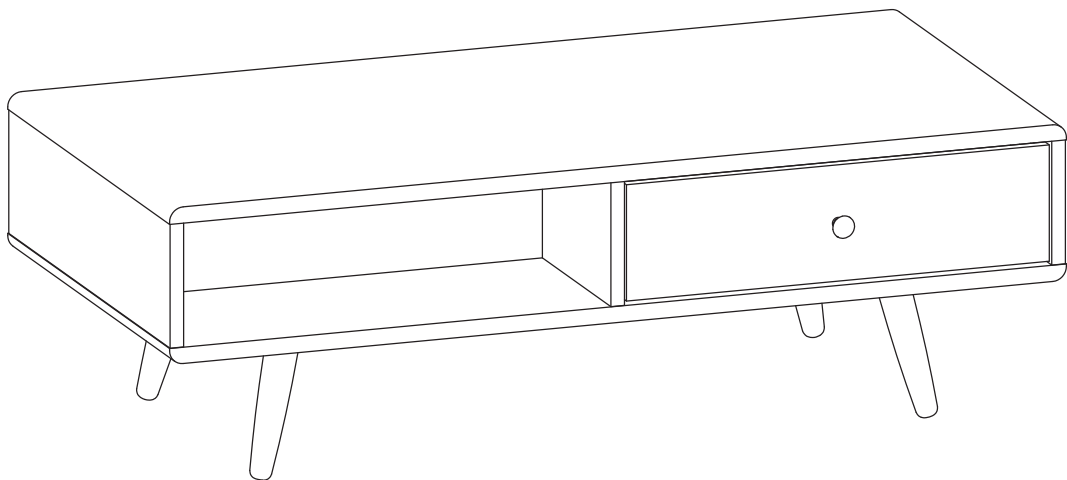


COFFEE TABLE

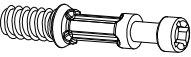


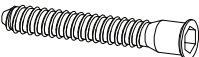


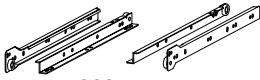
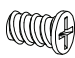

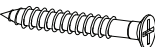







Thank you for purchasing the **COFFEE TABLE !**

Before you start, here is some helpful advice:

1. We suggest you spend a short time reading through this leaflet and then follow the simple step-by-step instructions.
2. Owing to the size and weight of the table, we recommend that it is assembled by two adults, on a carpeted or padded area, in the room that it is intended for. Approximate assembly time: 60 minutes.
3. Please do not use any tools other than those provided or recommended in these instructions.
4. Please do not throw away any of the packaging or instructions until you have checked all the components and hardware and the furniture is fully assembled.
5. Assemble all components loosely until advised to tighten. Depending on use, it may be necessary to tighten the components from time to time, so please save the tools that have been provided.
6. Please keep all pieces out of reach of children.

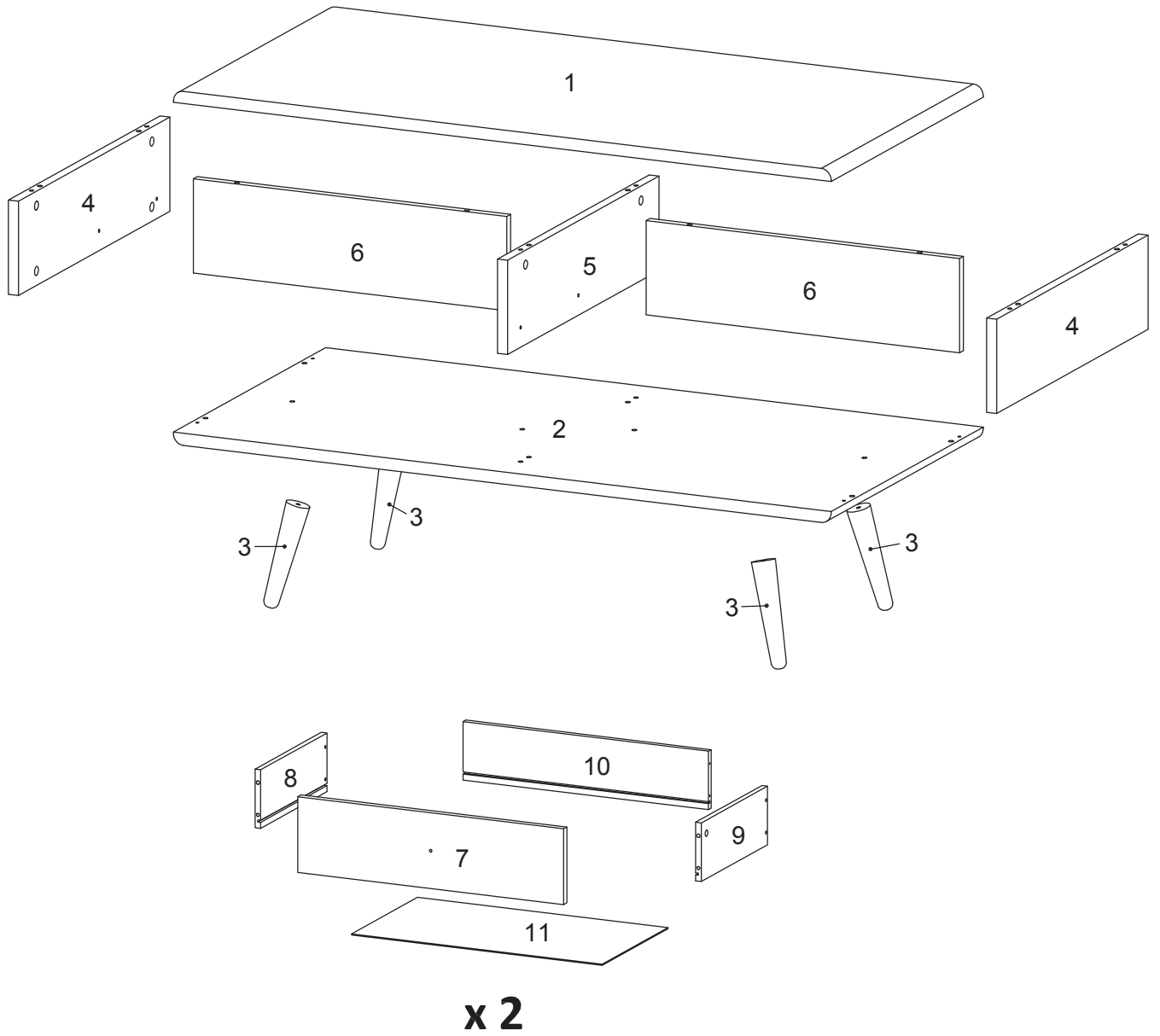


Hardware :

A  x14 $\varnothing 6 \times 35 \text{ mm}$	B  x 4 $\varnothing 12 \text{ mm}$	C  x 10 $\varnothing 15 \text{ mm}$	D  x2 M 7 x 50 mm	E  x 4 $\varnothing 6 \times 30 \text{ mm}$
F  x 20 $\varnothing 8 \times 30 \text{ mm}$	G  x 2 300 mm	H  x 8 M 6.5 x 10.5 mm	I  x 12 M 3.5 x 13 mm	J  x 8 M 8 x 39 mm
K  x 2 HANDLE	L  x 2 M 4 x 20 mm	M  x 4 70 x 62 x 17 mm	N  x 16 M 4 x 16 mm	O  x 5 $\varnothing 15 \text{ mm (Long)}$
P  x 1 L 4	Q  x 1 Screwdriver (Not Include)			

COFFEE TABLE

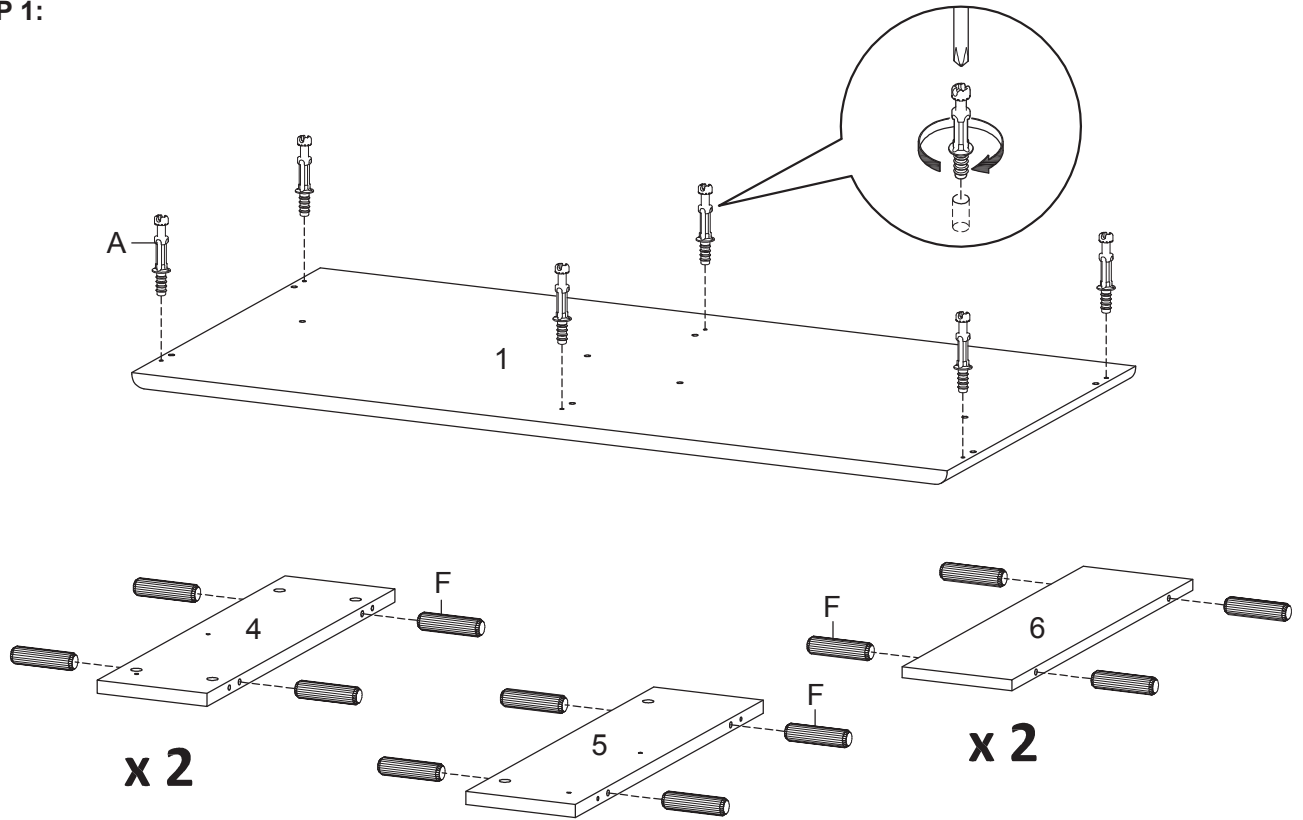
Components:






1	Top Board	x1	2	Bottom Board	x1	3	Leg	x4	4	Side Board	x2
5	Centre Board 1	x1	6	Center Board 2	x2	7	Front Drawer	x2	8	Side Drawer Left	x2
9	Side Drawer Right	x2	10	Back Drawer	x2	11	Bottom Drawer	x2			

COFFEE TABLE

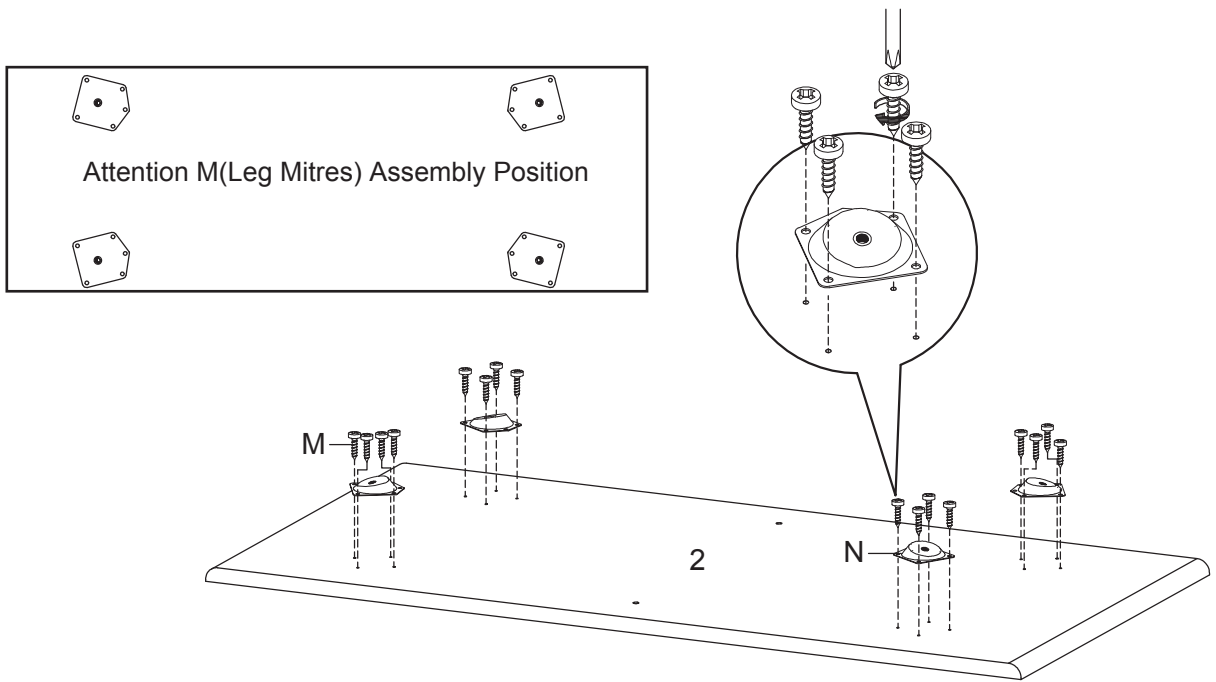
STEP 1:



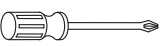


		
Ax6	Fx20	Qx1

Hardware required. Screwdriver not included

STEP 2:

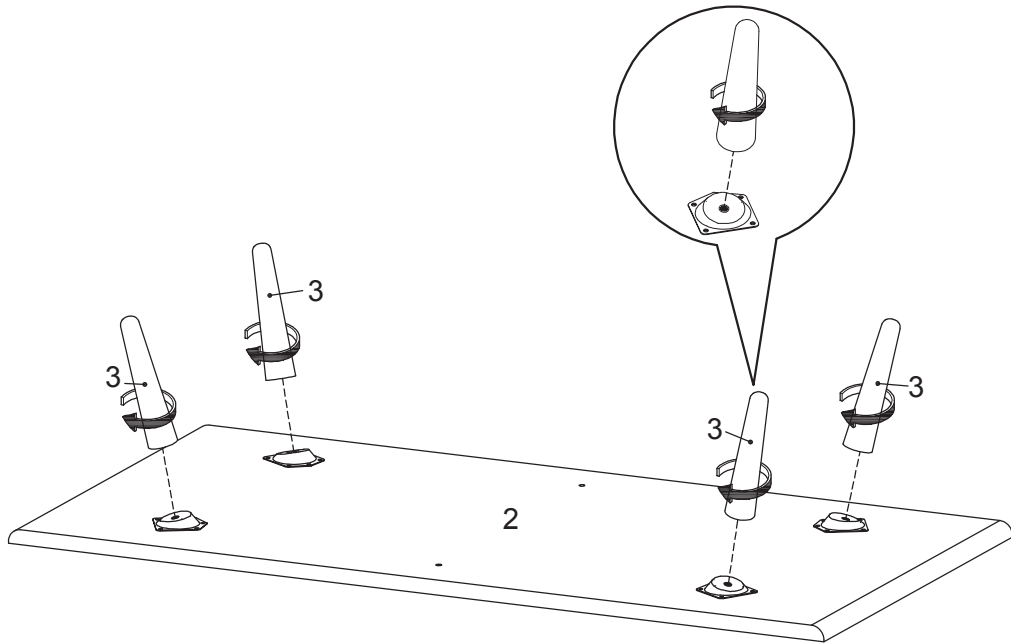


		
Mx4	Nx16	Qx1

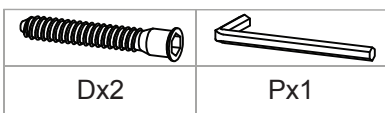
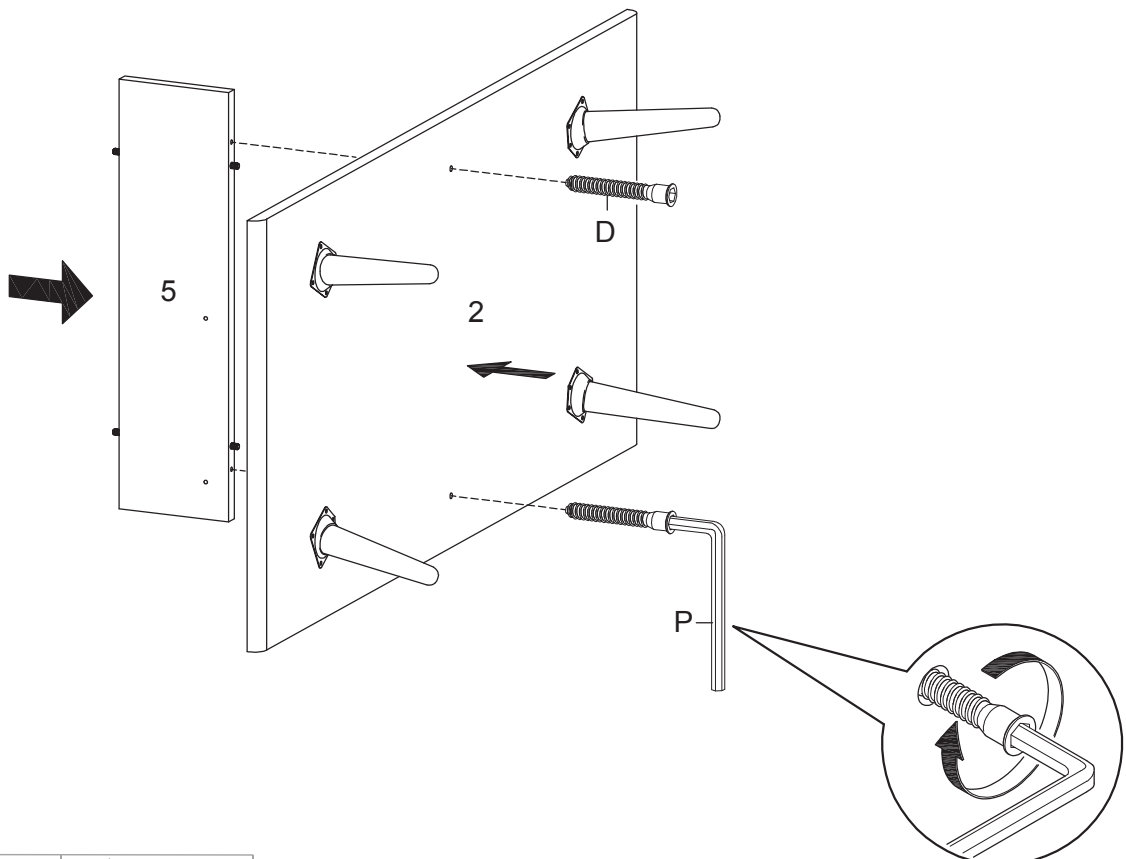
Hardware required. Screwdriver not included

COFFEE TABLE

STEP 3:



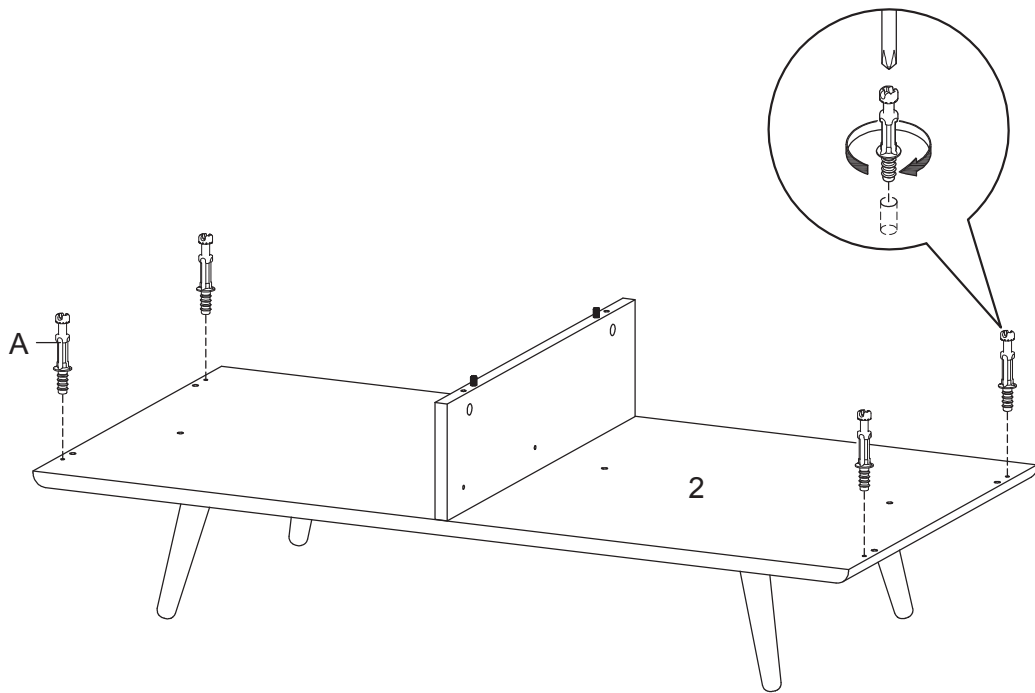
STEP 4:





Hardware required

COFFEE TABLE

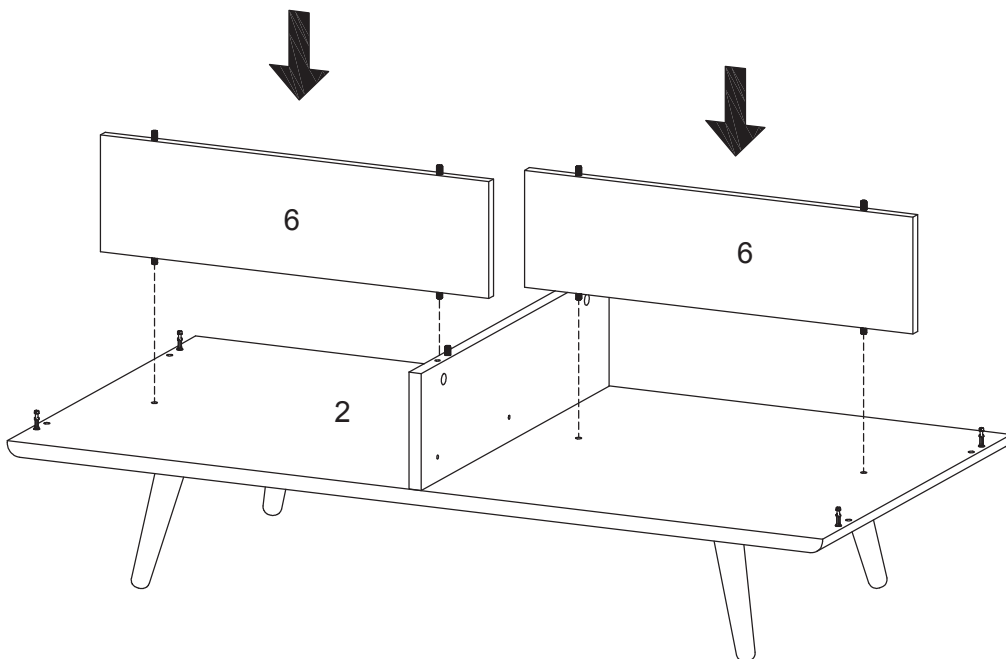
STEP 5:



	
Ax4	Qx1

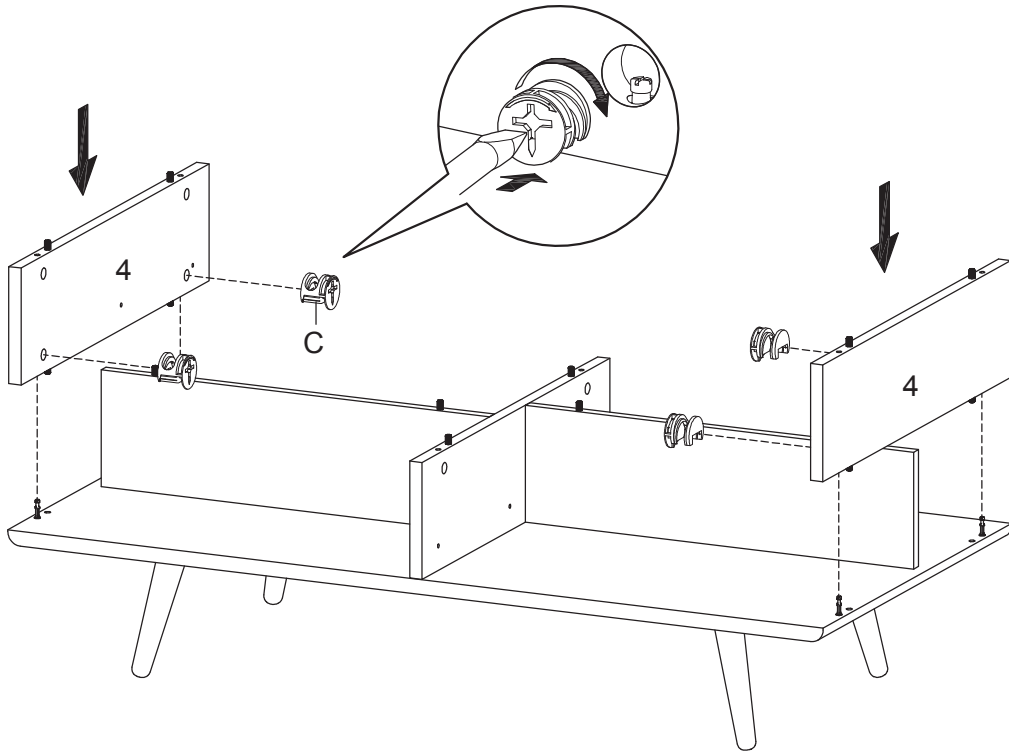
Hardware required. Screwdriver not included



STEP 6:



COFFEE TABLE

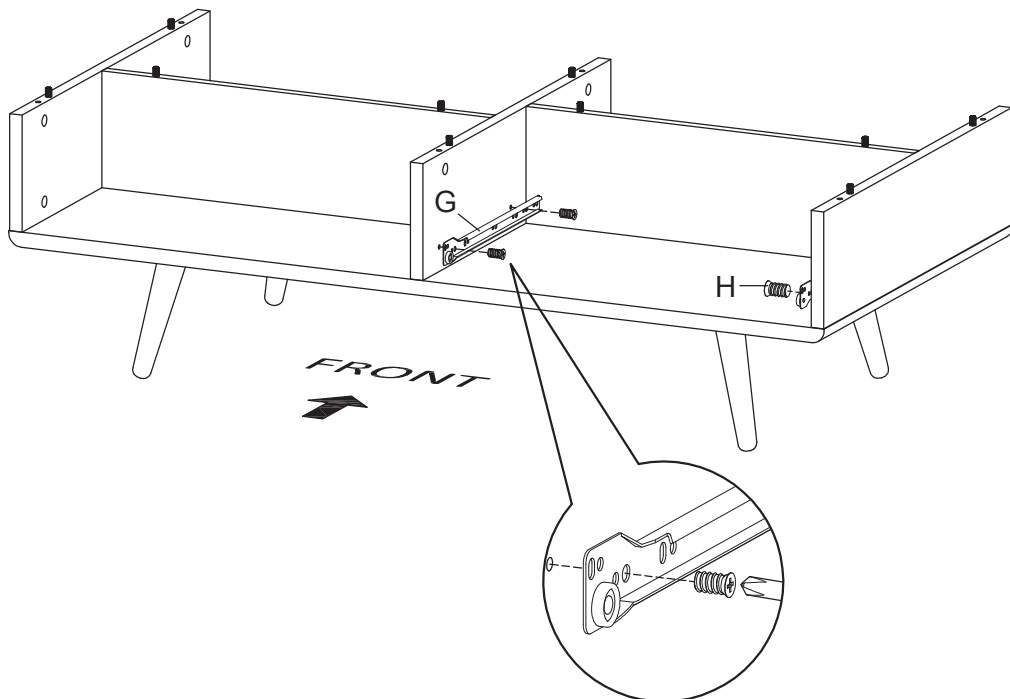
STEP 7:






	
Cx4	Qx1

Hardware required. Screwdriver not included

STEP 8:

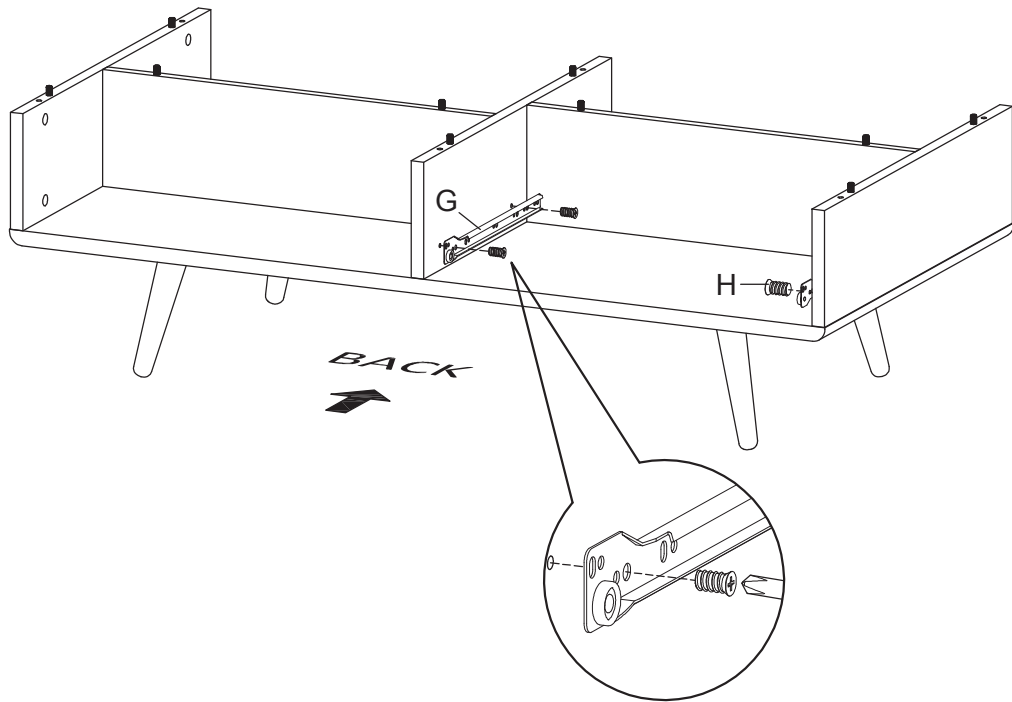


		
Gx1	Hx4	Qx1

Hardware required

COFFEE TABLE

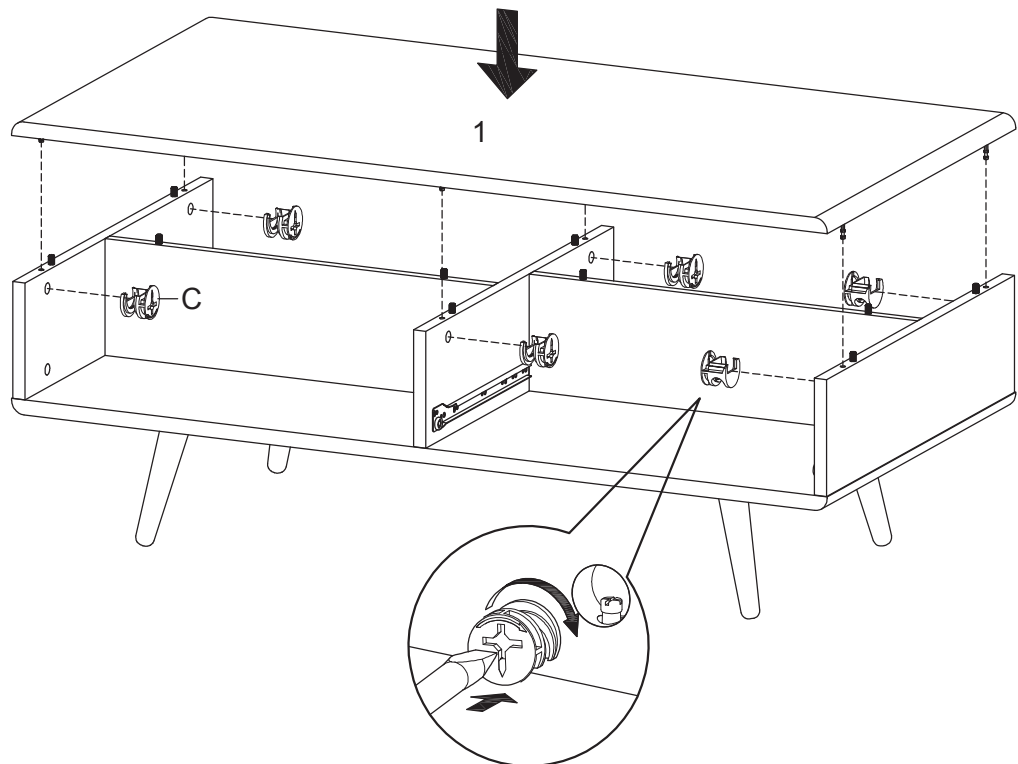
STEP 9:



Gx1	Hx4	Qx1

Hardware required. Screwdriver not included

STEP 10:

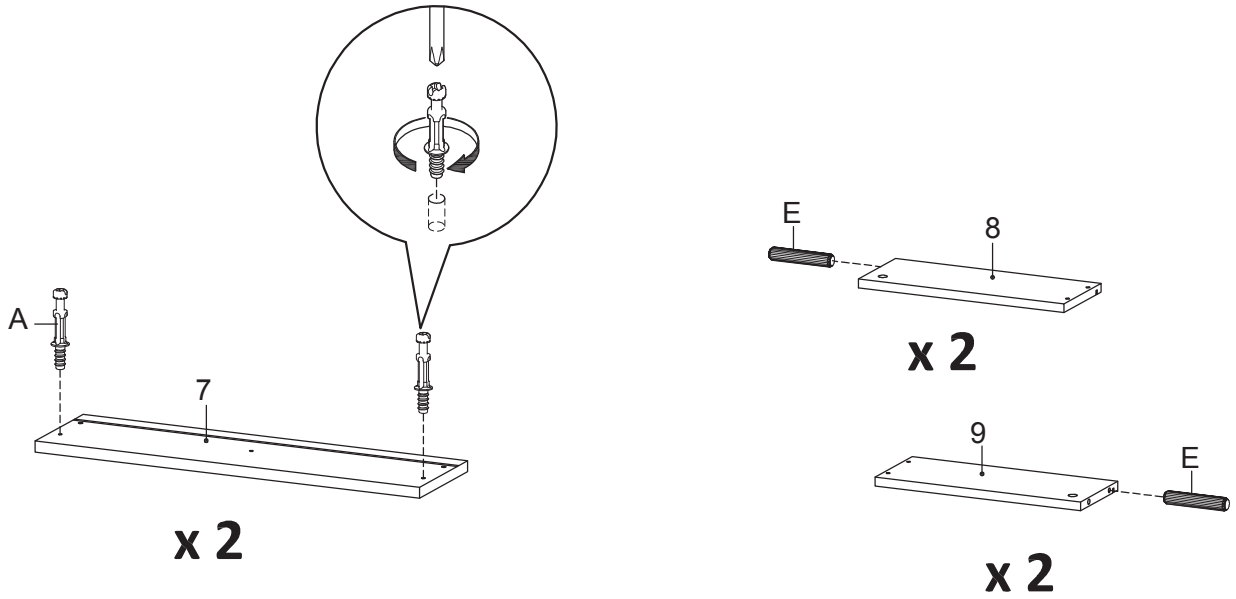




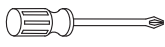
Cx6	Qx1

Hardware required. Screwdriver not included

COFFEE TABLE

STEP 11:

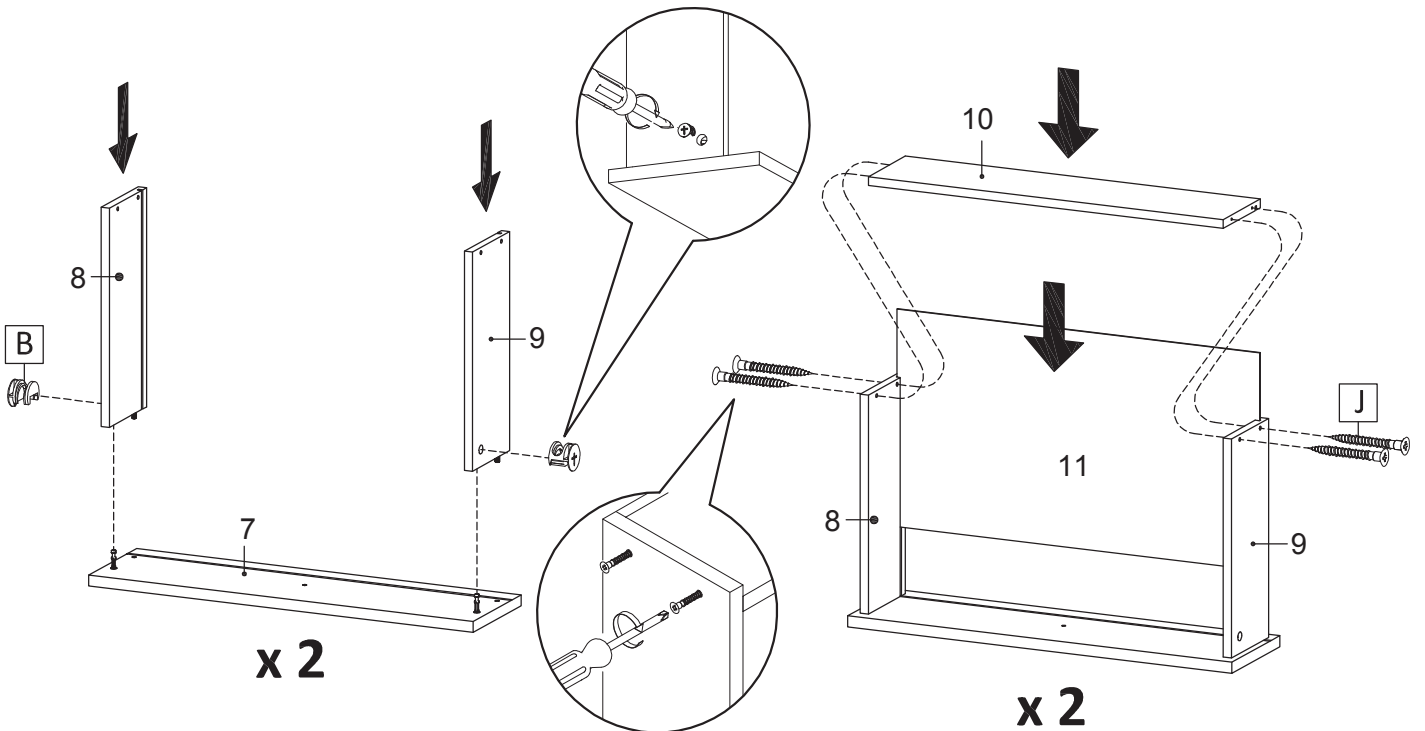



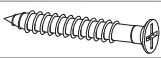
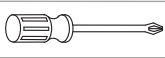
		
Ax4	Ex4	Qx1

Hardware required. Screwdriver not include

STEP 12:

Attention: Insert part 11 (Bottom Drawer) first and then part 10 (Back Drawer)

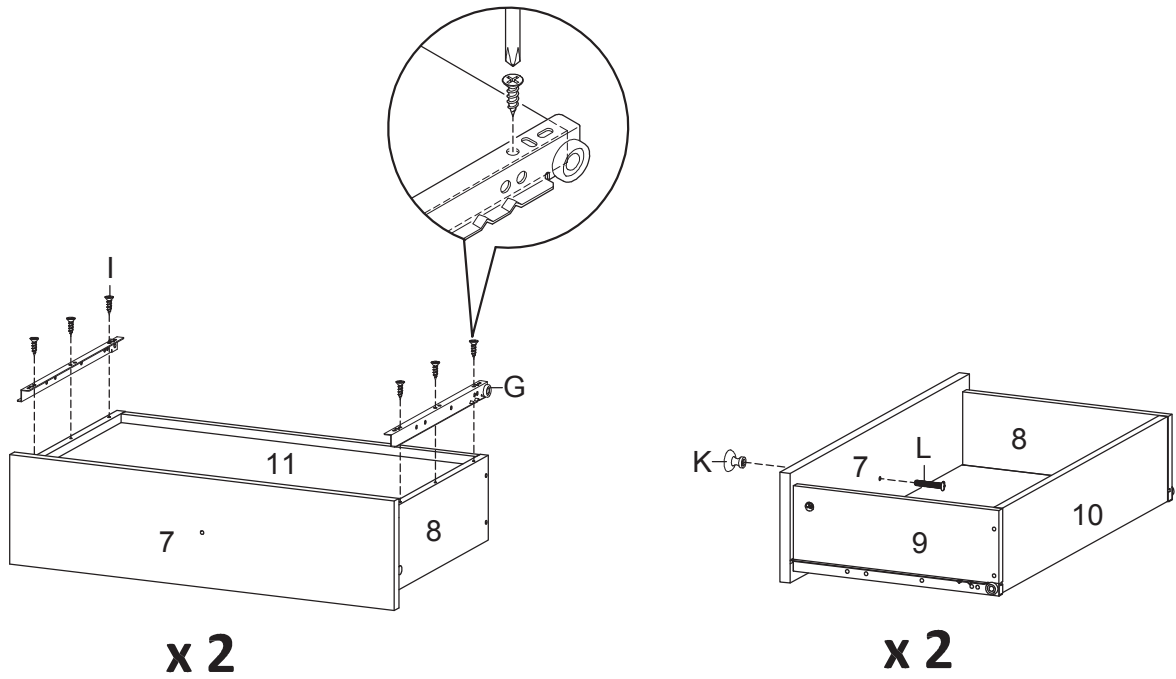


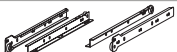




		
Bx4	Jx8	Qx1

Hardware required. Screwdriver not included

COFFEE TABLE

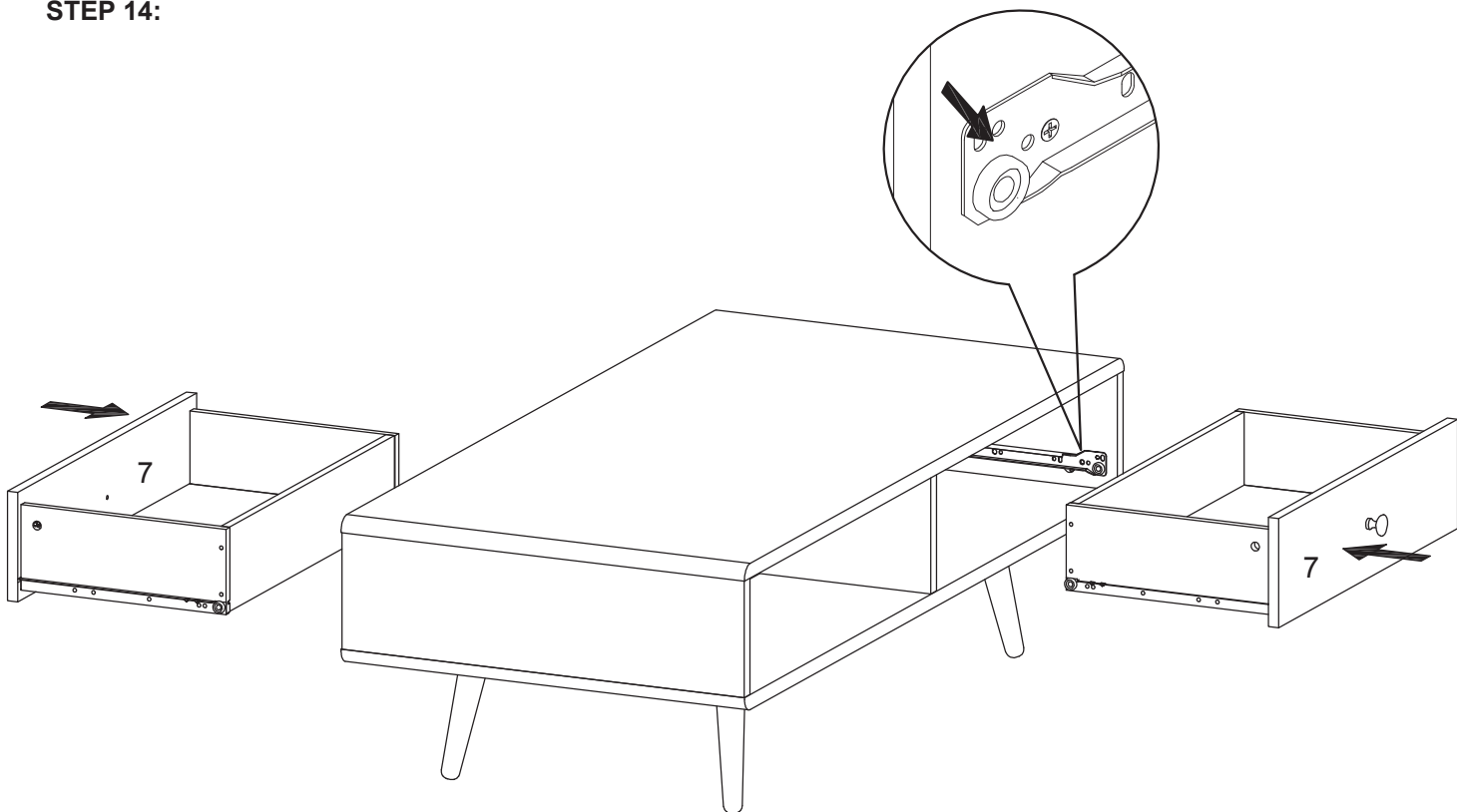
STEP 13:



				
Gx2	Ix12	Kx2	Lx2	Qx1

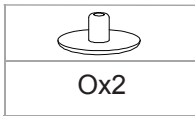
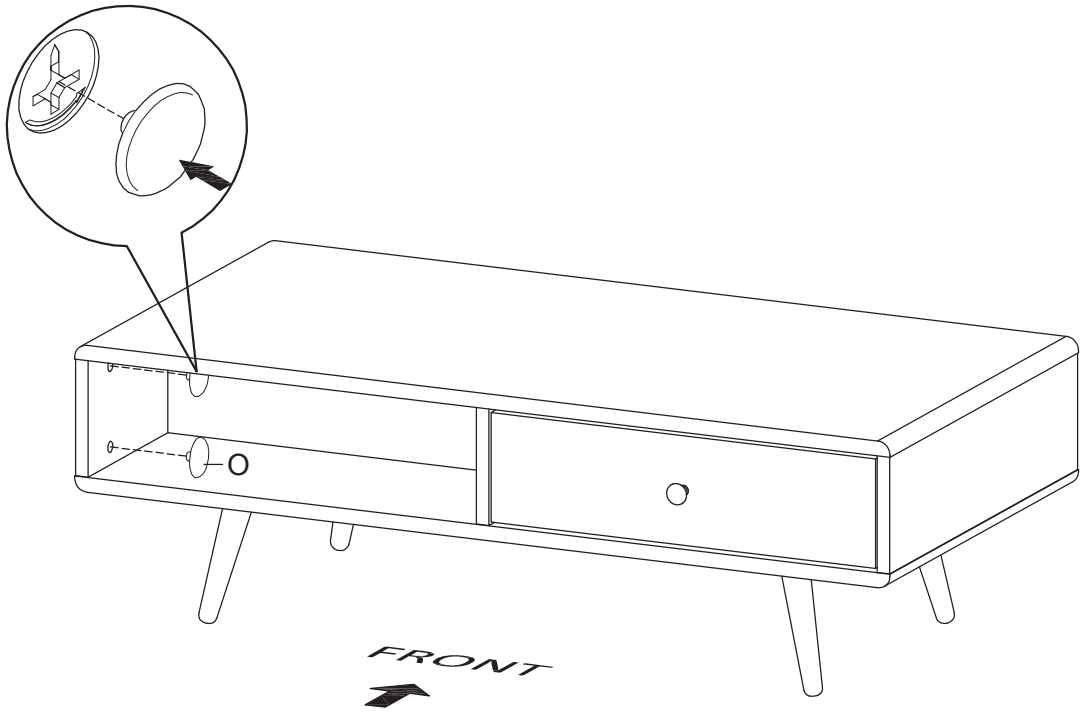
Hardware required.
Screwdriver not included

STEP 14:



COFFEE TABLE

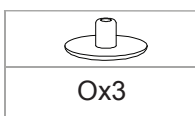
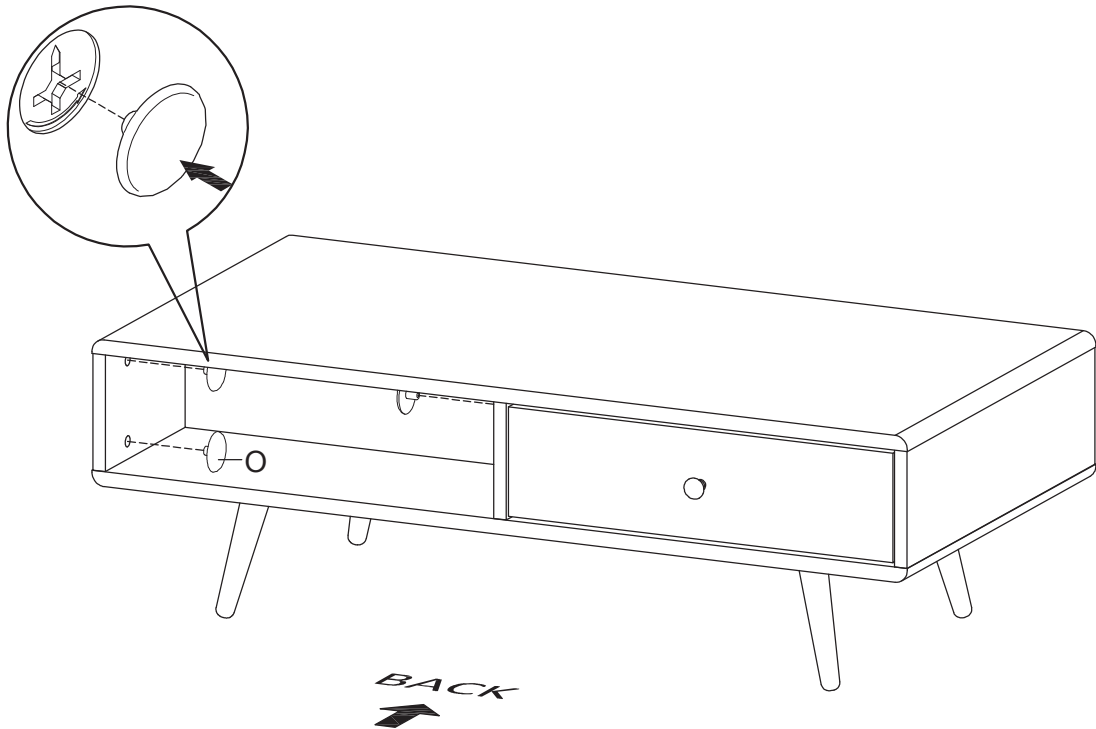
STEP 15:



Ox2

Hardware required

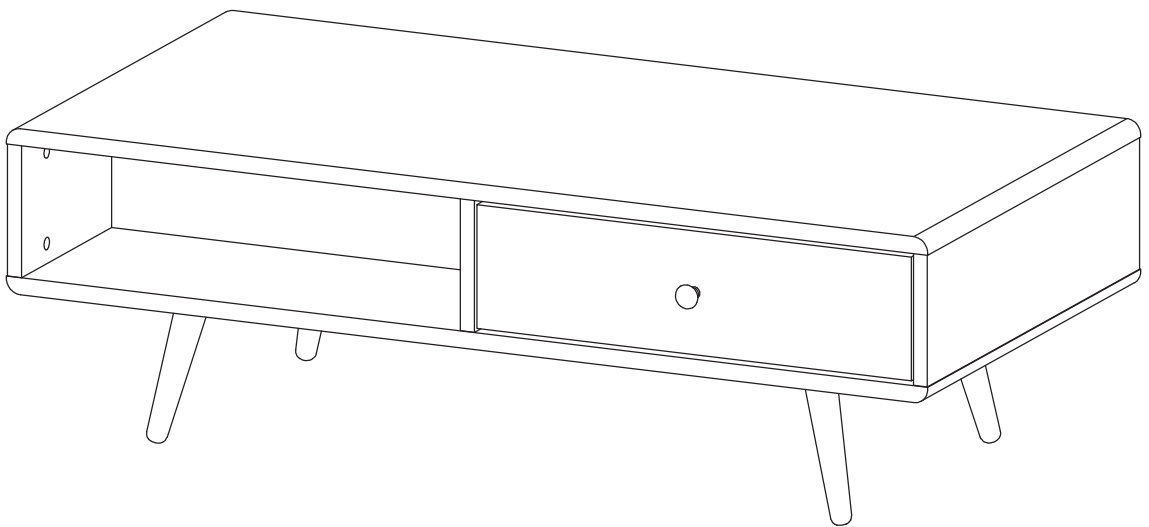
STEP 16:



Ox3

COFFEE TABLE

STEP 17:



Assembly is completed. The Coffee Table is ready to enjoy now !