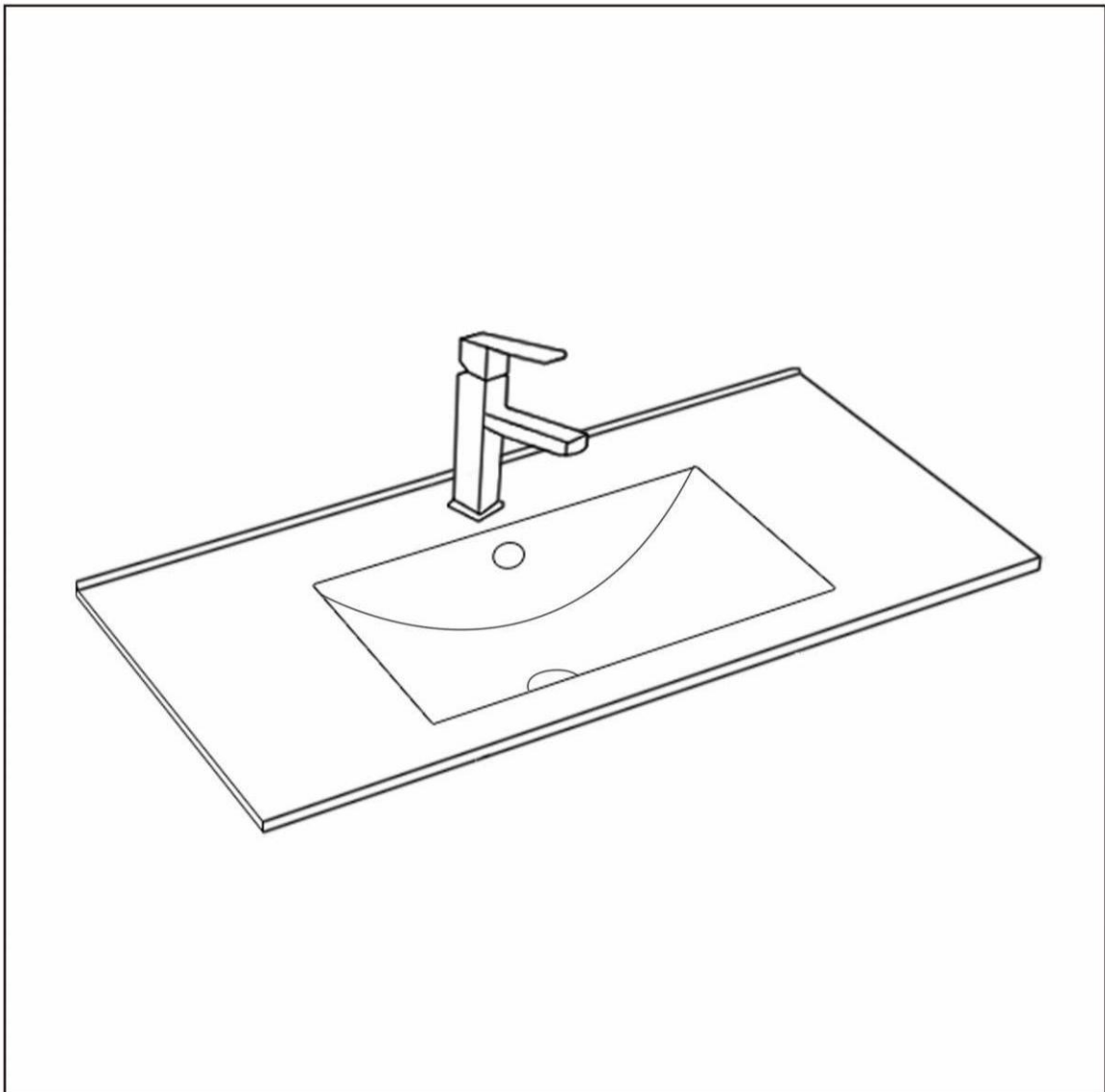
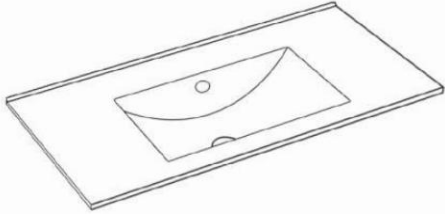
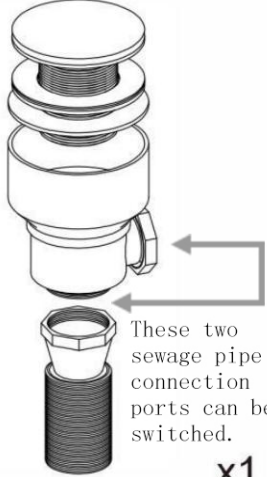

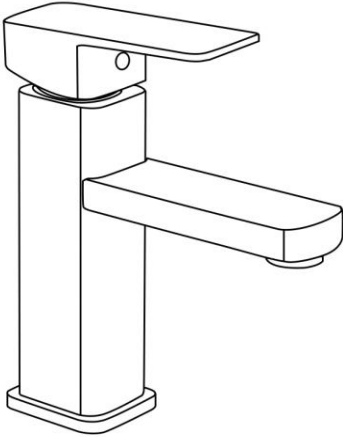






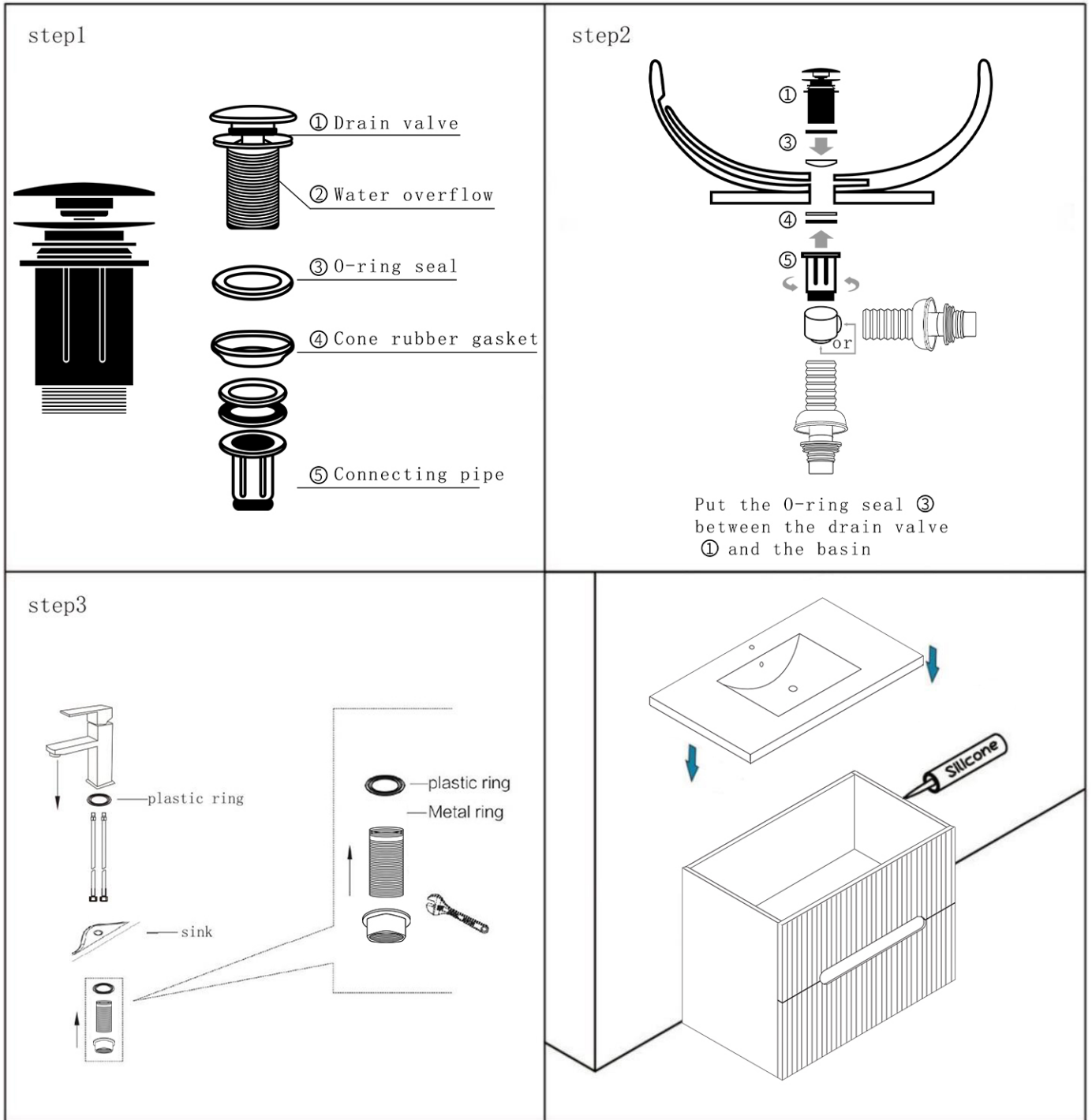
Bathroom Vessel Sink



Package list

 <p>x1</p>	 <p>These two sewage pipe connection ports can be switched.</p> <p>x1</p>	 <p>x1</p>
 <p>x1</p>	 <p>x1</p>	 <p>x1</p>
	 <p>x1</p>	 <p>x1</p>

Basin&Faucet Installing



Tip&Warnings

Don't over-tighten the water lines. It could damage the faucet. Certain dimensions of your vanity must be exact. The diameter of the tapping hole needs to be 1 3/8 in. The gap between the tapping hole and the drain hole needs to be 10 3/4 in.