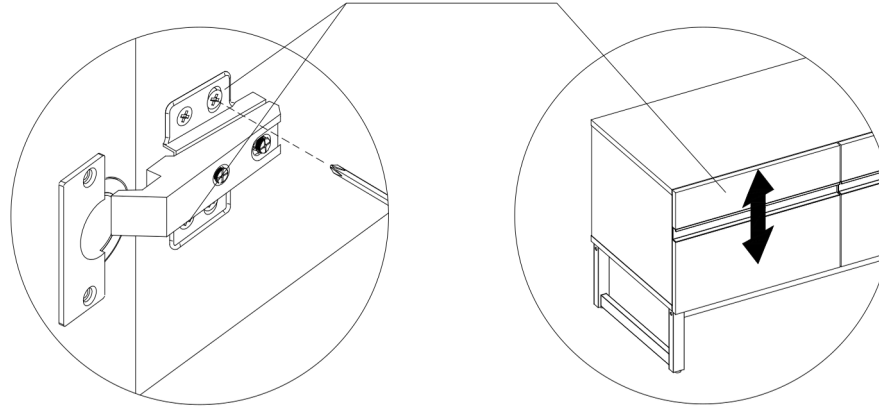


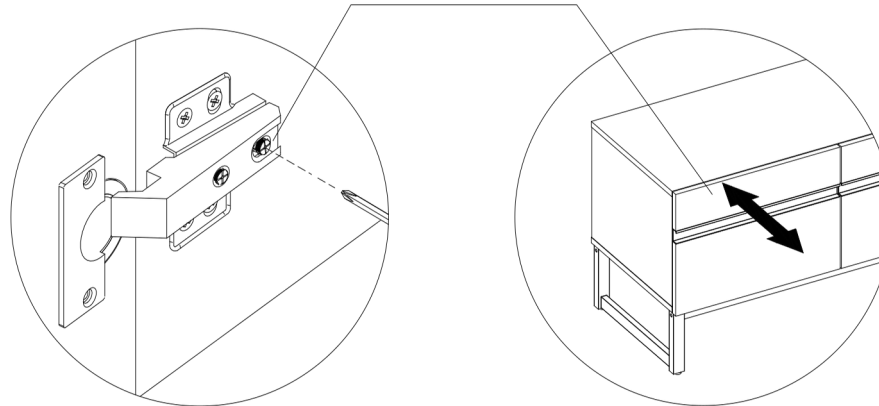
10

INSTALLATION STEPS

Adjust Height / 高さを調節



Adjust front and back / 前後を調節



Adjust Left and right / 左右を調節

