

Focus

Prep Kitchen Faucet, 2-Spray Pull-Down, 1.75 GPM

Finishes : **chrome** Part no. : **04506001**



Description

Features

- Swivel range 150°
- Laminar spray, needle spray
- Toggle spray diverter
- MagFit magnetic sprayhead docking
- deck mounted
- Flow: 1.75 GPM (6.6 L/Min)
- Ceramic cartridge
- 3/8" connections
- Integrated double backflow prevention

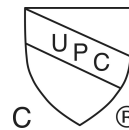
Item details

List Price \$ 510.00

Technology



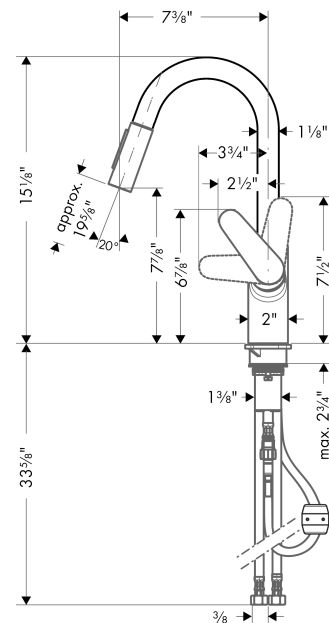
Compliance



Product image



Scale drawing

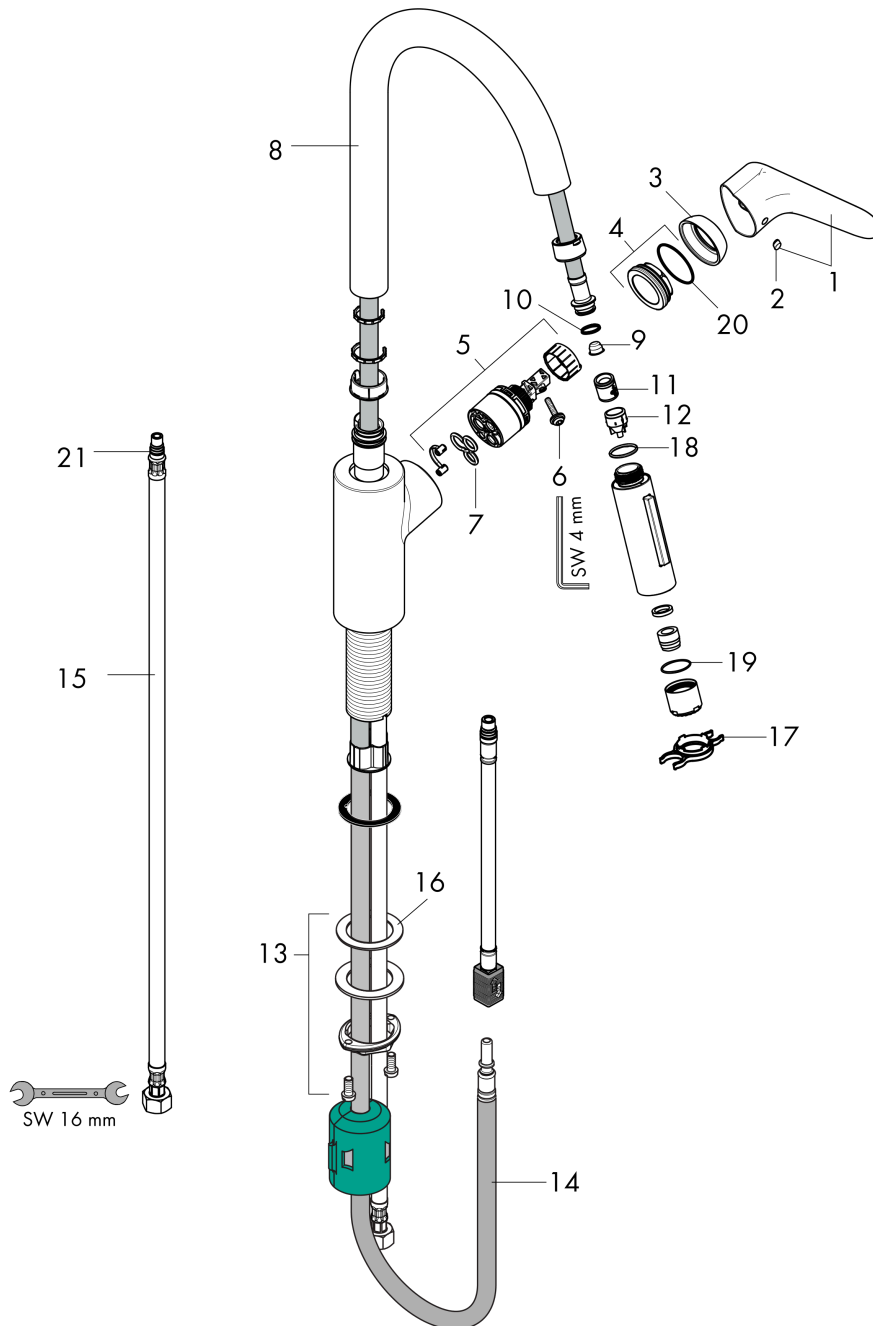


Focus
Prep Kitchen Faucet, 2-Spray Pull-Down, 1.75 GPM
 Finishes : **chrome** Part no. : **04506001**



Exploded drawing

Year of production: >11/20



Focus

Prep Kitchen Faucet, 2-Spray Pull-Down, 1.75 GPM

Finishes : **chrome** Part no. : **04506001**



Spare parts list

Year of production: >11/20

Pos.	Description	Part no.	Price	PU
1	handle	98460000	-	1
2	screw cover	96338000	-	1
3	flange	95498000	-	1
4	nut	97209000	-	1
5	cartridge, assy	92730000	-	1
6	locking screw for handle	95140000	-	1
7	seal	95008000	-	1
9	filter	97735000	-	1
10	O-ring 11x2	98127000	-	1
11	non return valve	93218000	-	1
12	set of non return valves DW 15	97350000	-	1
13	fixing set (Ø 34)	95049000	-	1
14	hose 1,50 m	88624000	-	1
15	connection hose 35½" M8x0,75 3/8"	96316001	-	1
17	service tool	95910000	-	1
18	O-ring 18x1,5	98231000	-	1
19	O-ring 20x1	98140000	-	1
a	connection hose 600 mm M10x1	95561000	-	1
b	weight	98551000	-	1
c	aerator laminar M22x1 (15 l/min)	95909000	-	1
d	handspray	98459001	-	1