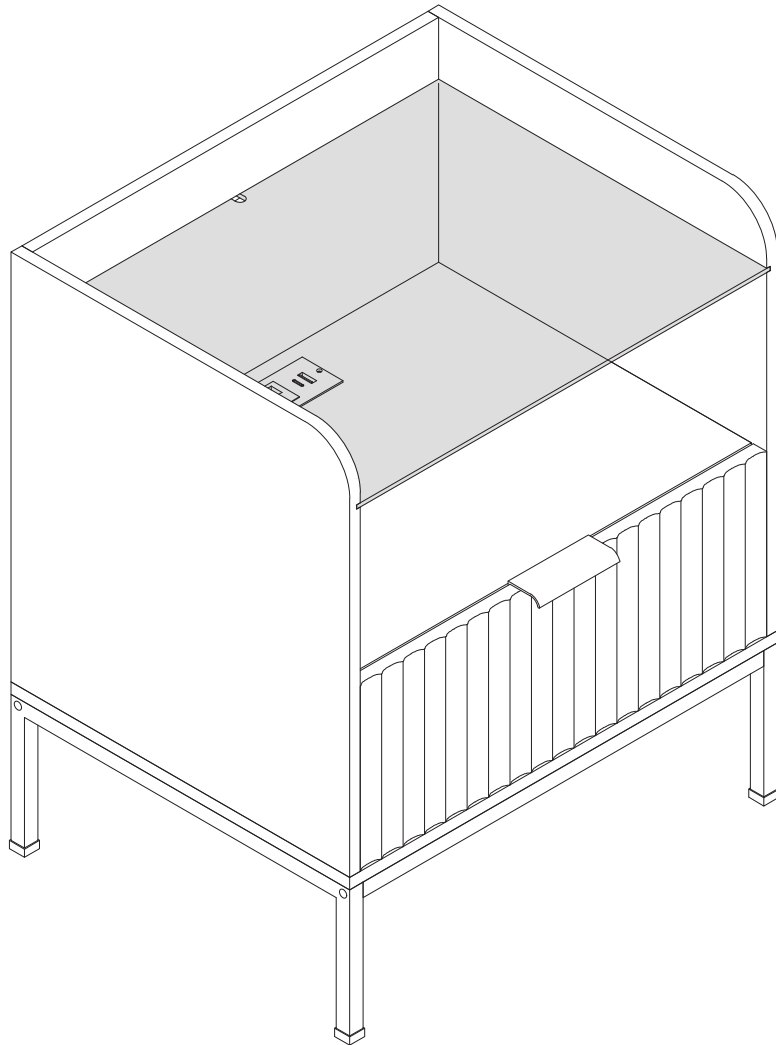



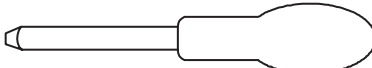

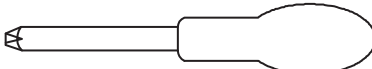


# ASSEMBLY INSTRUCTION



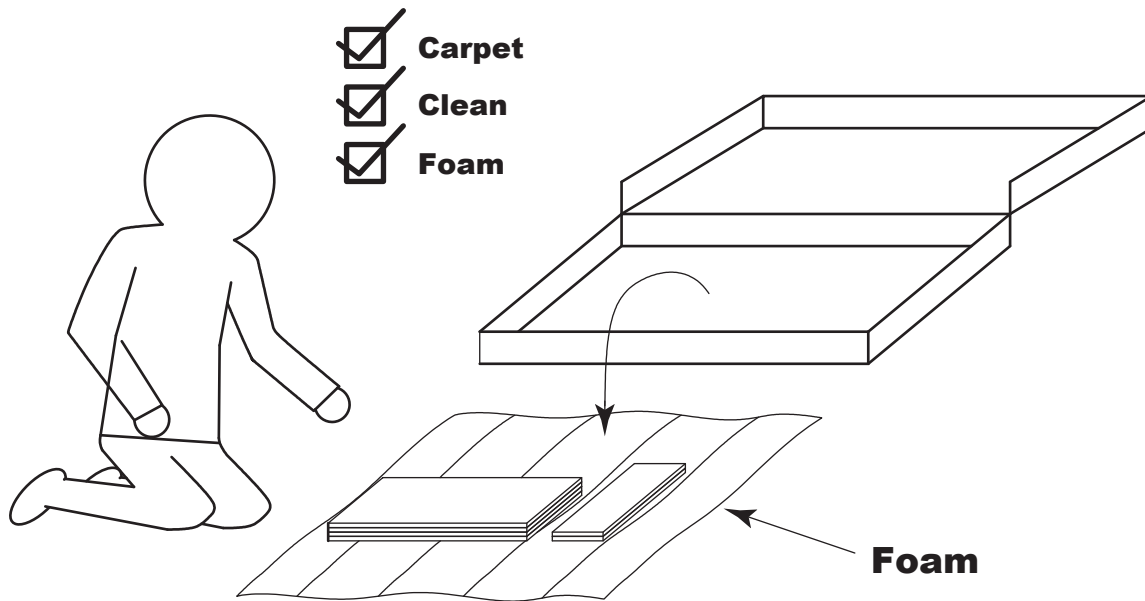
	
1 Person	20 MIN

-    
SLOTTED SCREWDRIVER(Not Provided)
-    
POZI SCREWDRIVER(Not Provided)

Please note:

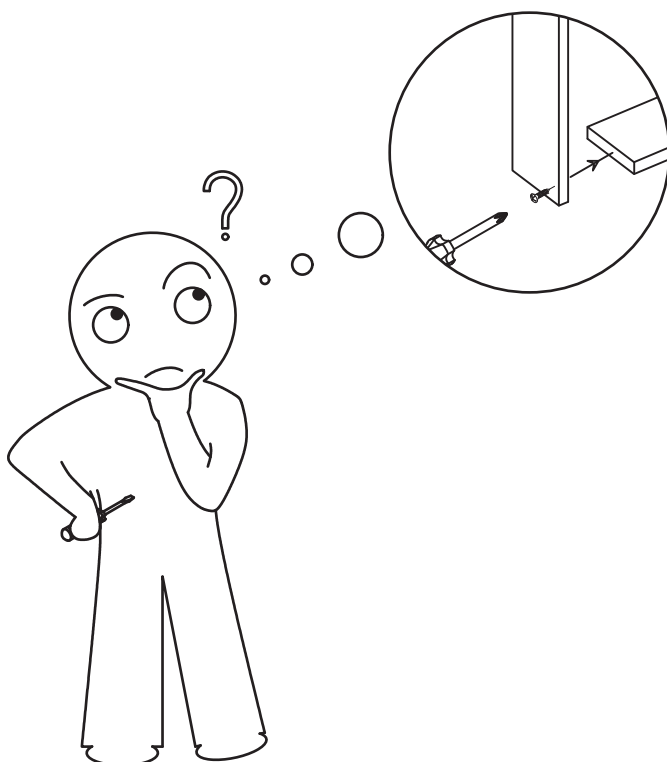
Before installation, please confirm:

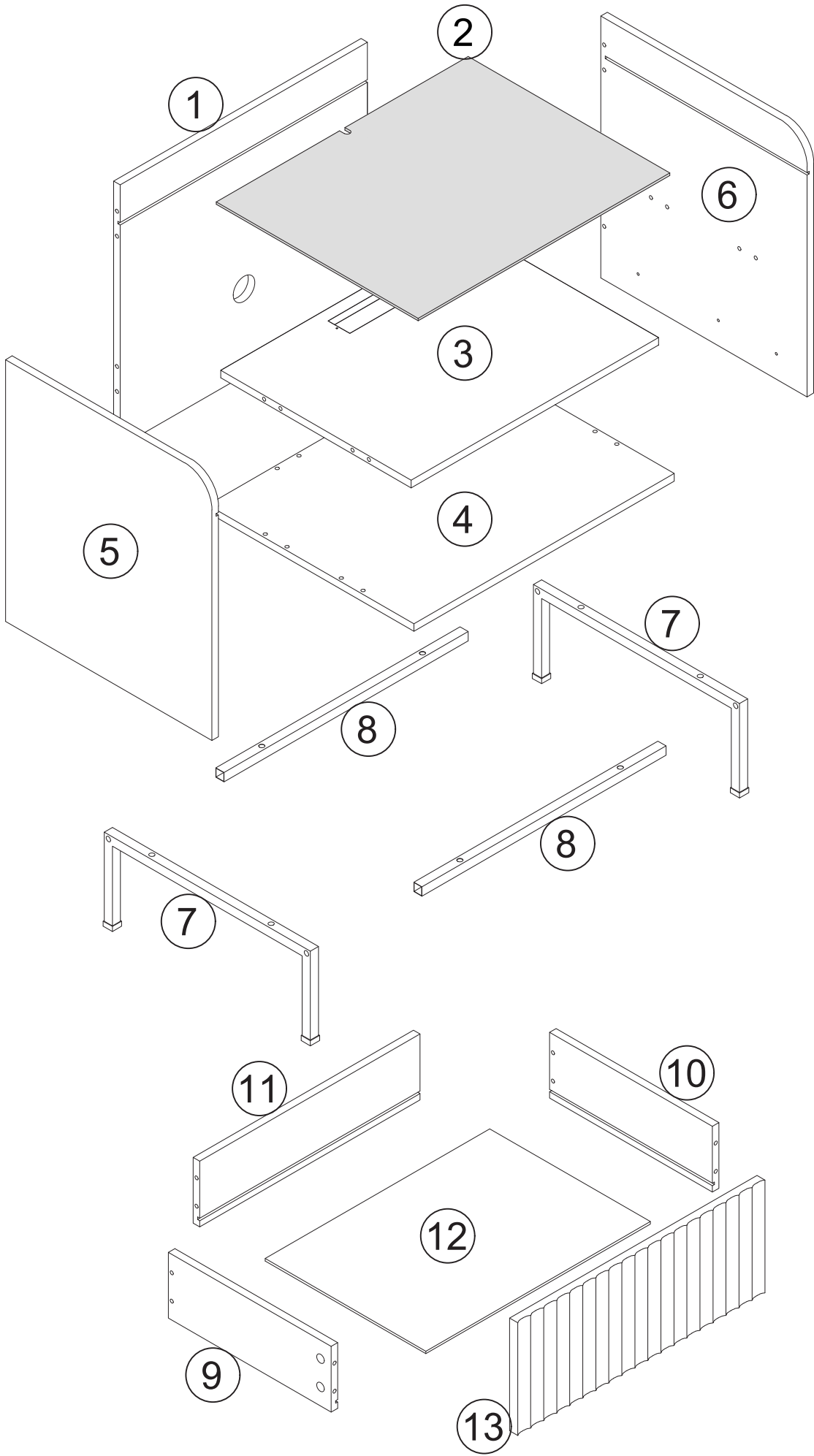
1. Please kindly separate the hardware package and board to avoid screws scratching the board.
2. You can install our product on the carpet, which is better to install.
3. If there is no carpet, you can clean the floor to avoid small stones and other sundries, or assemble the products on the foam of our package to prevent product damage during the assembly process.



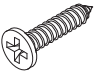
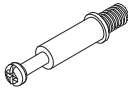
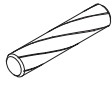
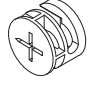
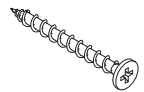
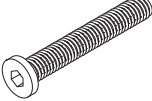

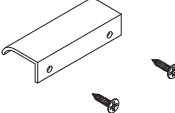
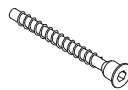
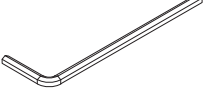
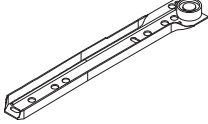
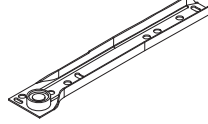
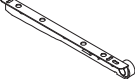
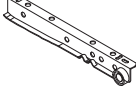
If anything, please kindly contact us anytime.

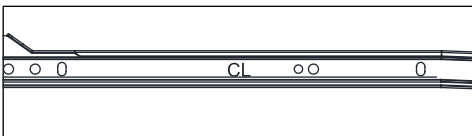
 : [HYHafter\\_service@163.com](mailto:HYHafter_service@163.com)






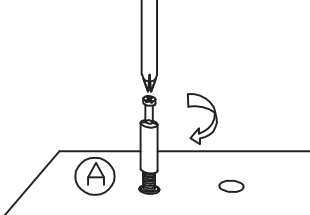
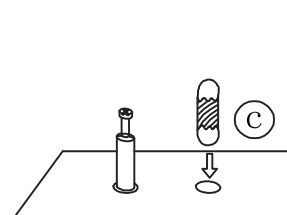
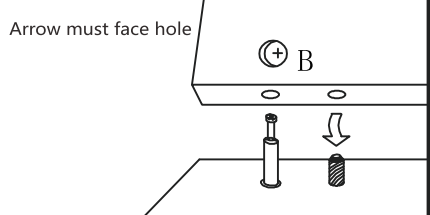
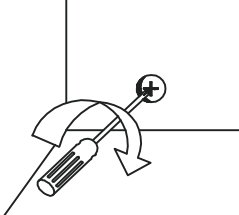
# Hardware

A	x10	B	x12	C	x14	D	x12	E	x10
									
F	x4	G	x1	H	x1	I	x8	J	x1
									
CR	x1	CL	x1	DR	x1	DL	x1		
									

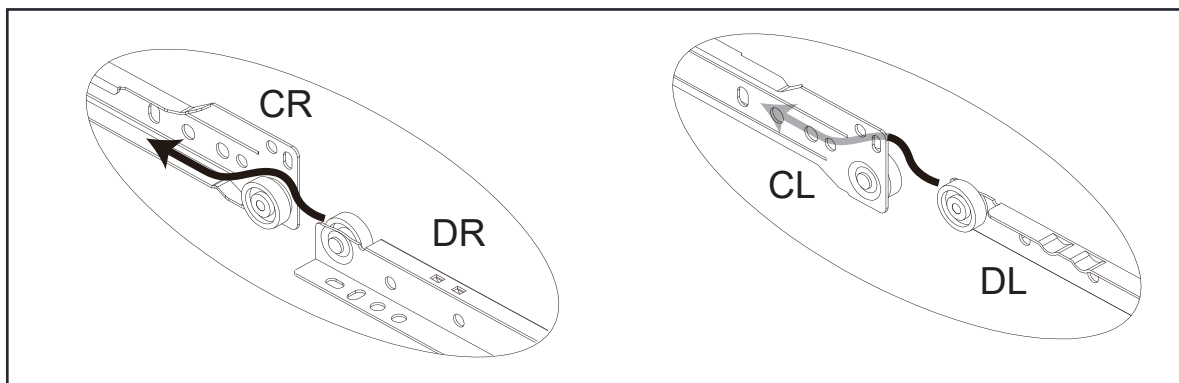


 you will find "CL/CR/DL/DR" steel remark on the drawer slider.

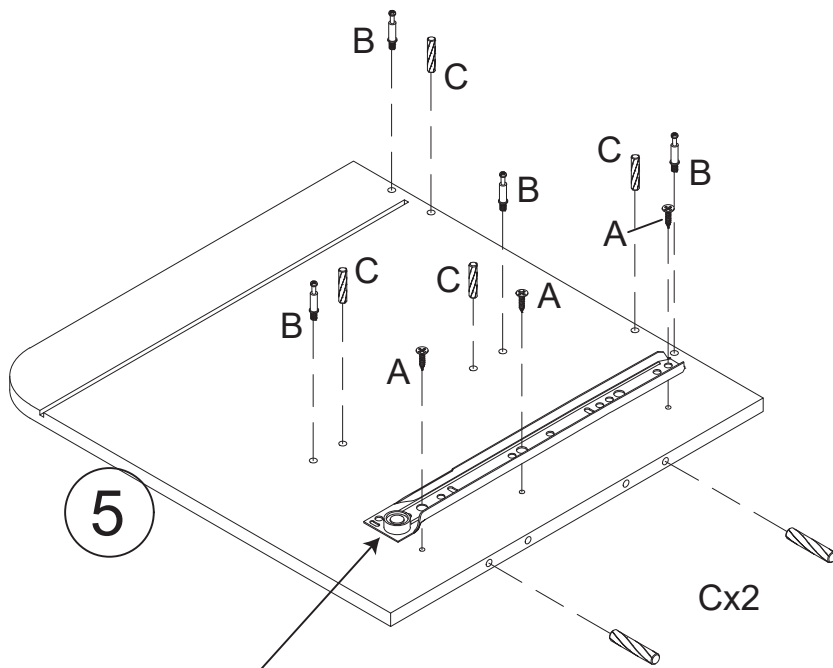
## General instructions to assemble connecting pieces





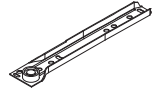
			
Gently screw cam bolt into the threaded anchor.	Insert the wood dowel halfway into hole.	Arrow must face hole	Screw the camlock firmly into locked position.

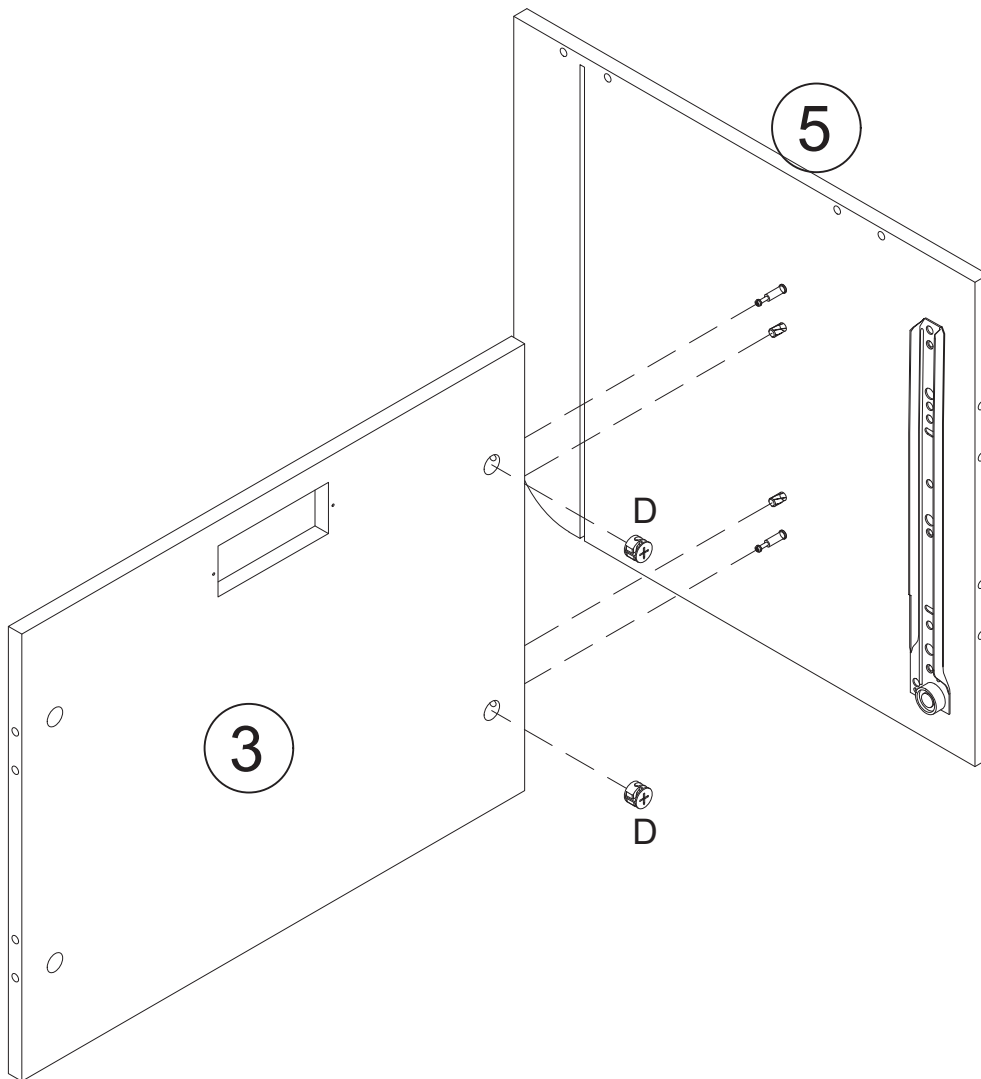
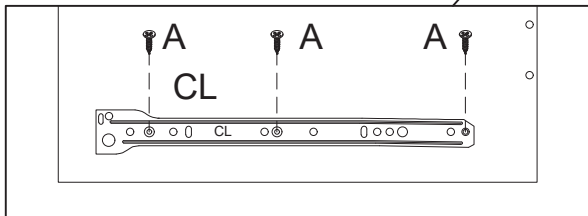
Important: Please split the slider into 2 parts by pressing down on the tab shown with the arrow below

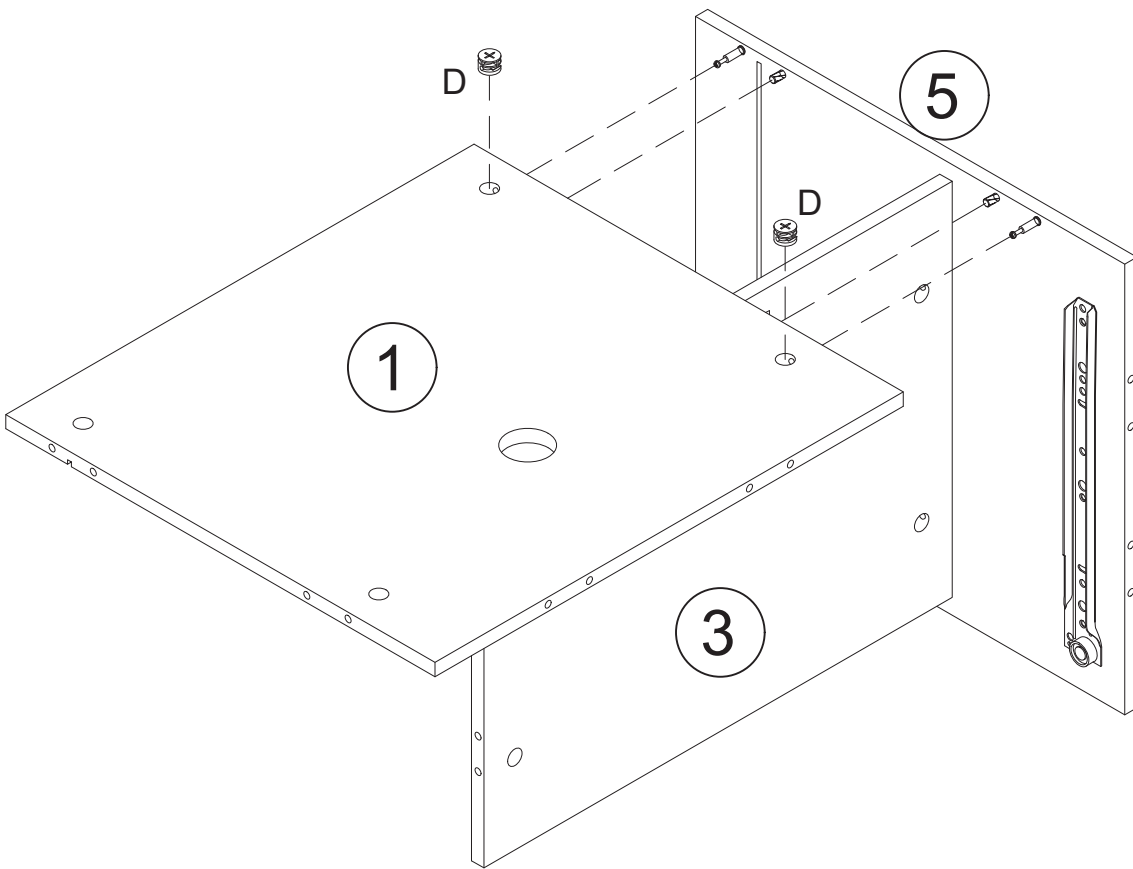


1

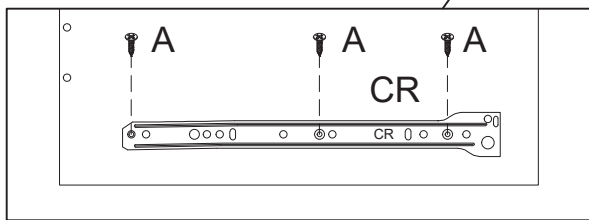
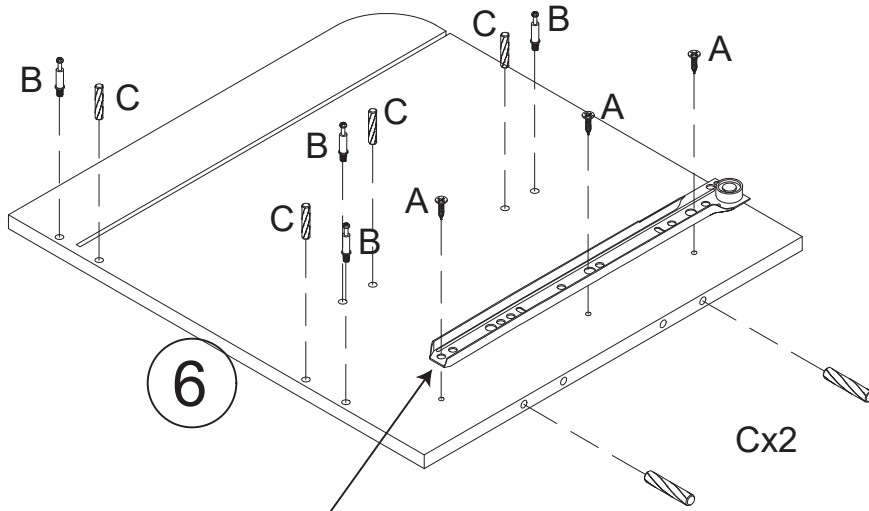






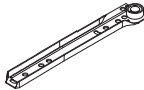
A	x3
	
B	x4
	
C	x6
	
D	x2
	
CL	x1
	

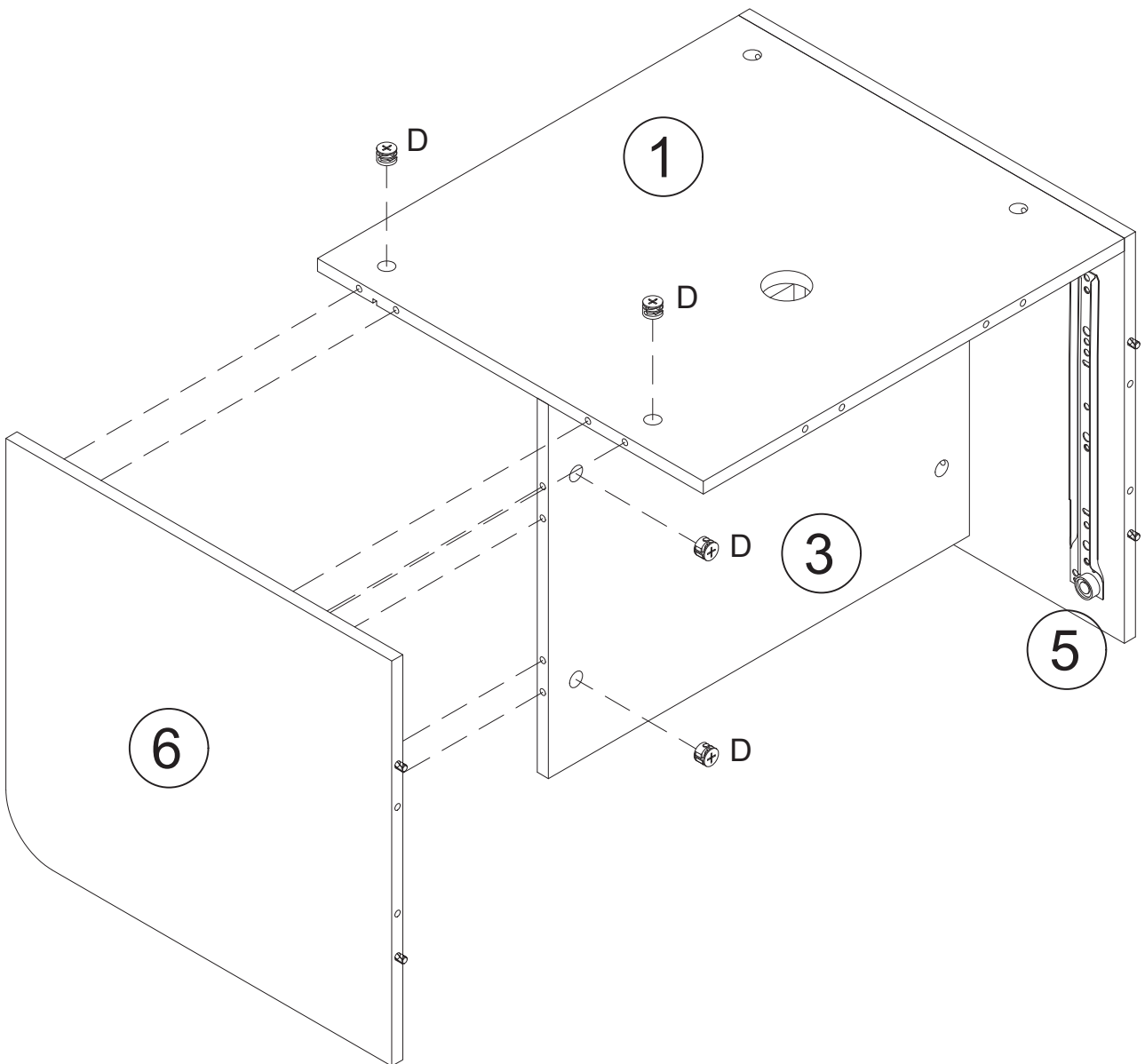




3



A	x3
	
B	x4
	
C	x6
	
D	x4
	
CR	x1
	

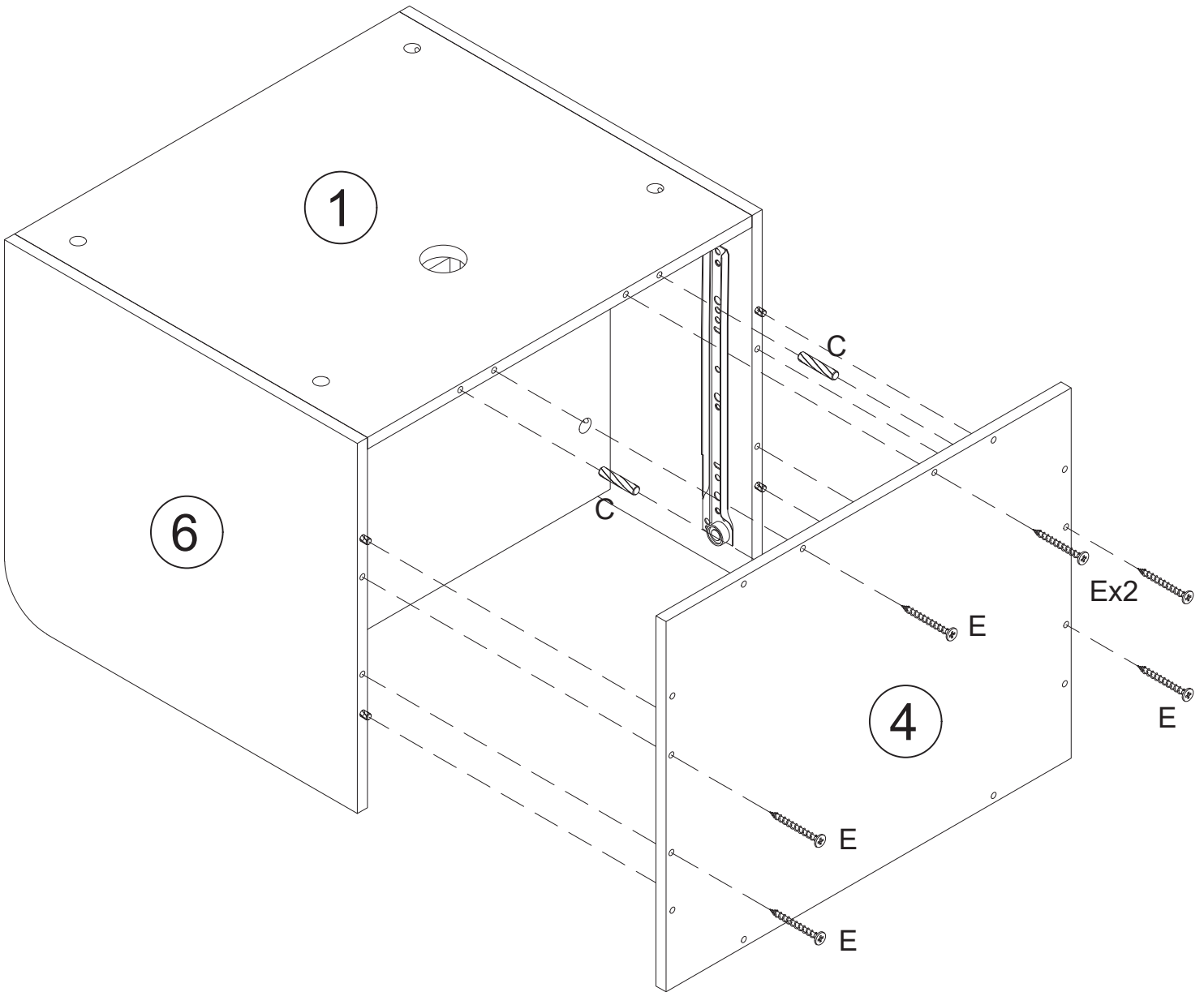


4

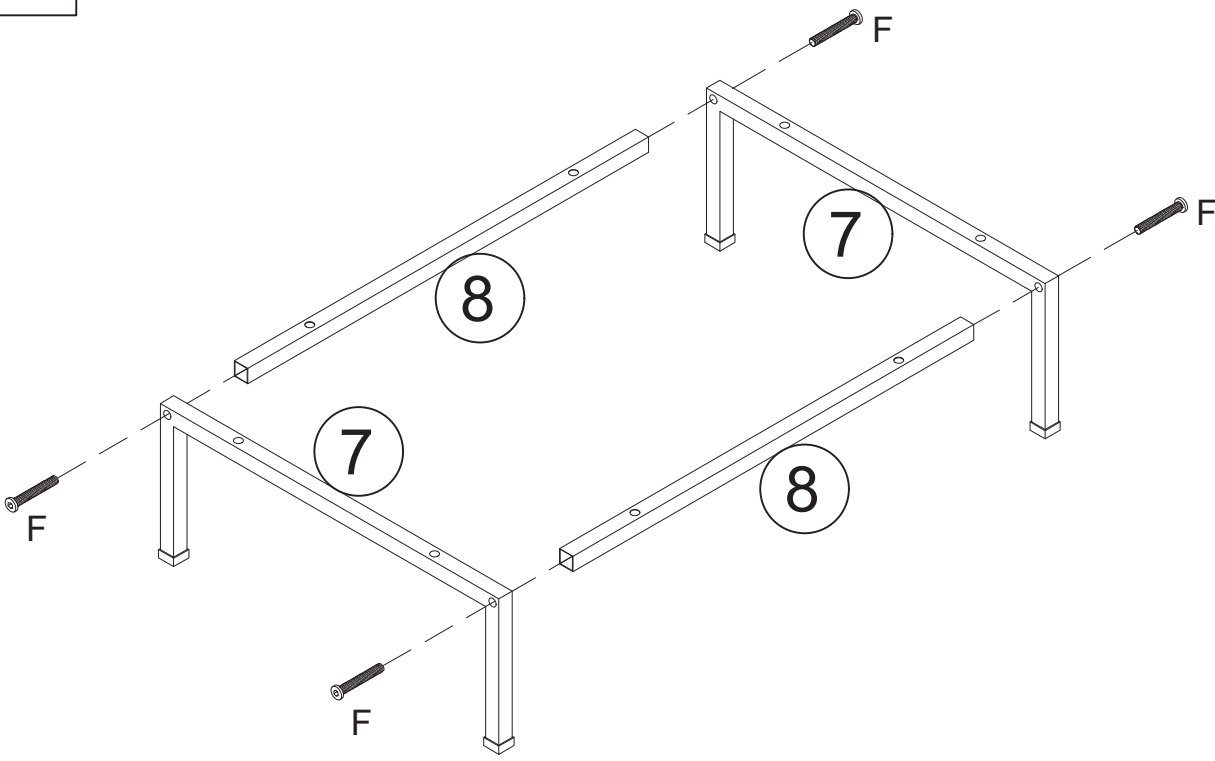
C x2

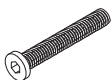
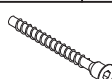



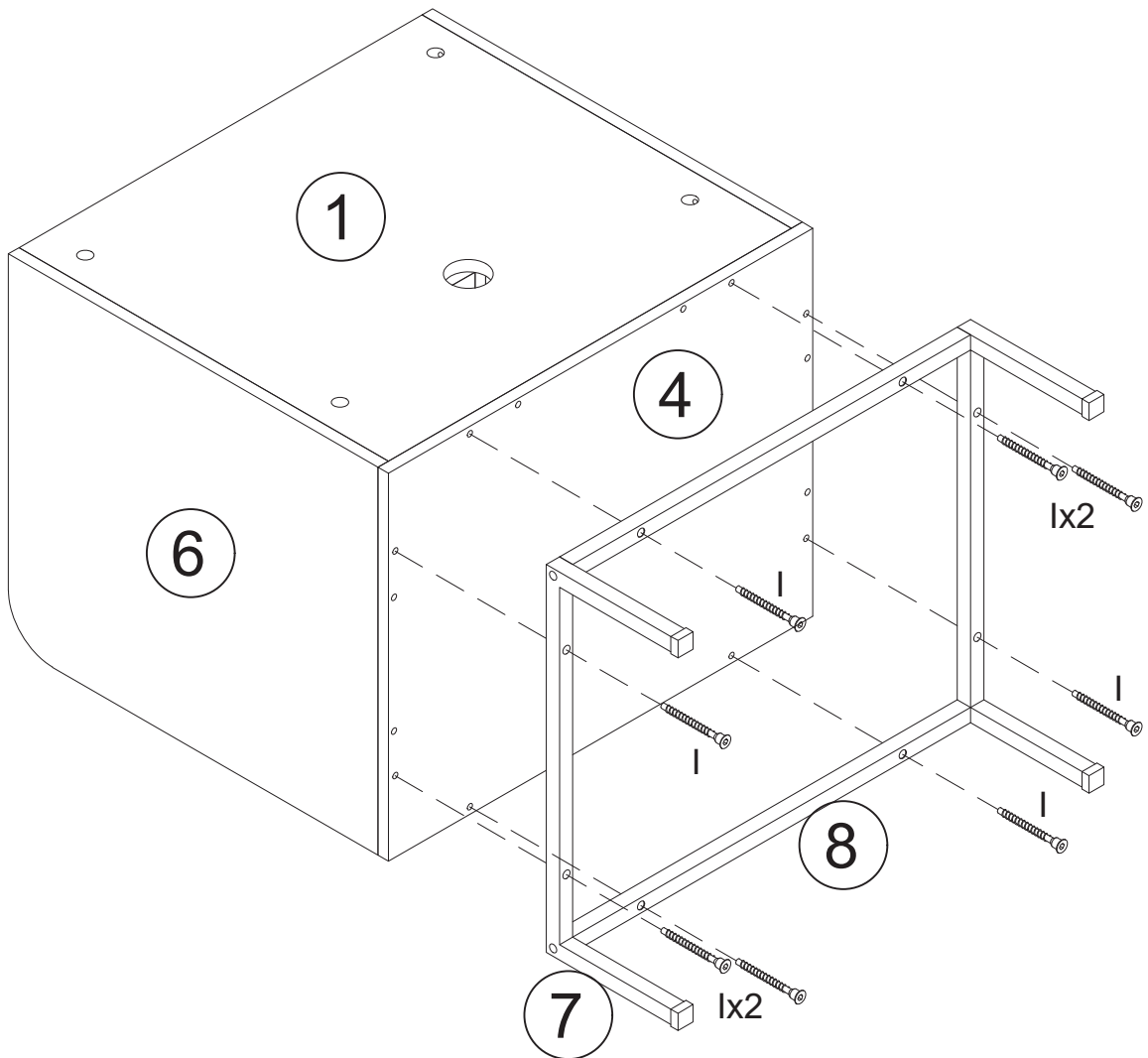
E x6



5

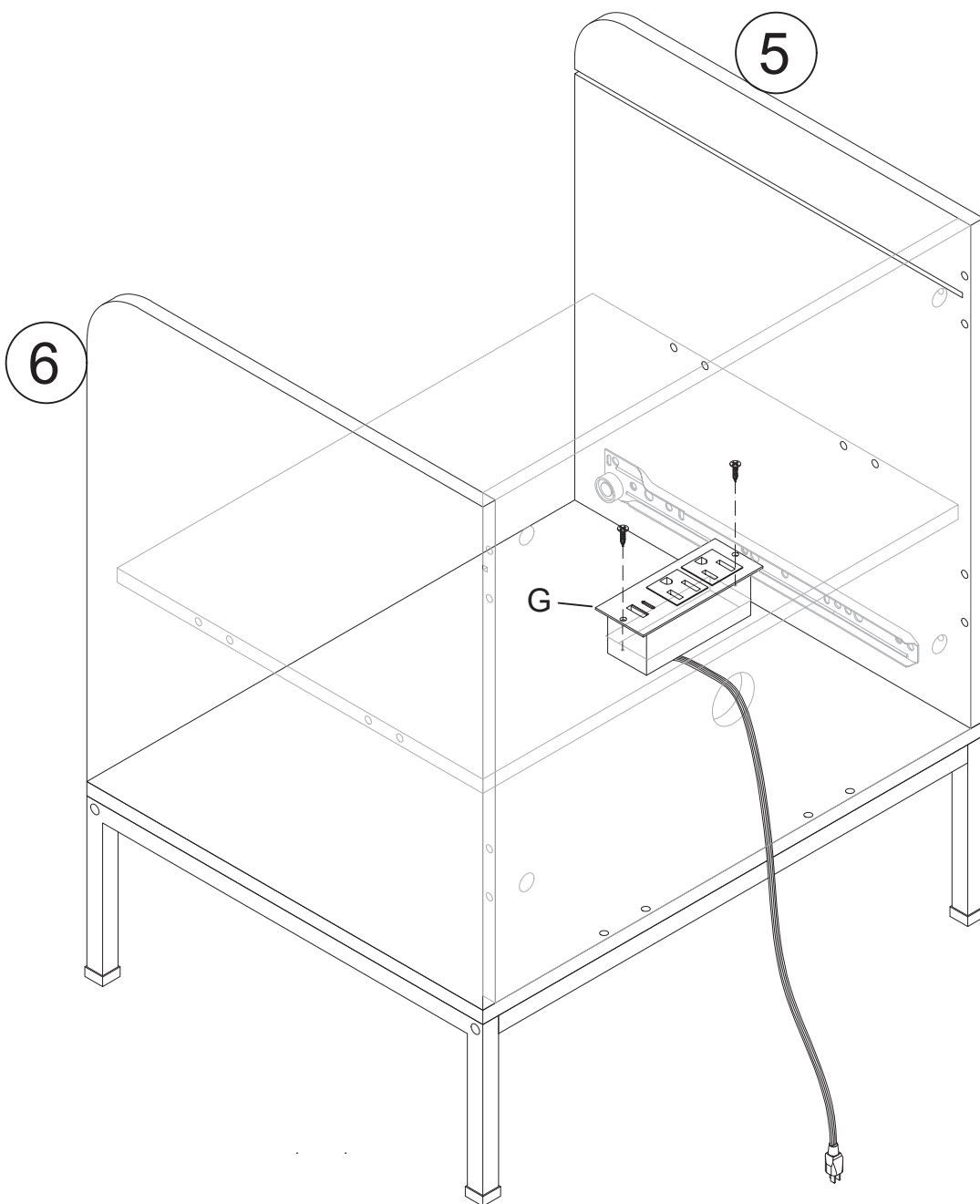


F	x4
	
I	x8
	
J	x1
	

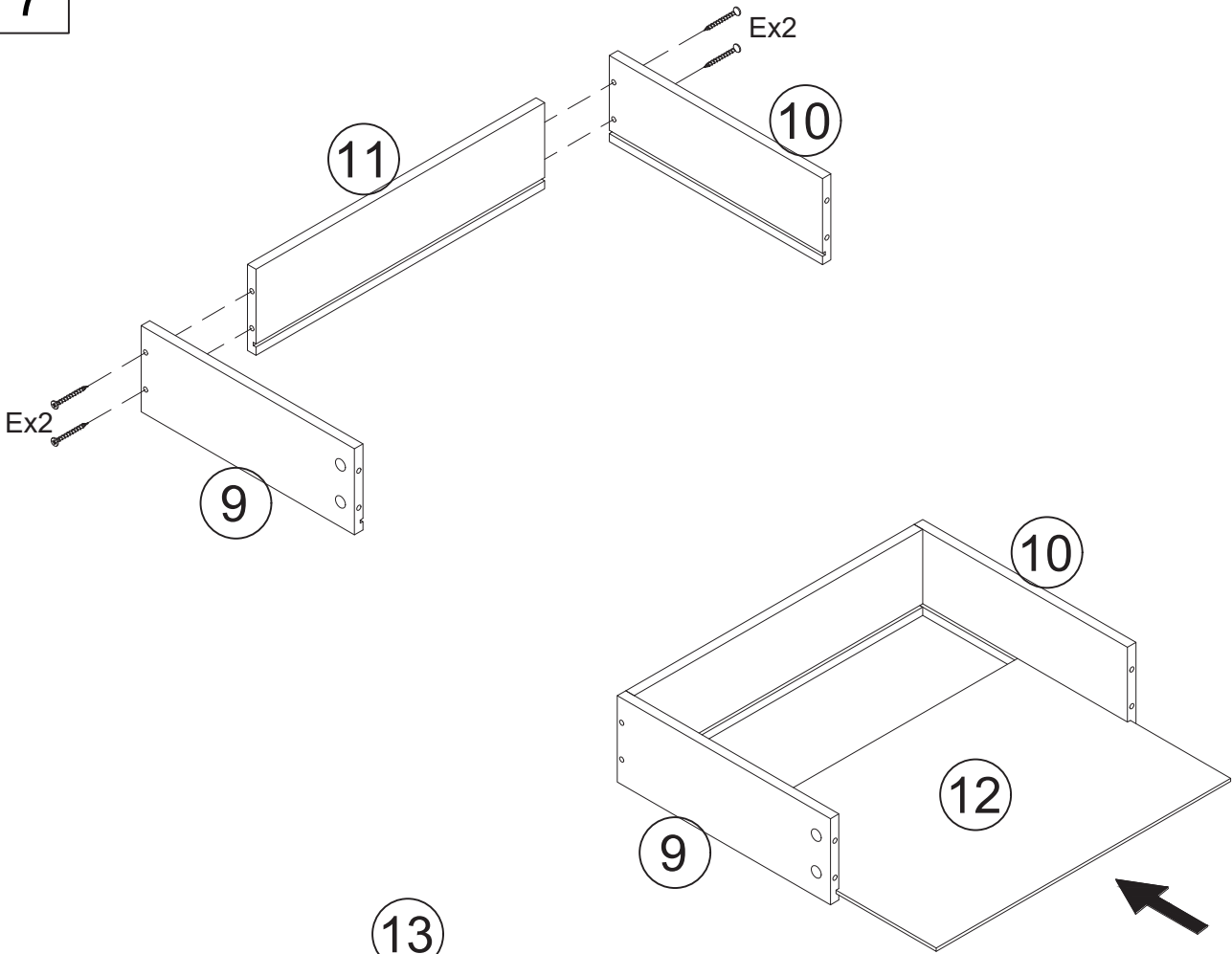


6

G x1



7



A	x4
B	x4
D	x4
E	x4
H	x1
DR	x1
DL	x1

