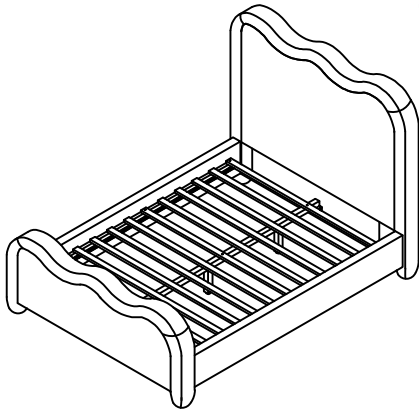


# ASSEMBLY INSTRUCTIONS

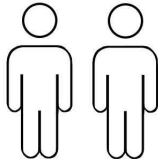
## GAVIN - FULL



### + Do Not Use Power Tools



### + Suggested Adults



**NOTE:** For questions about parts or assembly please email [support@meridianfurnitureusa.com](mailto:support@meridianfurnitureusa.com) or call us at 718-758-4455.

- 1 Read instructions cover to cover.
- 2 Save all packaging until assembly is completed.

### 1 IMPORTANT SAFETY INFORMATION

Do not assemble the product if any of the following parts arrived damage:

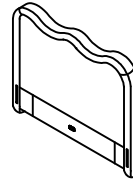
- Part 3 - Side Rails
- Part 4 - Center Support Bar
- Part 5 - Support Legs
- Part 6 - Slats

### 2 IMPORTANT ASSEMBLY INFORMATION

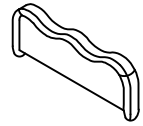
**Assembly Step** Ensure the side rail bracket is fully hooked onto bolt loosely threaded with both washers on the OUTSIDE of the bracket first, then proceed to fully tightening all 4 corners.

### + Parts Included

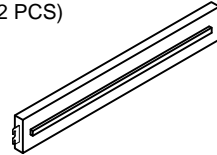
① HEADBOARD (1 PC)



② FOOTBOARD (1 PC)



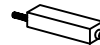
③ SIDE RAILS (2 PCS)



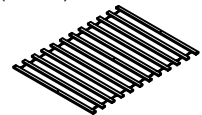
④ CENTER SUPPORT BAR (1 PC)



⑤ SUPPORT LEGS (3 PCS)



⑥ SLATS (1 SET)



### + Hardware Included

**A** M4 x 38mm (9 PCS)

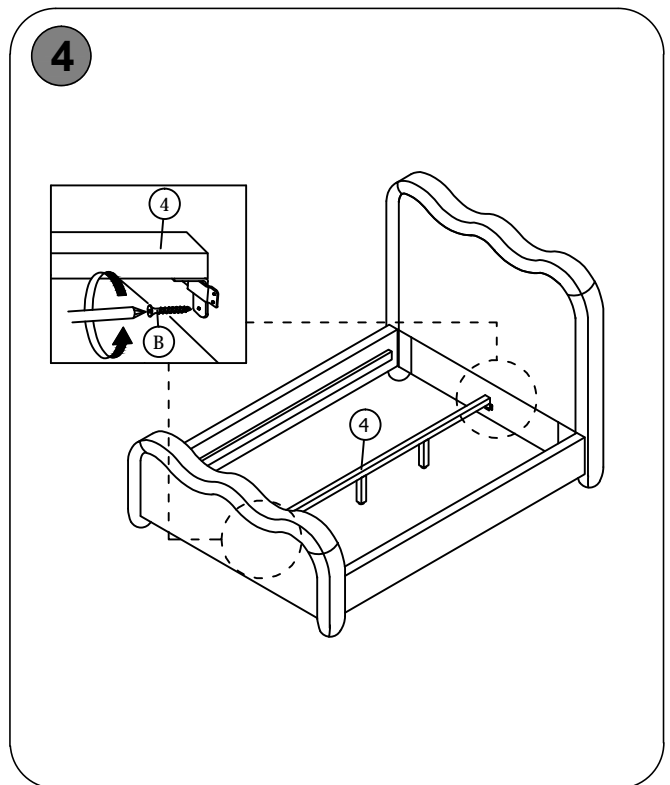
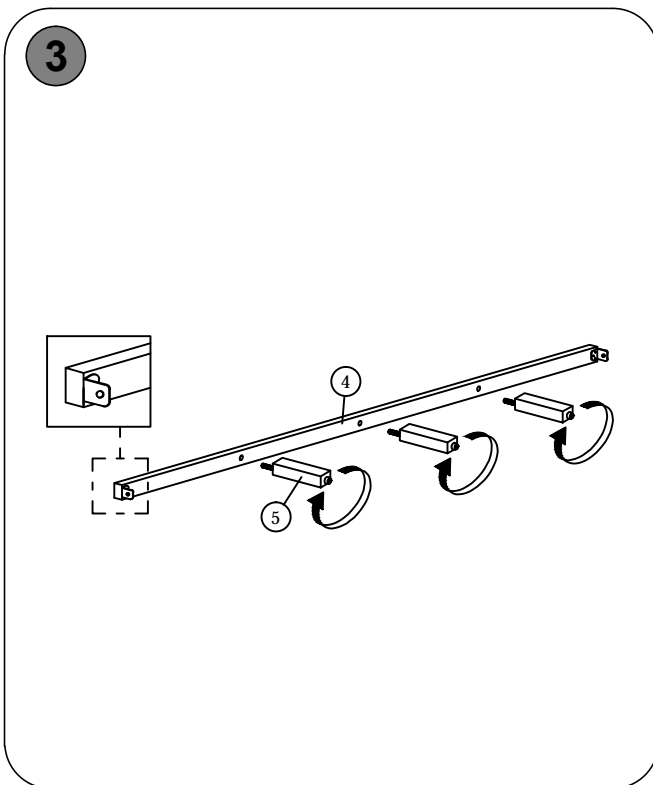
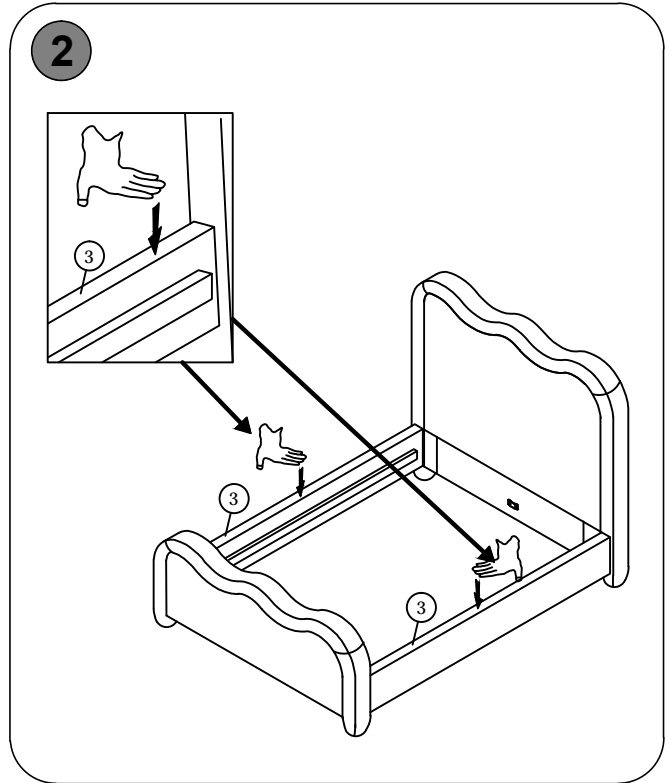
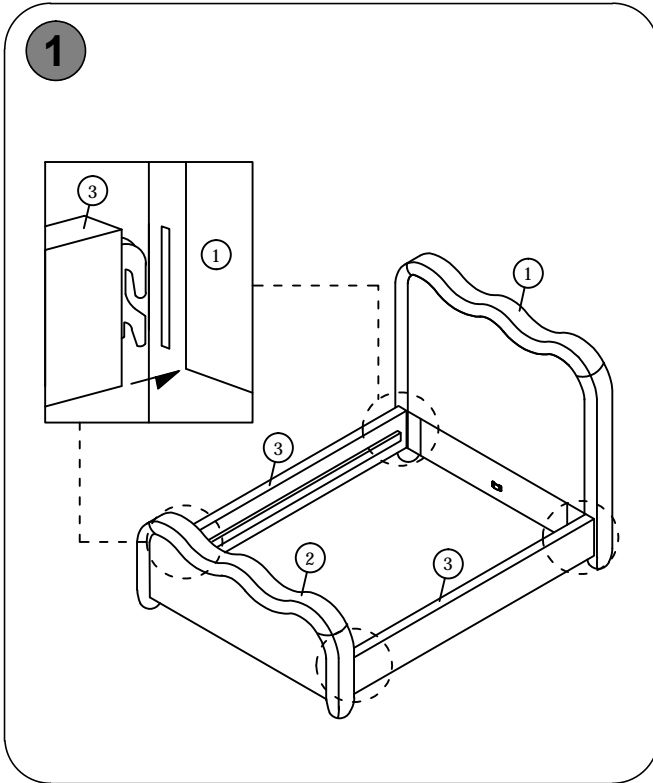
**B** M4 x 20mm (2 PCS)



# ASSEMBLY INSTRUCTIONS

## GAVIN - FULL

meridian.  
furniture



**NOTE:** For questions about parts or assembly please email [support@meridianfurnitureusa.com](mailto:support@meridianfurnitureusa.com) or call us at 718-758-4455.

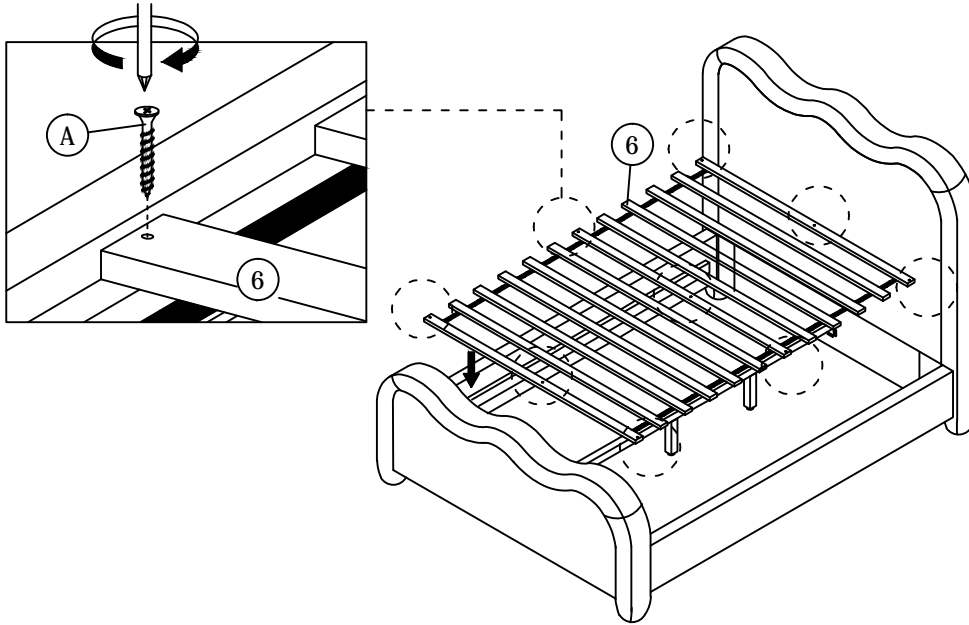
[www.MeridianFurnitureUSA.com](http://www.MeridianFurnitureUSA.com) | [support@meridianfurnitureusa.com](mailto:support@meridianfurnitureusa.com)

# ASSEMBLY INSTRUCTIONS

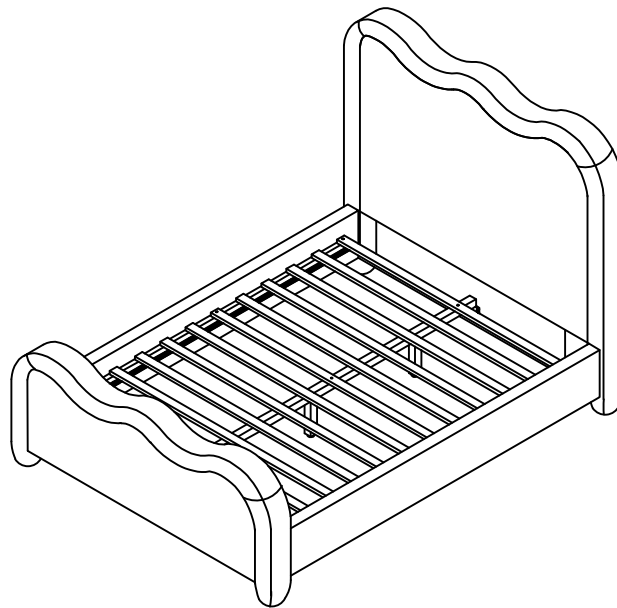
## GAVIN - FULL

meridian.  
furniture

5



6



**NOTE:** For questions about parts or assembly please email [support@meridianfurnitureusa.com](mailto:support@meridianfurnitureusa.com) or call us at 718-758-4455.

[www.MeridianFurnitureUSA.com](http://www.MeridianFurnitureUSA.com) | [support@meridianfurnitureusa.com](mailto:support@meridianfurnitureusa.com)