

WARNING!!

Furniture Tipping Risk.

Serious risk of severe or fatal crush injuries can occur from furniture tipping over if not secured.

Children like to climb on furniture and Unsecured furniture can pose a serious danger.

Please follow all instructions and install the tip-over restraints provided.

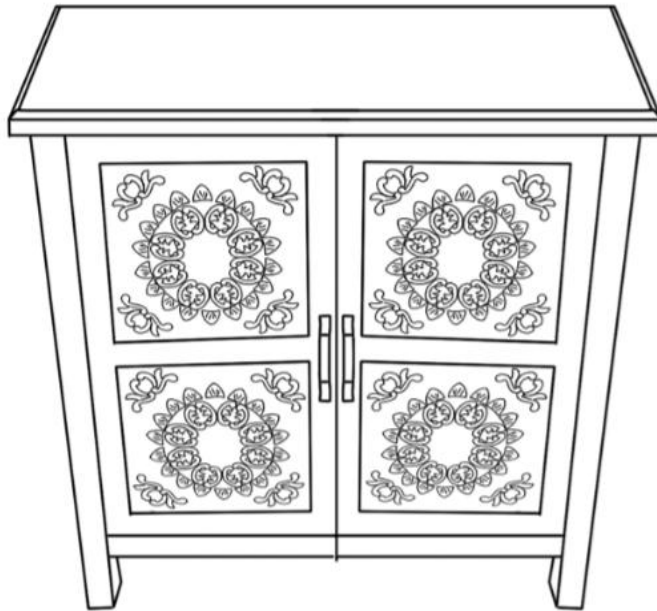
In addition to installing the restraints, to help prevent tip-over:

1. Unless specifically designed to accommodate, do not set TV's or other heavy objects on top of this product.
2. Never allow children to climb or hang on top glass.
3. Do not step on the Cabinet.

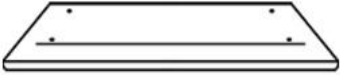
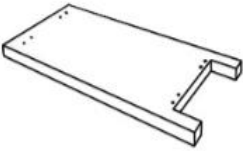
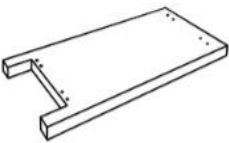
Assembly Instructions


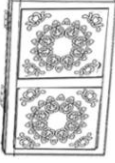
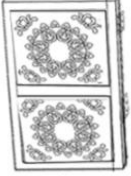
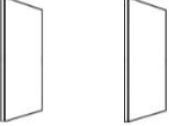





Caution : You must read this before you proceed

Cabinet



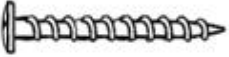


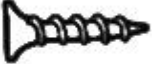



Parts List





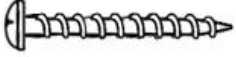

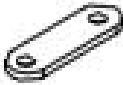
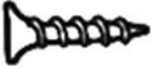

Label	Picture	Description	QTY
A		Top Panel	1
B		Left Side Panel	1
C		Right Side Panel	1

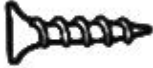

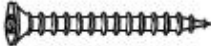
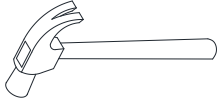
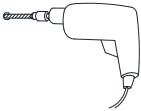
D		Stand Panel	1
E		Left Door Panel	1
F		Right Door Panel	1
G		Back Panel	2
H		Shelf Panel	1
I		Blend Stop	1
J		Slot Bar	1
K		Left Side Rail	1
L		Right Side Rail	1

Hardware

Label	Picture	Description	QTY
-------	---------	-------------	-----

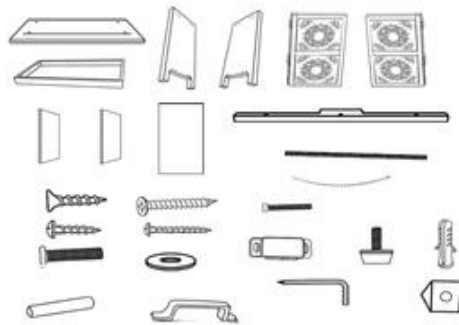
①		Screw(3x14MM)	25
②		Screw(4x30MM)	4
③		Bolt(M4*25MM)	5
④		Washer	9
⑤		Bolt (M3*12MM)	5
⑥		Bolt (M3*14MM)	5
⑦		Door Stopper	2
⑧		Adjustable Leveller	5
⑨		Positioning Dowel	17

⑩		Door Knob	2
⑪		Allen Key	1
⑫		Plastic Corner Support	4
⑬		Bolt(M6*35MM)	9
⑭		Bolt(M4*40MM)	7
⑮		Hinge	4
⑯		Washer	2
⑰		Bolt (M3*16MM)	5
Restraint Device Hardware			
⑱		Restraint Strap	2

①9		Screw	2
②0		Wall Anchor	2
②1		Screw	2
②2		Hammer (not provided)	1
②3		Power Drill (not provided)	1

Assembly Preparation

Before Beginning Assembly:



- Read instructions, cover to cover-



- Have 2 adults on hand for assembly-



- Do not assemble on flooring or carpet-



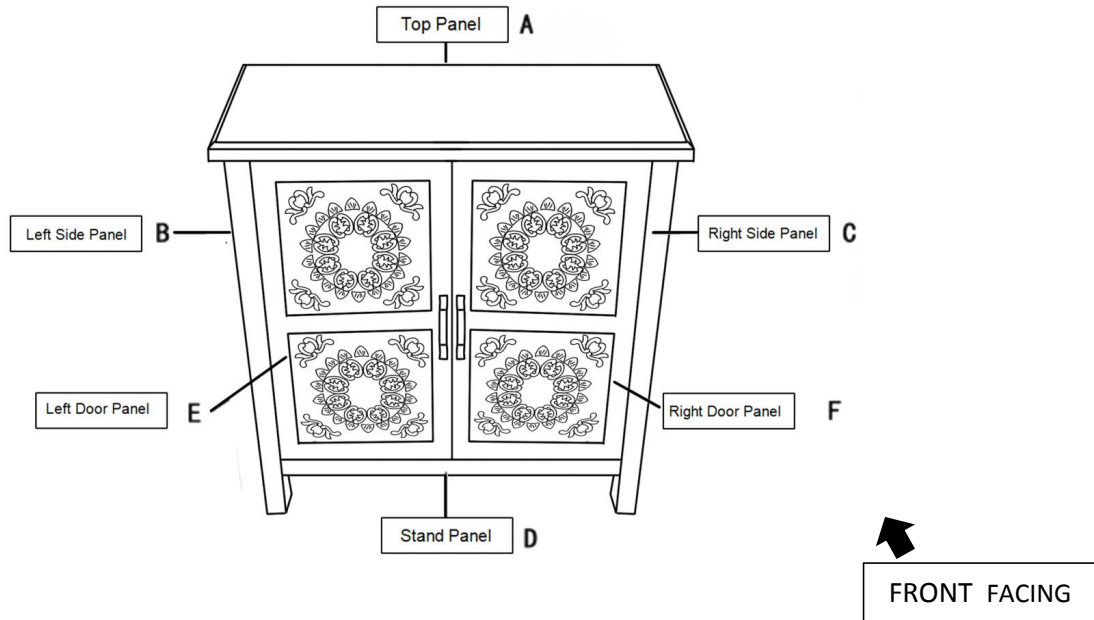
- Assemble on a clean non-marring surface (packing foam)-



- Save all packaging until finished-

Assembly Steps

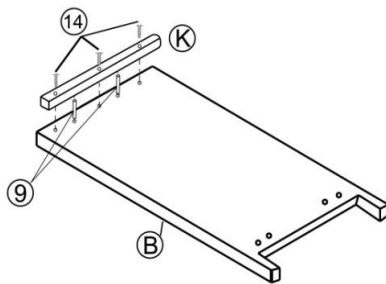
Overview



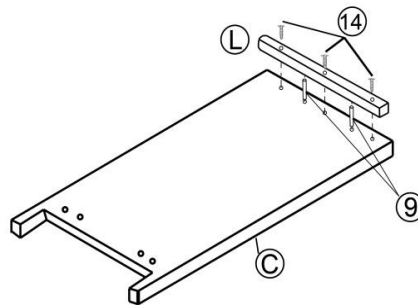
This Cabinet has multiple parts and may require up to some 30 minutes to assemble. To give you an overview of the Cabinet parts, the above picture is to help you put the various parts into perspective. Please read through the instructions herebelow to familiarise the parts and steps before assembly.

Step 1

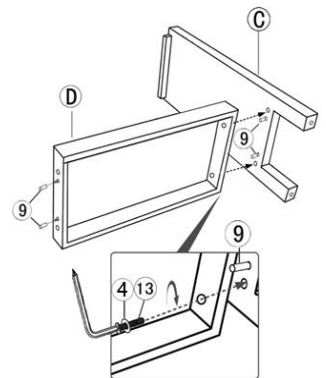
1.1



1.2



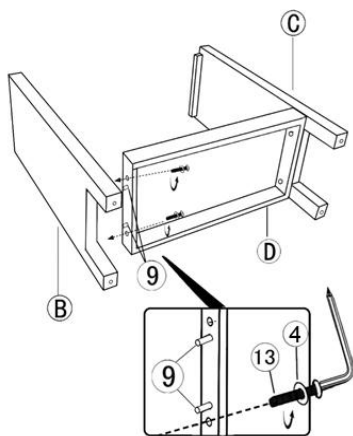
1.3



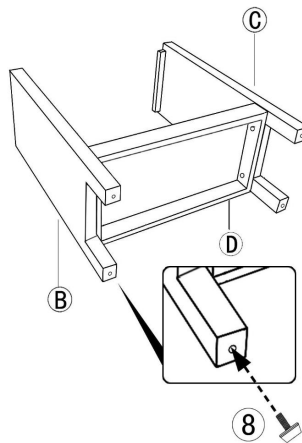
- 1.1) Insert Positioning Dowel(9) into the mounting positions on Panel(B) .
Attach the Left Side Rail(K) to the Stand Panel(B) using Bolt(14) with Allen Key(11) .
- 1.2) Insert Positioning Dowel(9) into the mounting positions on Panel(C).
Attach Right Side Rail(L) to the Stand Panel(C) using Bolt(14) with Allen Key(11).
- 1.3) Insert Positioning Dowel(9) into the mounting positions on Stand Panel(D) .
Attach the Right Side Panel(C) to the Stand Panel(D) using Washer(4) and Bolt(13) with Allen Key(11) .
Fully tighten it until secure.

Step 2

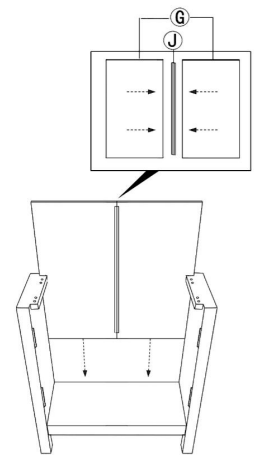
2.1



2.2



2.3



2.1) Attach Left Side Panel(B) to the Stand Panel(D) using Bolt(13) and Washer(4) with Allen Key(11).

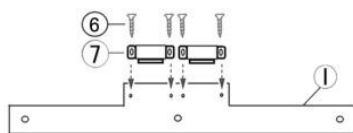
2.2) Attach Adjustable Leveller(8) to the legs of Left Side Panel(B) and Right Side Panel(C) by hand.

2.3) Insert Back Panels(G) into the grooves on Left Side Panel(B), Right Side Panel(C) and Bottom Panel(D).

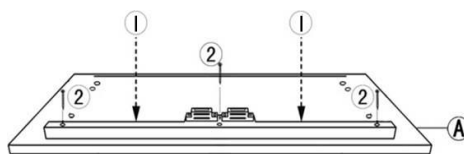
Insert Slot Bar(J) into the middle of the Back Panels(G).

Step 3

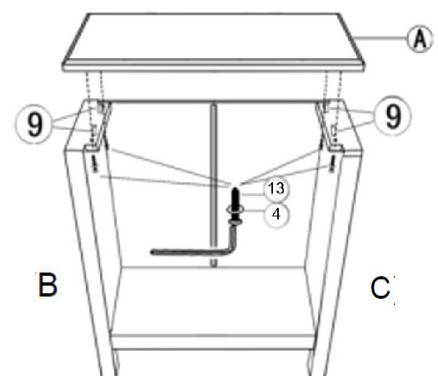
3.1



3.2



3.3



3.1) Attach Door Stopper(7) to Blend Stop(I) using Bolt(6) with Allen Key(11).

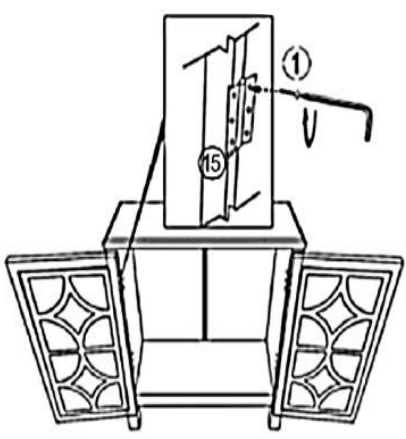
3.2) Attach Blend Stop(I) to the Top Panel(A) using Screw(2) with Allen Key(11).

3.3) Insert Positioning Dowel(9) into the pre-drilled mounting points on the left and right sides of the Left Side Panel(B) & Right Side Panel(C).

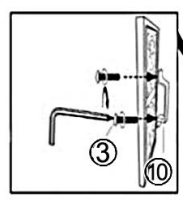
Attach the Top Panel(A) to the Left Side Panel(B) & Right Side Panel(C) using Bolt(13) and Washer(4) with Allen Key(11).

Step 4

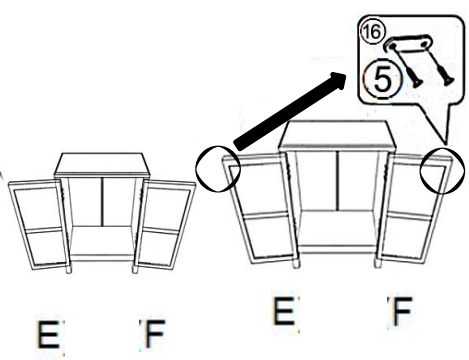
4.1



4.2



4.3



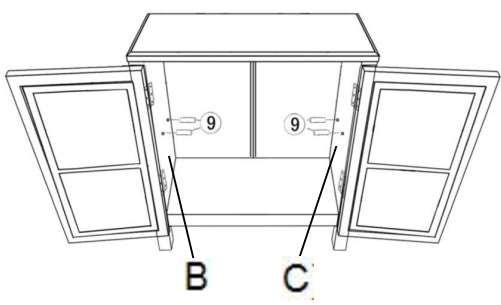
4.1) Attach the Left Door Panel(E)&Right Door Panel(F) to the Left Side Panel(B)&Right Side Panel(C) using Screw(1) and Hinge (15) with Allen Key(11).

4.2) Attach Door Knob(10) to the Left Door Panel(E)&Right Door Panel(F) using Bolt(3) with Allen Key(11).

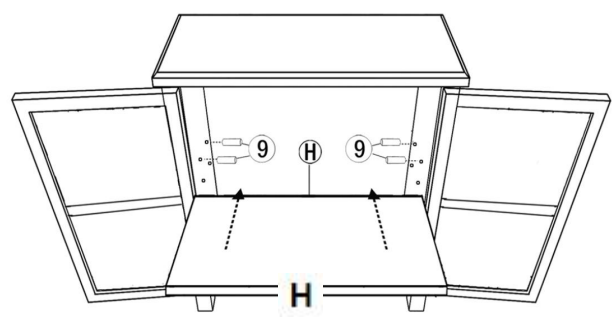
4.3) Attach Washer (16) to Left Door Panel(E)&Right Door Panel(F) with Bolt(5).

Step 5

5.1



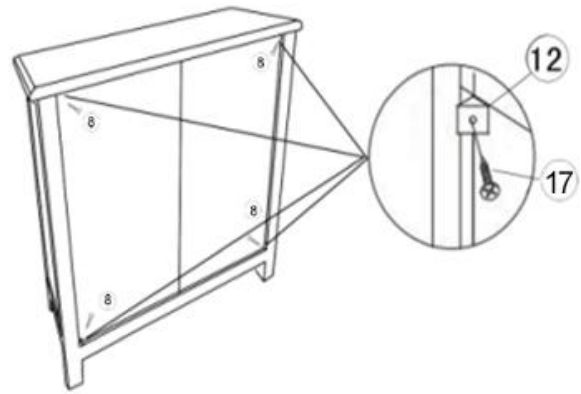
5.2



5.1) Insert Positioning Dowels(9) into the pre-drilled mounting positions in the inside of the Left Side Panel(B) and Right Side Panel(C).

5.2) Place the Shelf Panel(H) onto the Positioning Dowels(9).

Step 6

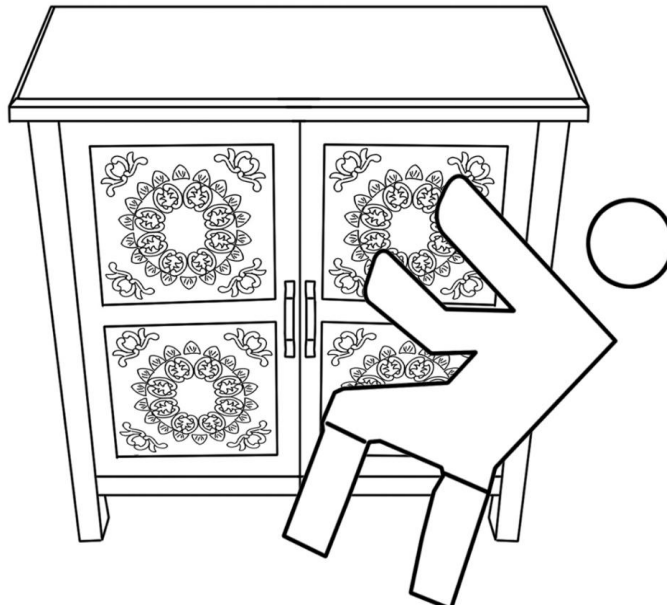


Attach Plastic Corner Support (12) to the back of the four corners of the cabinet using Screw(17)with Allen Key(11).



WARNING

Serious or fatal crushing injuries can occur from tipping furniture.
To help prevent tip-over: ALWAYS secure this furniture to the wall using
the Cabinet Restraint Device.
See product instructions for more ways to help prevent furniture tip-over.

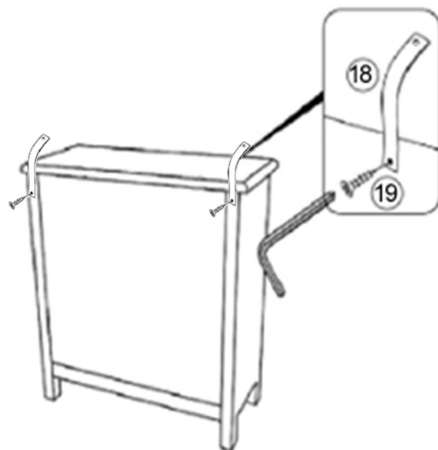


Usage For Cabinet Restraint Device:

To Secure Cabinet against wall, attach Restraint Strap(18) to wall and product.

Instructions:

Step 7

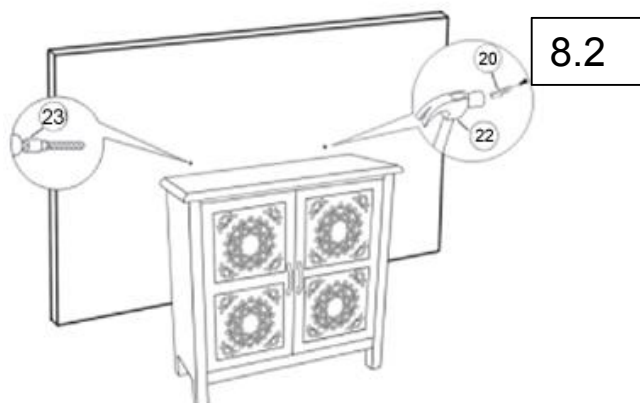


Turn the Cabinet so the back faces you.

Attach Restraint Strap(18) to the side of Left Side Panel(B)& Right Side Panel(C)using Screw (19) with Allen Key(11).

Step 8

8.1



8.2

8.1) Drill two holes on wall with Power Drill(23).

You can mark these points in two ways as below:

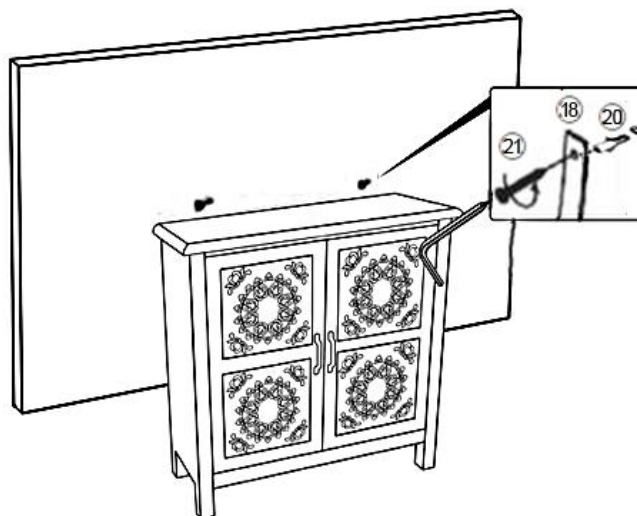
1) Move the Cabinet back to the wall.

Note: The restraint strap need to be secured to solid, load bearing surface. Please use a Stud Finder(not supplied) if needed to locate the Wall Frame.

2) Measure the height of Restraint Strap (18) with ruler/measuring tape and mark on wall to keep them accurate and same height.

8.2) Insert Wall Anchor (20) into drilled holes on wall with Hammer(22).

Step 9

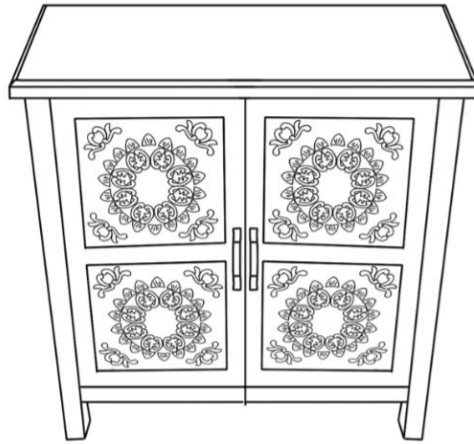


Attach Restraint Strap (18) to Wall Anchor (20) using Screws(21) with Allen Key(11) .

Move Cabinet to the wall.

The Cabinet Restraint Device is installed.











Step 10



Your Cabinet is ready for use.

Caution: This Cabinet can only be used on a flat, level surface.

Care & Maintenance

-  Do not put hot items directly on furniture surface
 -  Do not clean furniture with harsh cleansers or polish.
 -  Do not place furniture under direct sunlight.
 -  Do not place furniture near heating or cooling vents.
 -  Do not write on furniture without a padded barrier to protect the surface.
 -  Do not place furniture outside . For indoor use only .
 -  Not for commercial use. For residential use only .
 -  Stains may be removed with mild soap solution and damp cloth.
 -  Children should not climb or jump on the furniture.
-
-  Dust and pick-up spills using a clean, non-colored, lint-free cloth .